



US00D358972S

# United States Patent [19]

[11] Patent Number: **Des. 358,972**

**Libman**

[45] Date of Patent: **\*\* Jun. 6, 1995**

[54] **ATTACHMENT BRACKET FOR A PIVOTAL TOOL HANDLE**

4,280,247	7/1981	Burzen et al.	190/115
4,364,150	12/1982	Remington	190/115
4,516,361	5/1985	Gringer	51/392

[75] Inventor: **Robert J. Libman**, Champaign, Ill.

*Primary Examiner*—Terry A. Wallace

[73] Assignee: **The Libman Company**, Arcola, Ill.

*Assistant Examiner*—Philip Hyder

[\*\*] Term: **14 Years**

*Attorney, Agent, or Firm*—Marshall, O'Toole, Gerstein, Murray & Borun

[21] Appl. No.: **681**

### [57] CLAIM

[22] Filed: **Oct. 22, 1992**

The ornamental design for a attachment bracket for a pivotal tool handle, as shown and described.

[52] U.S. Cl. .... **D8/107**

[58] Field of Search ..... D15/148; D8/107, 320; D24/133; 16/125, 126; 248/291; 403/119, 135, 141, 142, 122; 51/384, 393, 390; 190/115; D32/50, 51

### DESCRIPTION

### [56] References Cited

#### U.S. PATENT DOCUMENTS

D. 297,275	8/1988	Cook	D32/50
D. 320,604	10/1991	Hutchison et al.	D14/238
D. 325,454	4/1992	Schmidt	D32/51
1,562,415	11/1925	Newman	51/390
3,162,407	12/1964	Yax	248/291
3,205,520	9/1965	Trentel	248/291
3,430,742	3/1969	D'Elia et al.	16/126
4,261,078	4/1981	Edwards et al.	16/126

FIG. 1 is a top, front and left side perspective view of a attachment bracket for a pivotal tool handle showing my new design;

FIG. 2 is a top plan view thereof;

FIG. 3 is a bottom plan view thereof;

FIG. 4 is a front elevational view thereof with the rear elevational view being a mirror image thereof;

FIG. 5 is a right side elevational view thereof, taken in the direction of the arrows A—A in FIG. 4; and,

FIG. 6 is a left side elevation view thereof.

The tool head and handle shown in broken lines in the drawings is for illustrative purposes only and forms no part of the claimed design.

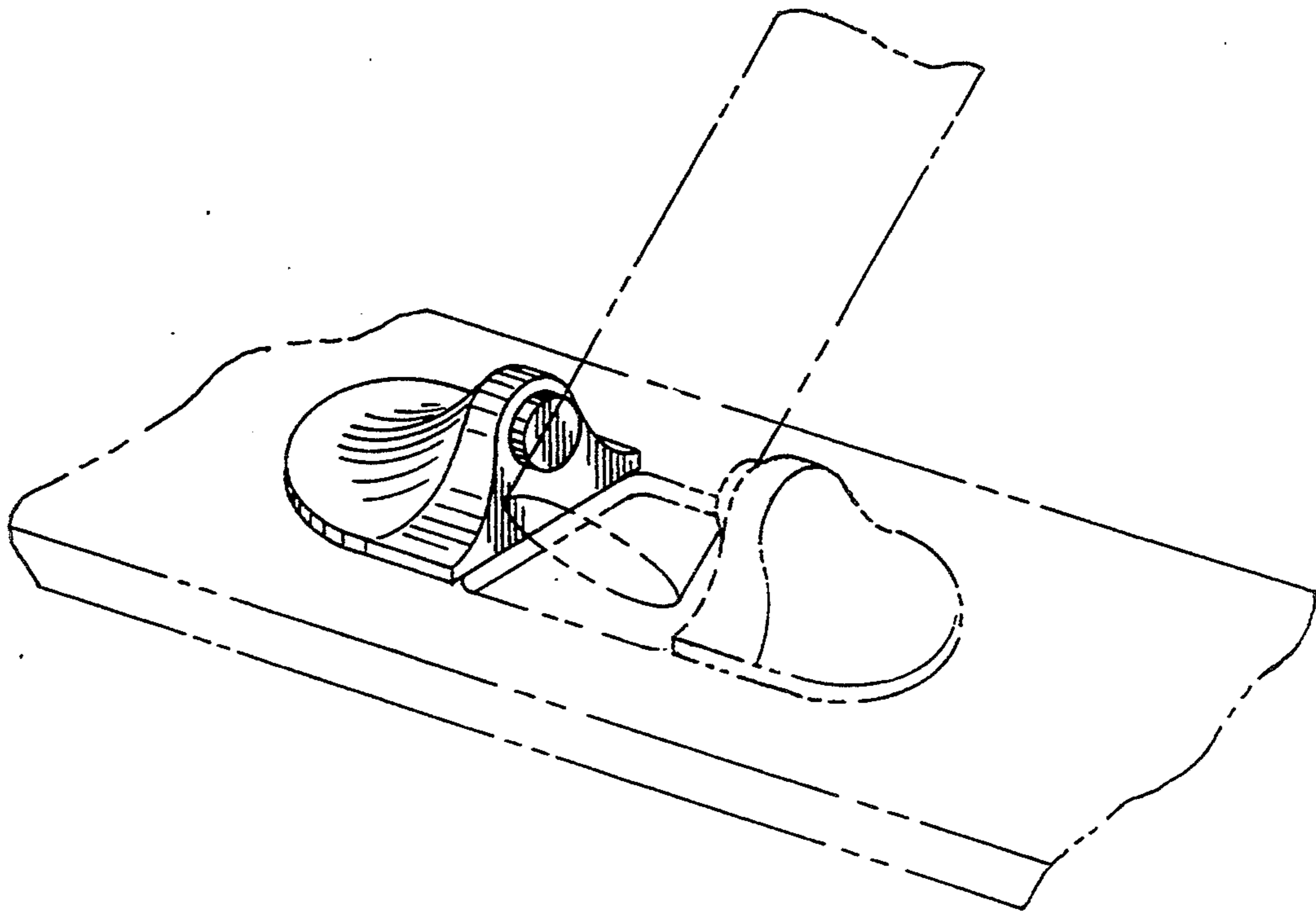


FIG. 1

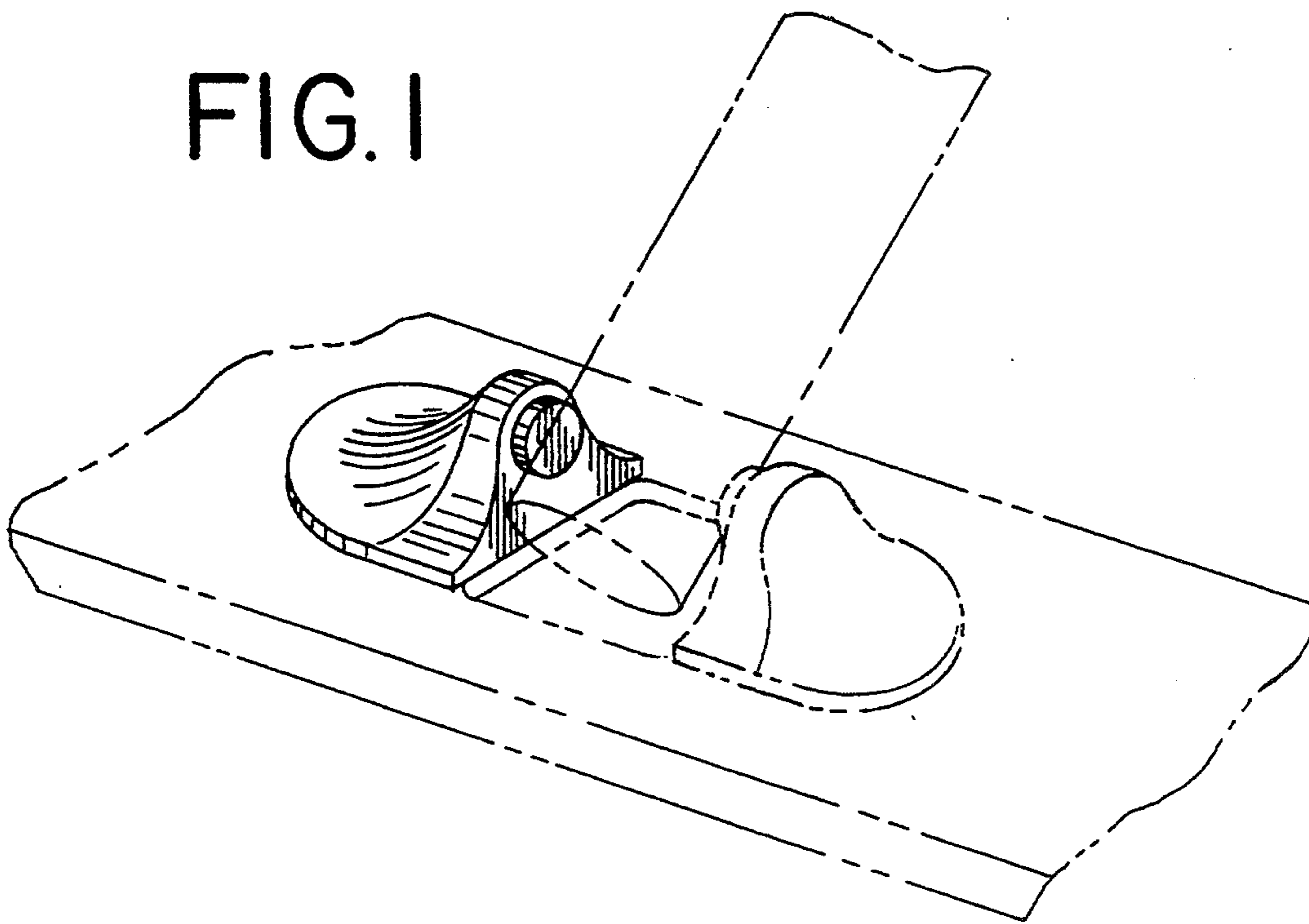


FIG. 2

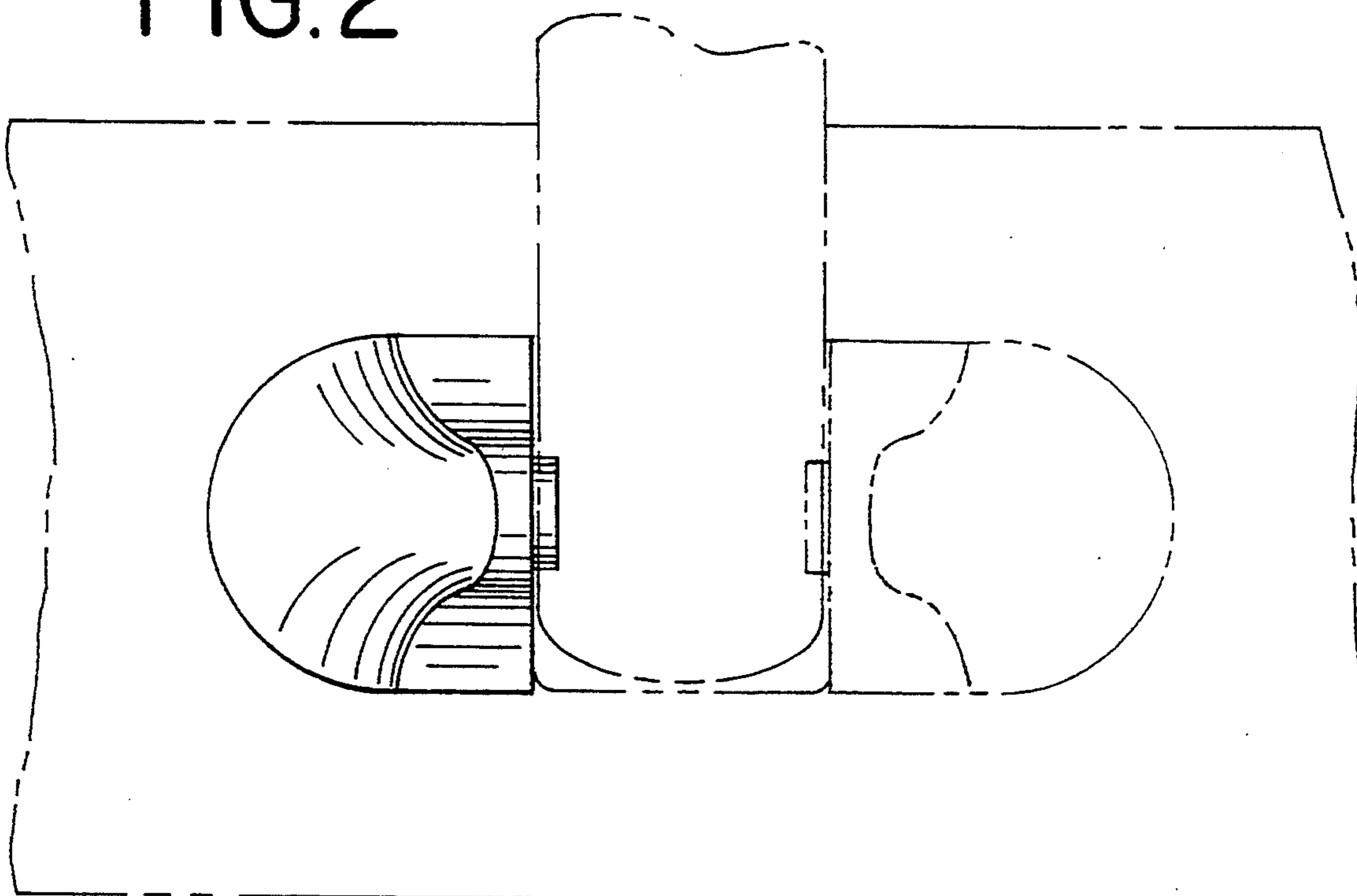


FIG.3

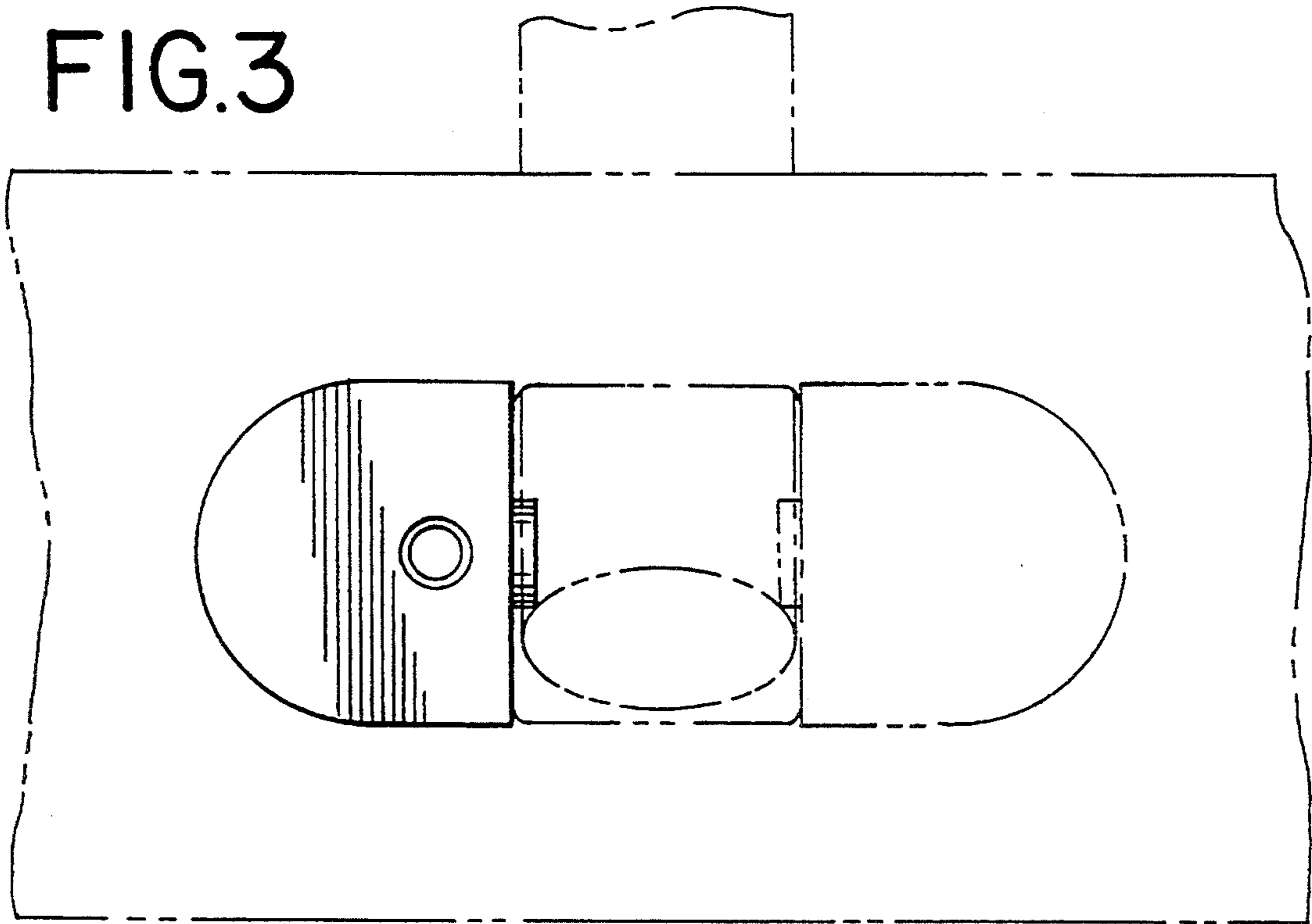


FIG. 4

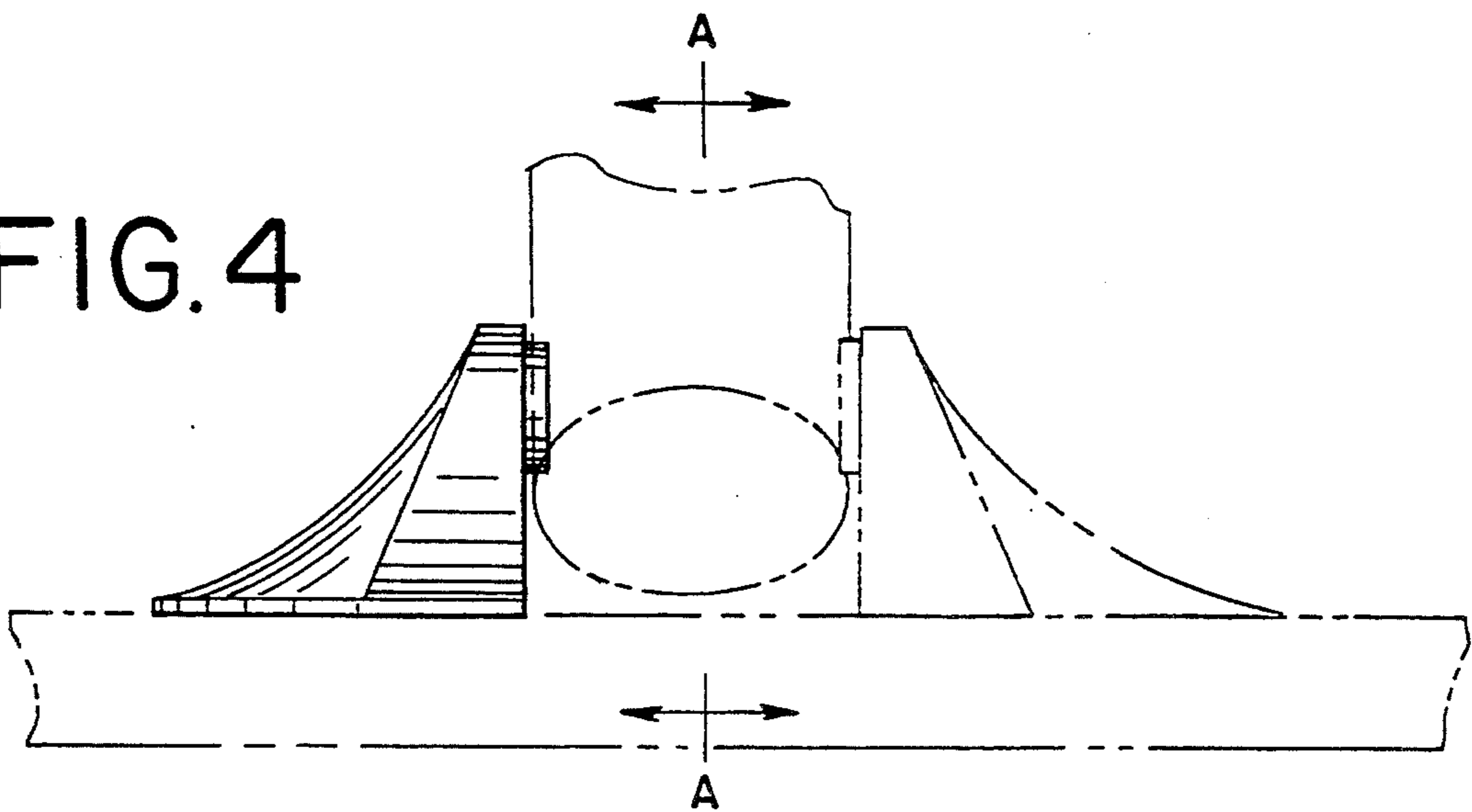


FIG. 5

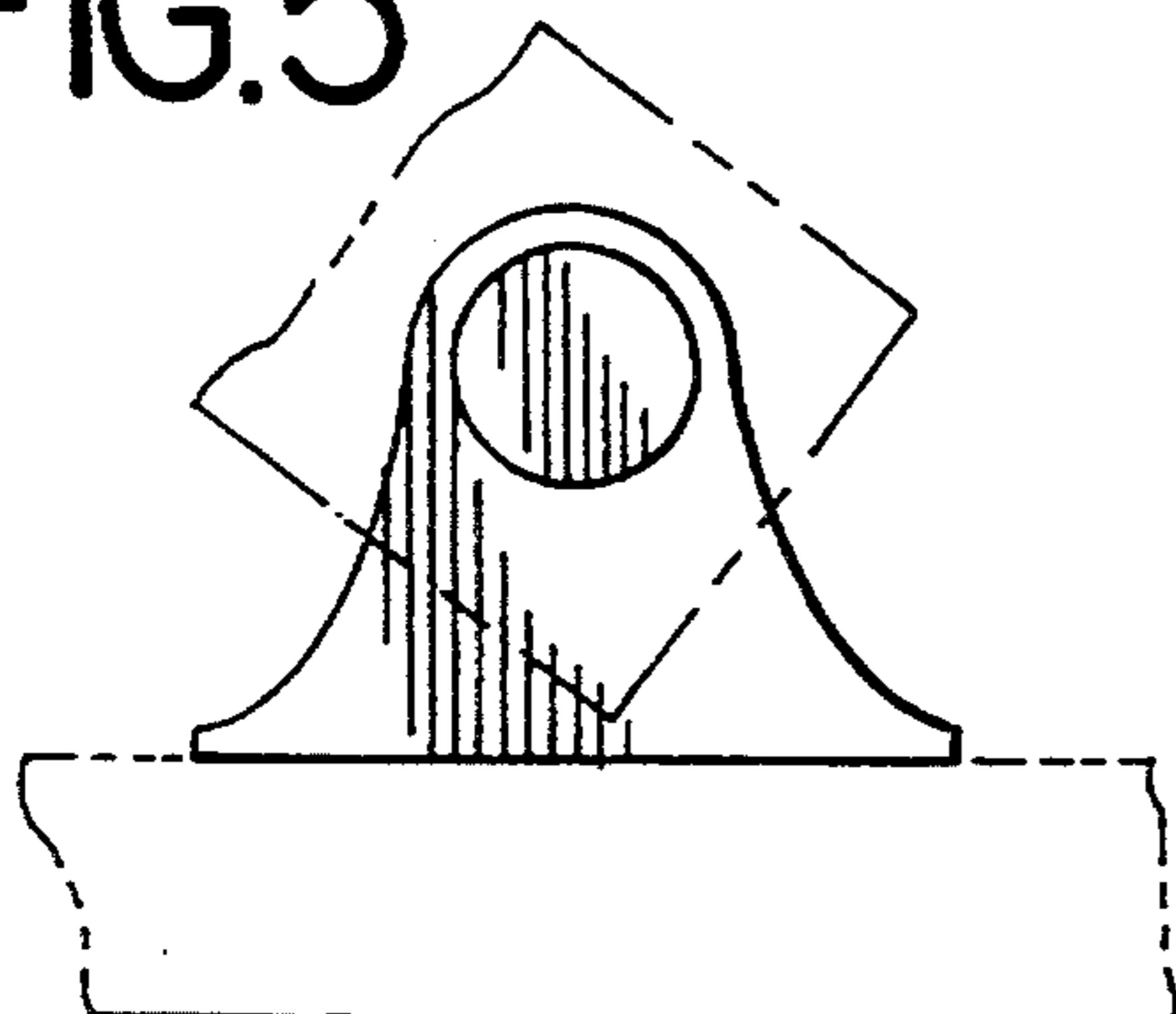


FIG. 6

