



US00D358969S

United States Patent [19]
Romanoff

[11] **Patent Number: Des. 358,969**
[45] **Date of Patent: ** Jun. 6, 1995**

[54] **PIZZA CUTTER**

[76] **Inventor: Susan L. Romanoff, 189 Paul Ct., Hillsdale, N.J. 07642**

[**] **Term: 14 Years**

[21] **Appl. No.: 17,651**

[22] **Filed: Jan. 19, 1994**

[52] **U.S. Cl. D7/672**

[58] **Field of Search D7/672-673, D7/693; 30/114, 117, 301-303, 305, 316**

[56] **References Cited**

U.S. PATENT DOCUMENTS

D. 132,314	5/1942	Melville	D7/672 X
D. 290,570	6/1987	Virk	D7/672
1,800,315	4/1931	Olson et al.	30/303
4,195,402	4/1980	Leffeiz	30/114

*Primary Examiner—Terry A. Wallace
Attorney, Agent, or Firm—Weingram & Zall*

[57] **CLAIM**

The ornamental design for pizza cutter, as shown and described.

DESCRIPTION

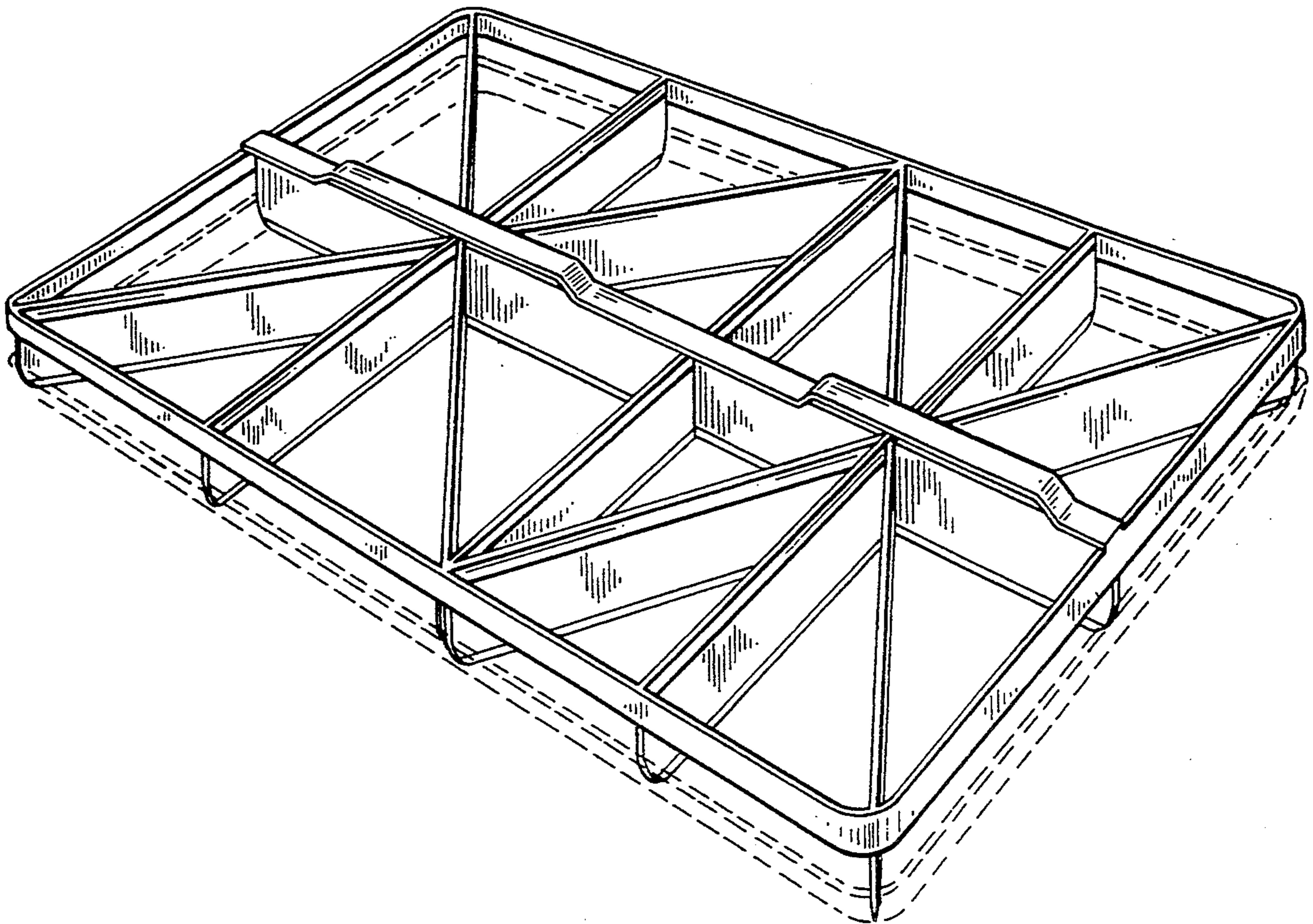
FIG. 1 is a perspective view of a pizza cutter showing my new design, the pan shown in broken lines is for illustrative purposes only and forms no part of the claimed design;

FIG. 2 is a top plan view thereof;

FIG. 3 is a bottom plan view thereof;

FIG. 4 is a front elevation thereof, the opposite side being identical; and,

FIG. 5 is a right side elevation thereof, the opposite side being identical.



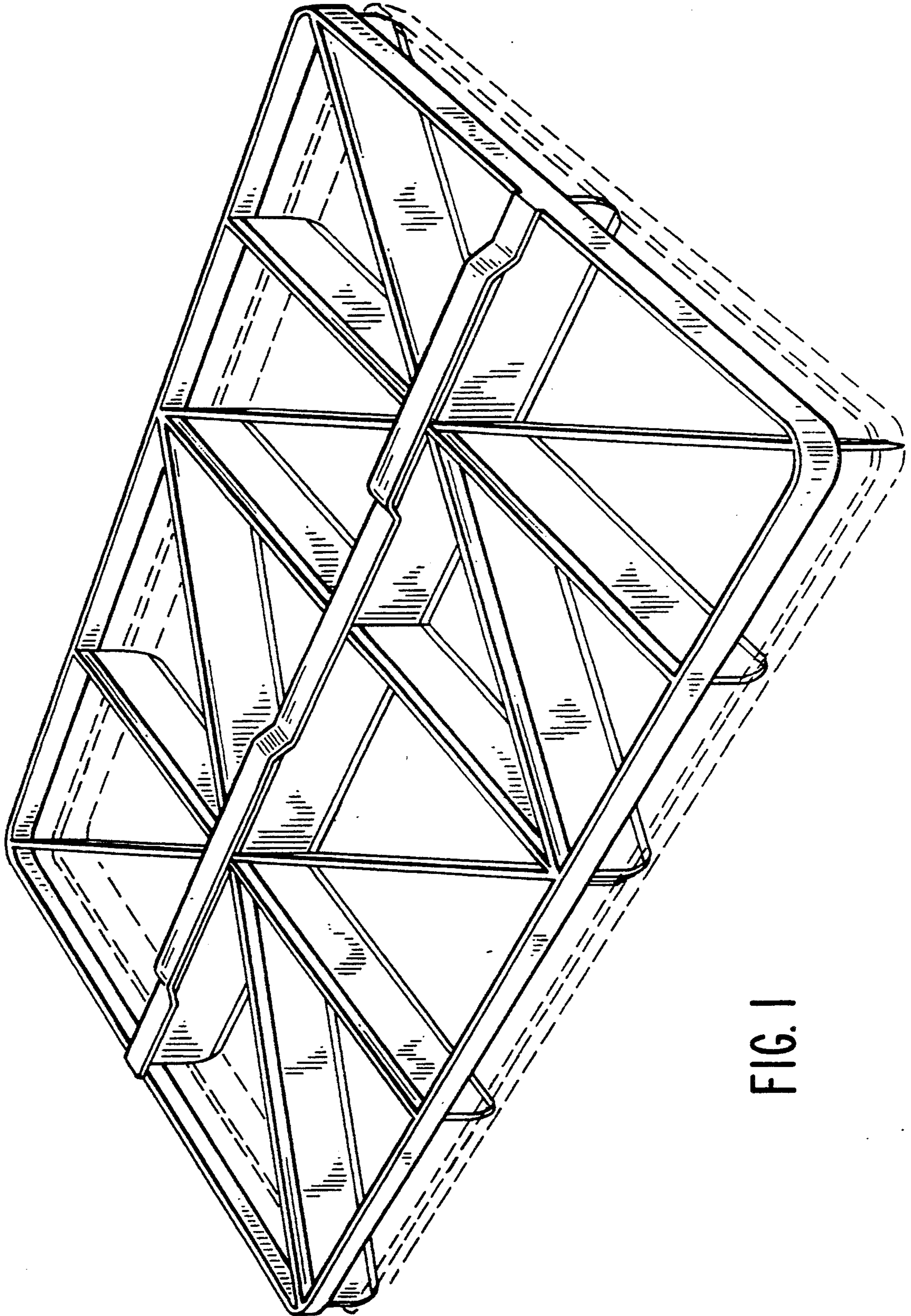


FIG. 1

FIG. 2

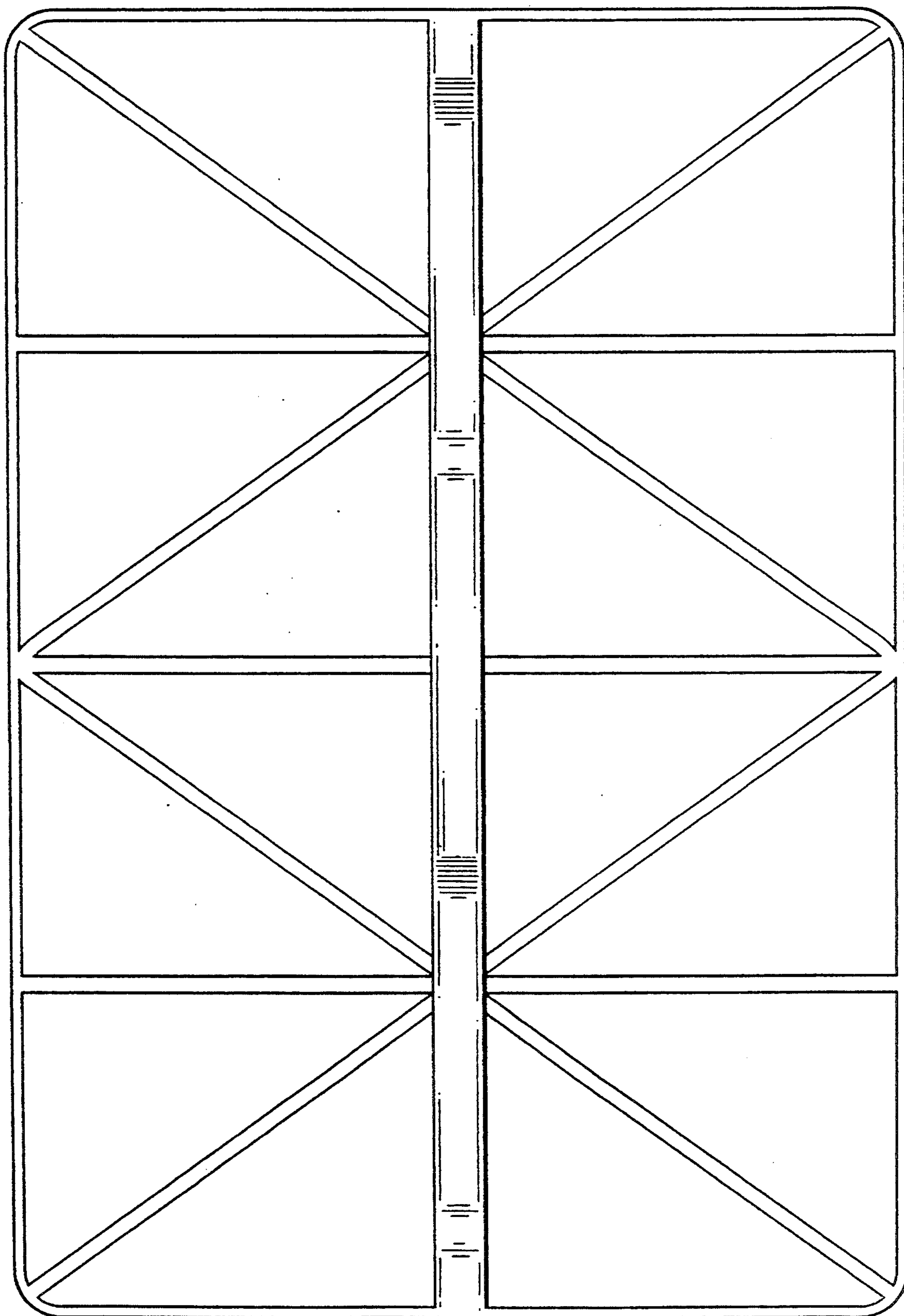
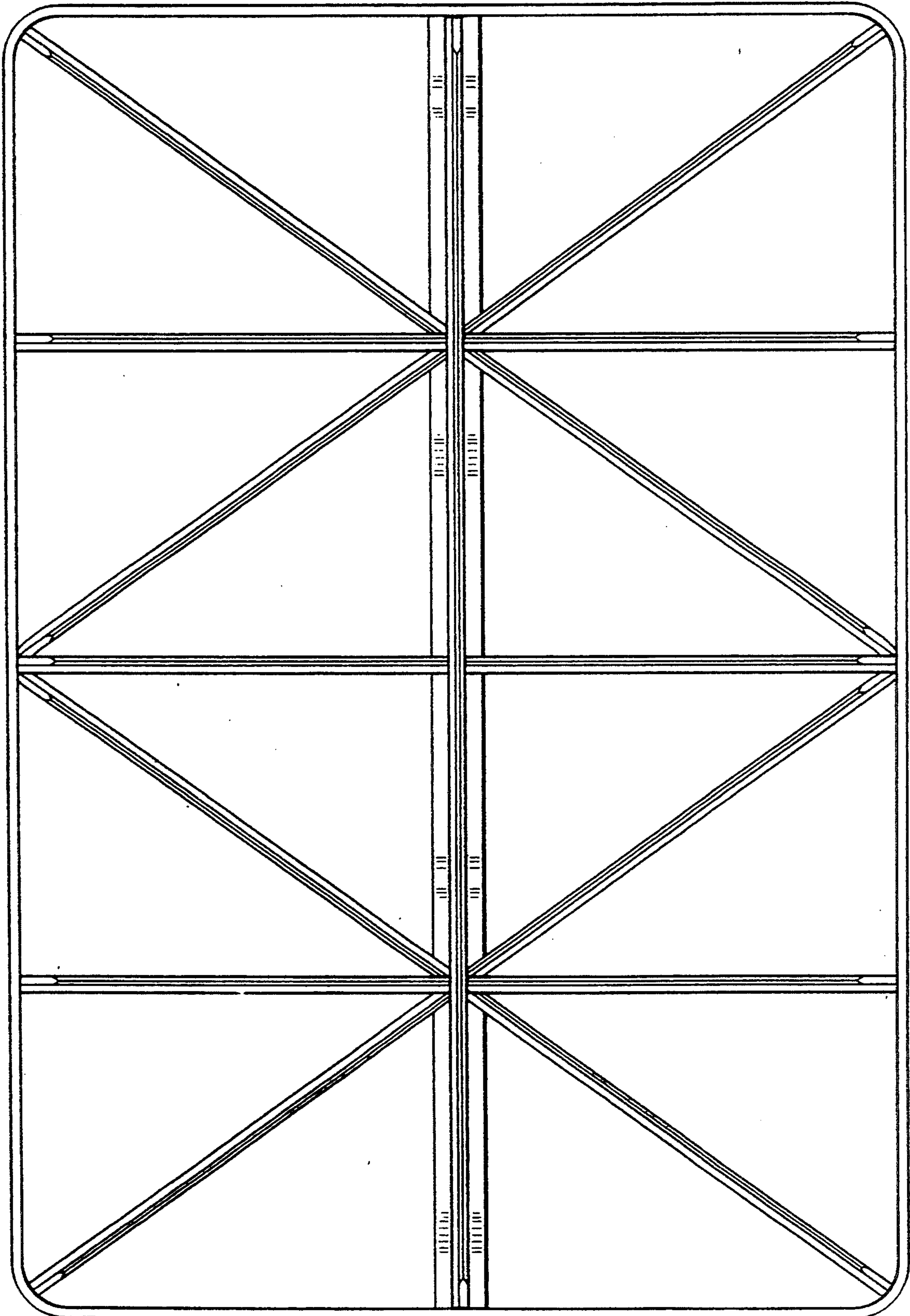


FIG. 3



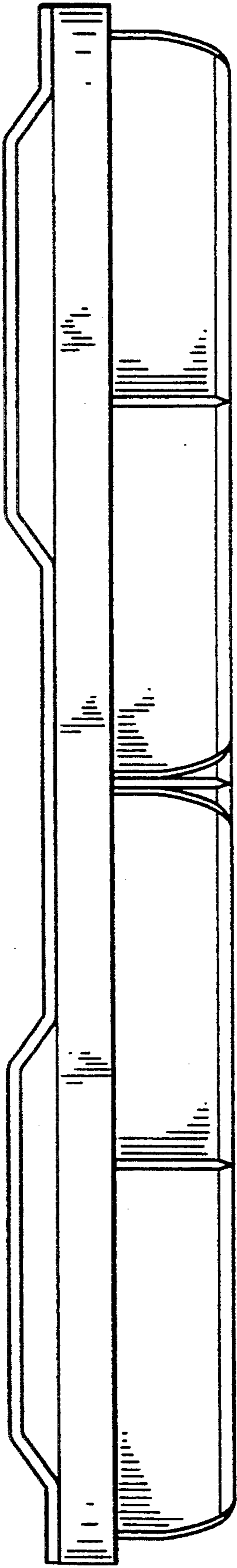


FIG. 4

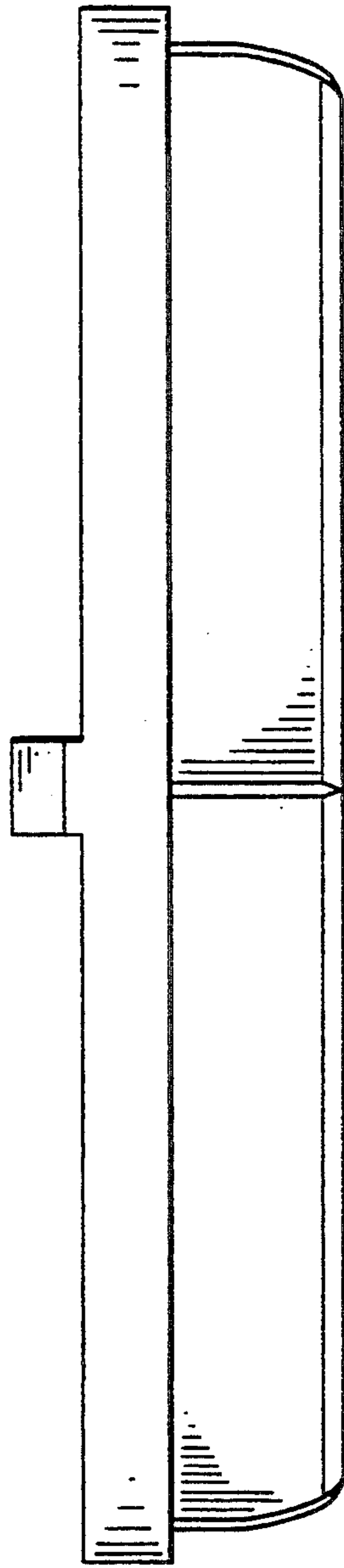


FIG. 5