



US00D358966S

United States Patent [19]

[11] Patent Number: **Des. 358,966**

Ochs

[45] Date of Patent: **** Jun. 6, 1995**

- [54] BEVERAGE CAN COOLER
- [75] Inventor: Steven J. Ochs, Fairfax, Va.
- [73] Assignee: Kooler Kraft, Inc., Fairfax, Va.
- [**] Term: 14 Years
- [21] Appl. No.: 11,410
- [22] Filed: Aug. 4, 1993

Primary Examiner—Terry A. Wallace
 Attorney, Agent, or Firm—Lowe, Price, LeBlanc & Becker

[57] CLAIM

The ornamental design for a beverage can cooler, as shown and described.

DESCRIPTION

FIG. 1 is a top, front, right side perspective view of a beverage can cooler showing my new design; FIG. 2 is a left side elevation view of an alternate embodiment of FIG. 1, the opposite side being identical; FIG. 3 is a bottom plan view of FIGS. 1 and 2; FIG. 4 is a top plan view of FIGS. 1 and 2; FIG. 5 is a front elevation view of FIG. 1, the opposite side being identical; FIG. 6 is a front elevation view of FIG. 2, the opposite side being identical; FIG. 7 is a top plan view of the lid of FIGS. 1 and 2, shown separately for clarity of illustration, the undisclosed bottom view being unornamented; and, FIG. 8 is a side elevation view of the lid of FIGS. 1 and 2, shown separately for clarity of illustration.

Related U.S. Application Data

- [63] Continuation-in-part of Ser. No. 801,832, Dec. 3, 1991, Pat. No. Des. 338,137.
- [52] U.S. Cl. D7/606
- [58] Field of Search D7/605-608; D9/307, 438, 446-447; 62/457.1, 457.3, 457.7; 220/737-739, 412

[56] References Cited

U.S. PATENT DOCUMENTS

- | | | | |
|------------|---------|---------------------|--------|
| D. 257,314 | 10/1980 | Robison et al. | D7/608 |
| D. 315,659 | 3/1991 | De Leon et al. | D7/606 |
| D. 323,267 | 1/1992 | Bidwell | D7/606 |
| D. 338,137 | 8/1993 | Ochs | D7/606 |

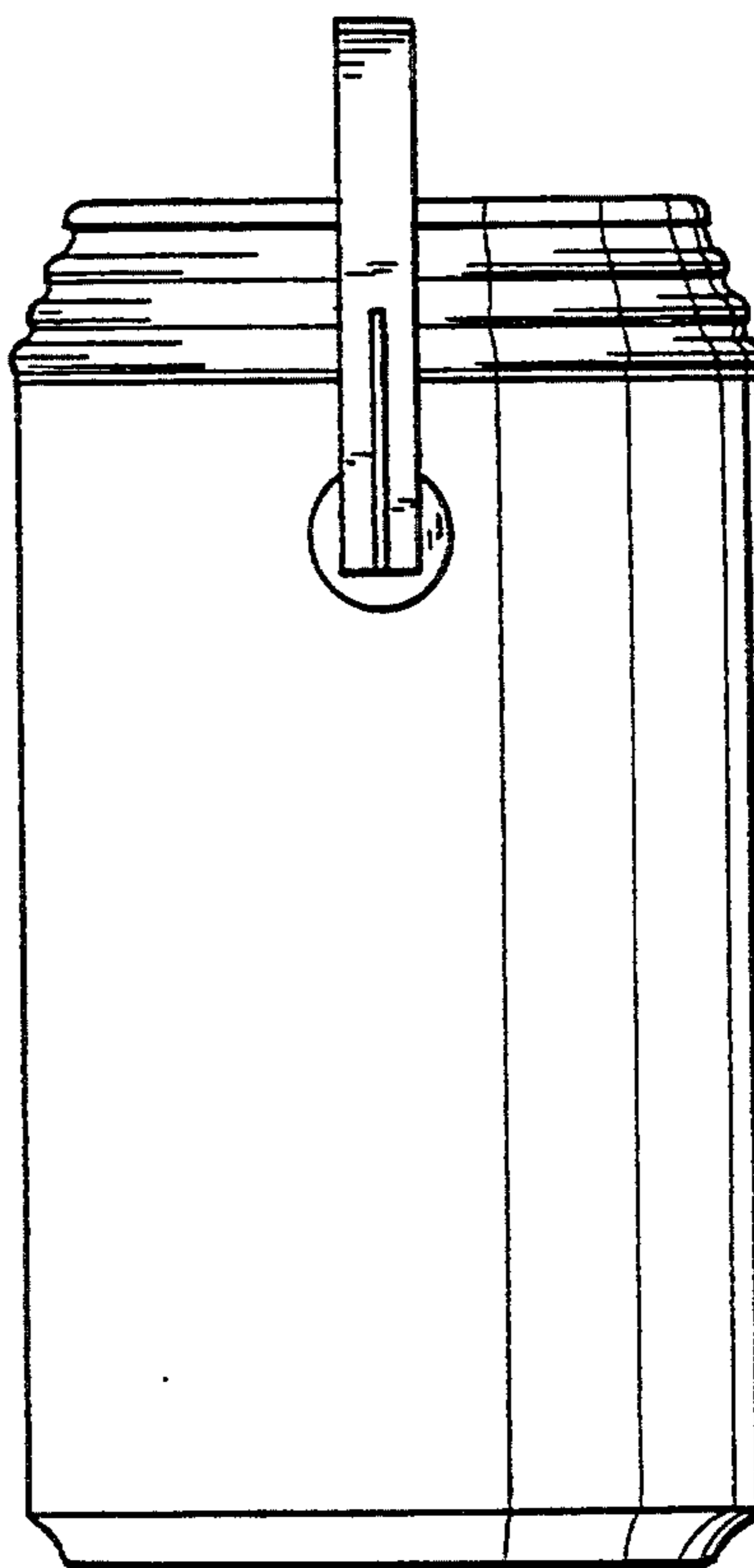
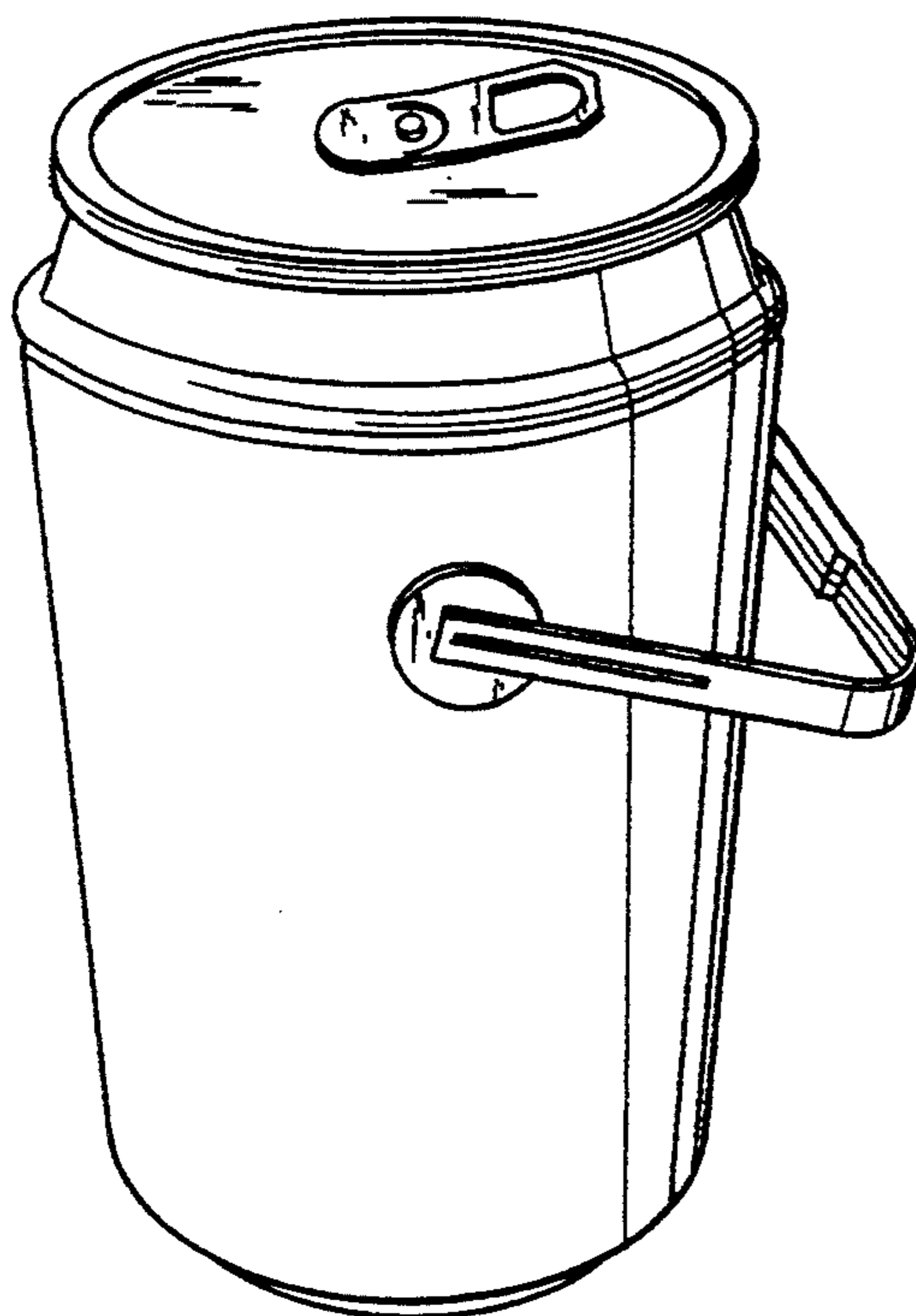


FIG. 1

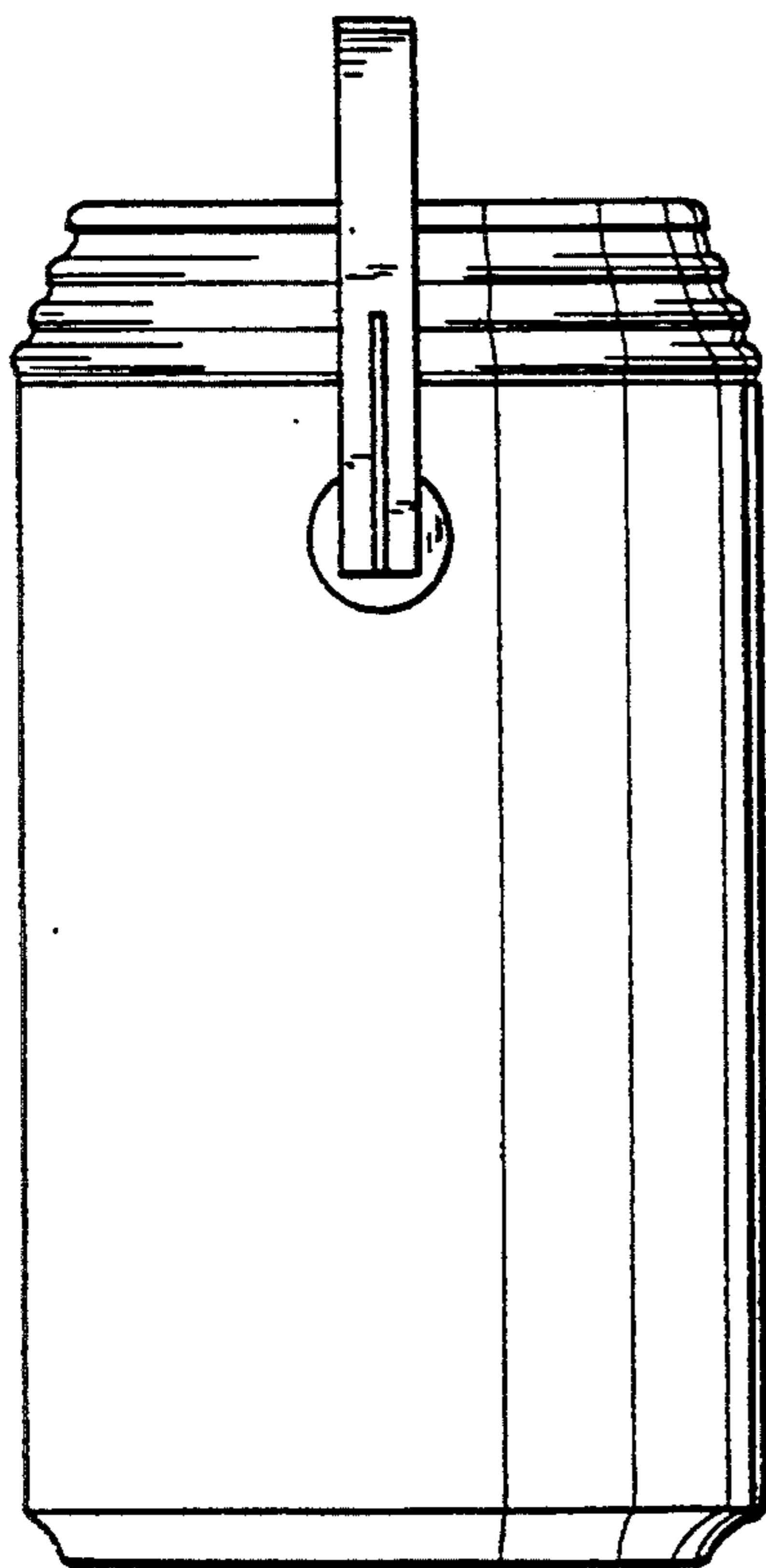
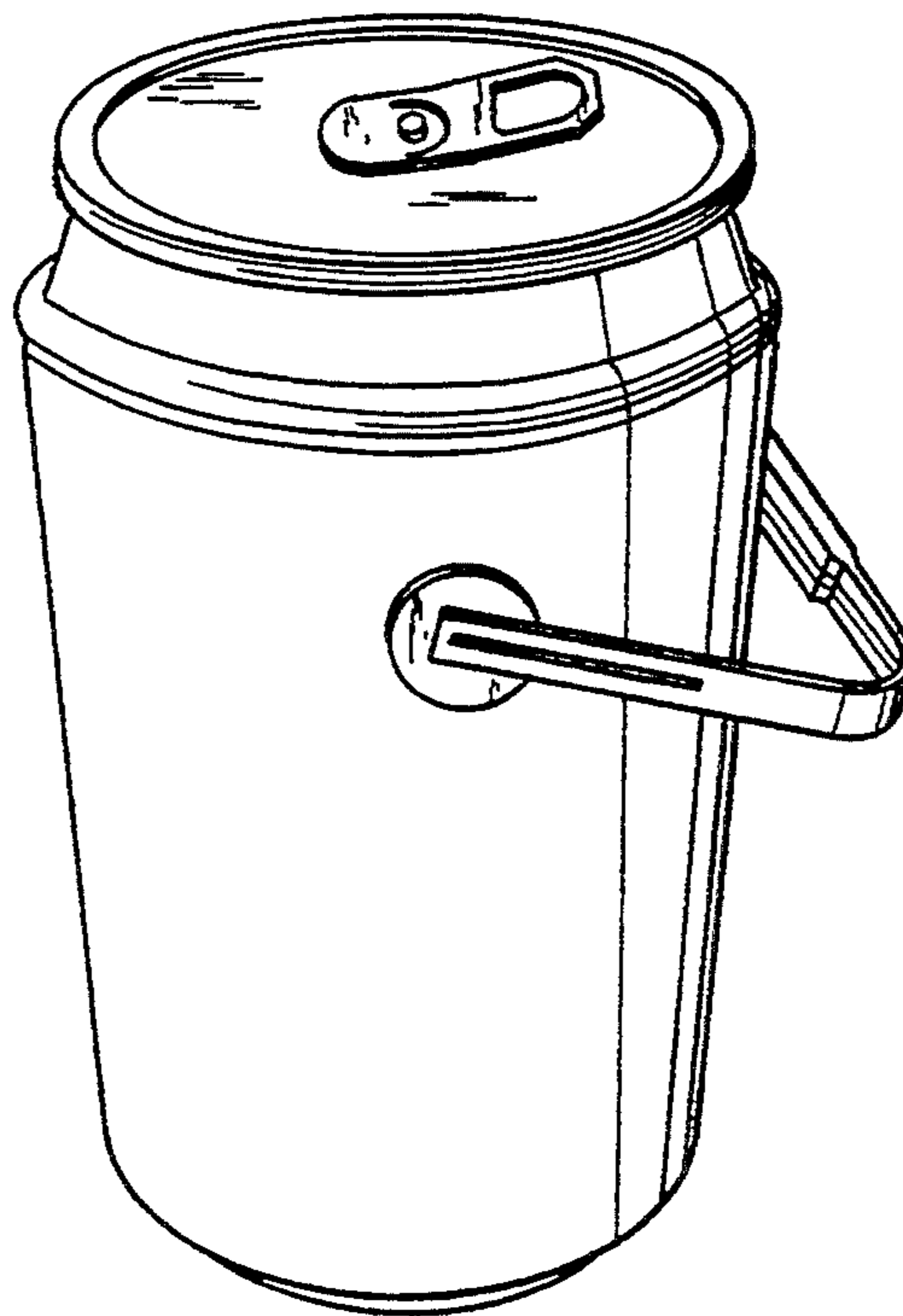


FIG. 2

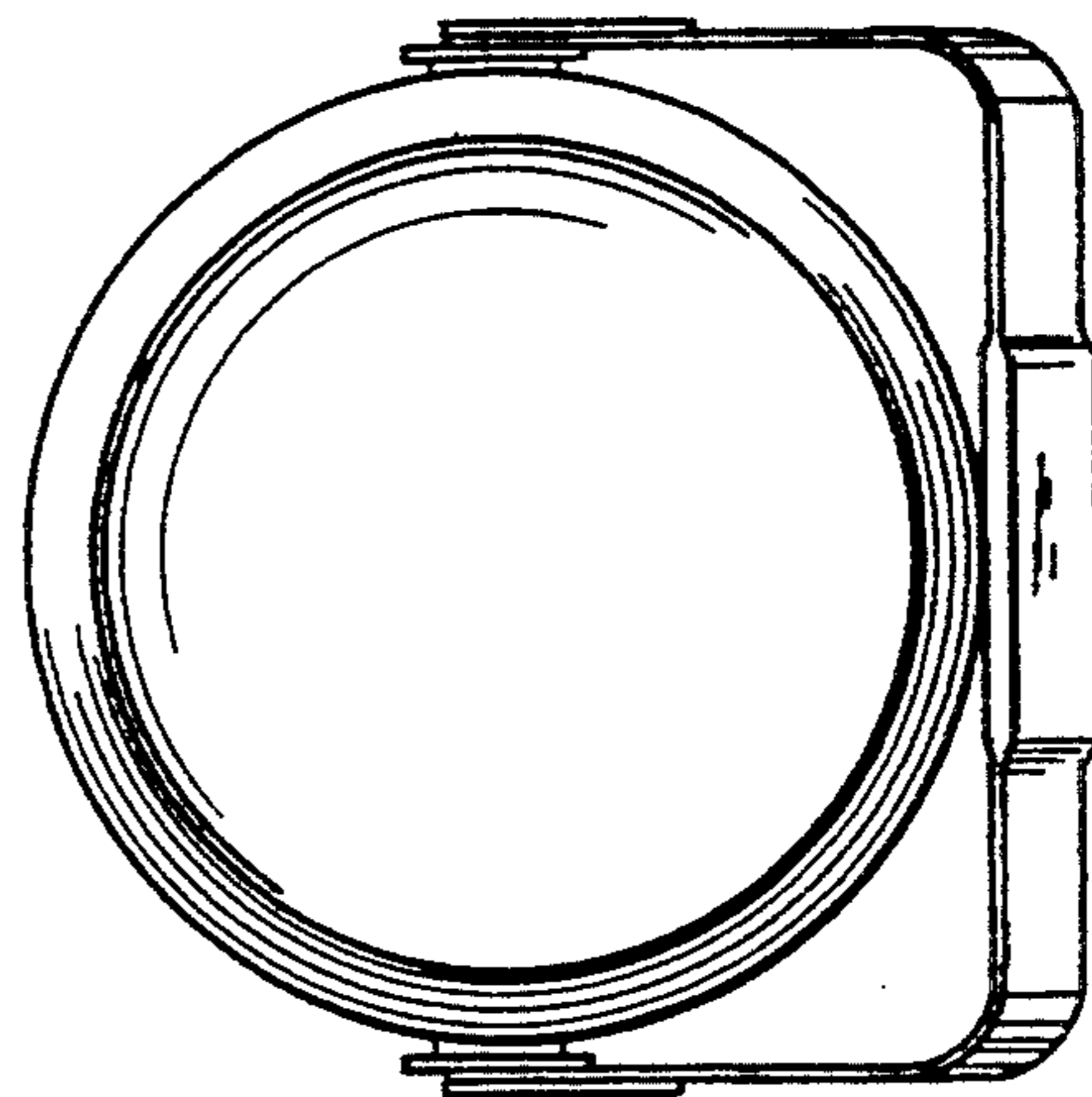


FIG. 3

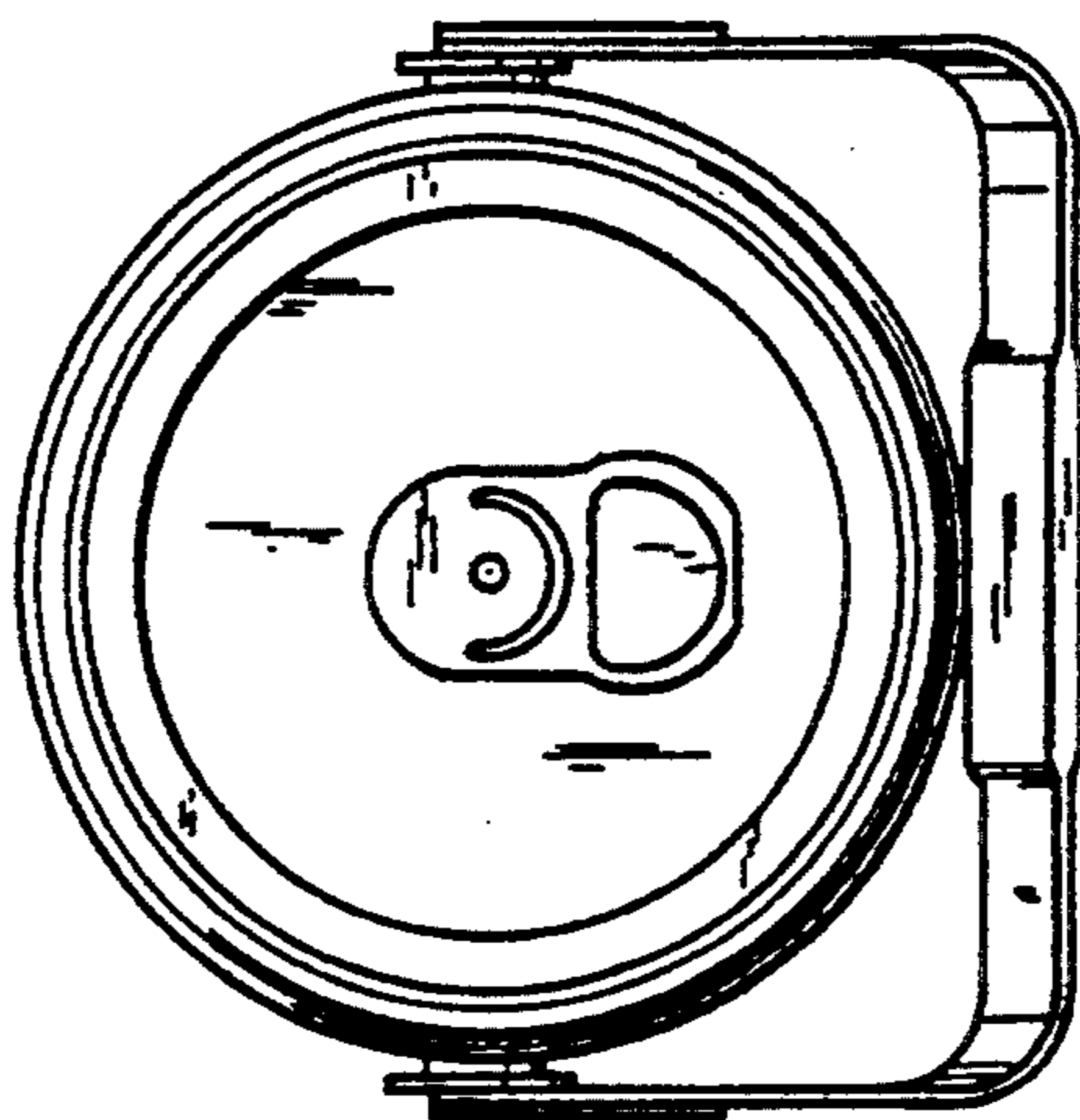


Fig. 4

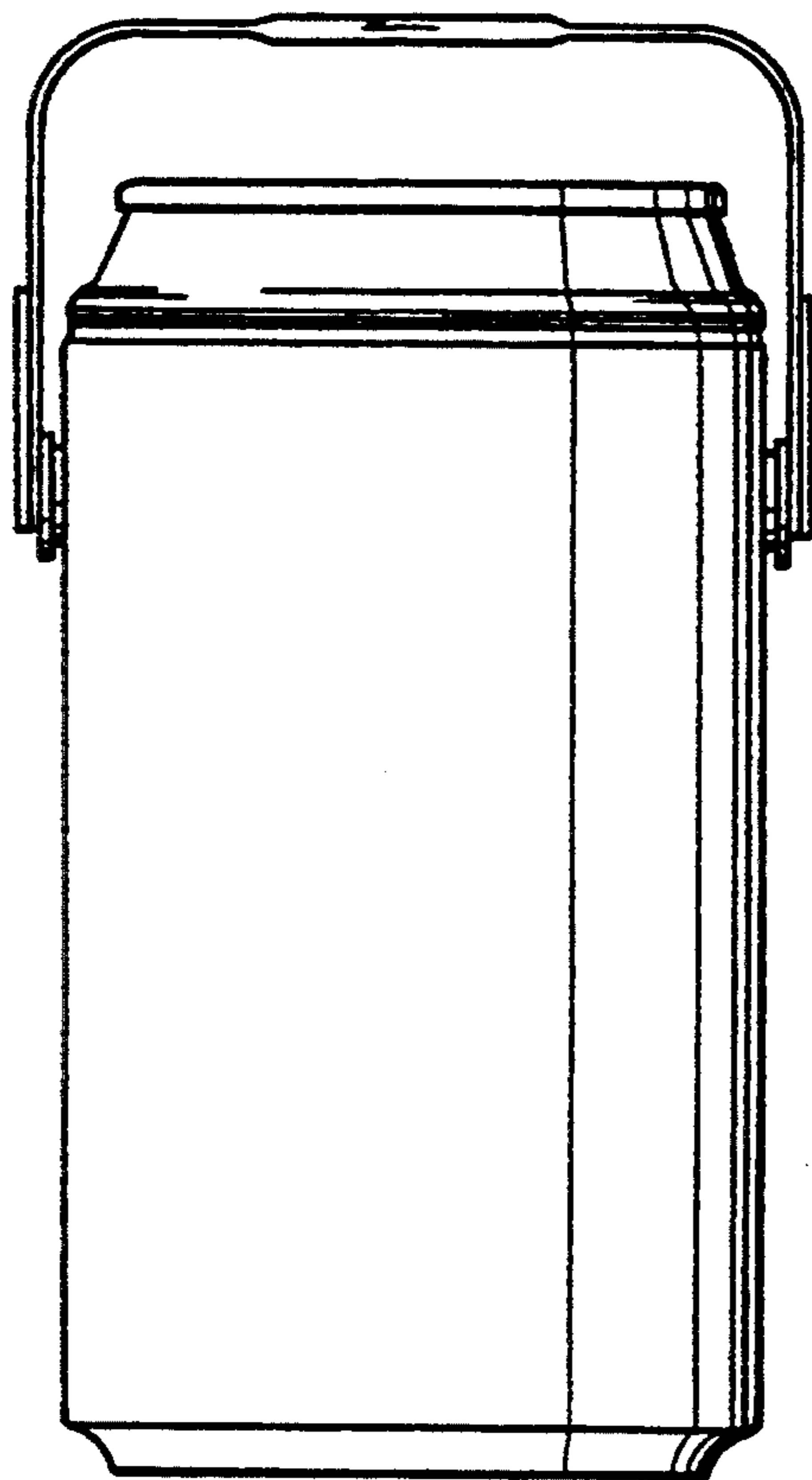


Fig. 5

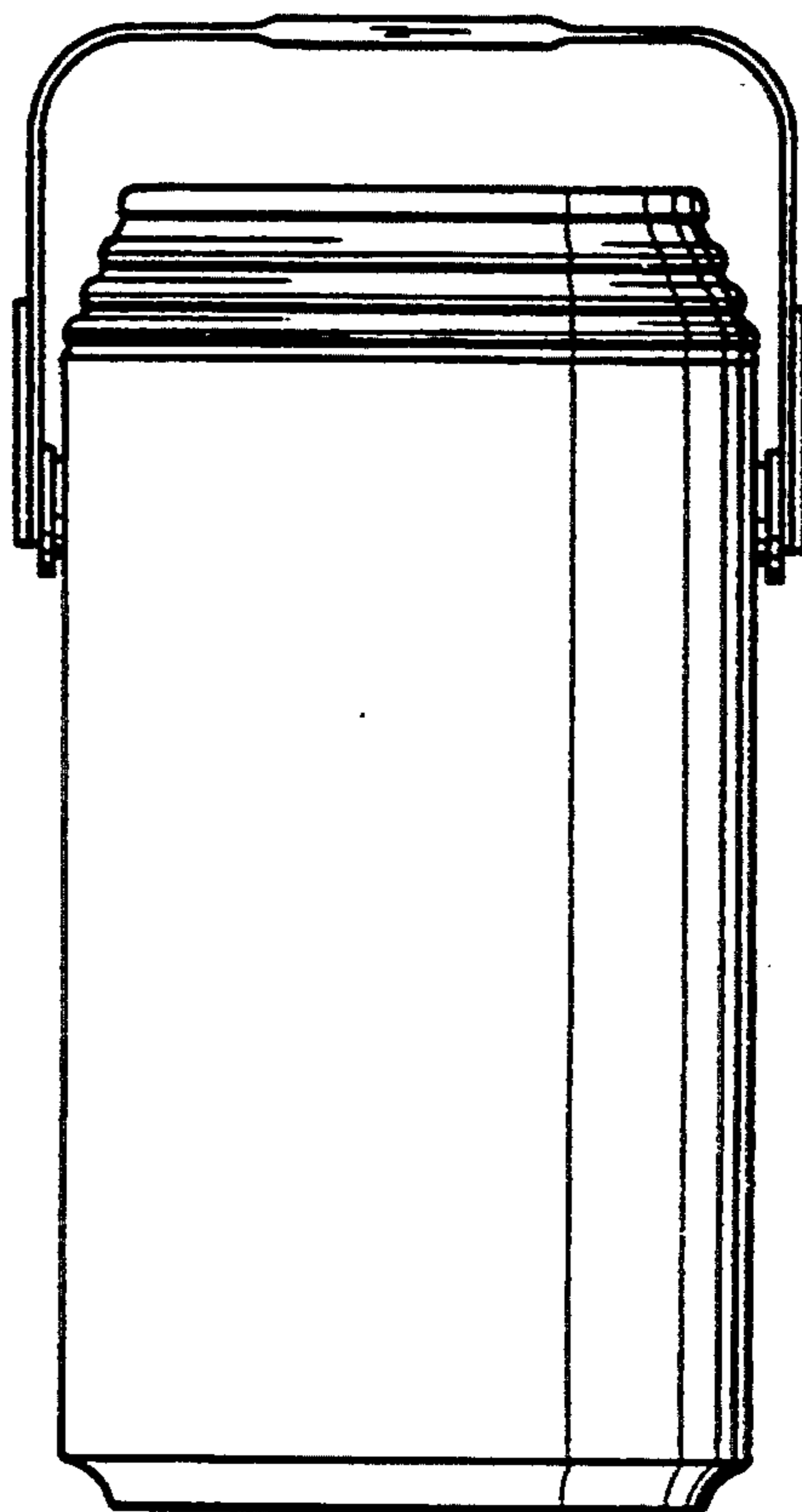


Fig. 6

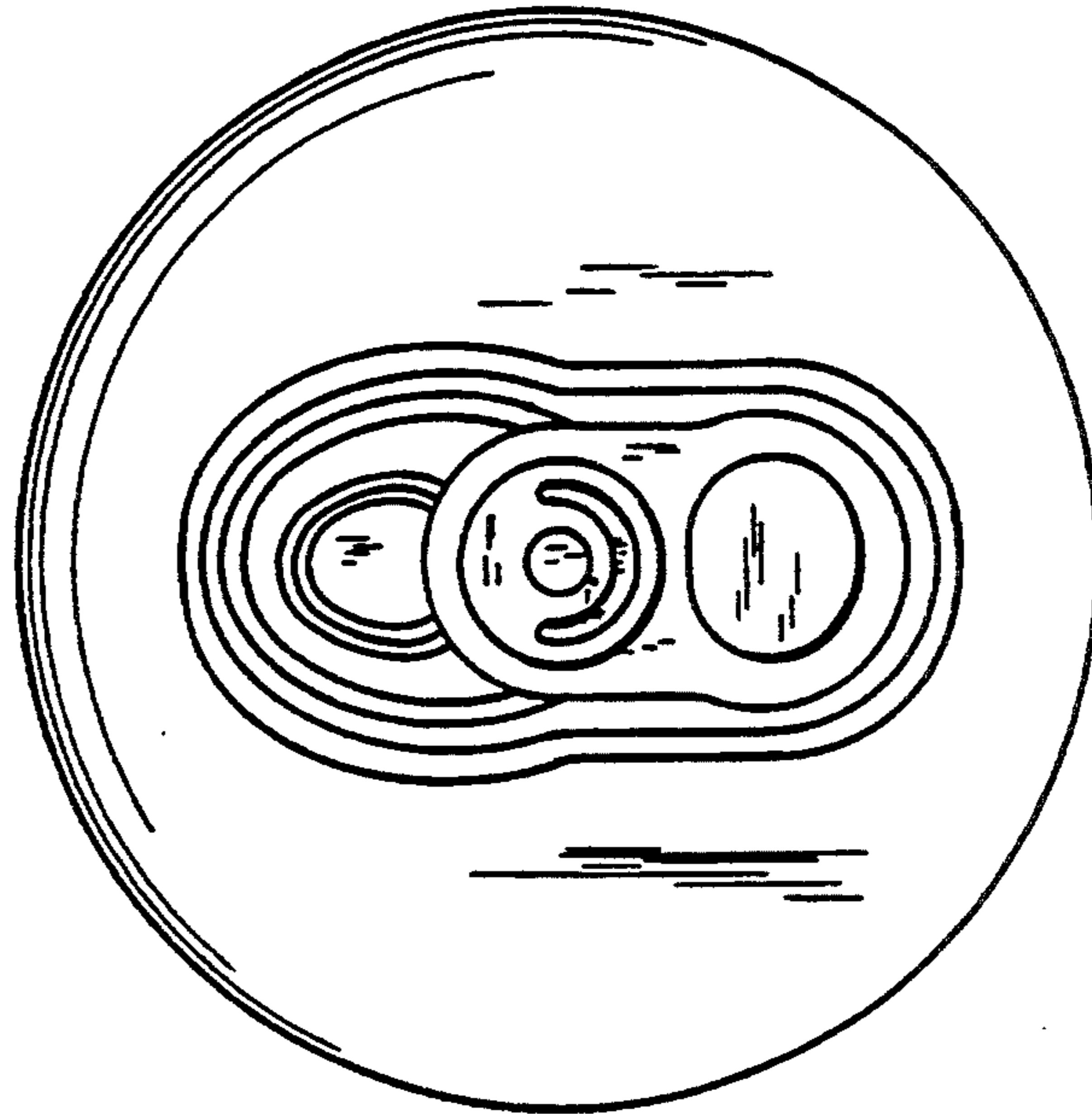


Fig. 7

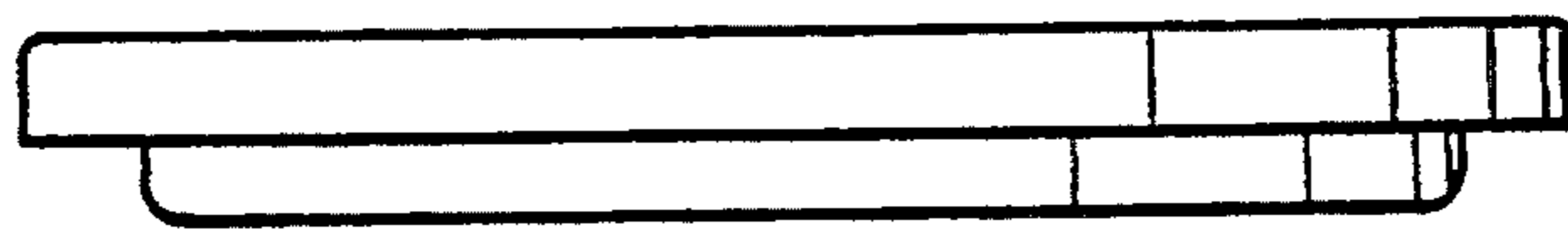


Fig. 8