



US00D358963S

# United States Patent [19]

[11] Patent Number: **Des. 358,963**

**Kaneko**

[45] Date of Patent: **\*\* Jun. 6, 1995**

[54] **BREADMAKER**

[75] Inventor: **Takuji Kaneko, Osaka, Japan**

[73] Assignee: **Funai Electric Co., Ltd., Osaka, Japan**

[\*\*] Term: **14 Years**

[21] Appl. No.: **12,252**

[22] Filed: **Aug. 26, 1993**

[30] **Foreign Application Priority Data**

May 11, 1993 [JP] Japan ..... 5-13452

[52] U.S. Cl. .... **D7/350**

[58] Field of Search ..... **D7/347-350;**  
**99/352, 353, 426, 327, 348; 219/391, 393;**  
**126/275 R, 275 E, 21 R**

[56] **References Cited**

**U.S. PATENT DOCUMENTS**

- D. 245,162 7/1977 Zimmer ..... D7/348
- D. 310,615 9/1990 Kitai et al. .... D7/348
- D. 311,848 11/1990 Mikami et al. .... D7/348
- D. 314,687 2/1991 Kim ..... D7/350
- D. 325,147 4/1992 Watanabe et al. .... D7/348

- D. 330,306 10/1992 Kim ..... D7/350
- D. 341,515 11/1993 Hamada et al. .... D7/350
- D. 341,516 11/1993 Hamada et al. .... D7/350
- D. 346,303 4/1994 Kaneko ..... D7/350
- D. 350,449 9/1994 Kaneko ..... D7/348
- D. 351,759 10/1994 Maruyama et al. .... D7/350

*Primary Examiner*—Ruth McInroy  
*Attorney, Agent, or Firm*—Lackenbach Siegel Marzullo  
Aronson & Greenspan

[57] **CLAIM**

The ornamental design for a breadmaker, as shown.

**DESCRIPTION**

FIG. 1 is a perspective view of a breadmaker showing my new design;

FIG. 2 is a reduced perspective view thereof with the cover in an open position;

FIG. 3 is a front elevational view thereof;

FIG. 4 is a rear elevational view thereof;

FIG. 5 is a left side elevational view thereof;

FIG. 6 is a right side elevational view thereof;

FIG. 7 is a top plan view thereof; and,

FIG. 8 is a bottom plan view thereof.

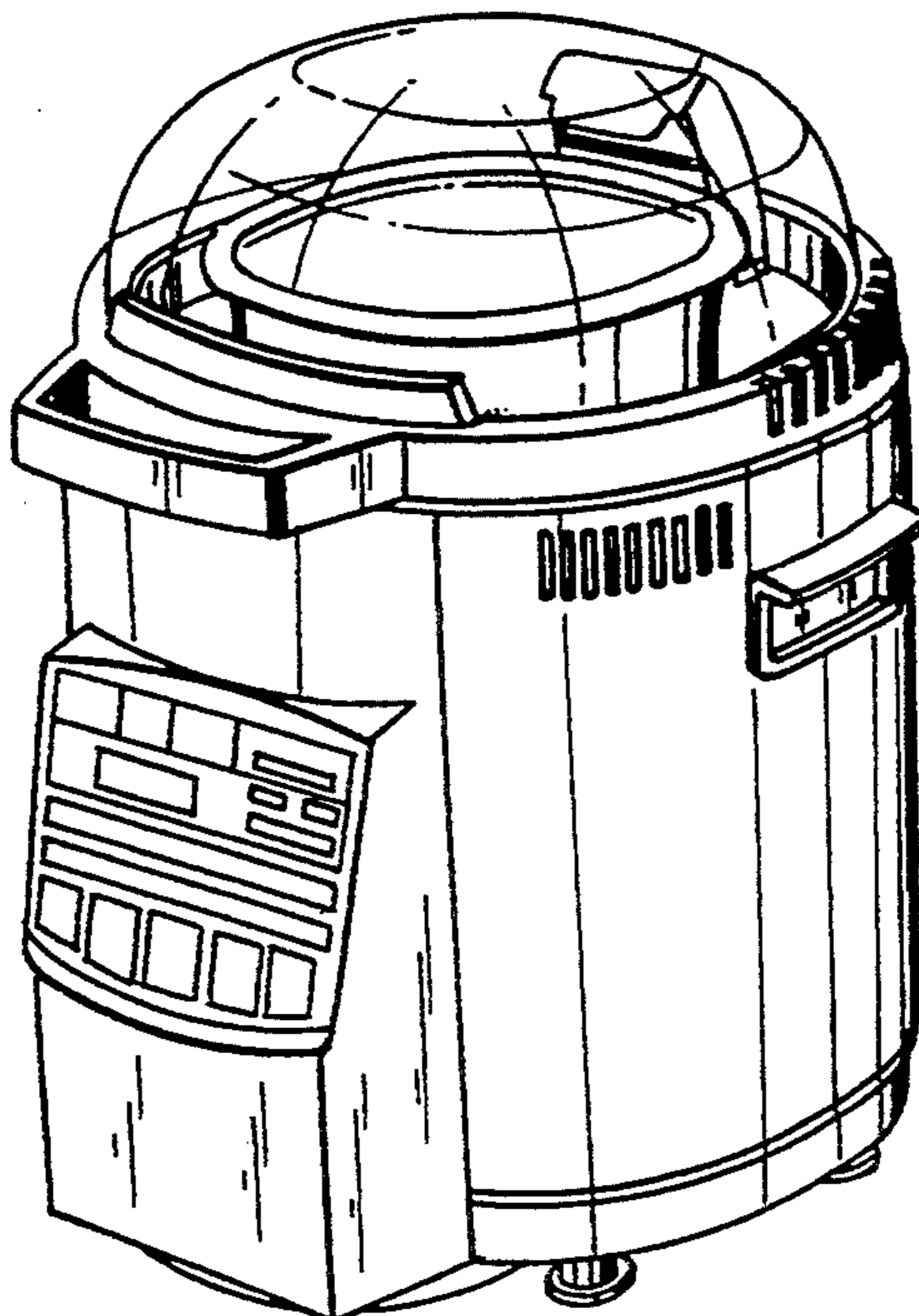


FIG. 1

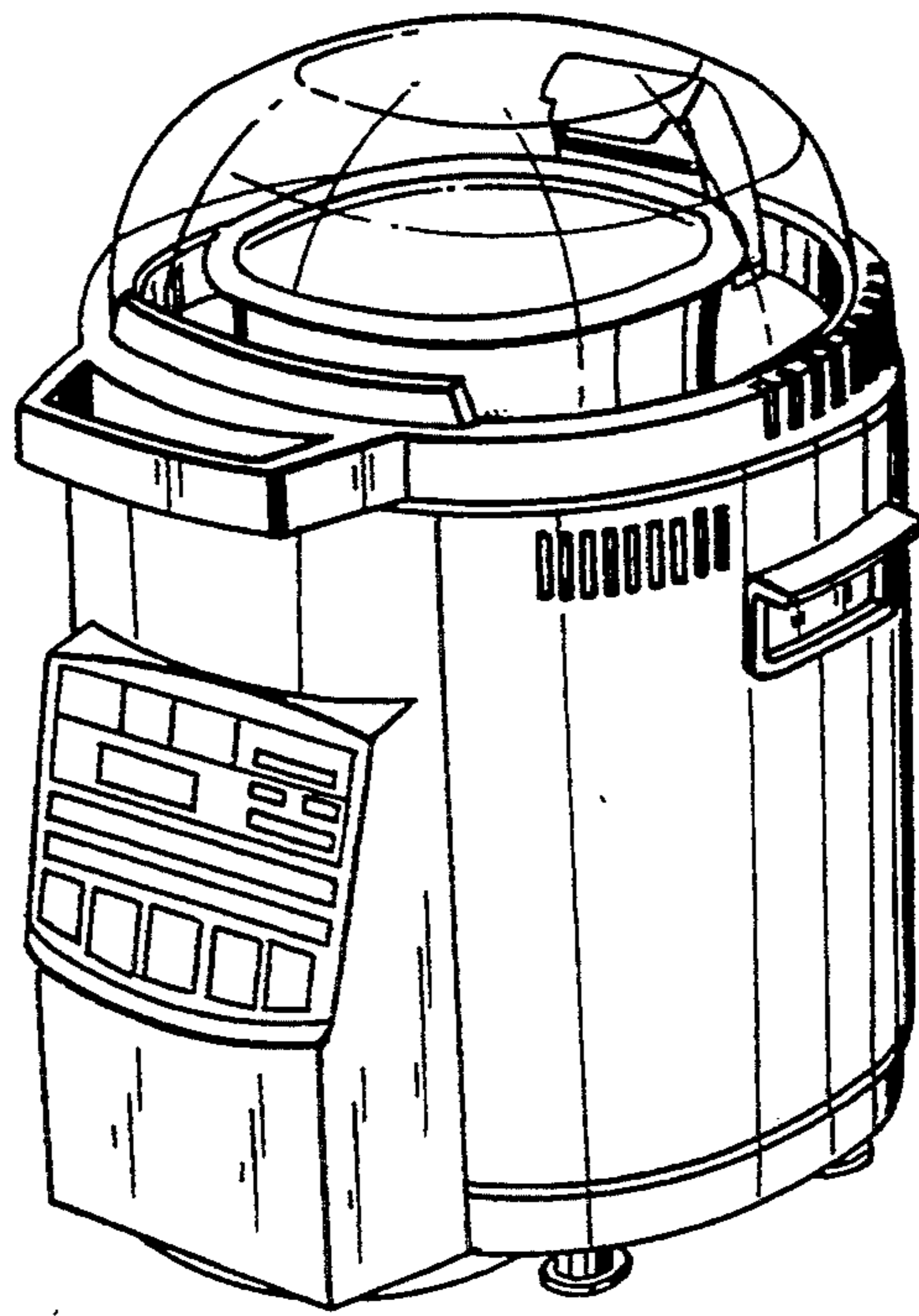


FIG. 2

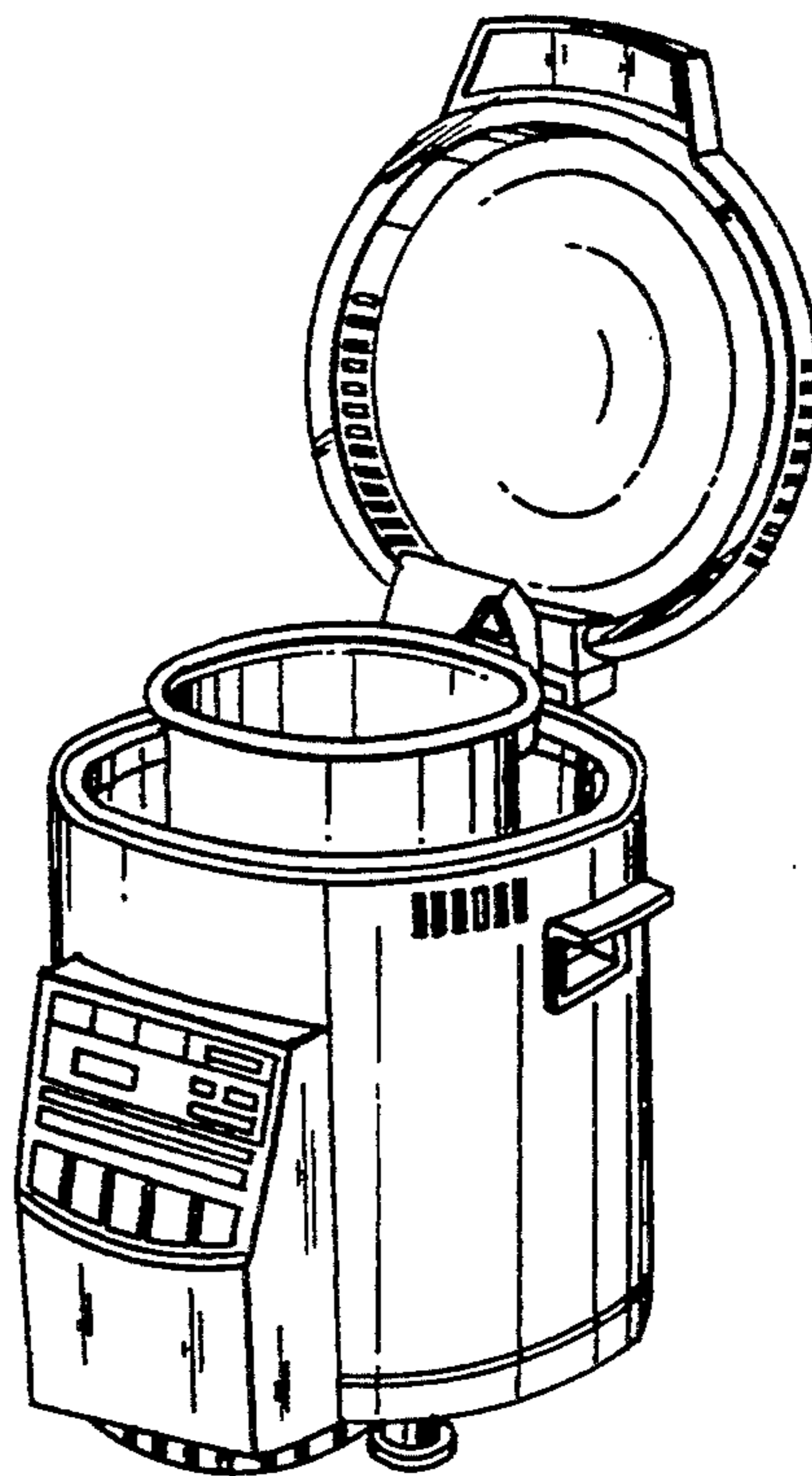


FIG. 3

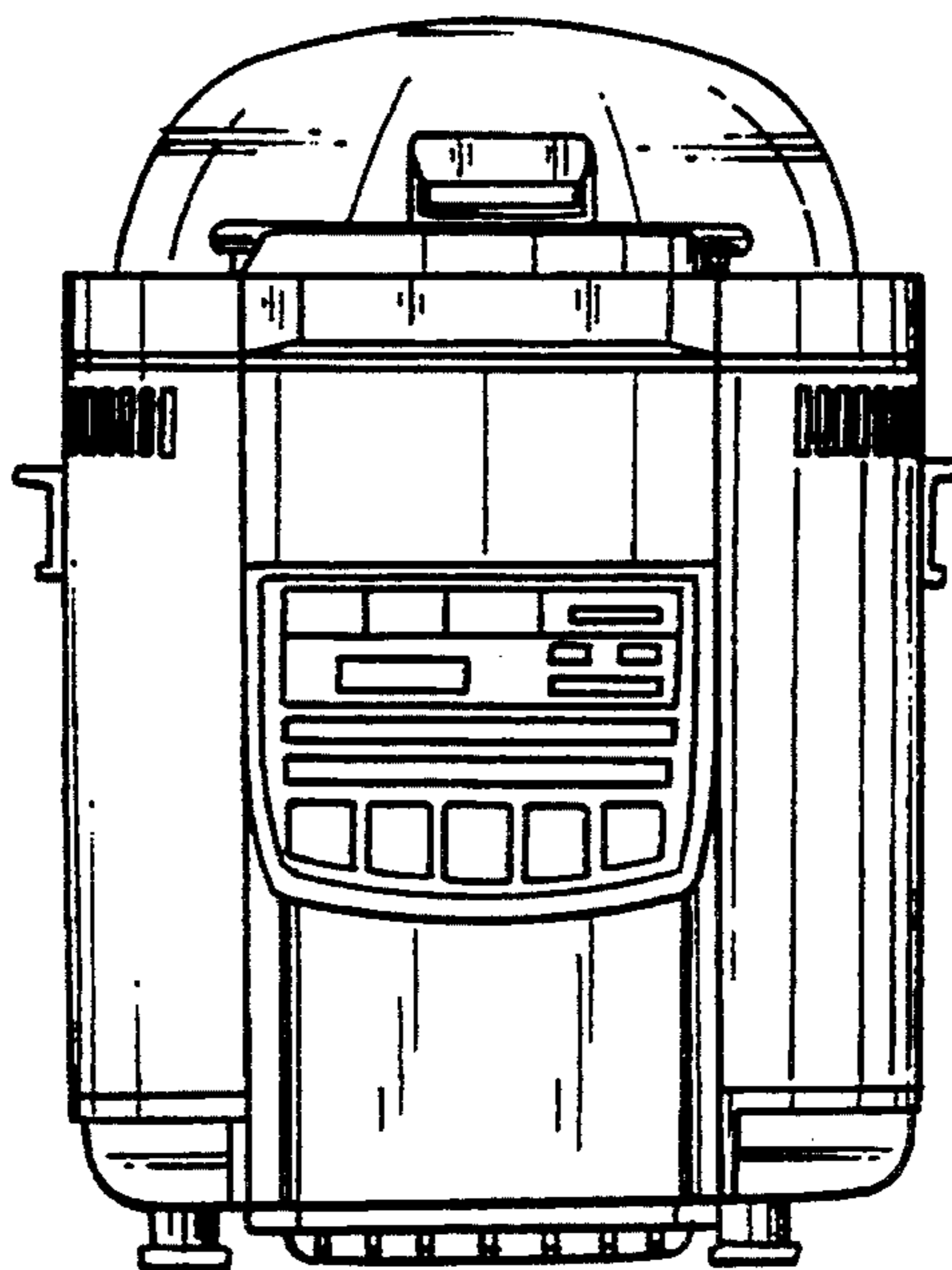


FIG. 4

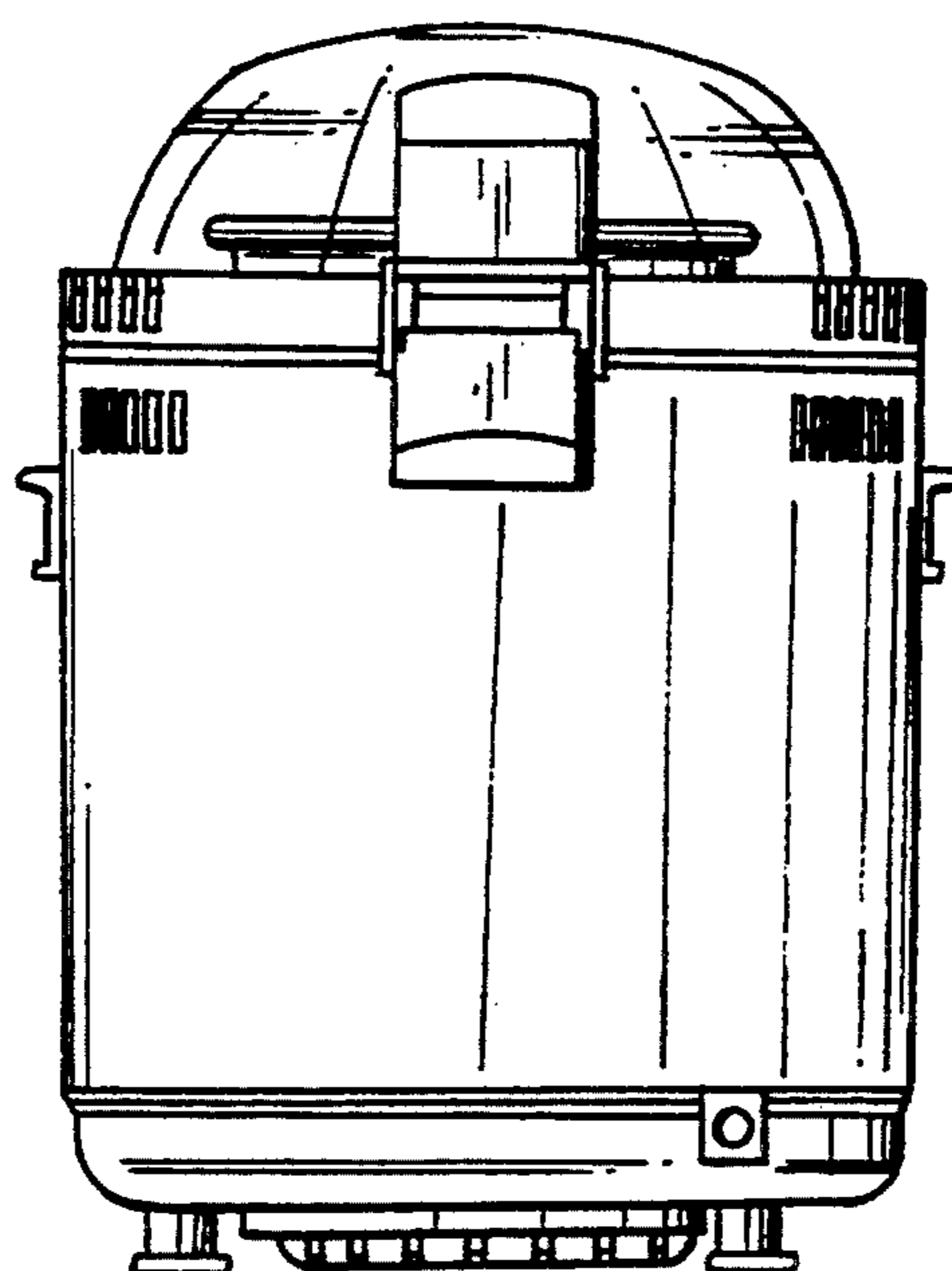


FIG. 5

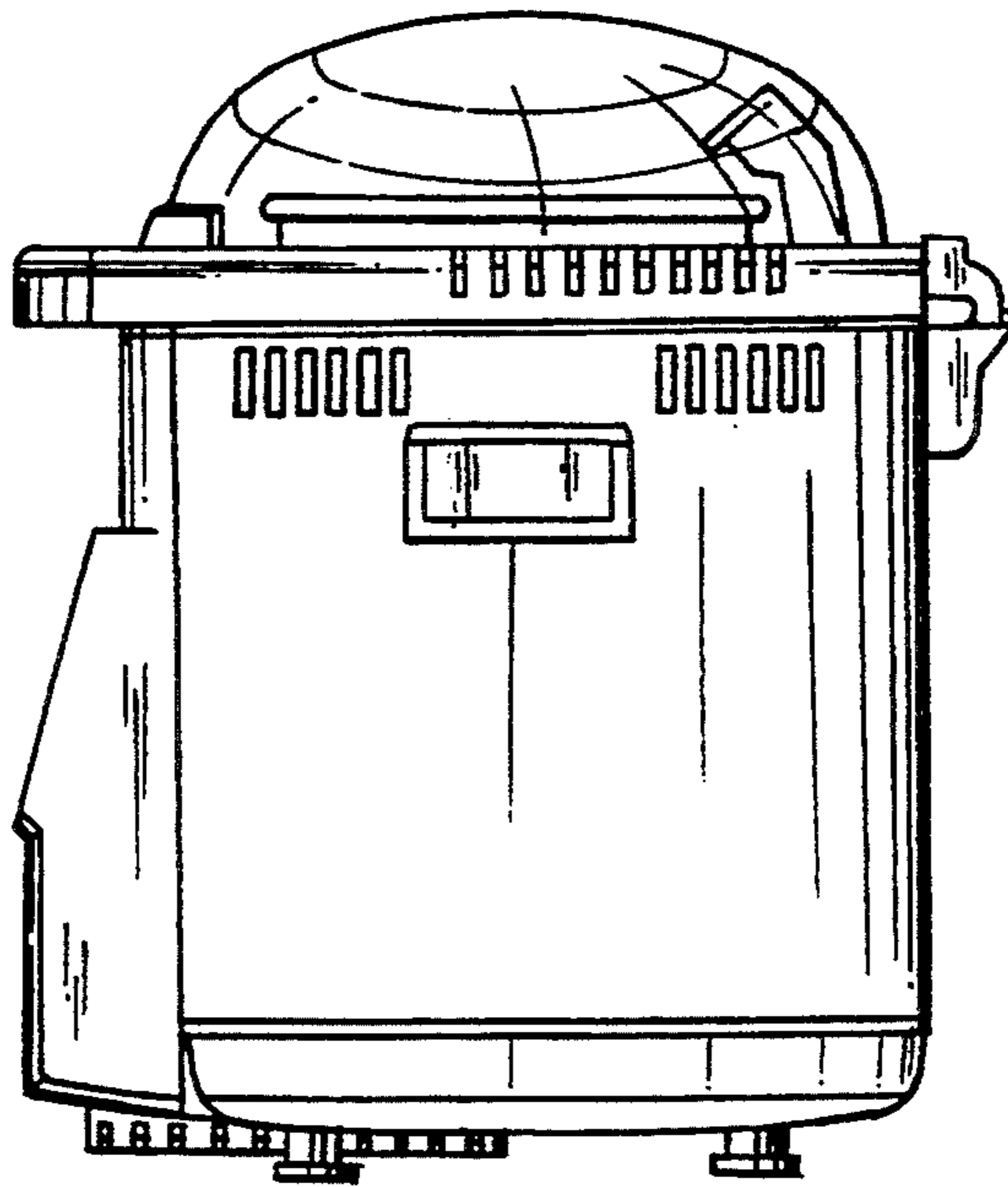


FIG. 6

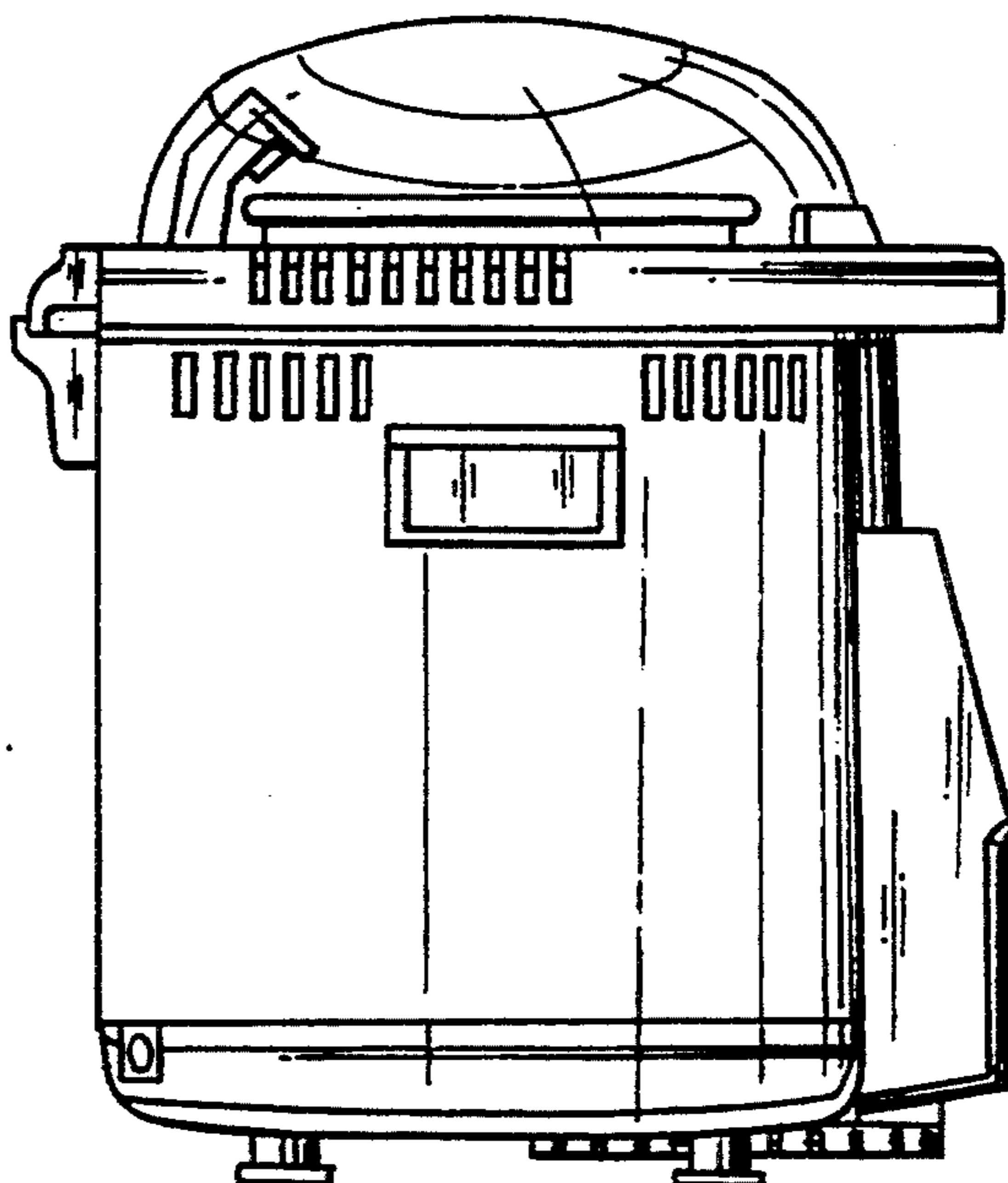


FIG. 7

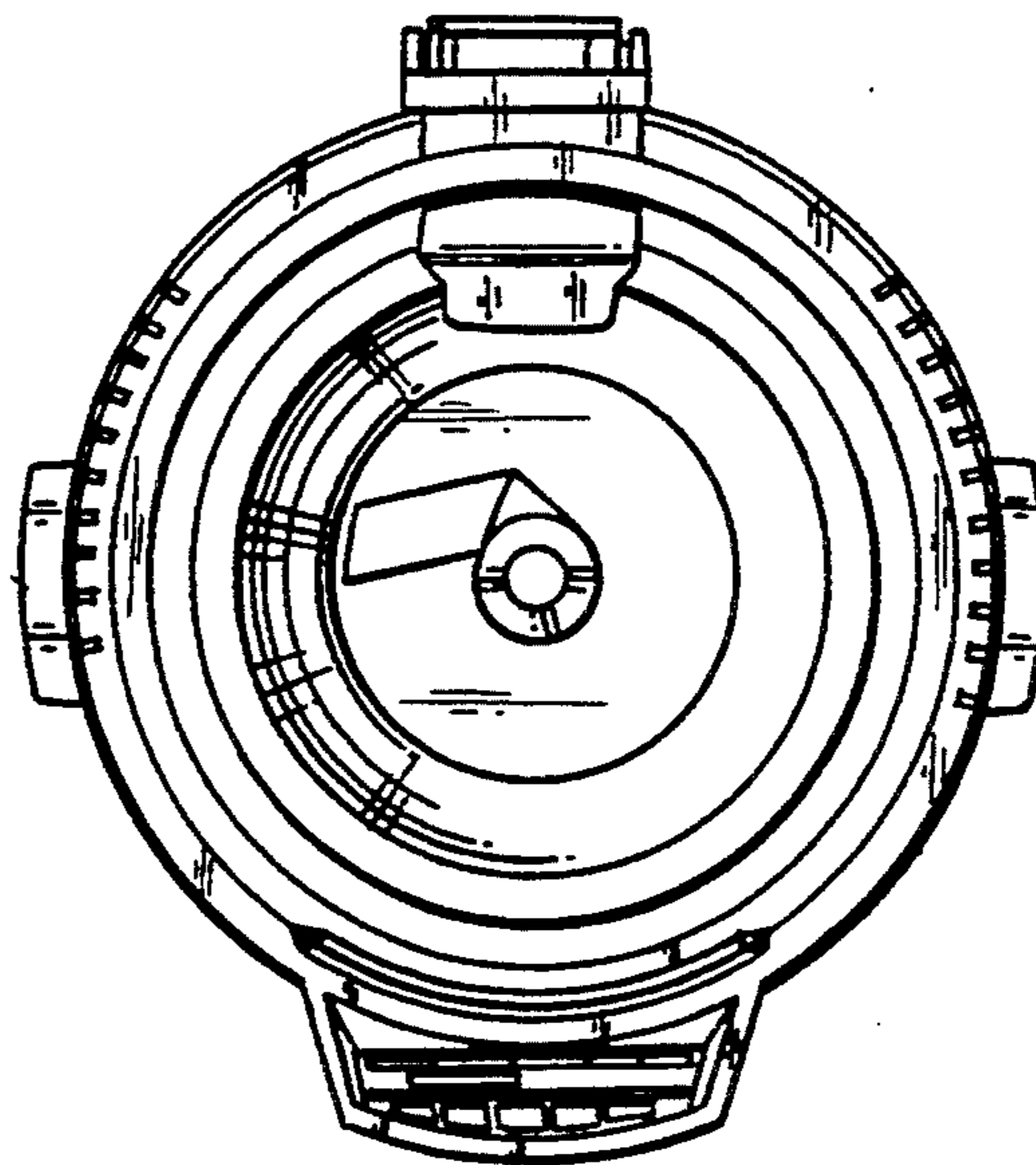


FIG. 8

