



US00D358960S

United States Patent [19]

[11] Patent Number: **Des. 358,960**

Minter

[45] Date of Patent: **** Jun. 6, 1995**

[54] **COMBINATION STORAGE TRAY AND CASE FOR COMPACT DISCS**

[76] Inventor: **Theodore M. Minter, 3887 Martin Luther King Dr., Cleveland, Ohio 44105**

[**] Term: **14 Years**

[21] Appl. No.: **18,445**

[22] Filed: **Feb. 7, 1994**

Related U.S. Application Data

[63] Continuation-in-part of Ser. No. 6,403, Mar. 26, 1993.
[52] U.S. Cl. **D6/631; D6/629; D6/630; D6/632; D6/634**
[58] Field of Search **D3/201, 206; D6/407, D6/408, 626, 629, 630, 631, 632, 634, 635; D19/75, 76; 206/45.13, 45.23, 1.8, 1.9, 387, 444, 445, 450, 473, 485, 486, 309, 310, 311, 312; 402/74, 75**

References Cited

U.S. PATENT DOCUMENTS

D. 231,641	5/1974	Christiansen	D6/629
D. 258,027	1/1981	Rache et al.	D6/634
D. 273,796	5/1984	Milden	D6/635
D. 284,621	7/1986	Swinney	D6/634
D. 288,982	3/1987	Talopp	D6/407
D. 342,379	12/1993	Taniyama	D6/634
D. 346,403	4/1994	Ros	D19/75
D. 346,404	4/1994	Ros	D19/75
1,287,842	12/1918	Betts	402/77
1,303,299	5/1919	Hahl	206/309
1,336,293	4/1920	Grammich	206/309
3,109,539	11/1963	Turoff	206/309
3,544,134	12/1970	Sibley	402/74
4,219,951	9/1980	Schmidt	402/75

4,449,628	5/1984	Egly et al.	206/444
4,518,275	5/1985	Rauch, III et al.	206/387
4,538,730	9/1985	Wu	206/444
4,588,321	5/1986	Egly	402/77
4,676,374	6/1987	Wilkins	206/444
4,676,375	6/1987	Willems et al.	206/45.23
4,702,369	10/1987	Philosophe	206/312
4,750,611	6/1988	Morrone	206/45
4,778,047	10/1988	Lay	206/44
4,793,479	12/1988	Otsuka et al.	206/310
4,850,731	7/1989	Youngs	402/79
5,161,907	11/1992	Byrne	402/4
5,165,541	11/1992	Morita	206/387
5,209,593	5/1993	Ros	402/77
5,232,093	8/1993	Hashizume et al.	206/387
5,295,577	3/1994	Minter	206/444

FOREIGN PATENT DOCUMENTS

911192 7/1946 France 206/309

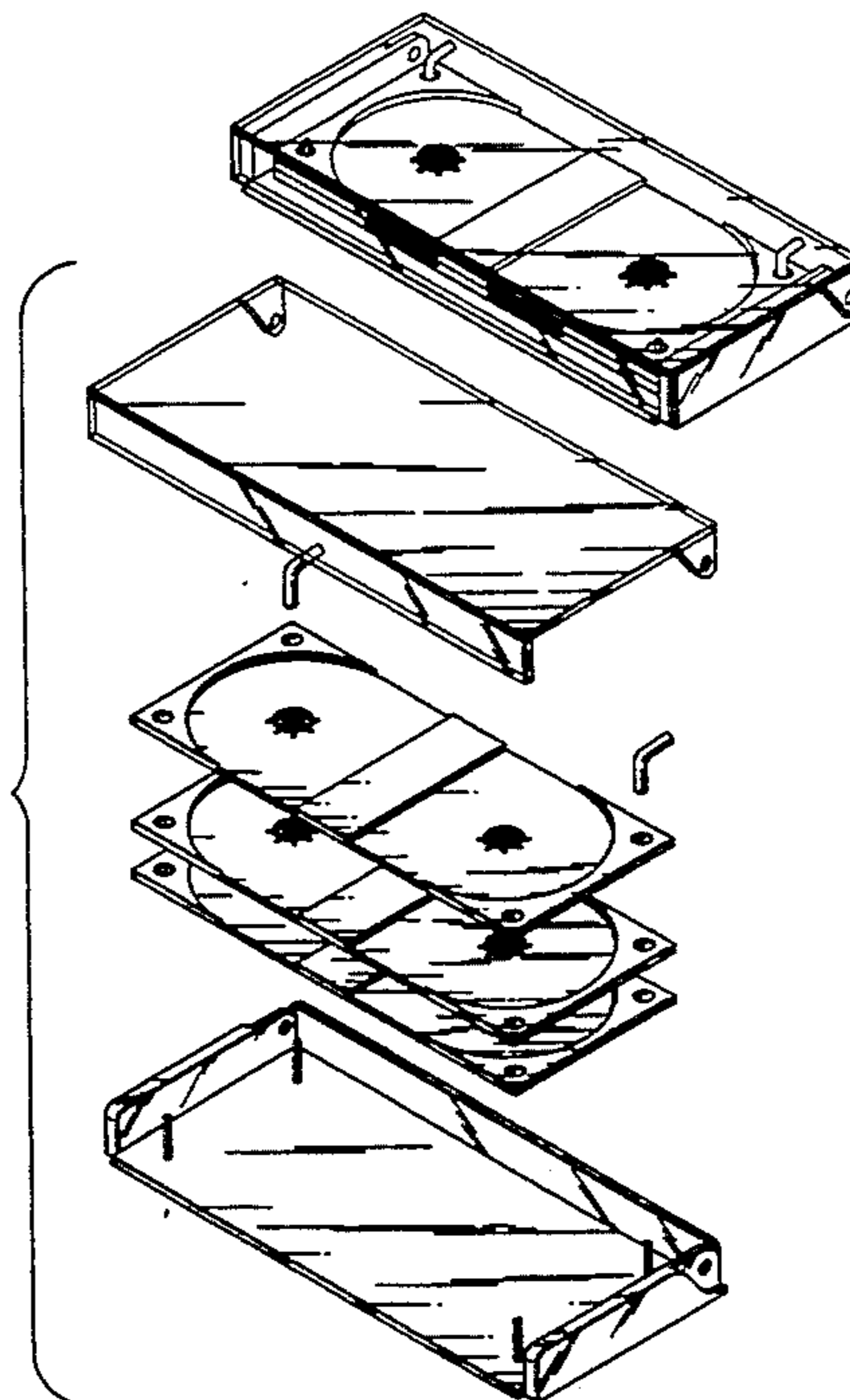
Primary Examiner—C. A. Murphy
Attorney, Agent, or Firm—David A. Burge

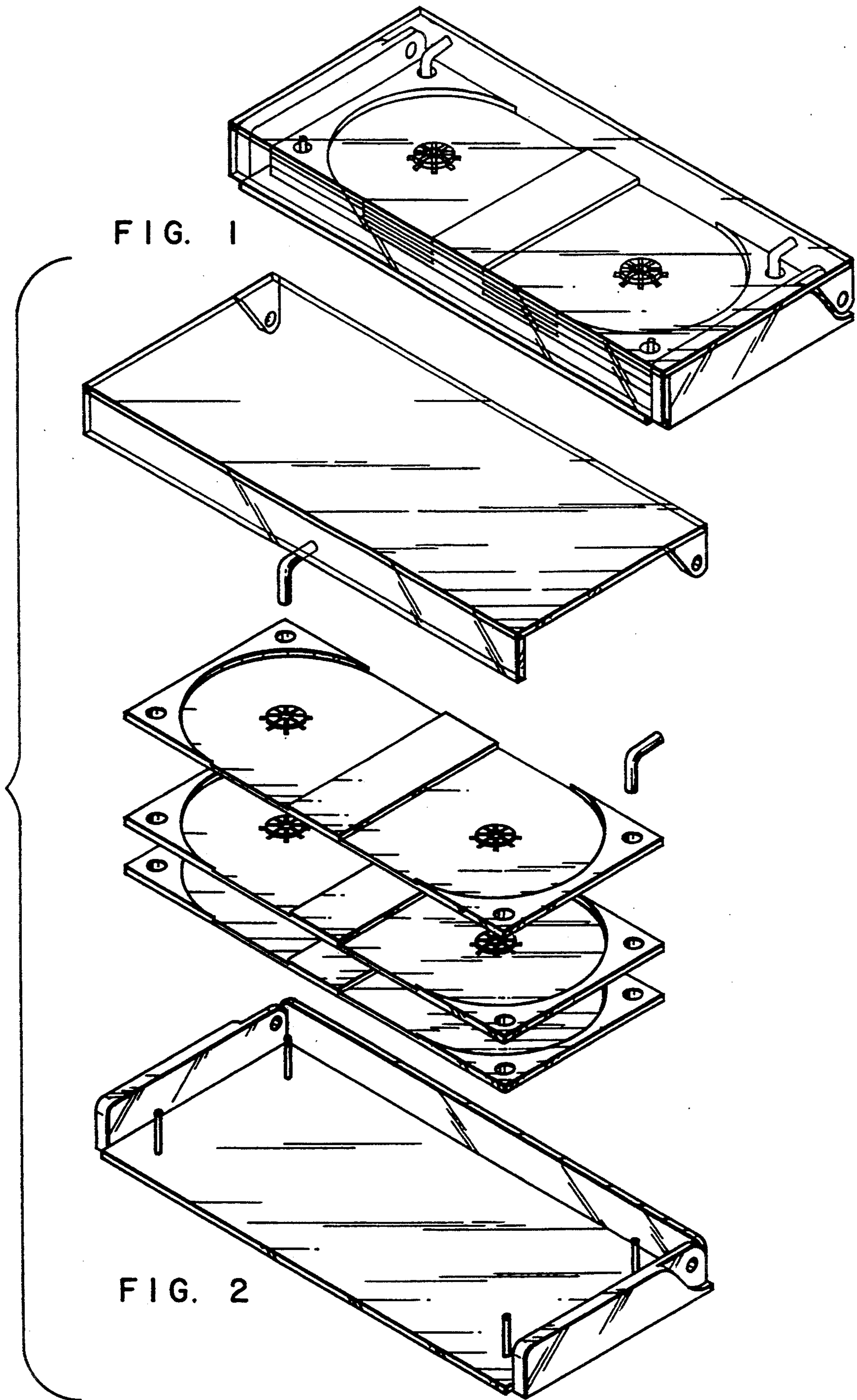
[57] CLAIM

The ornamental design for a combination storage tray and case for compact discs, as shown and described.

DESCRIPTION

FIG. 1 is a perspective view of a combination storage tray and case for compact discs showing my new design;
FIG. 2 is an exploded perspective view thereof;
FIG. 3 is a perspective view of FIG. 1, the lid shown in an open position;
FIG. 4 is a bottom plan view of FIG. 1;
FIG. 5 is a rear elevational view of FIG. 1;
FIG. 6 is a right side elevational view of FIG. 1;
FIG. 7 is a top plan view of FIG. 1;
FIG. 8 is a left side elevational view of FIG. 1; and,
FIG. 9 is a front elevational view of FIG. 1.





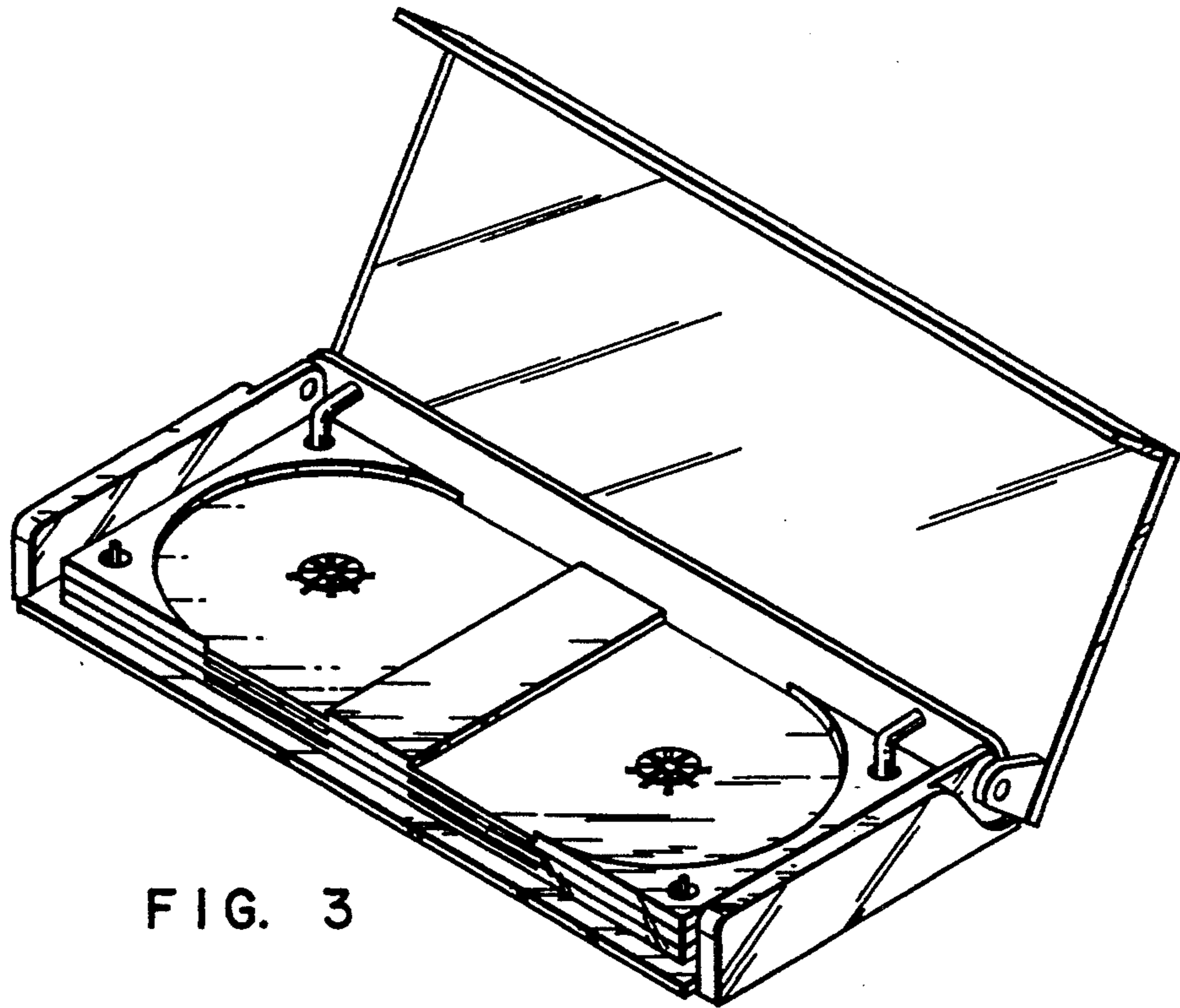


FIG. 3

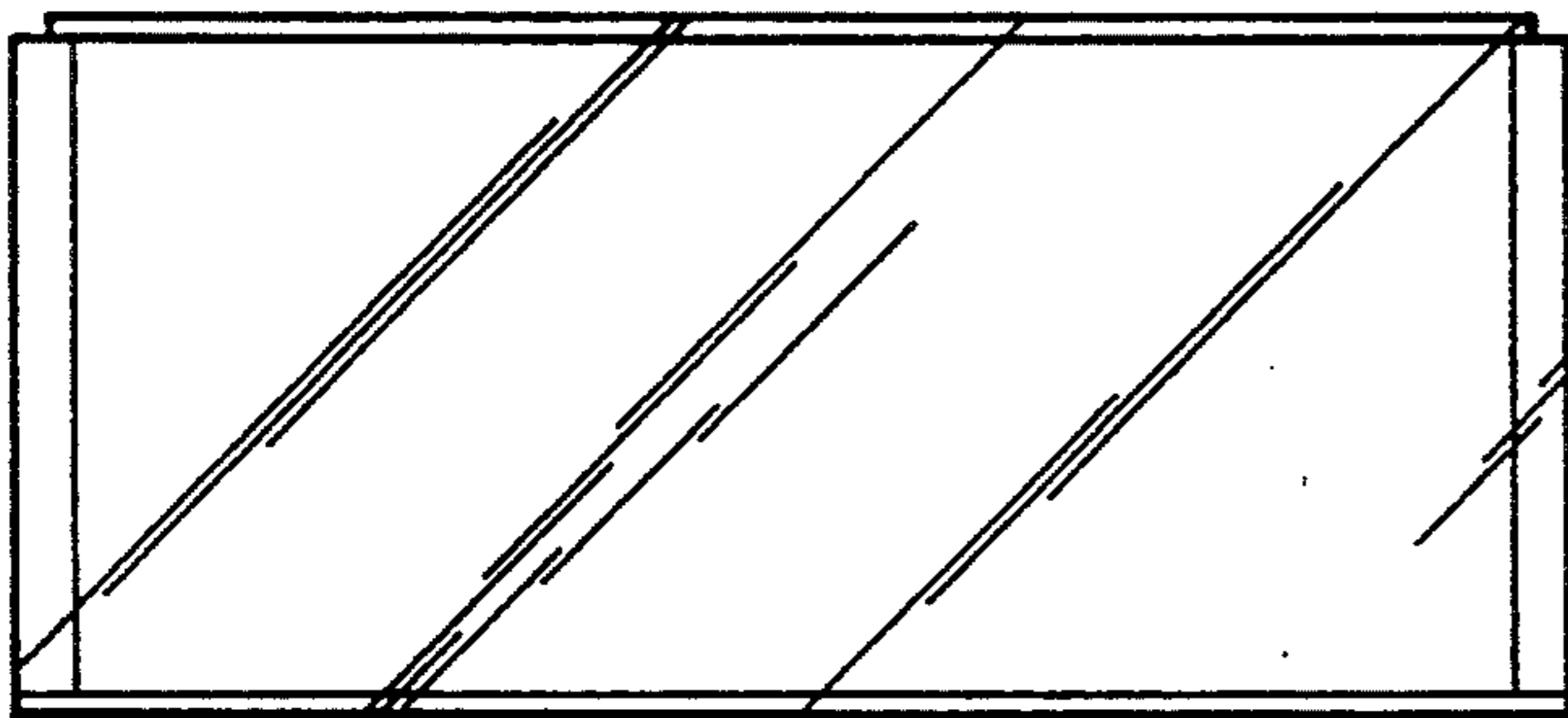


FIG. 4

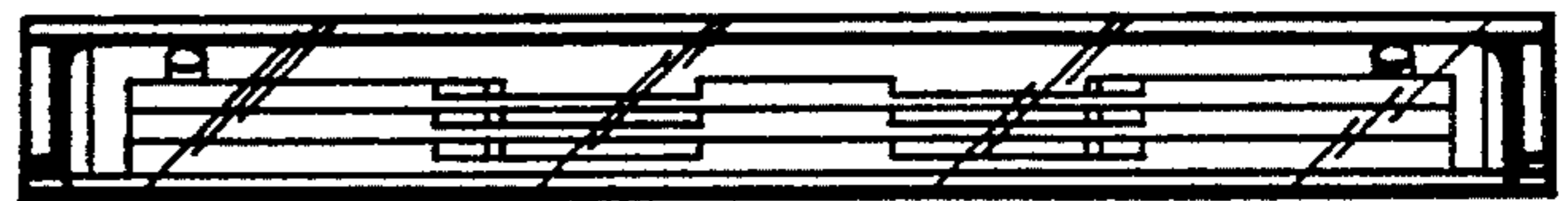


FIG. 5



FIG. 6

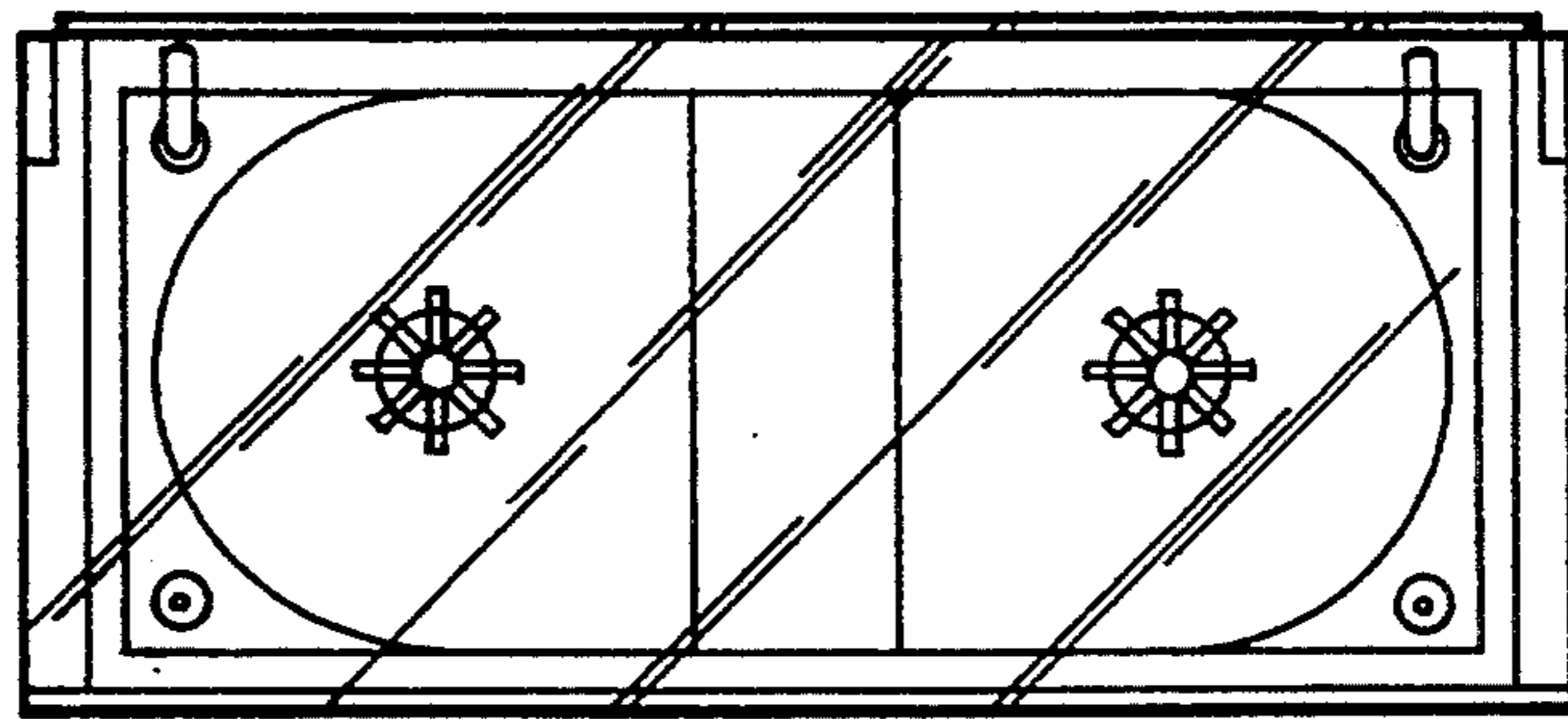


FIG. 7



FIG. 8

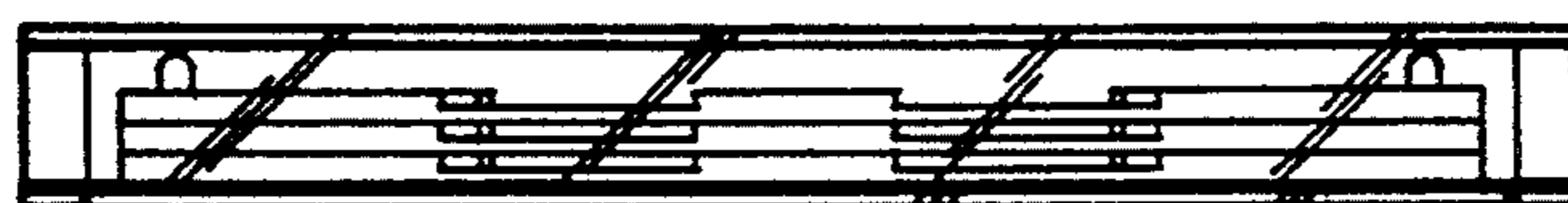


FIG. 9