



US00D358959S

United States Patent [19]

[11] Patent Number: **Des. 358,959**

Herstedt

[45] Date of Patent: **** Jun. 6, 1995**

[54] TOWEL RACK

4,372,449 2/1983 Fink 211/86

[76] Inventor: **Todd O. Herstedt**, 6212 37th Ave.,
Kenosha, Wis. 53142

Primary Examiner—Brian N. Vinson
Attorney, Agent, or Firm—Emch, Schaffer, Schaub &
Porcello Co.

[**] Term: **14 Years**

[57] **CLAIM**

[21] Appl. No.: **28,187**

The ornamental design for a towel rack, as shown and described.

[22] Filed: **Sep. 8, 1994**

[52] U.S. Cl. **D6/548**

[58] Field of Search **D6/546-550;**
211/16, 86, 113, 119, 123; 240/214, 215, 317

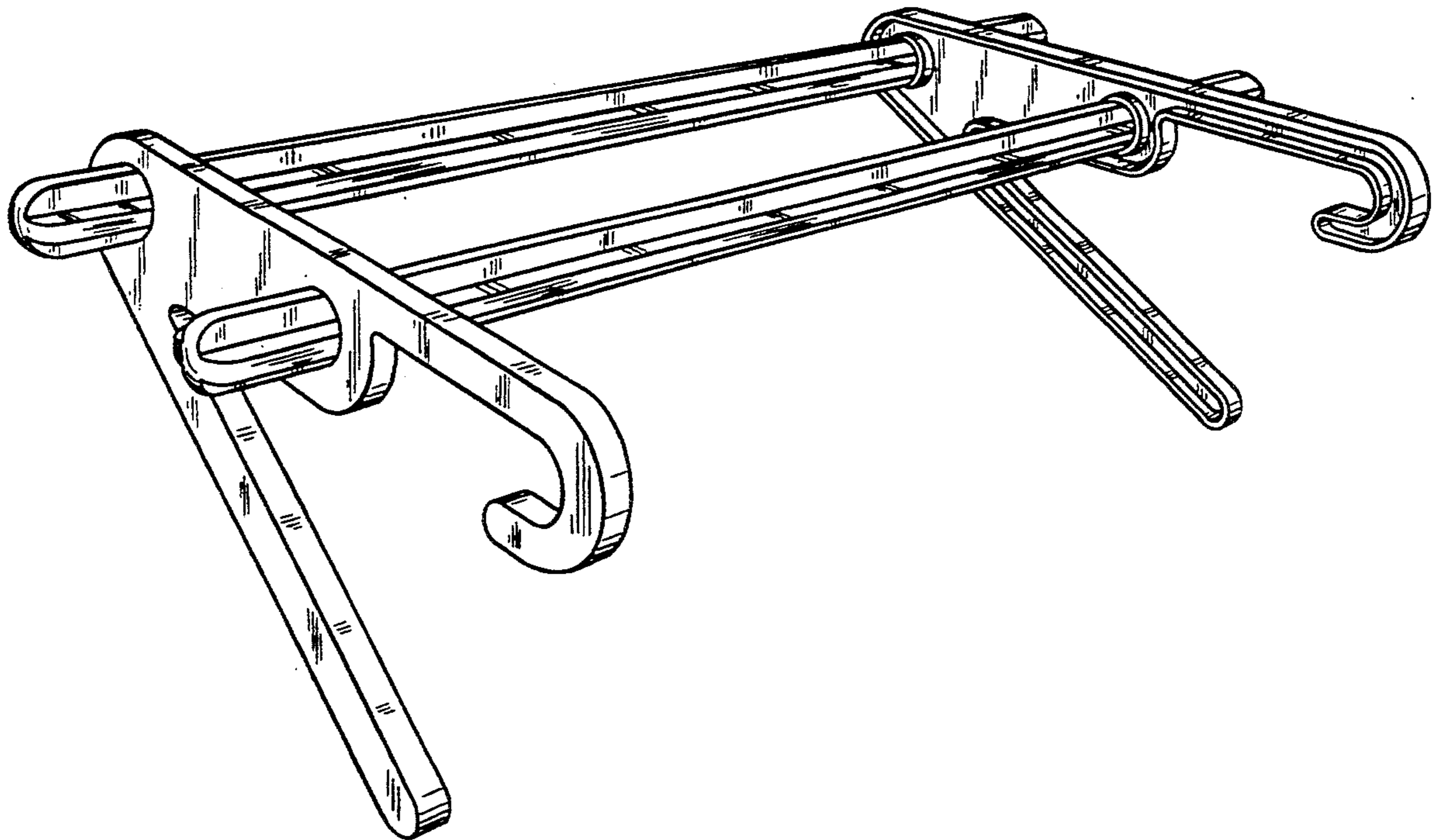
DESCRIPTION

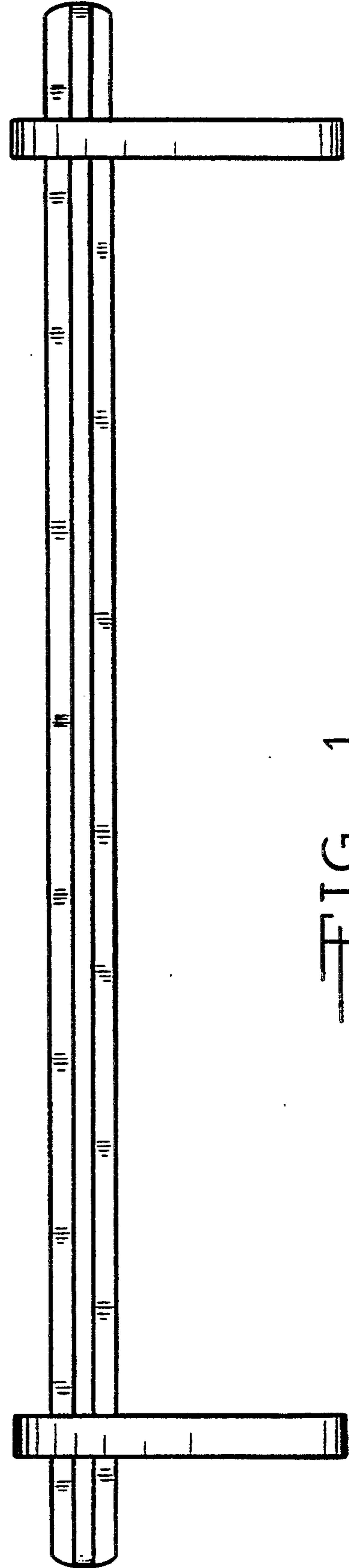
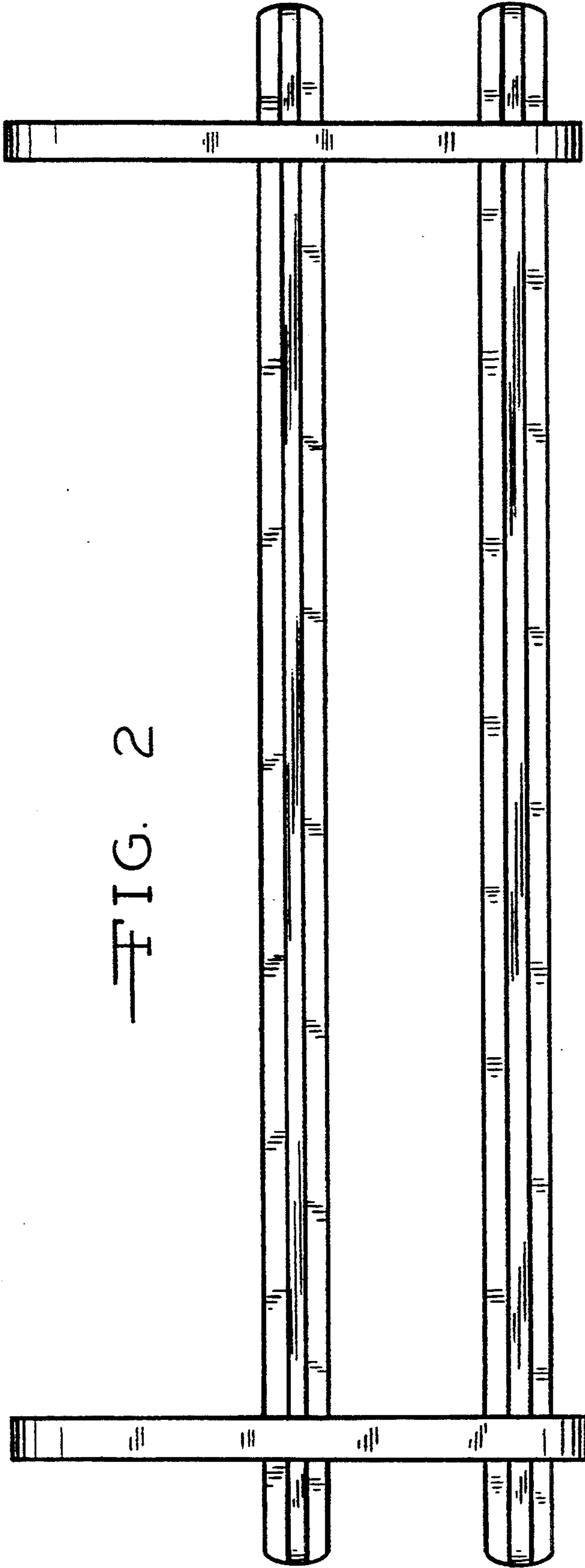
FIG. 1 is a front elevation view of a towel rack showing my new design;
FIG. 2 is top view of the towel rack;
FIG. 3 is a left side view of the towel rack;
FIG. 4 is a right side view of the towel rack;
FIG. 5 is a back view of the towel rack; and,
FIG. 6 is a perspective view of the towel rack.

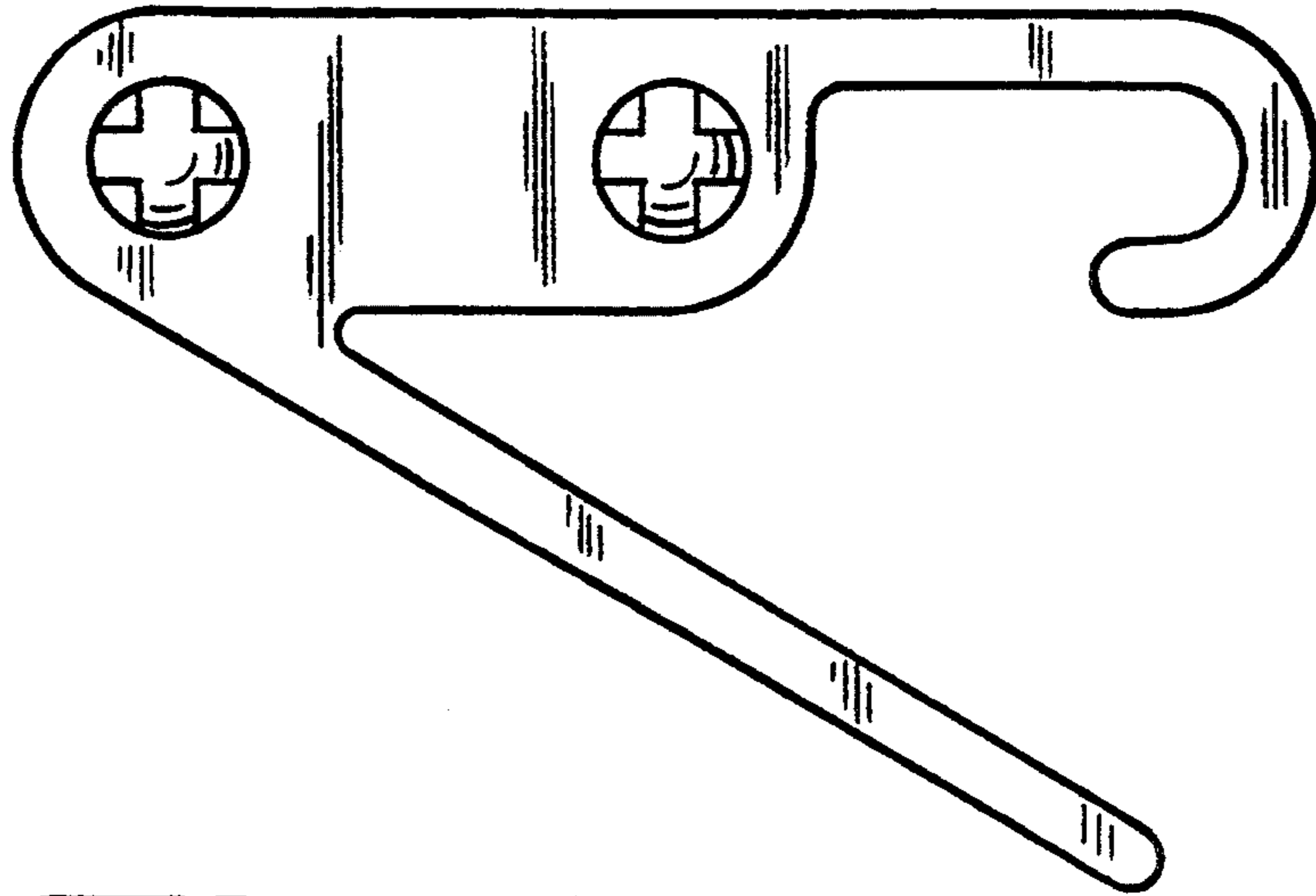
[56] **References Cited**

U.S. PATENT DOCUMENTS

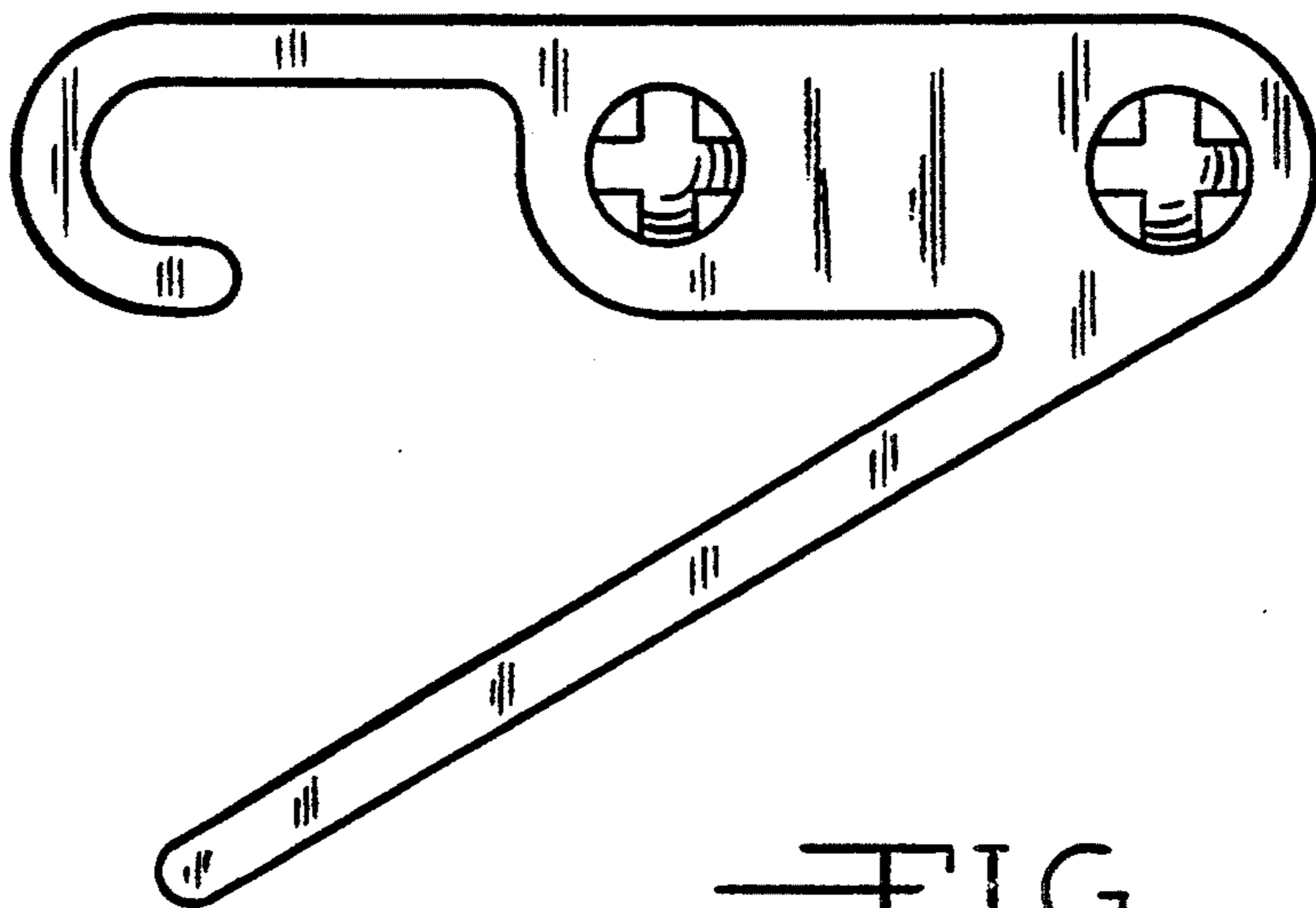
- D. 274,773 7/1984 Coleman D6/548
- D. 280,479 9/1985 Williams et al. D6/548







—FIG. 3



—FIG. 4

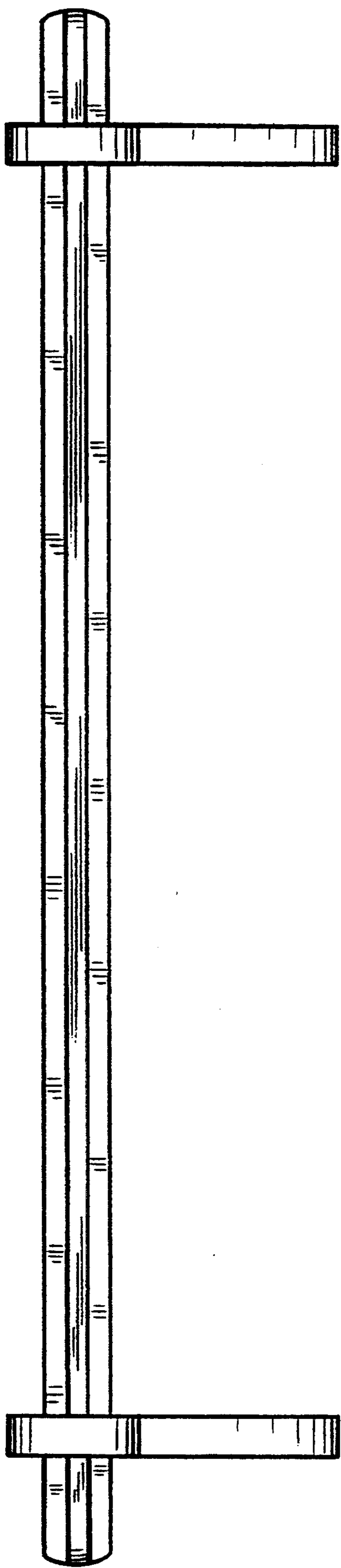


FIG. 5

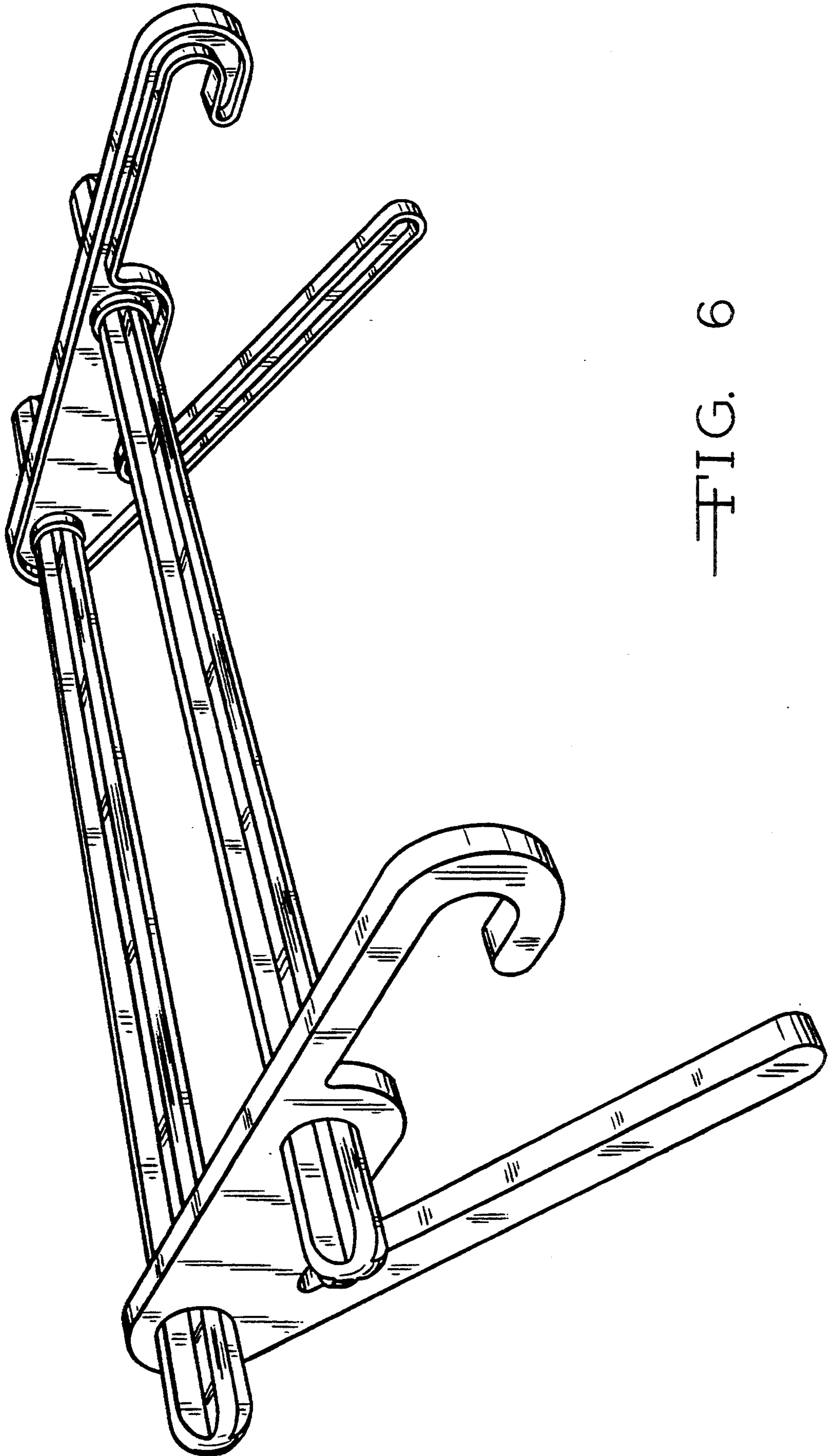


FIG. 6