



US00D358958S

United States Patent [19]

[11] Patent Number: **Des. 358,958**

Ulloa, Jr.

[45] Date of Patent: **** Jun. 6, 1995**

[54] **REFLECTIVE SHOWER ORGANIZER**

D. 351,751 10/1994 Brightbill et al. D6/525

[76] Inventor: **Manuel R. Ulloa, Jr.**, P.O. Box 10085, Tamuning, Guam, 96931

Primary Examiner—Stella Reid
Assistant Examiner—Eric Watterson
Attorney, Agent, or Firm—Weiner, Carrier & Burt;
William F. Esser; Joseph P. Carrier

[**] Term: **14 Years**

[21] Appl. No.: **17,247**

[57] **CLAIM**

[22] Filed: **Jan. 10, 1994**

The ornamental design for a reflective shower organizer, as shown and described.

[52] U.S. Cl. **D6/525; D23/304**

[58] Field of Search **D23/303, 304, 305; D6/524, 525, 527, 536; D7/553; 4/449, 559, 561.1, 570, 556; 108/14, 137, 143; 211/86-88, 135**

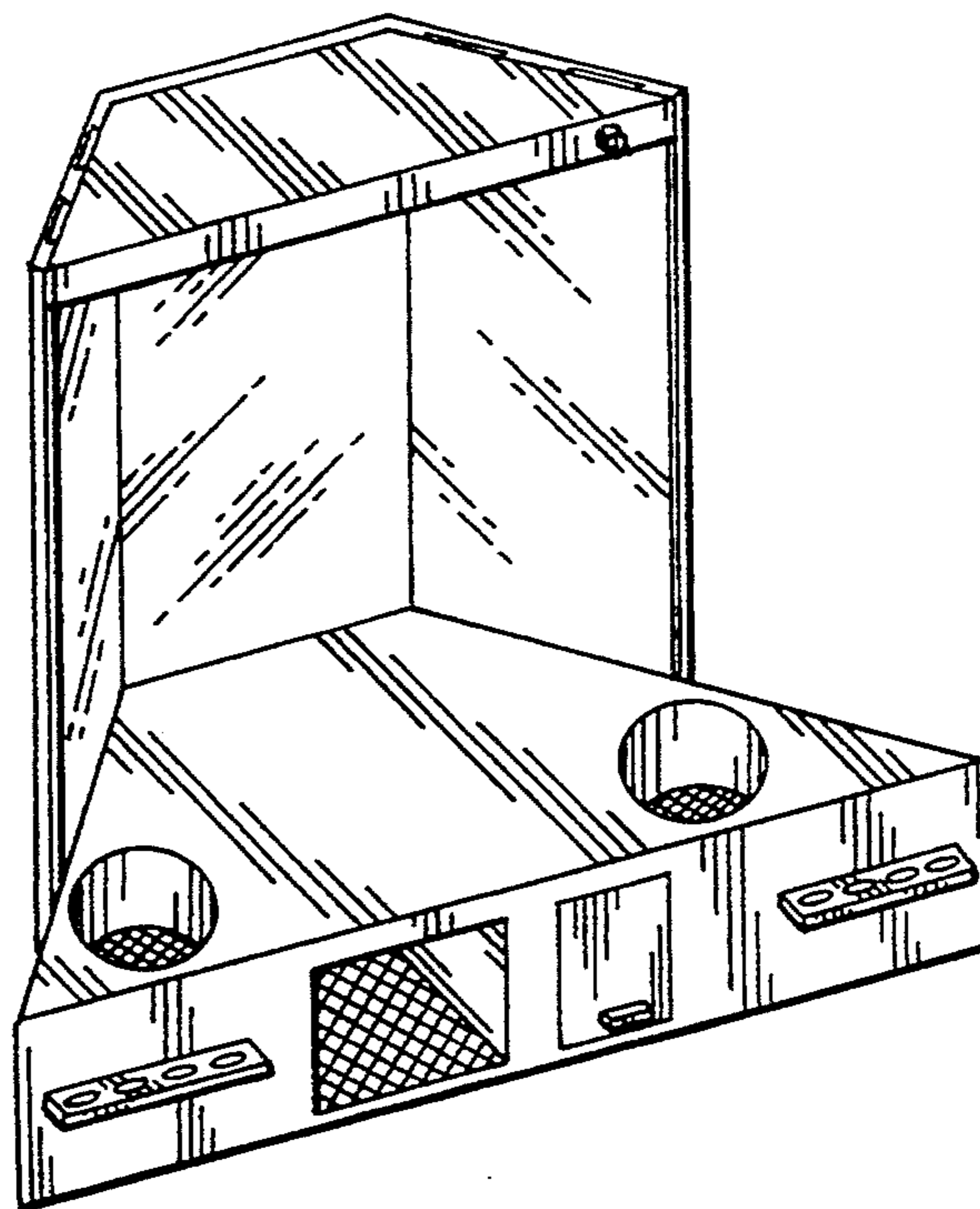
DESCRIPTION

[56] **References Cited**

U.S. PATENT DOCUMENTS

- D. 274,201 6/1984 Aaron D6/525
- D. 286,237 10/1986 Muderlak D6/525
- D. 287,075 12/1986 Colin et al. D6/524

FIG. 1 is a perspective view of my new, original, and ornamental design for a reflective shower organizer; FIG. 2 is a front elevational view thereof; FIG. 3 is a top plan view thereof; FIG. 4 is a rear elevational view thereof; FIG. 5 is a bottom plan view thereof; FIG. 6 is a right side elevational view thereof; and, FIG. 7 is a left side elevational view thereof.



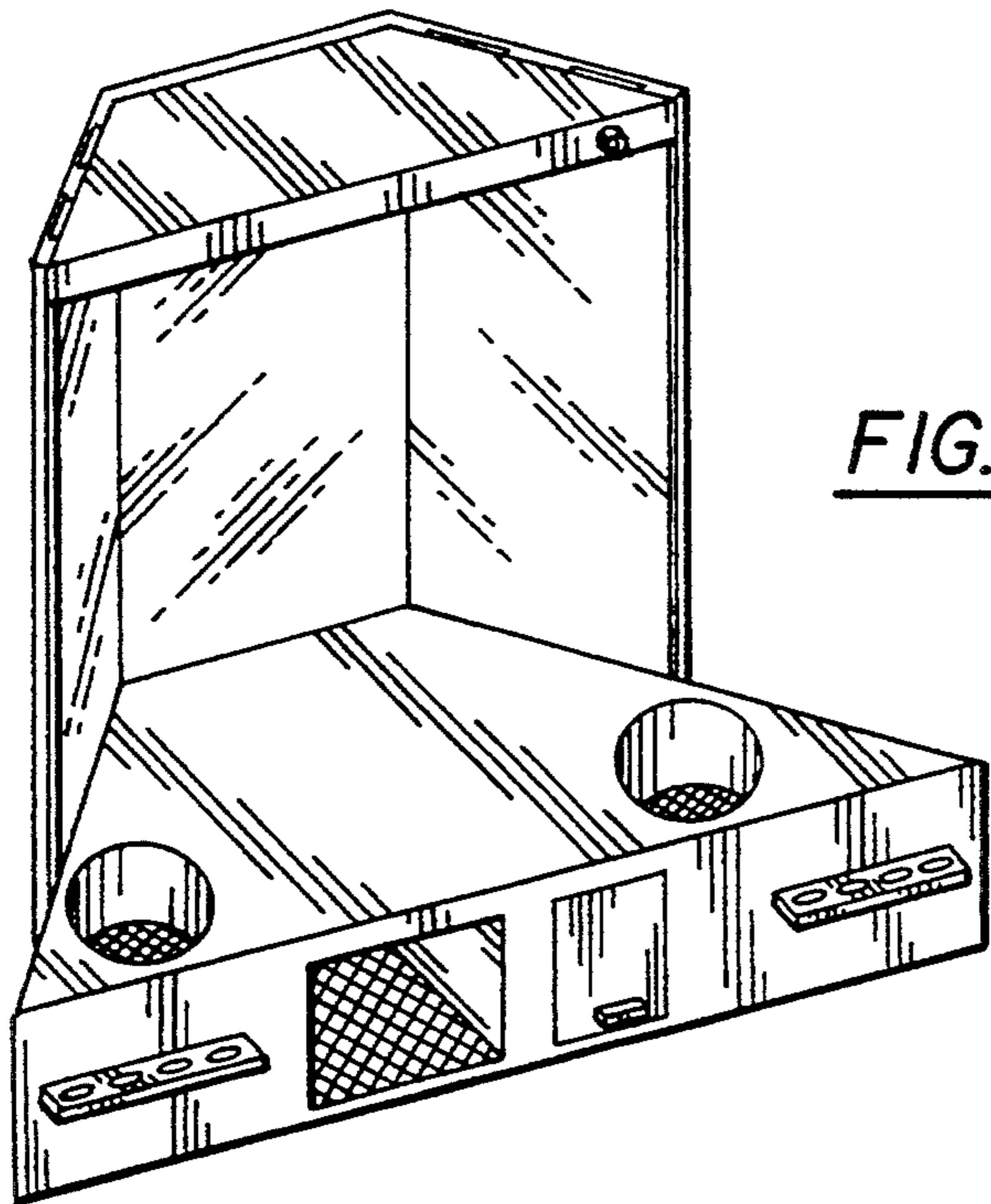


FIG. 1

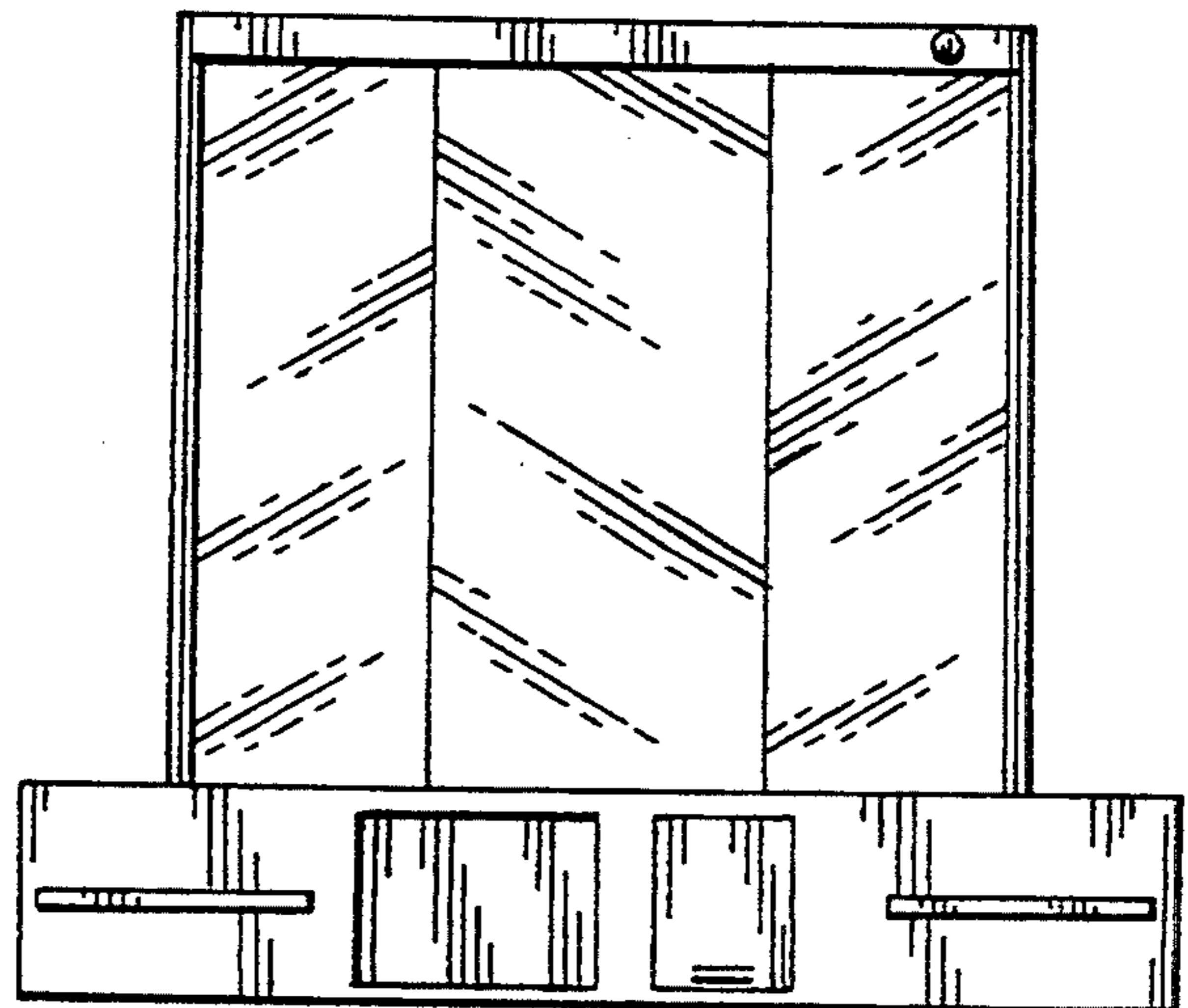


FIG. 2

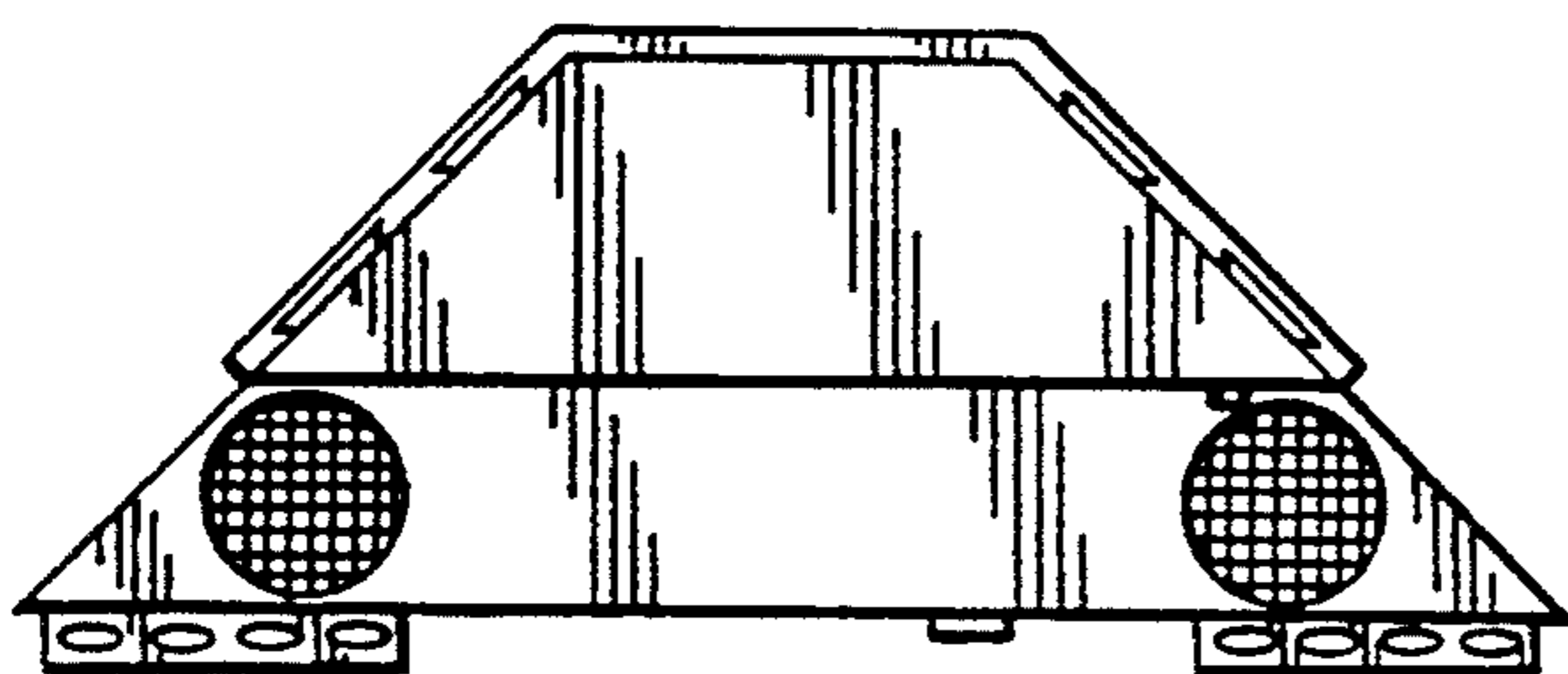


FIG. 3

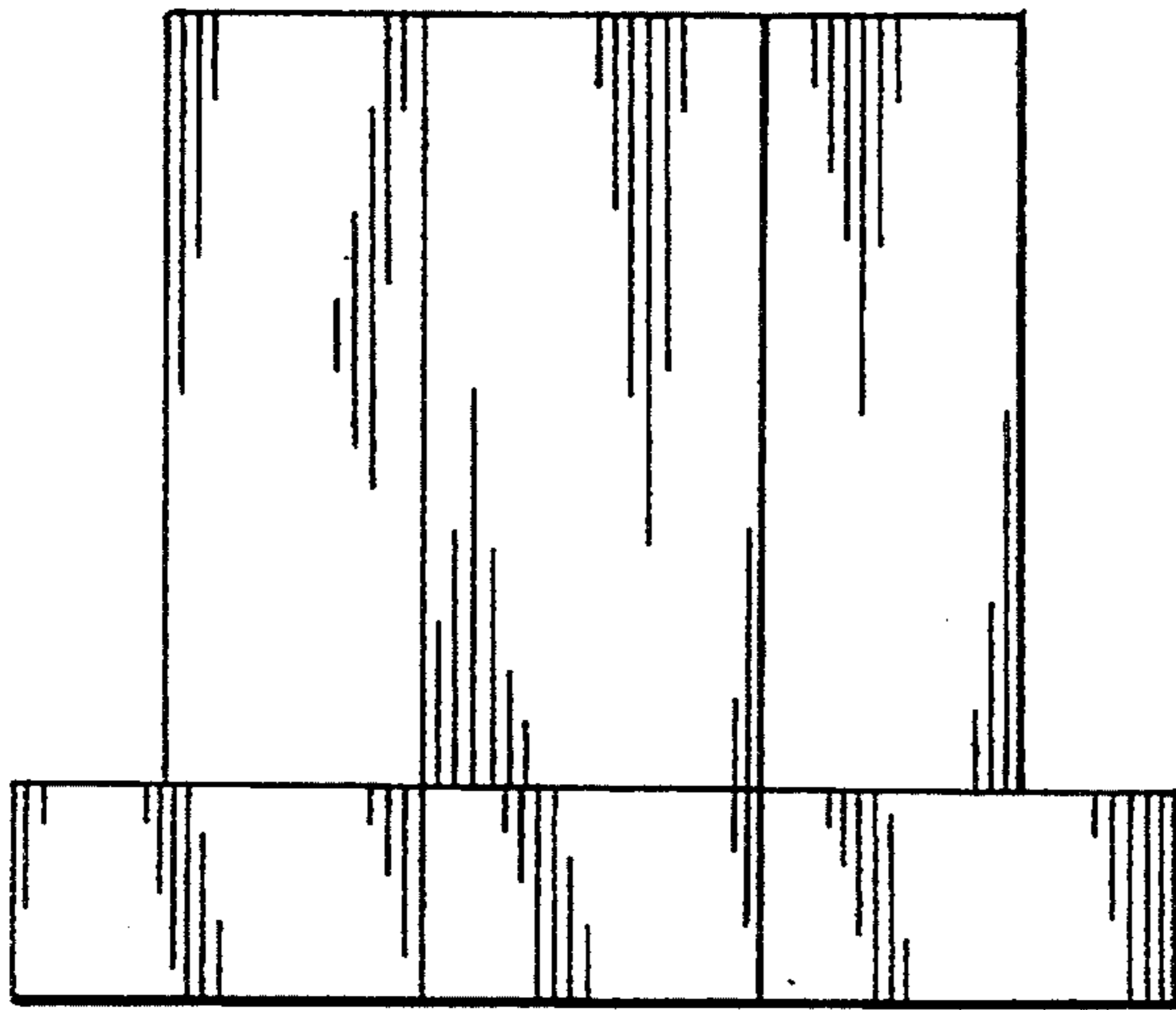


FIG. 4

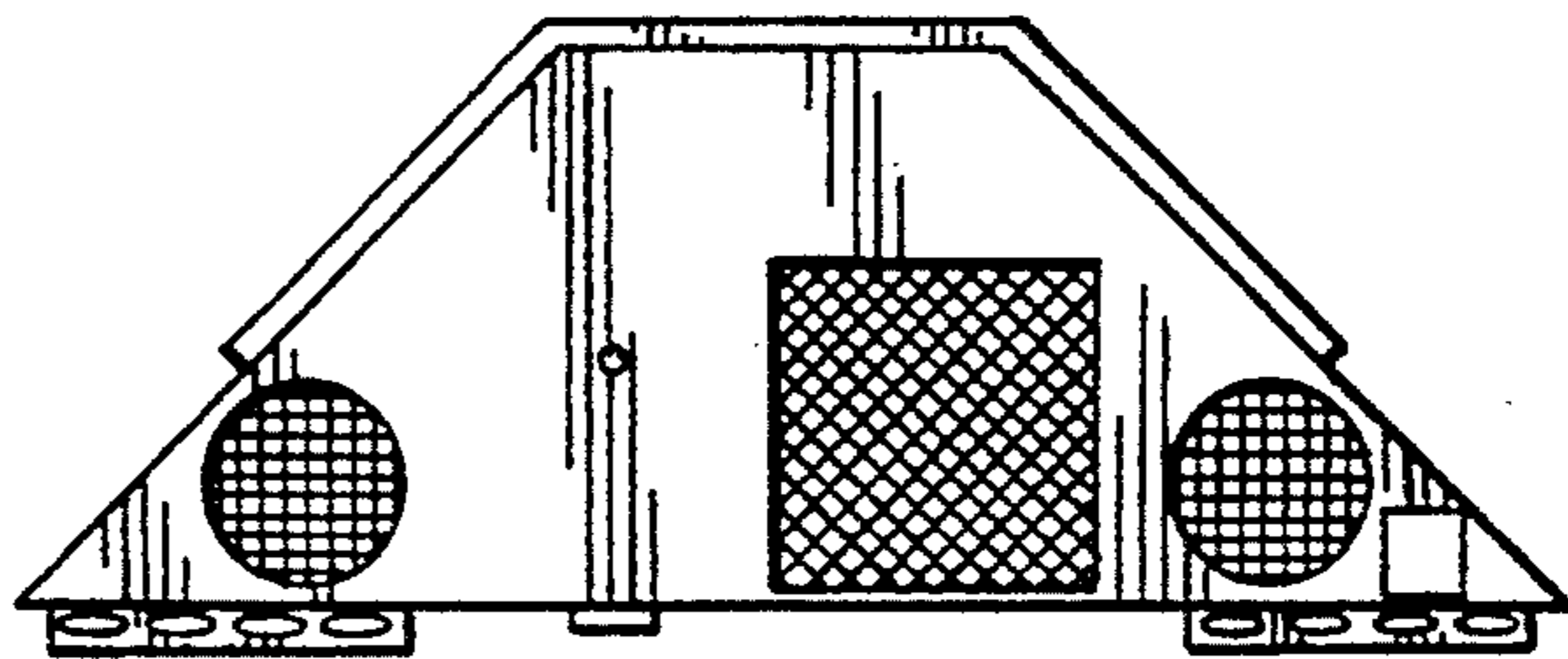


FIG. 5

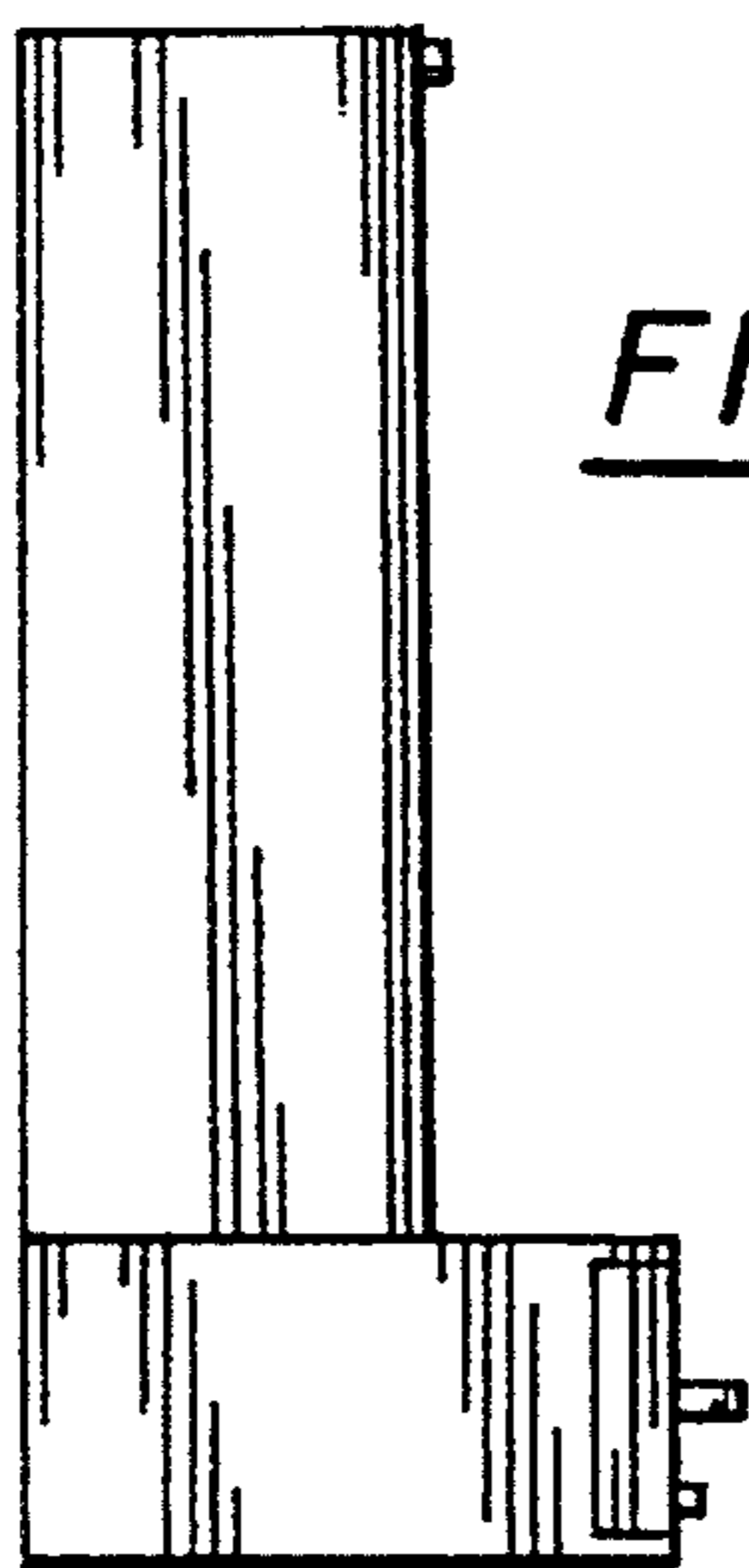


FIG. 6

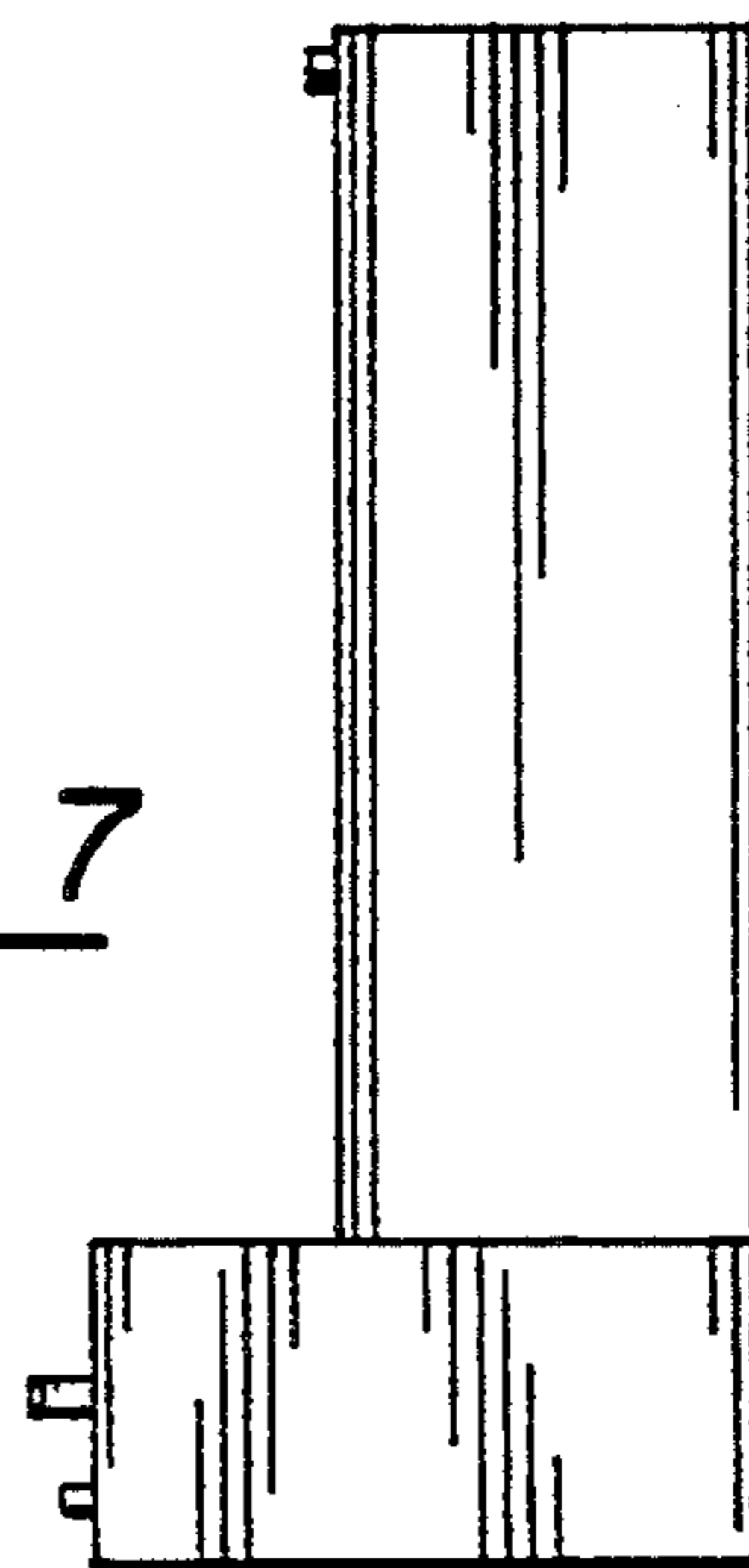


FIG. 7