



US00D358952S

United States Patent [19]

[11] Patent Number: **Des. 358,952**

Stein

[45] Date of Patent: **** Jun. 6, 1995**

[54] **DISPLAY STAND**

[76] Inventor: **Linda C. Stein, 1730 S. Dairy
Ashford, Houston, Tex. 77077**

[**] Term: **14 Years**

[21] Appl. No.: **14,151**

[22] Filed: **Oct. 14, 1993**

[52] U.S. Cl. **D6/466**

[58] Field of Search **D6/466, 467, 469, 449,
D6/396, 411, 418, 310, 311; D7/619, 701;
D21/196, 197; 248/176, 309.1, 441.1; 211/41,
22**

596,541 1/1898 Price 211/22
 640,631 1/1900 Conti 211/22
 3,981,491 9/1976 Snyder 211/22 X
 4,230,296 10/1980 Staley et al. 248/309.1
 4,561,339 12/1988 Jensen 248/441.1 X
 4,943,021 7/1990 Cien et al. 248/176 X
 5,086,930 2/1992 Saeks 211/22 X

Primary Examiner—Alan P. Douglas
Assistant Examiner—S. Snapp
Attorney, Agent, or Firm—Kenneth A. Roddy

[57] CLAIM

The ornamental design for a display stand, as shown and described.

[56] **References Cited**
U.S. PATENT DOCUMENTS

D. 344,637 3/1994 Brown D6/310
 477,705 6/1892 Russell 211/22
 592,544 10/1897 Graham et al. 211/22

DESCRIPTION

FIG. 1 is an isometric view of a display stand showing my new design from the top and front side; and, FIG. 2 is an isometric view thereof shown from the bottom and back side.

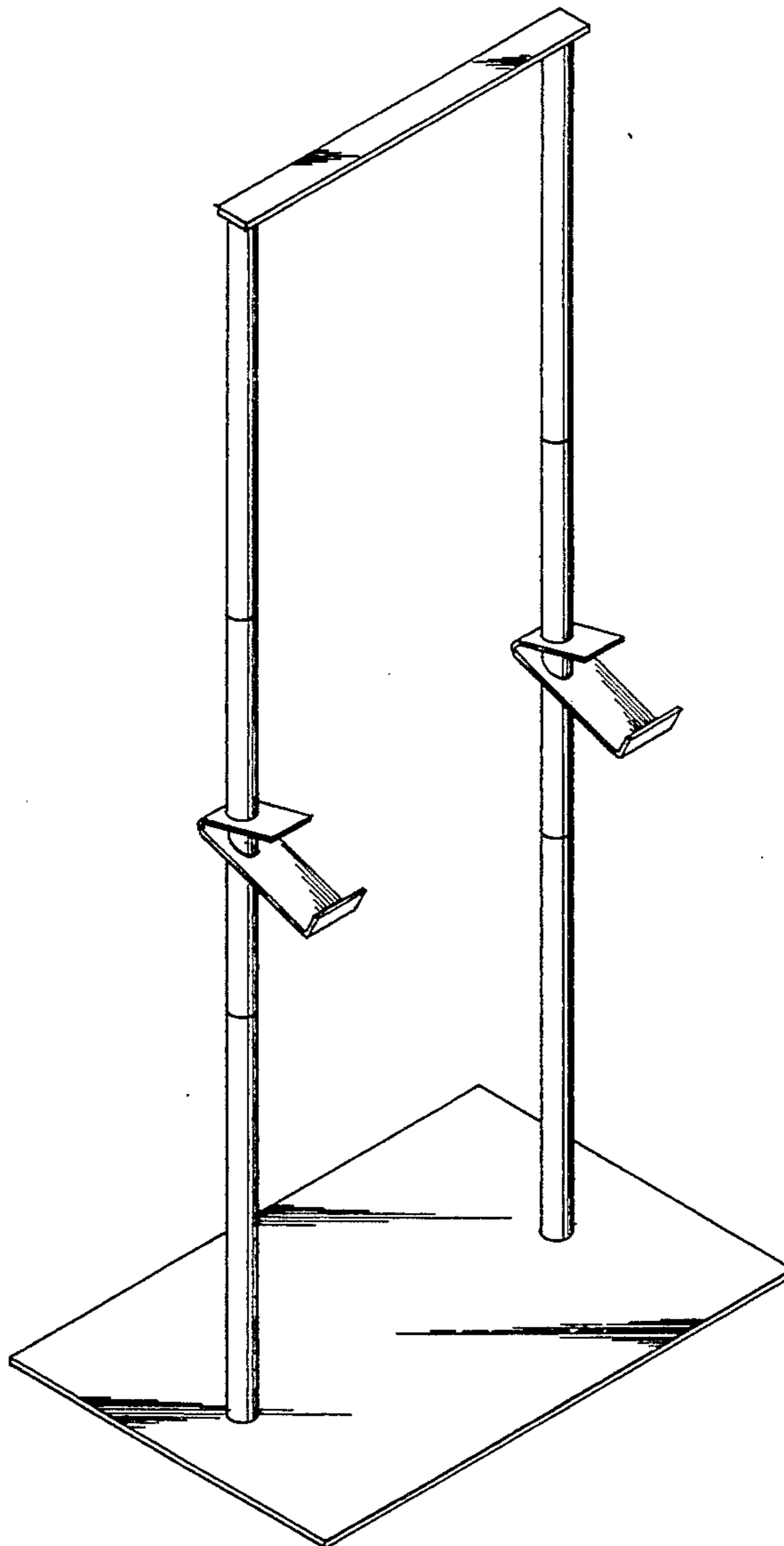


fig. 1

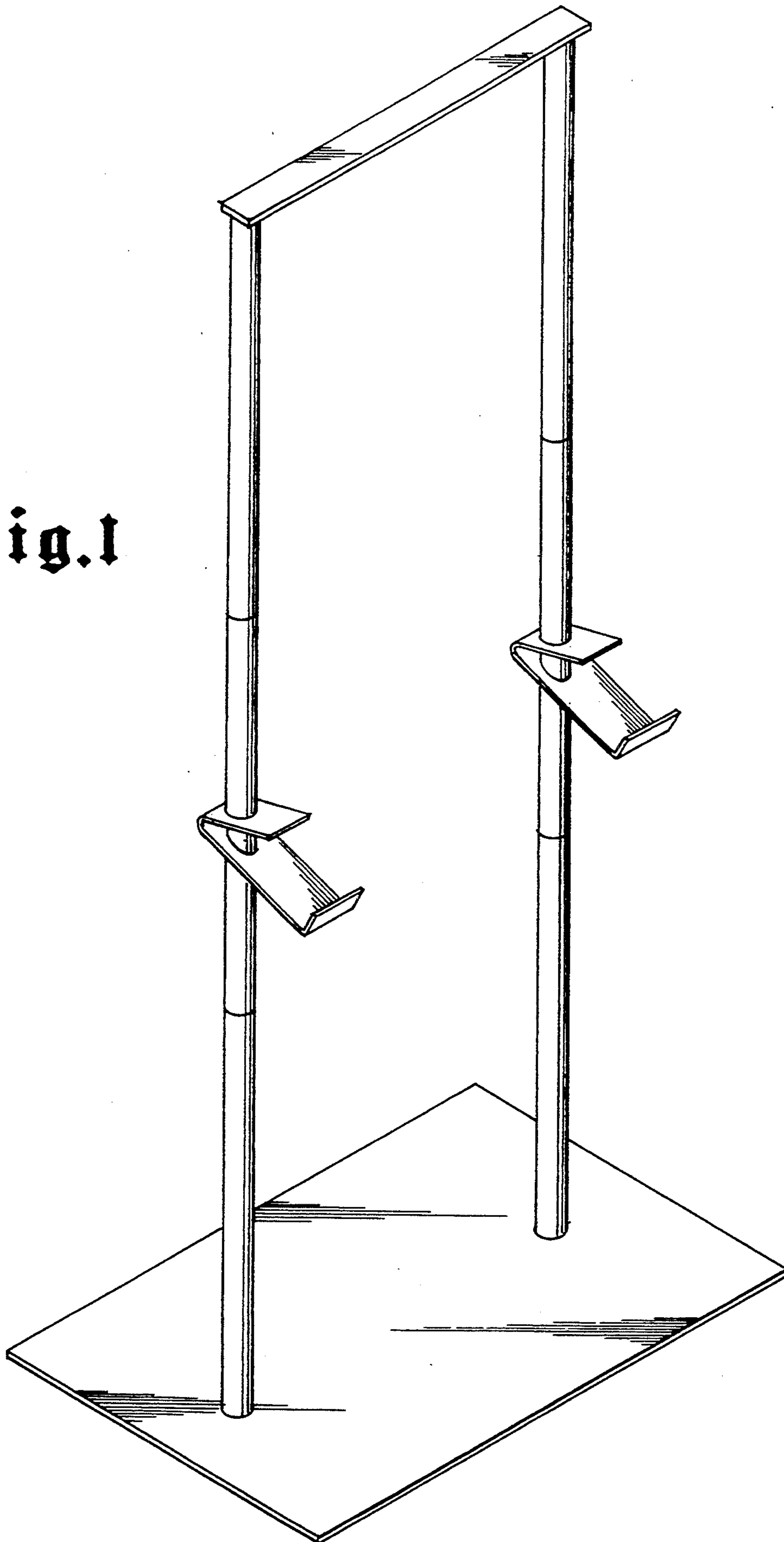


fig. 2

