



US00D358951S

United States Patent [19]

[11] Patent Number: **Des. 358,951**

Raynor

[45] Date of Patent: **** Jun. 6, 1995**

[54] **ADJUSTABLE HEIGHT TELEPHONE PEDESTAL**

[75] Inventor: **James E. Raynor**, Woodstock, Ga.

[73] Assignee: **Phillips & Brooks/Gladwin, Inc.**, Atlanta, Ga.

[**] Term: **14 Years**

[21] Appl. No.: **840,796**

[22] Filed: **Feb. 24, 1992**

[52] U.S. Cl. **D6/421; D14/251; D25/16**

[58] Field of Search **D6/421; D25/16; 52/28; 379/441, 454, 451; 312/223.4**

[56] **References Cited**

U.S. PATENT DOCUMENTS

| | | | |
|------------|---------|-----------------------|-----------|
| D. 232,223 | 7/1974 | Bartley et al. | D6/421 |
| D. 232,541 | 8/1974 | Bartley | D6/421 X |
| D. 244,454 | 5/1977 | Crump et al. | D25/16 |
| D. 257,416 | 10/1980 | King, Sr. | D25/16 |
| D. 261,582 | 11/1981 | Genaro et al. | D6/421 |
| D. 262,762 | 1/1982 | McGarvey et al. | D6/421 |
| D. 273,637 | 5/1984 | Benedetti et al. | D25/16 X |
| 3,752,927 | 8/1973 | Bartley et al. | 379/454 |
| 4,246,451 | 1/1981 | Nix | 179/146 R |

OTHER PUBLICATIONS

Nix & Miller, "The Universal Adjustable Pedestal," Apr. 1990.

Primary Examiner—Nelson C. Holtje

Assistant Examiner—Jeffrey Asch

Attorney, Agent, or Firm—Deveau, Colton & Marquis

[57] **CLAIM**

The ornamental design of an adjustable height telephone pedestal, as shown and described.

DESCRIPTION

FIG. 1 is a perspective view of the adjustable height telephone pedestal, showing the front and one side thereof with the pedestal mounted at its lowest mounting position;

FIG. 2 is a front elevational view thereof;

FIG. 3 is an elevational view of one side thereof;

FIG. 4 is an elevational view of the side thereof opposite the side shown in FIG. 3;

FIG. 5 is a rear view thereof;

FIG. 6 is a top view thereof;

FIG. 7 is a perspective view of the adjustable height telephone pedestal of FIG. 1 with the pedestal mounted at its highest mounting position, showing the front and one side thereof;

FIG. 8 is a front elevational view of the pedestal of FIG. 7;

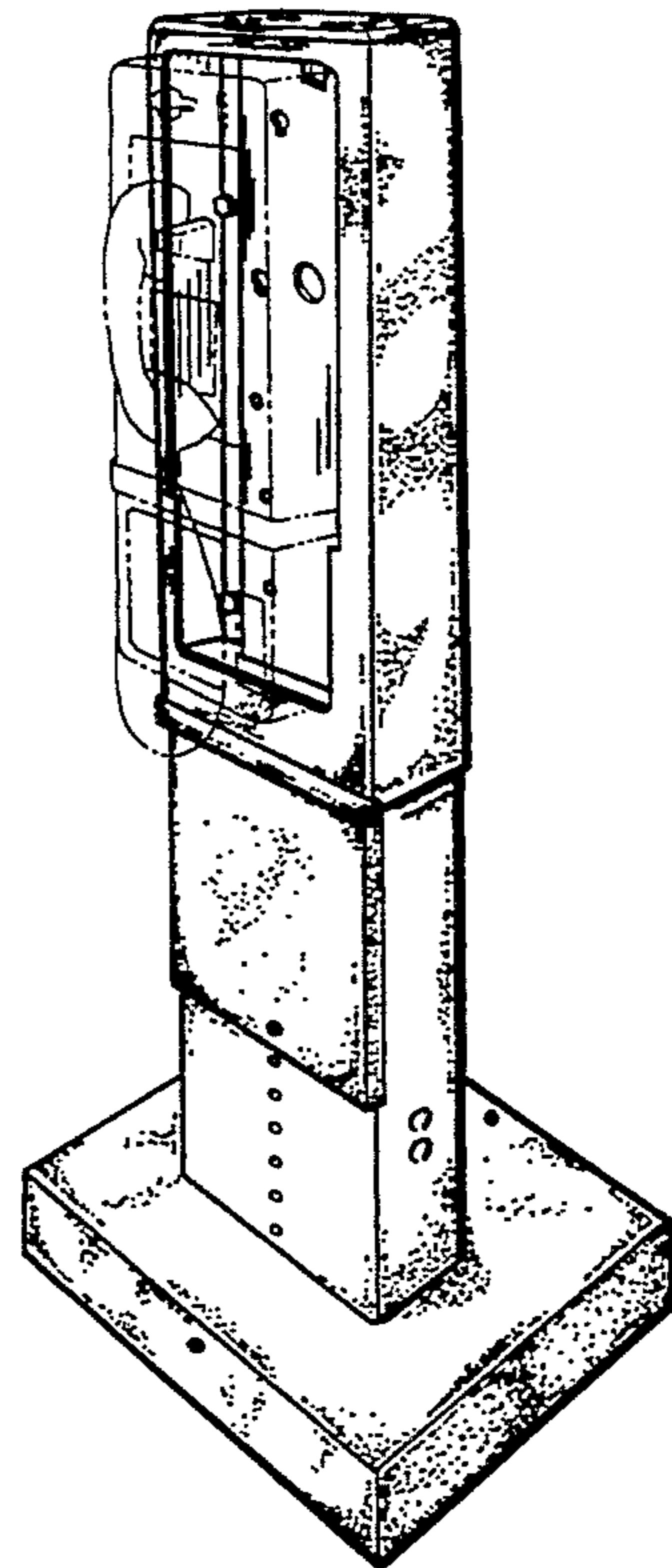
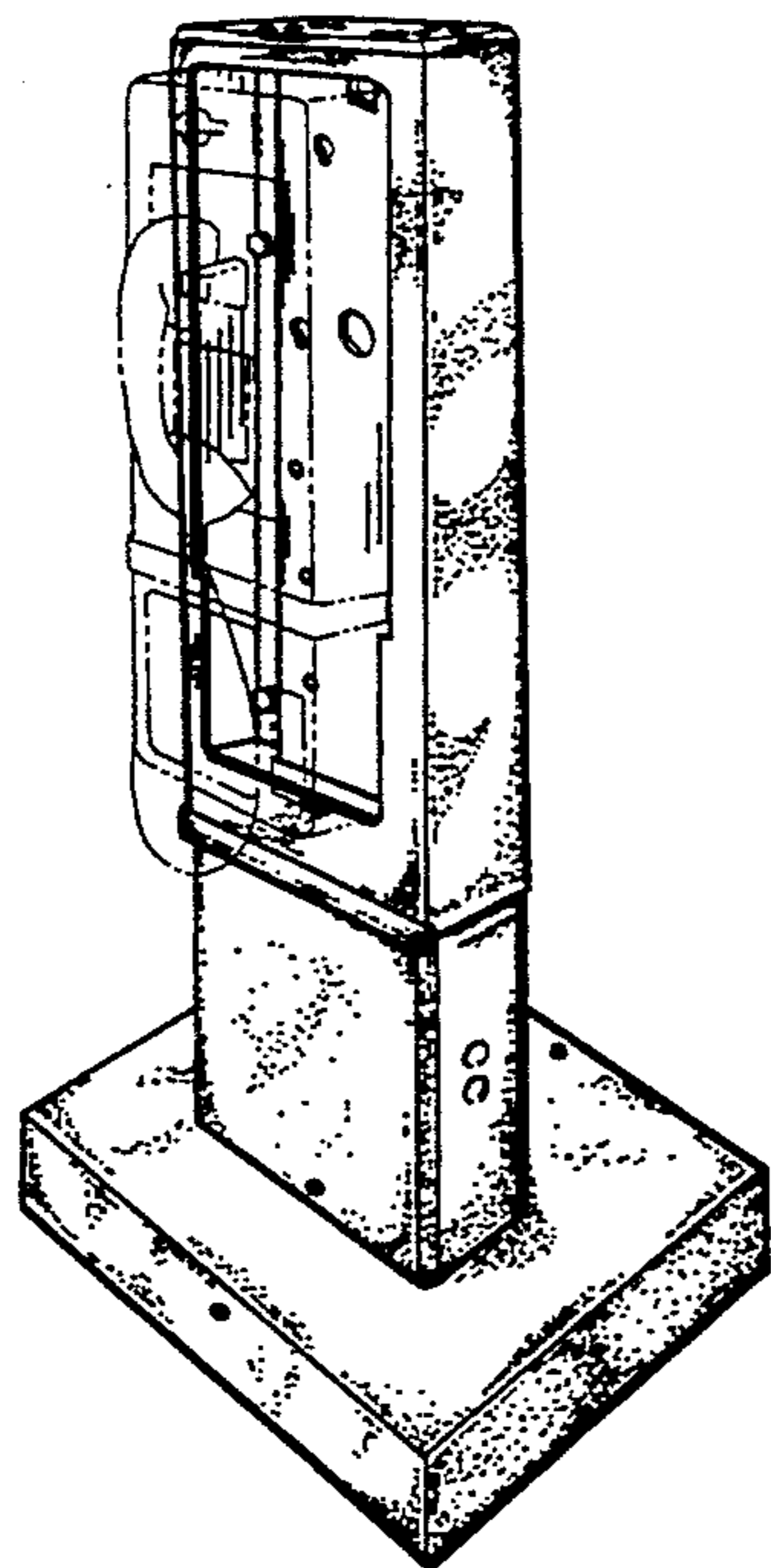
FIG. 9 is an elevational view of one side of the pedestal of FIG. 7;

FIG. 10 is an elevational view of the side of the pedestal of FIG. 7 opposite the side shown in FIG. 9;

FIG. 11 is a rear view of the pedestal of FIG. 7; and,

FIG. 12 is a top view of the pedestal of FIG. 7.

The broken line showings of a telephone in FIGS. 1 and 7 are for illustrative purposes only and form no part of the claimed design.



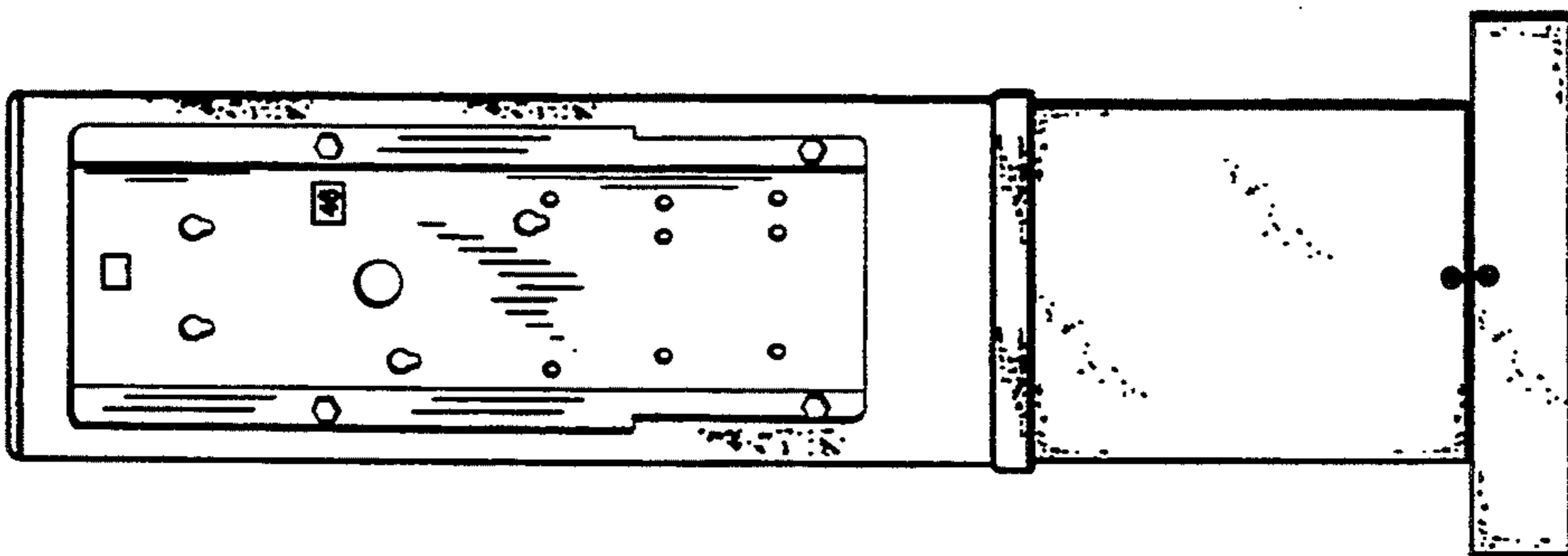
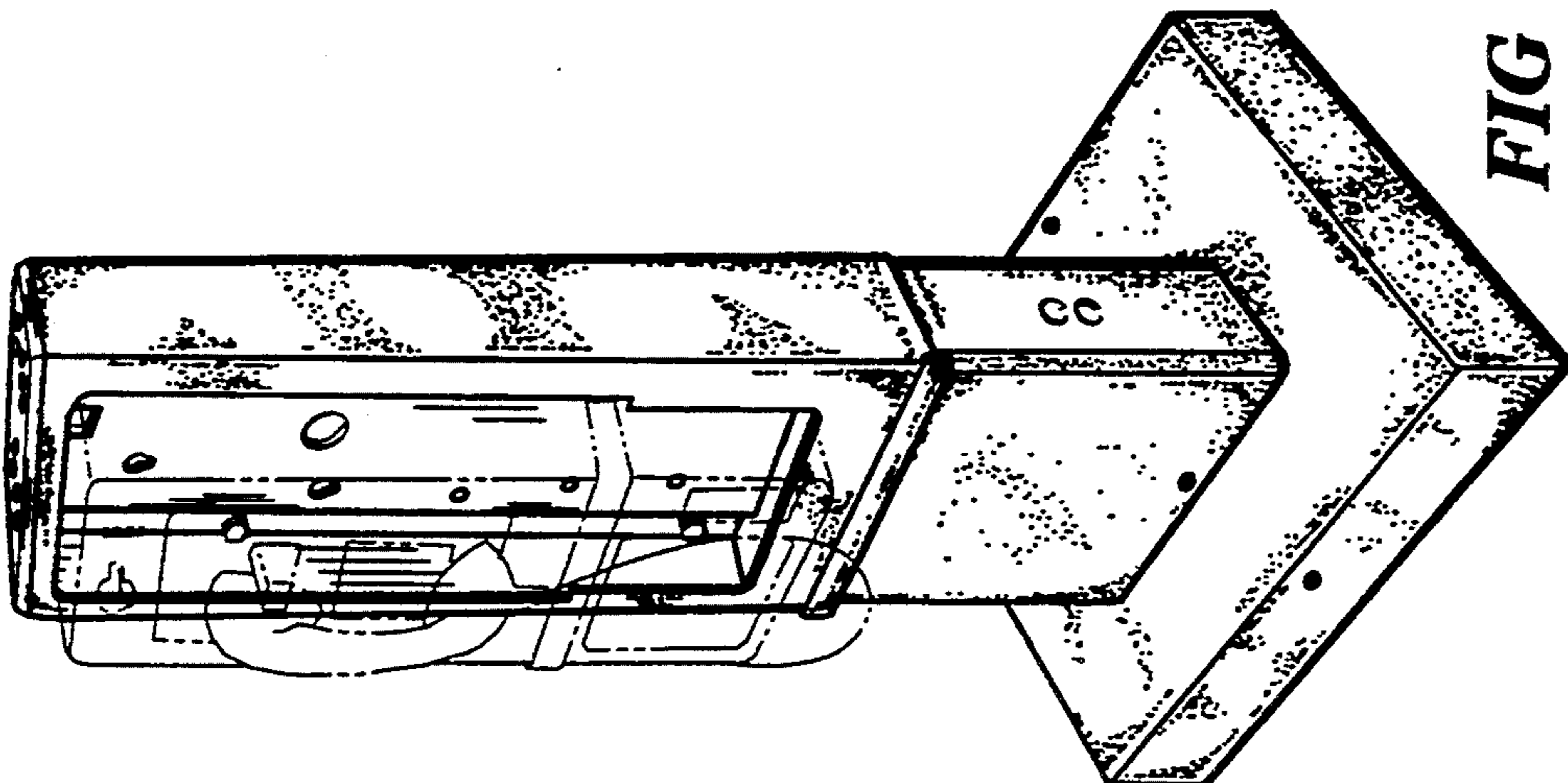


FIG 2

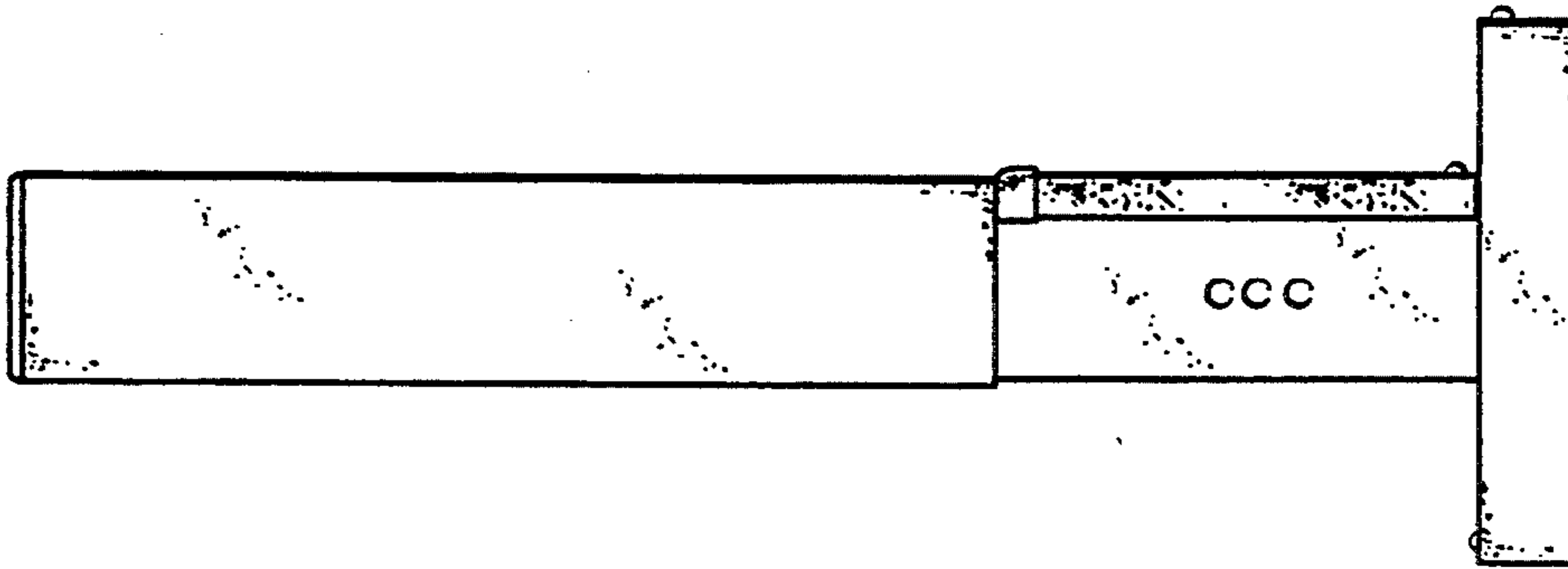


FIG 3

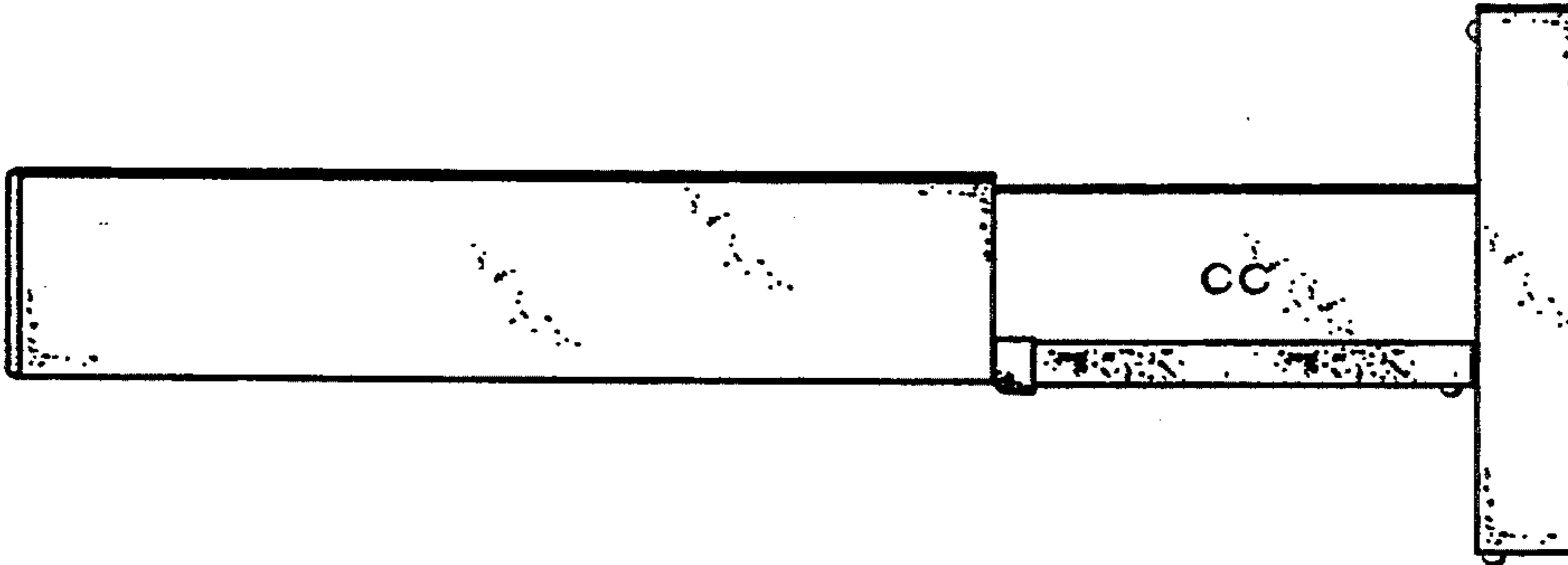


FIG 4

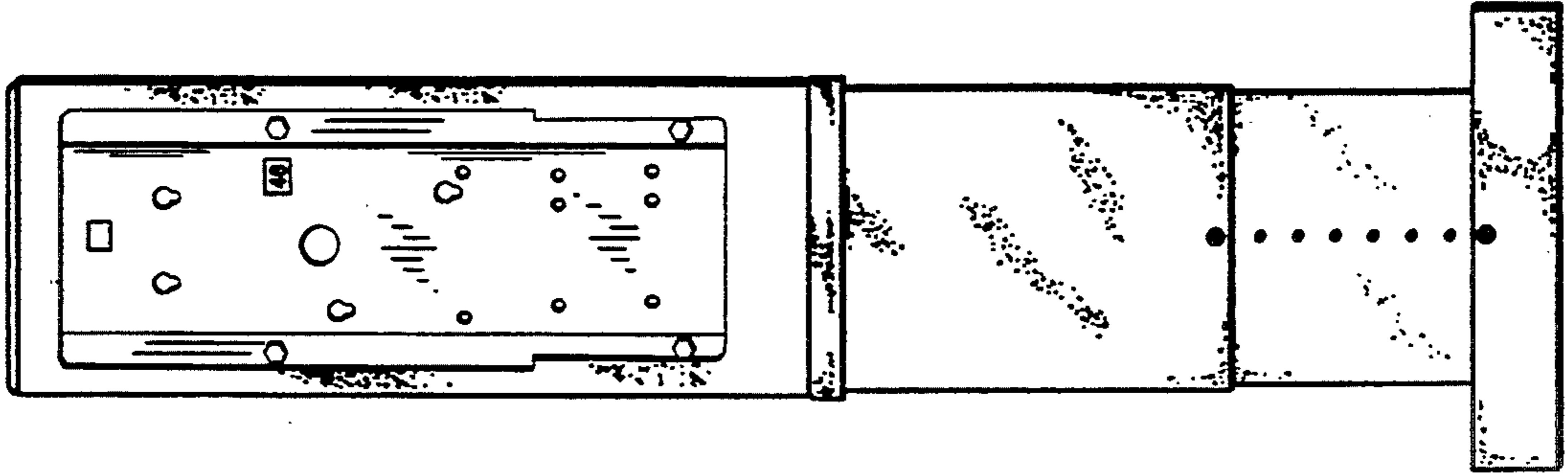


FIG 8

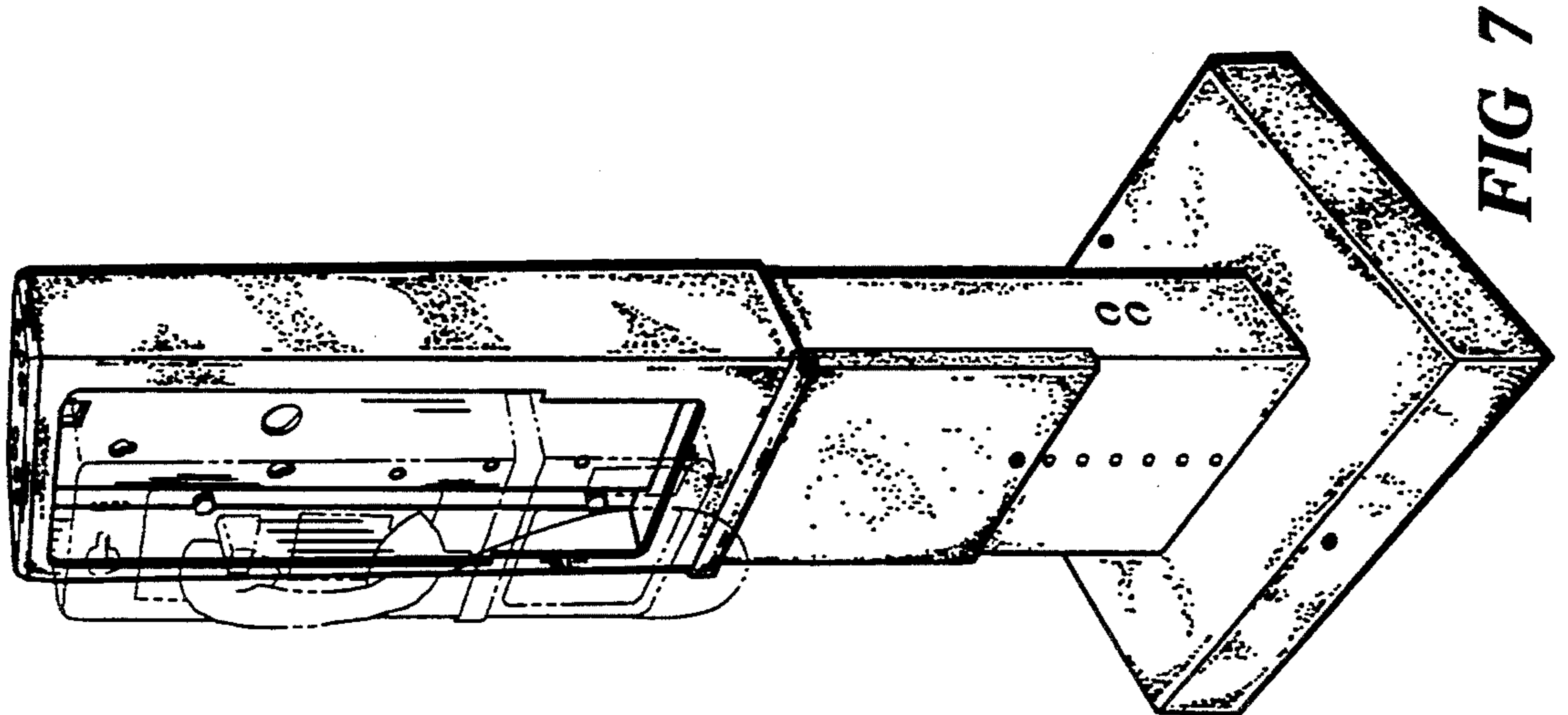


FIG 7

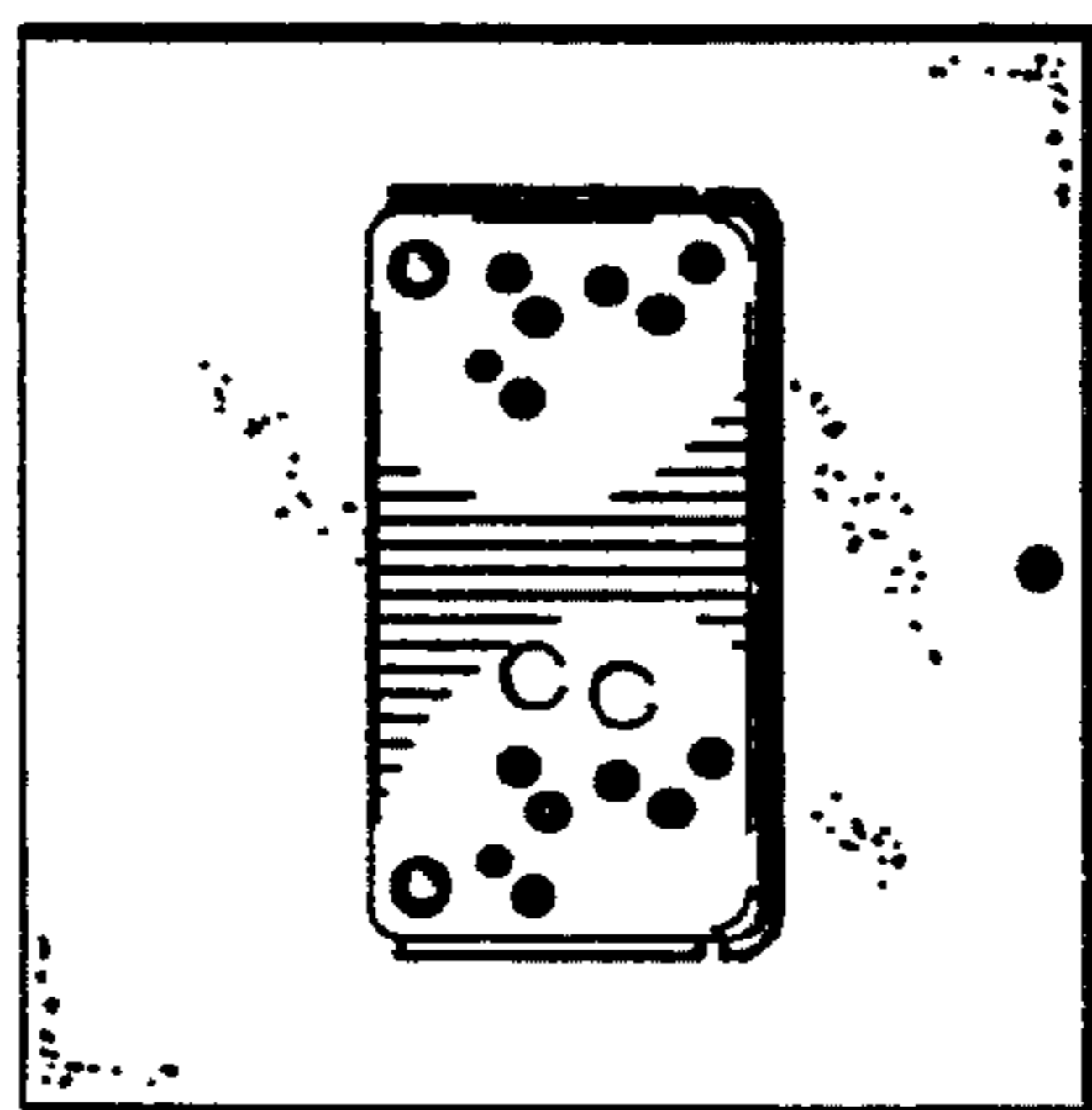


FIG 6

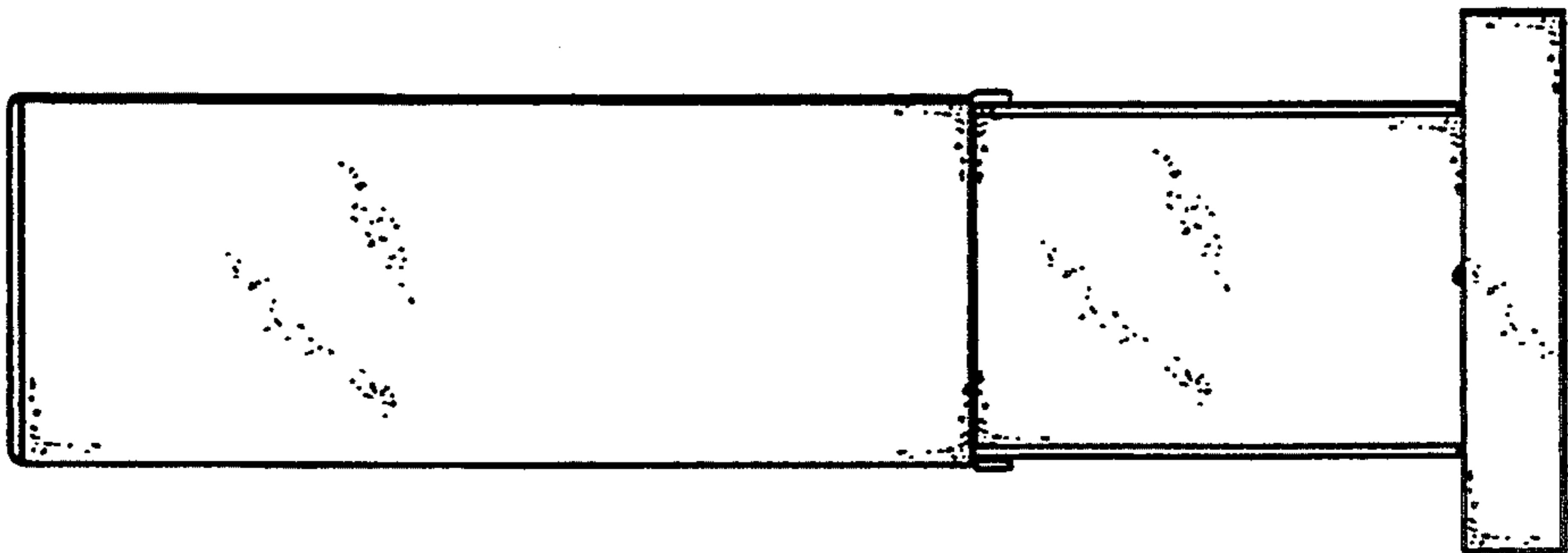


FIG 5

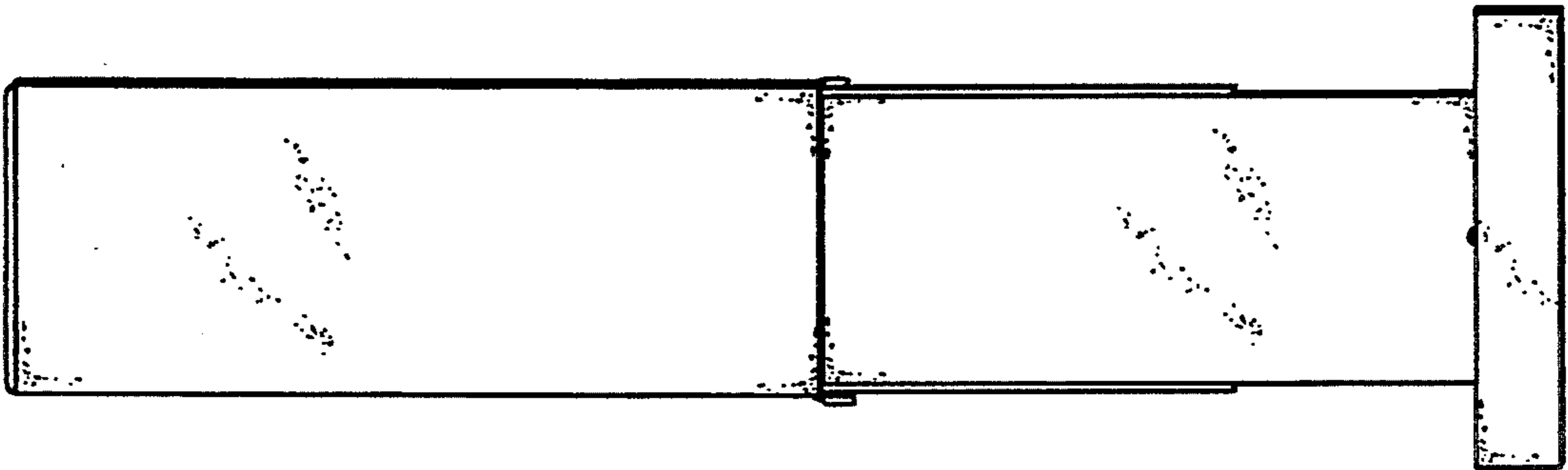


FIG 11

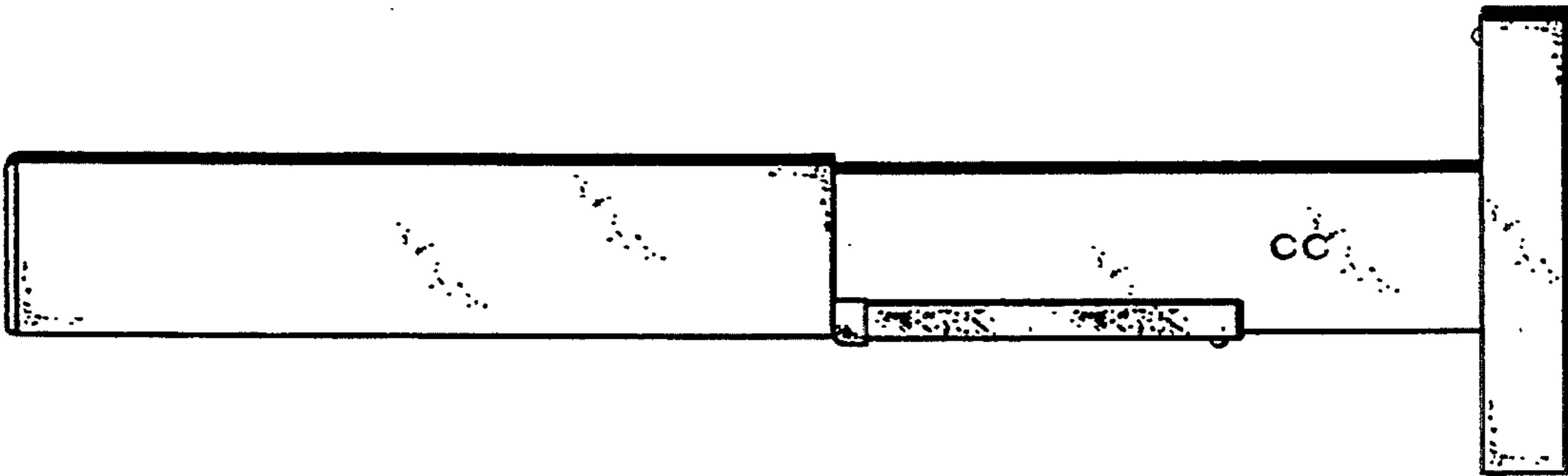


FIG 10

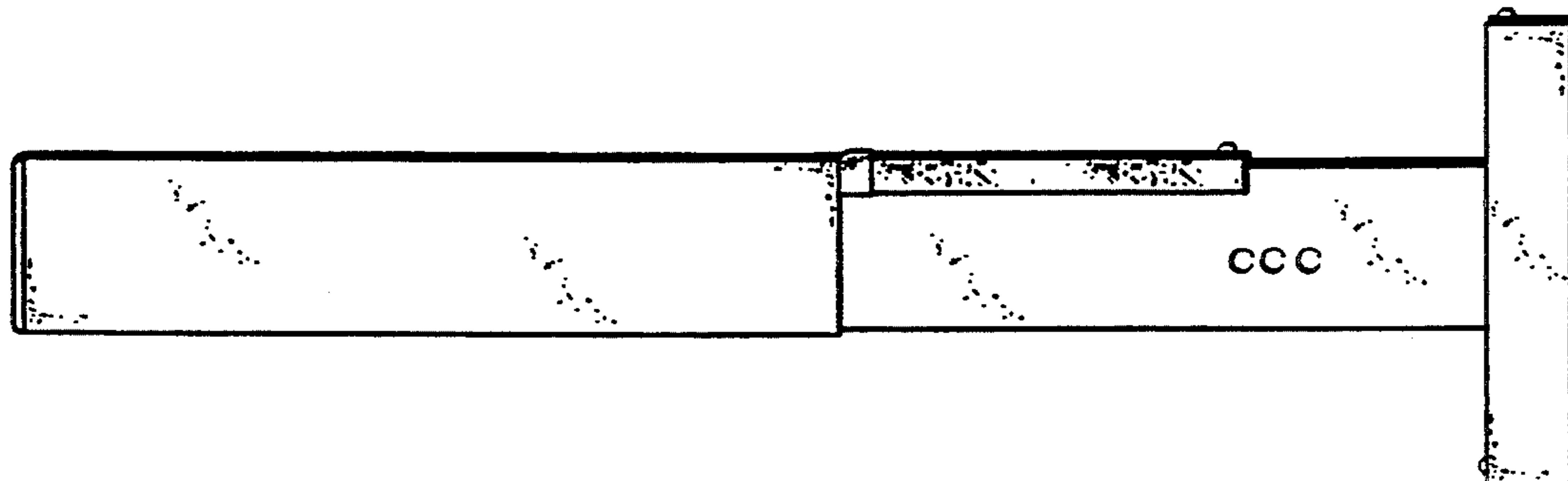


FIG 9

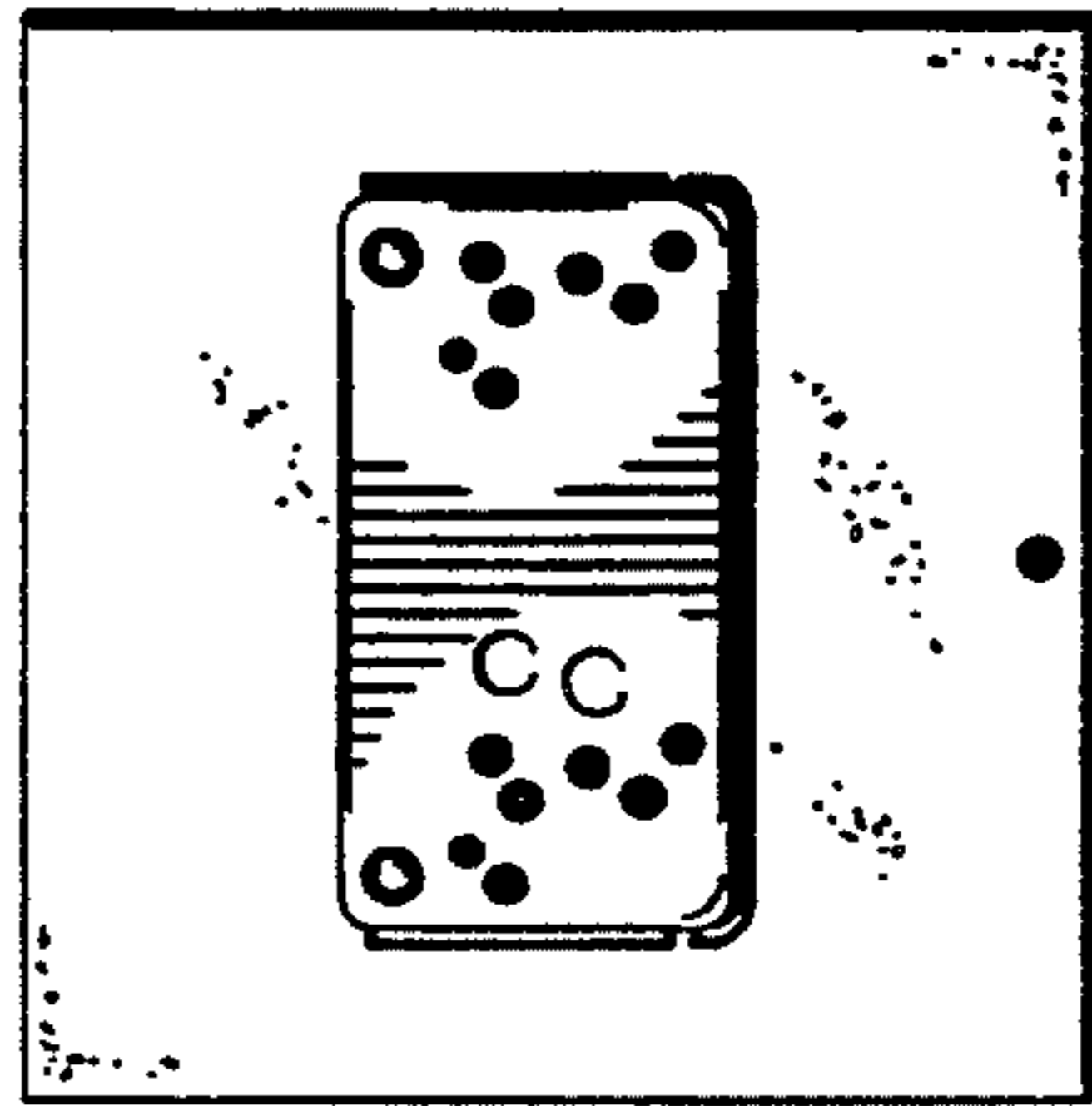


FIG 12