



US00D358941S

United States Patent [19]

[11] Patent Number: **Des. 358,941**

Hassett, Jr.

[45] Date of Patent: **** Jun. 6, 1995**

[54] WALL MIRROR ASSEMBLY

D. 340,809 11/1993 Black .
918,471 4/1909 Reaves .

[76] Inventor: **Thomas E. Hassett, Jr.**, 6 Gentry Dr.,
Warren, N.J. 07059

FOREIGN PATENT DOCUMENTS

[**] Term: **14 Years**

417058 3/1933 United Kingdom 40/152.1

[21] Appl. No.: **17,451**

OTHER PUBLICATIONS

[22] Filed: **Jan. 13, 1994**

Spiegel-Fall 1985, p. 365, #N at lower left.
"Through the Looking Glass" top left mirror.

[52] U.S. Cl. **D6/302; D6/301**

Primary Examiner—Janice E. Seeger

[58] Field of Search **D6/300, 303, 308-314;**
40/152, 152.1, 154-157; 359/854, 855

[57] CLAIM

[56] References Cited

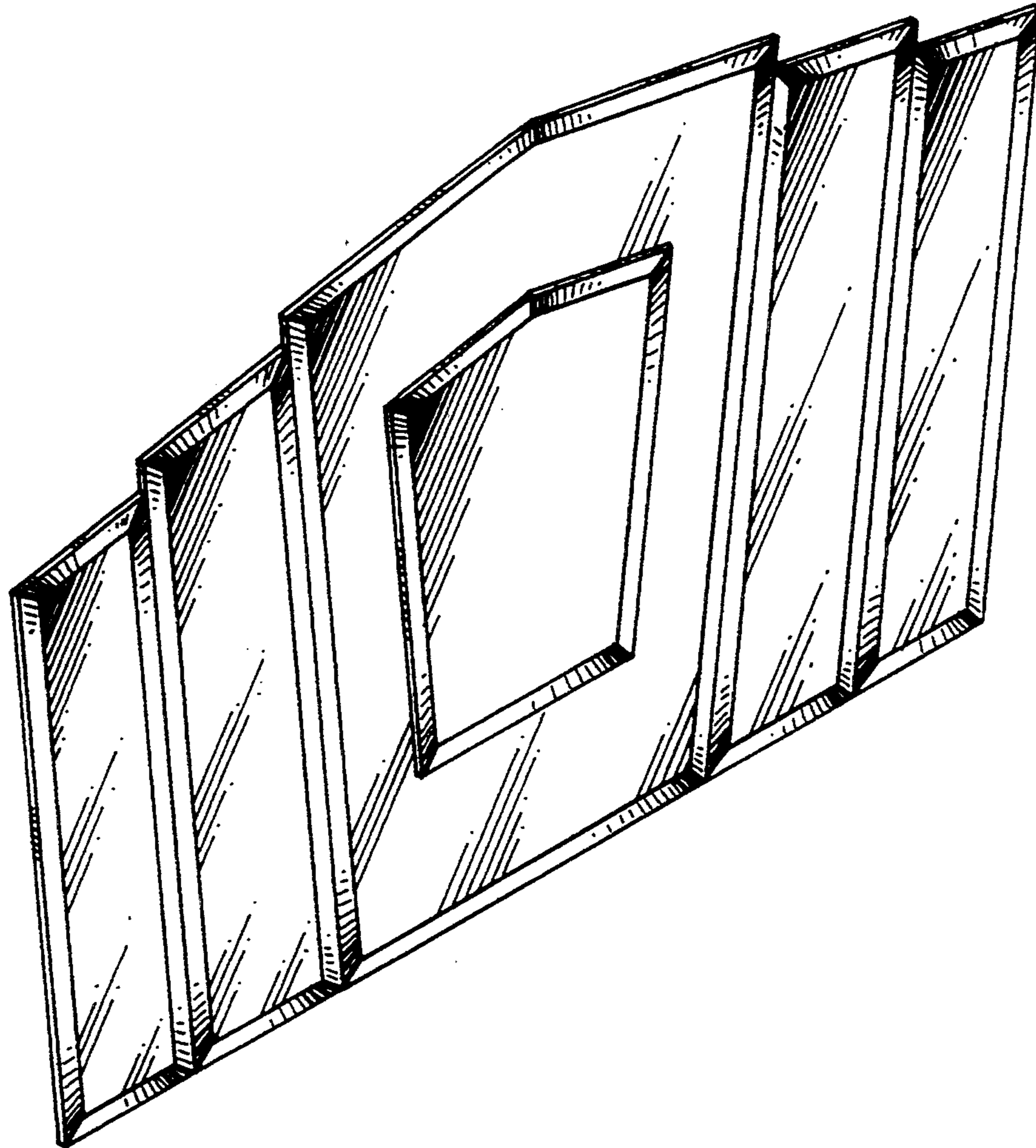
The ornamental design for a wall mirror assembly, as shown.

U.S. PATENT DOCUMENTS

DESCRIPTION

- D. 84,426 6/1931 Marchand .
- D. 87,221 6/1932 Klie .
- D. 94,391 1/1935 Pikar D6/300
- D. 128,980 8/1941 Schirmacher et al. D6/310
- D. 186,114 9/1959 Church .
- D. 255,078 5/1980 Van Koert .
- D. 261,585 11/1981 Smith .
- D. 323,068 1/1992 Pauer et al. .

FIG. 1 is a perspective view of a wall mirror assembly showing my new design;
 FIG. 2 is a front elevational view thereof;
 FIG. 3 is a side elevational view thereof;
 FIG. 4 is a top view thereof;
 FIG. 5 is a rear elevational view thereof; and,
 FIG. 6 is a bottom view thereof.



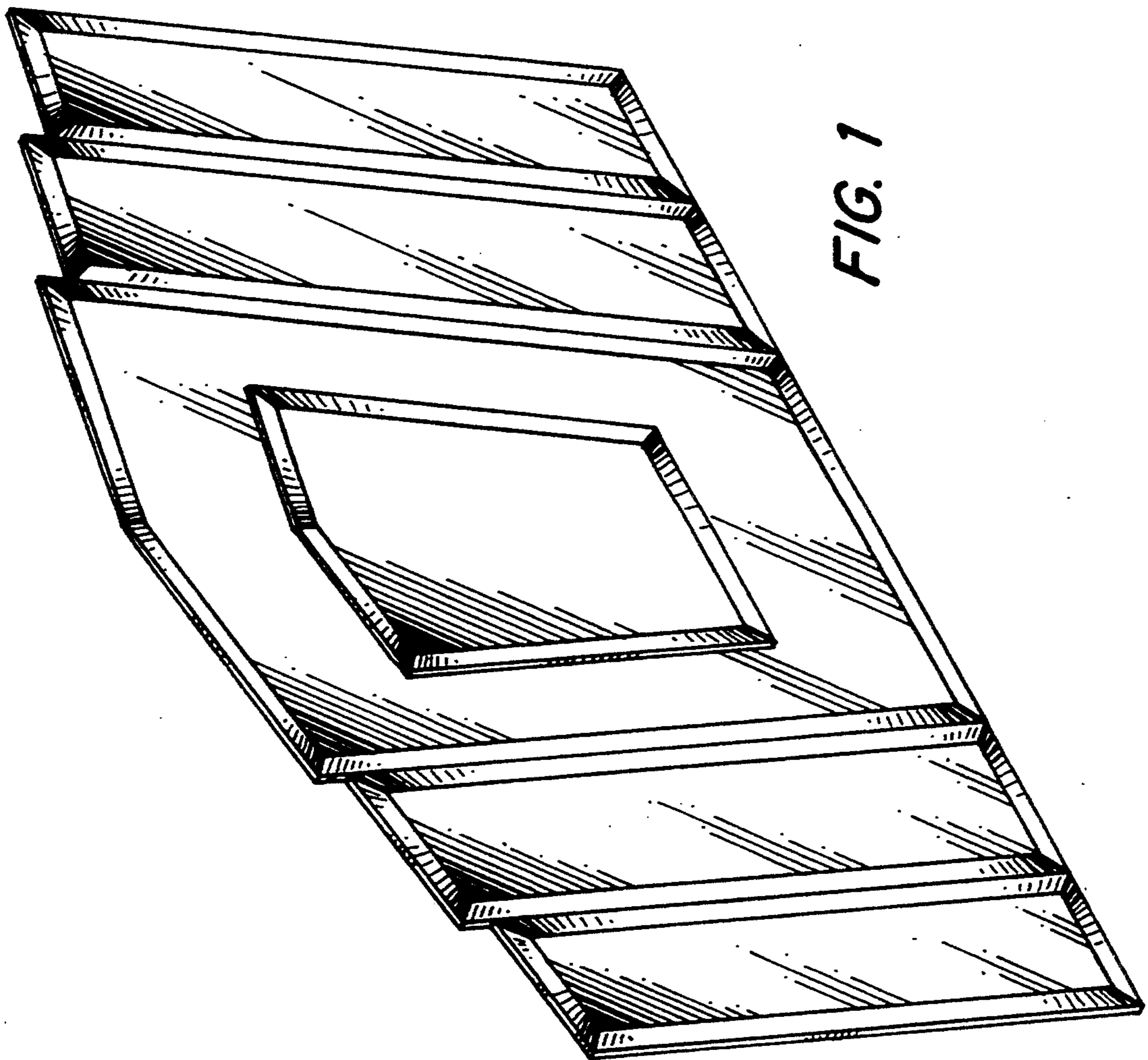


FIG. 1



FIG. 3

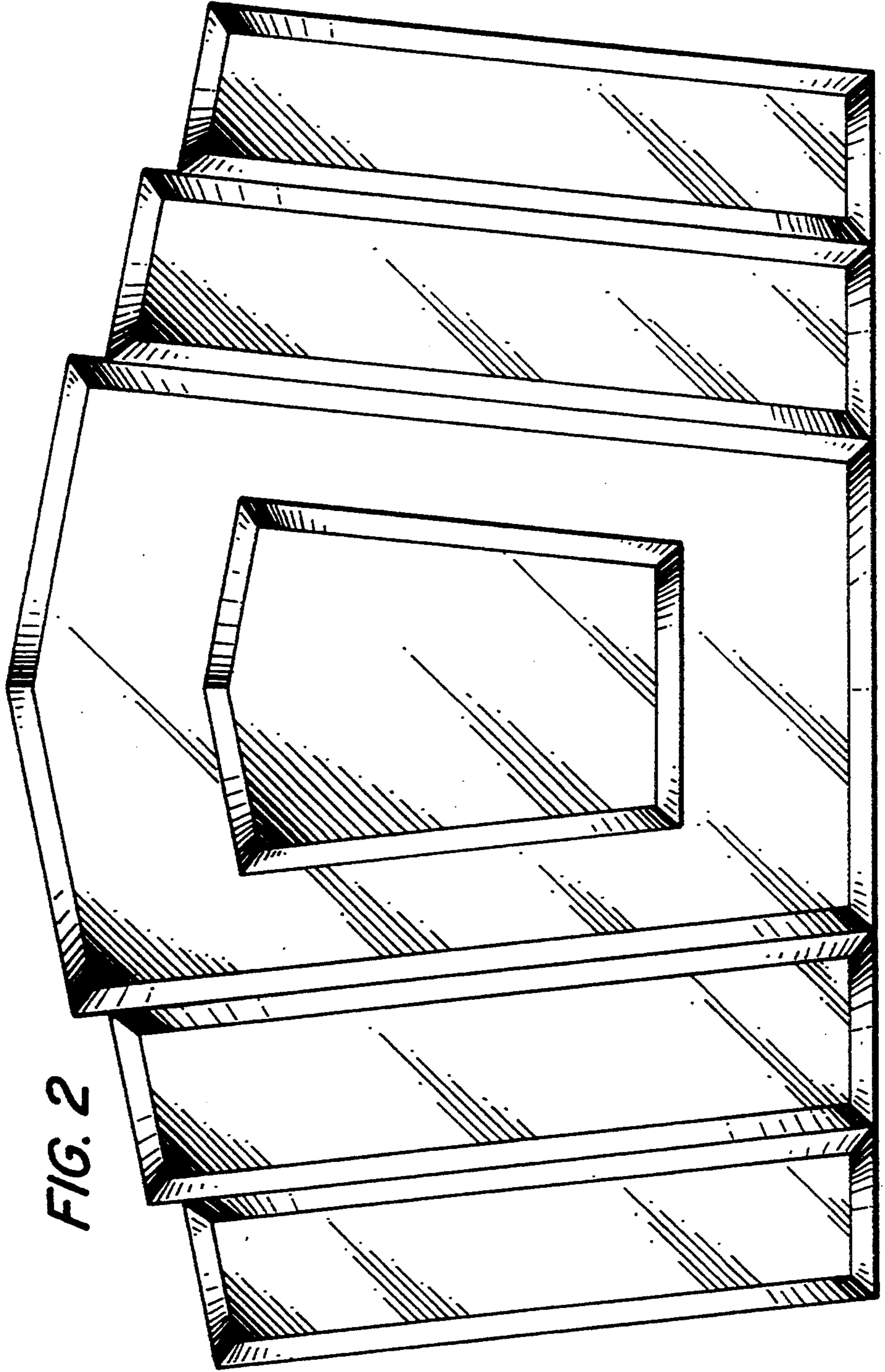


FIG. 2

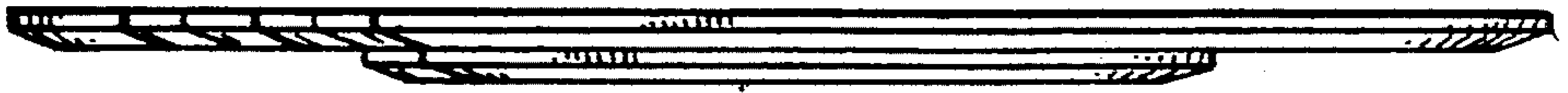


FIG. 4

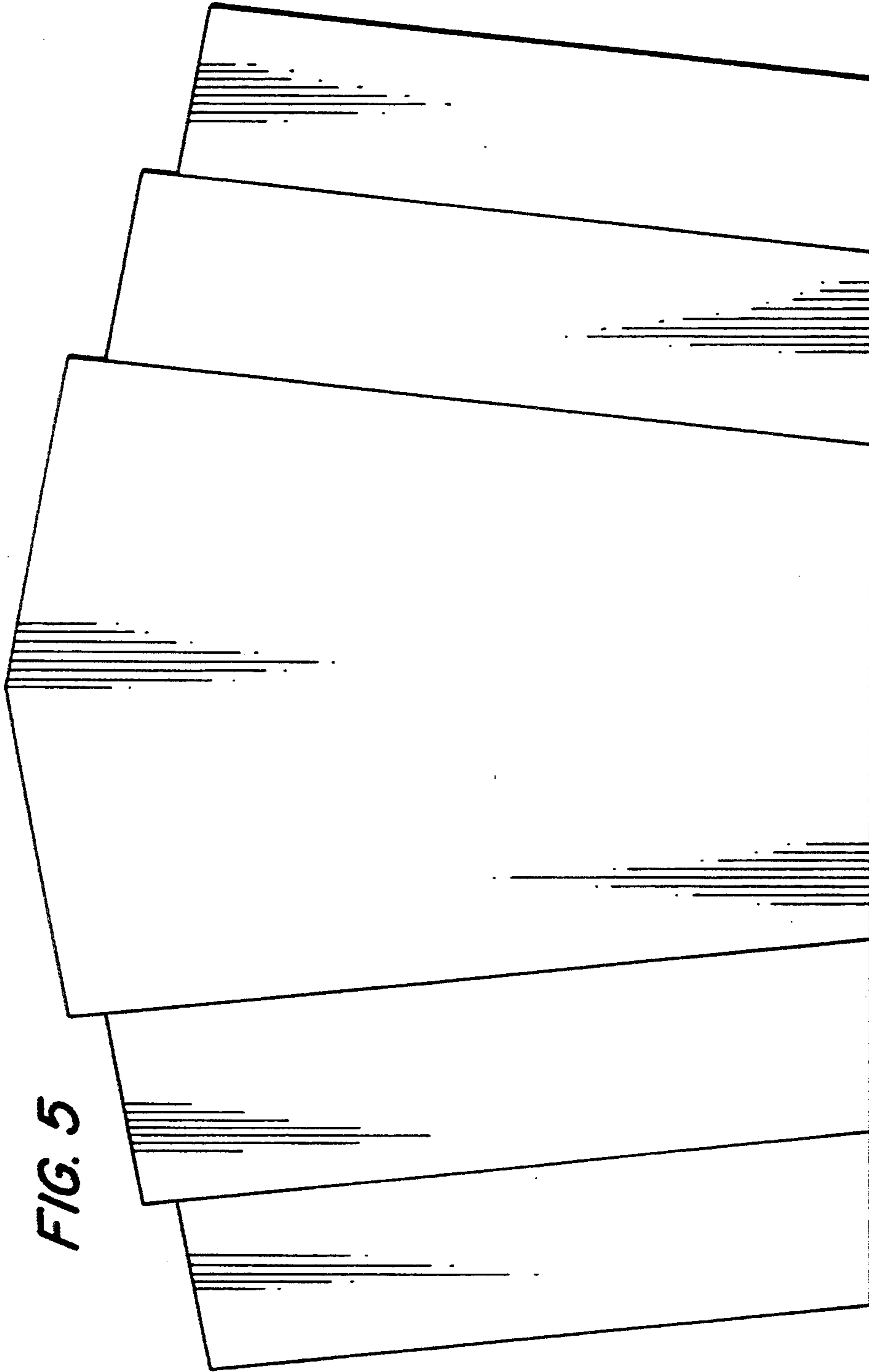


FIG. 5

FIG. 6

