



US00D358935S

# United States Patent [19]

Chang et al.

[11] Patent Number: Des. 358,935

[45] Date of Patent: \*\* Jun. 6, 1995

[54] COMPUTER CASE

[76] Inventors: **S. J. Chang**, 13-3 Sanjung Dong Joon-Ku, Burchum City, Kyunggi-Do, Rep. of Korea; **Joseph J. Berman**, 55 Mountain View Ter., Hillsdale, N.J. 07642

[\*\*] Term: 14 Years

[21] Appl. No.: 14,581

[22] Filed: Oct. 22, 1993

[52] U.S. Cl. .... D3/289; D3/276; D3/900

[58] Field of Search ..... D3/273, 276, 285, 288, D3/289, 301, 303, 900; 190/100, 110, 111, 115, 900, 901, 903

[56] **References Cited**

**U.S. PATENT DOCUMENTS**

21,381	8/1858	Timby .	
D. 116,977	10/1939	Bellau .....	D3/301
D. 132,618	6/1942	Russell .....	D3/284
D. 276,953	1/1985	Weinreb .....	D3/289 X
D. 278,859	5/1985	Katz et al. ....	D3/301
1,712,448	5/1929	Eckhardt .	
2,002,878	5/1935	Belber .....	190/44
2,316,328	4/1943	Guenther et al. ....	190/110
2,536,169	1/1951	Gray .....	150/1.6
2,539,051	1/1951	Benonfeld .....	150/1.6
2,621,139	12/1952	Messing .....	154/106
2,723,962	11/1955	Hedges .....	260/22
2,907,420	10/1959	Doppelt .....	190/51
3,321,053	5/1967	Doppelt .....	190/15
3,443,671	5/1969	Dyke .....	190/43
3,544,418	12/1970	Holtzman .....	161/92
4,773,515	9/1988	Kotkins .	
4,872,538	10/1989	Fournier .....	190/111

4,953,673	9/1990	Amhasz .
5,065,847	11/1991	Hsieh .
5,132,166	7/1992	Adams et al. .

**FOREIGN PATENT DOCUMENTS**

725576	11/1931	France .
1557292	3/1968	France .
8113192	6/1981	France .
0001892	of 1892	United Kingdom .
158755	2/1921	United Kingdom .
225610	12/1924	United Kingdom .
261923	12/1926	United Kingdom .
588568	5/1947	United Kingdom .
2173393	10/1986	United Kingdom .
2245250	2/1992	United Kingdom .

**OTHER PUBLICATIONS**

Prototype.

*Primary Examiner*—Theodore M. Shooman  
*Assistant Examiner*—Dominic Simone  
*Attorney, Agent, or Firm*—Weingram & Zall

[57] **CLAIM**

The ornamental design for a computer case, as shown.

**DESCRIPTION**

FIG. 1 is a perspective view of a computer case showing my new design;  
FIG. 2 is a right side elevational view thereof;  
FIG. 3 is a top plan view thereof;  
FIG. 4 is a front elevational view thereof;  
FIG. 5 is a bottom plan view thereof;  
FIG. 6 is a rear elevational view thereof;  
FIG. 7 is a left side elevational view thereof;  
FIG. 8 is a perspective view thereof, in an open position; and,  
FIG. 9 is a top plan view of FIG. 8.

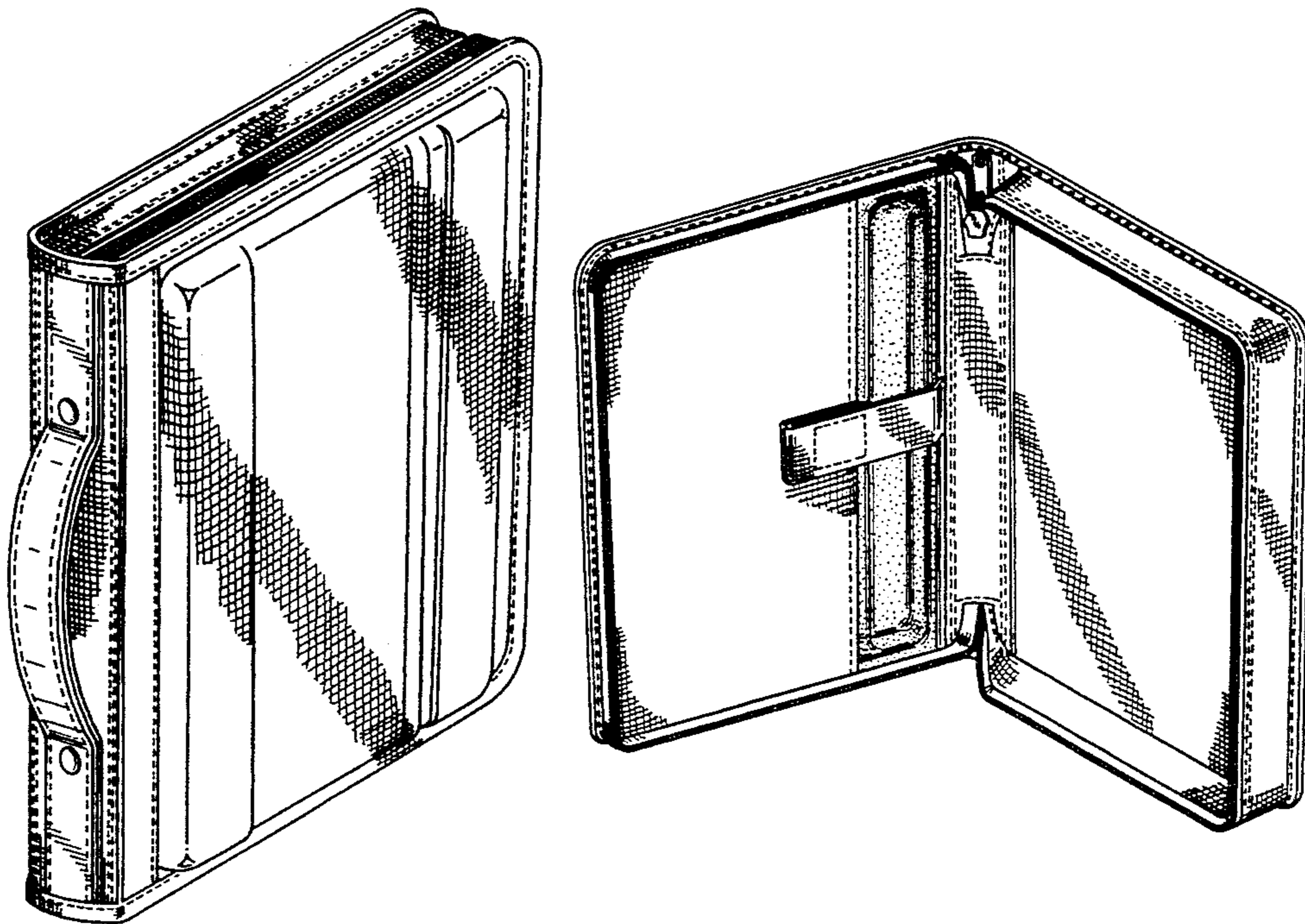


FIG-1

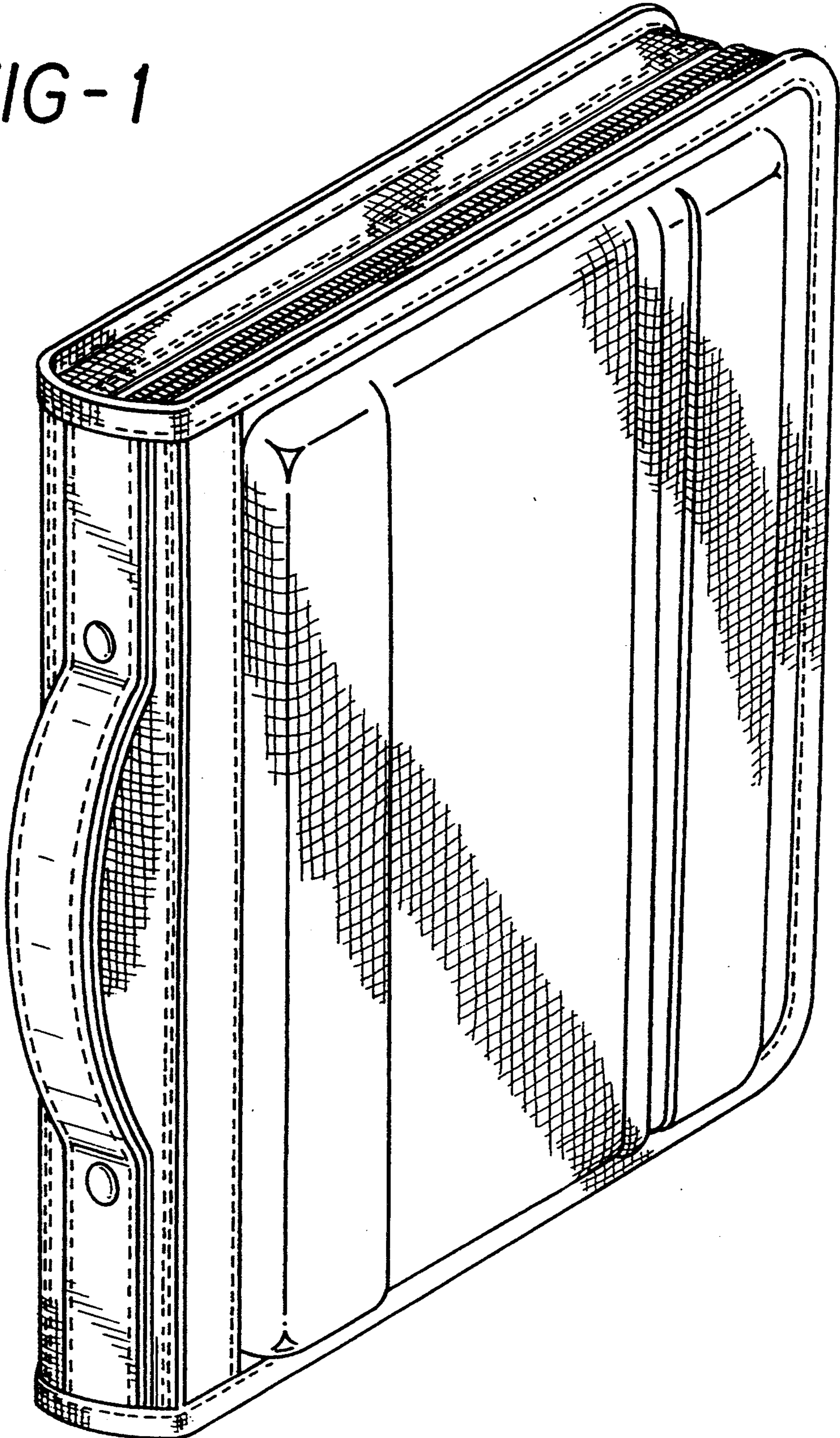


FIG-2

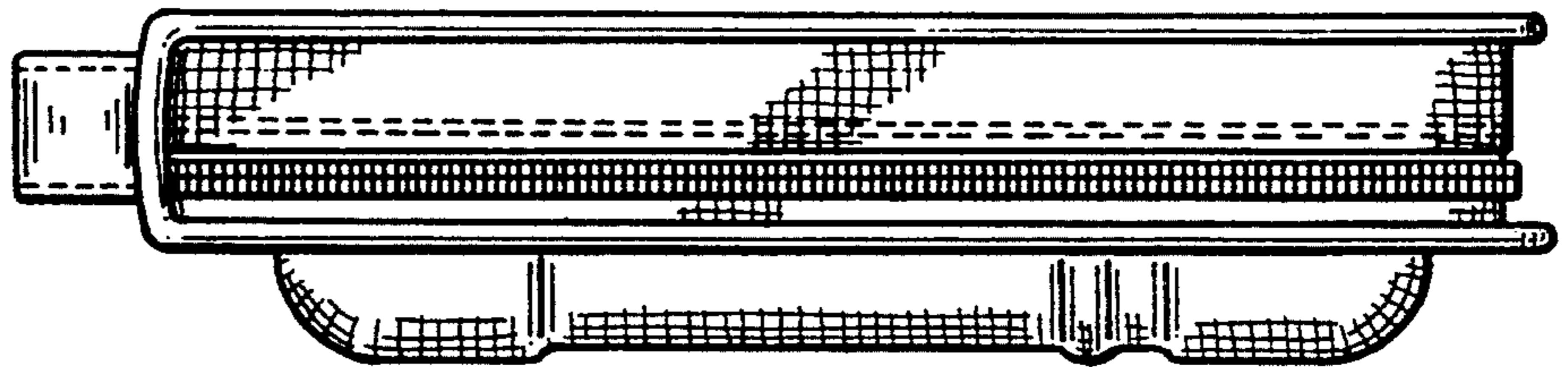


FIG-3

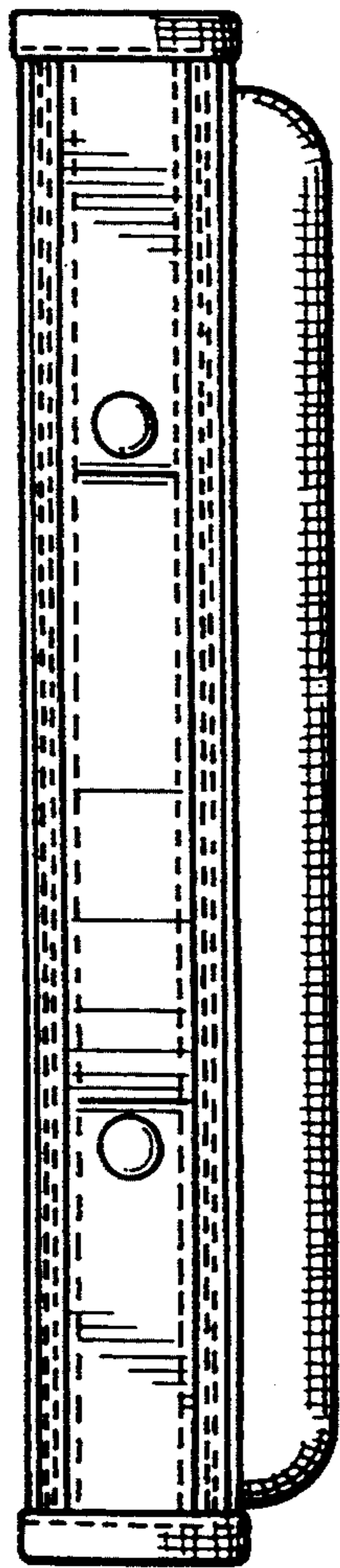


FIG-4

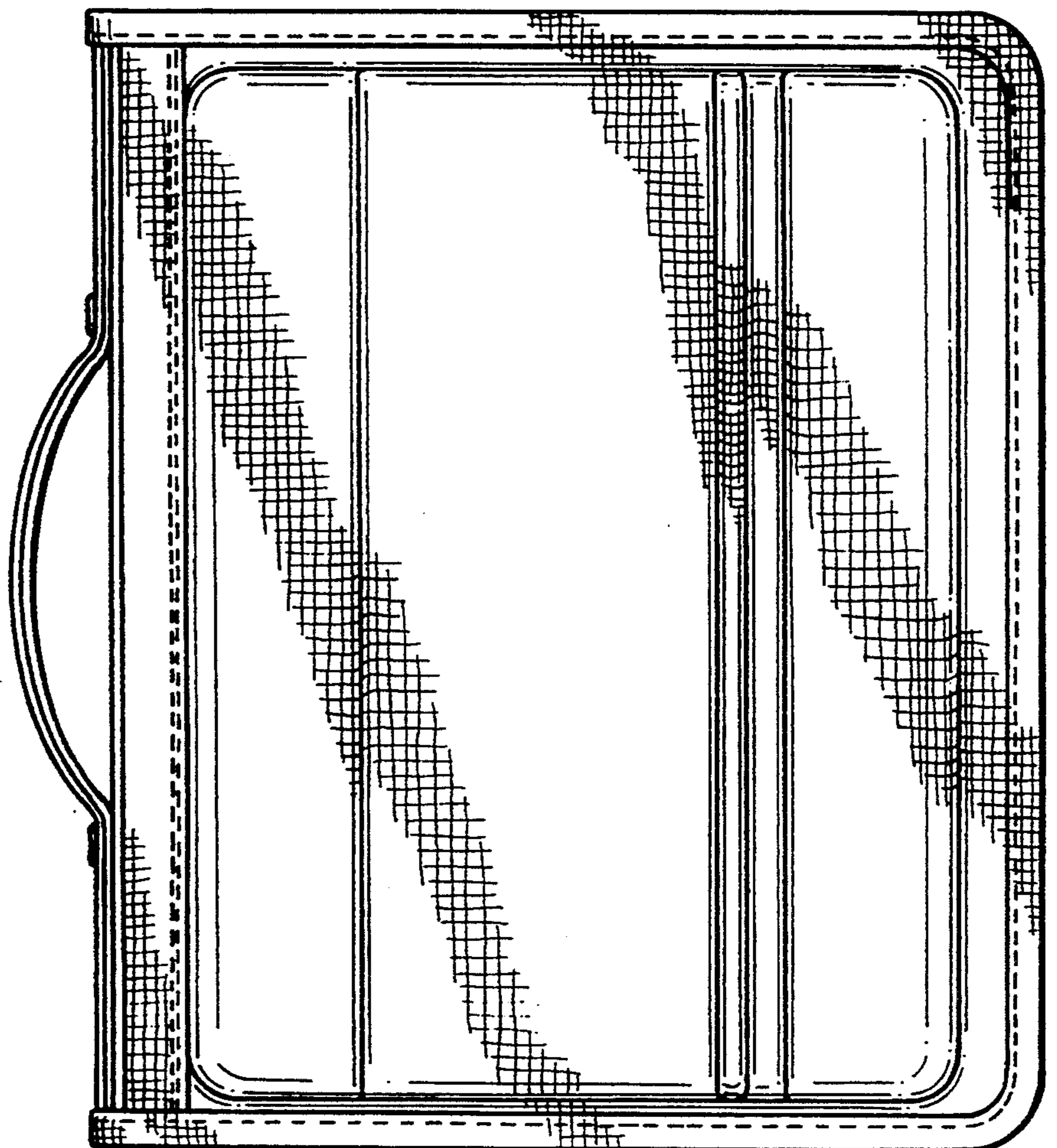


FIG-5

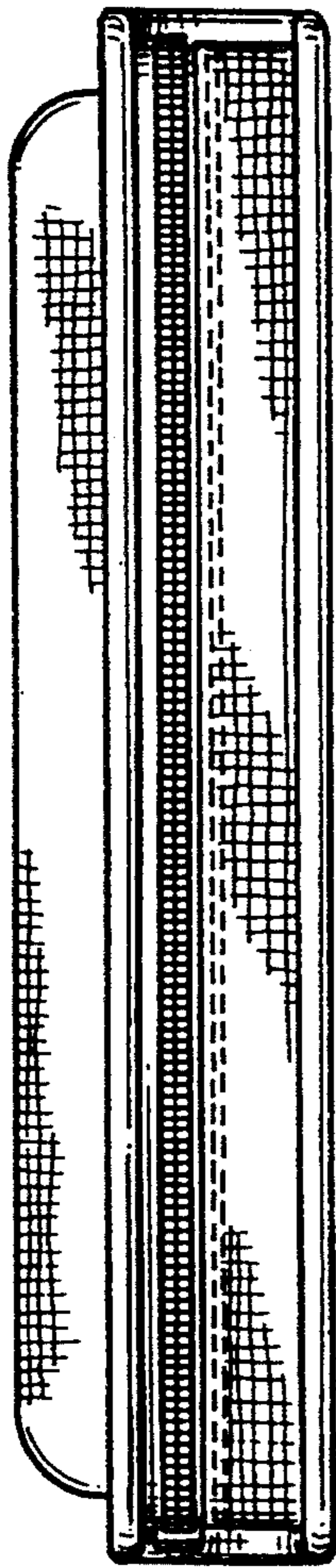


FIG-6

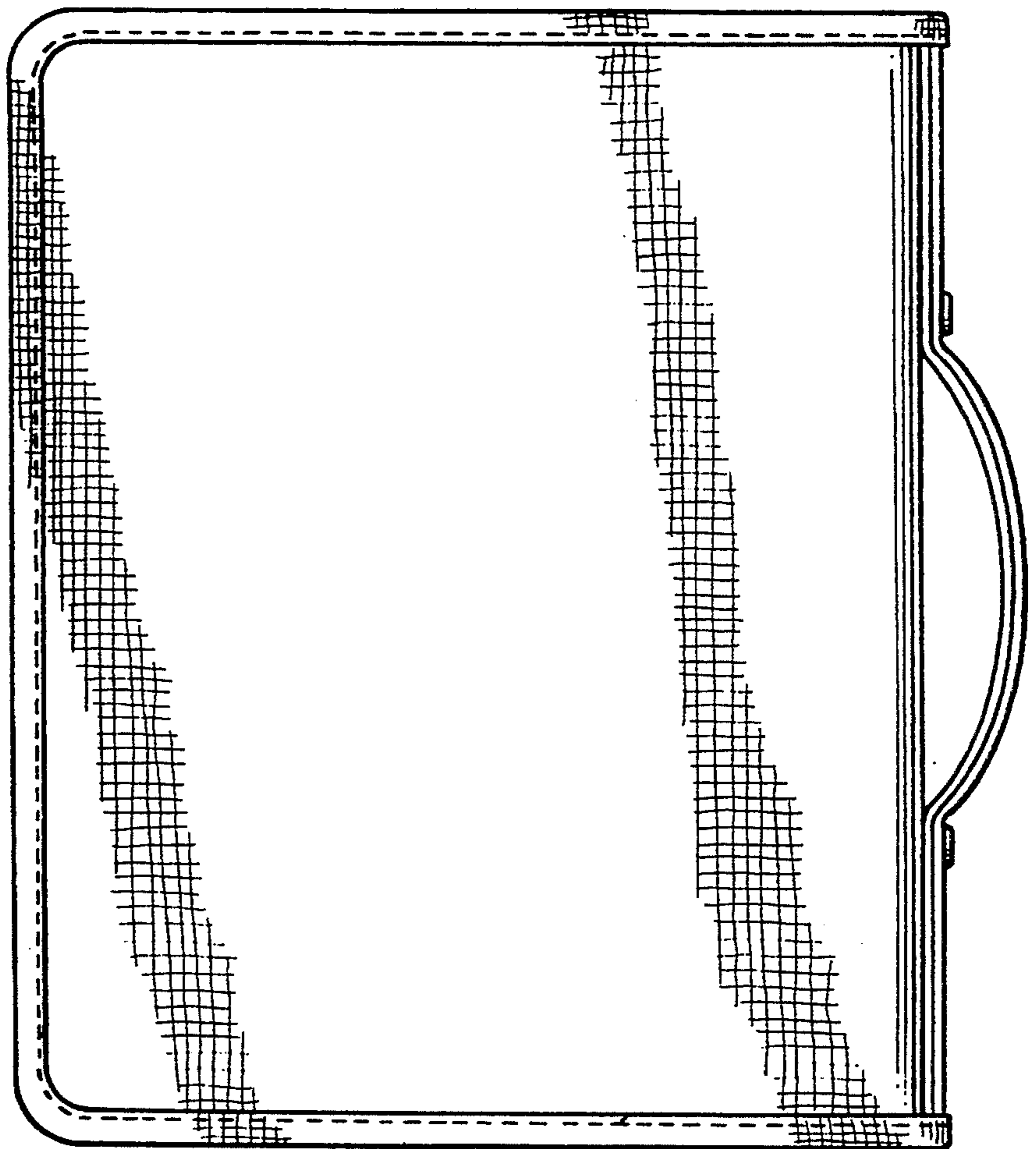
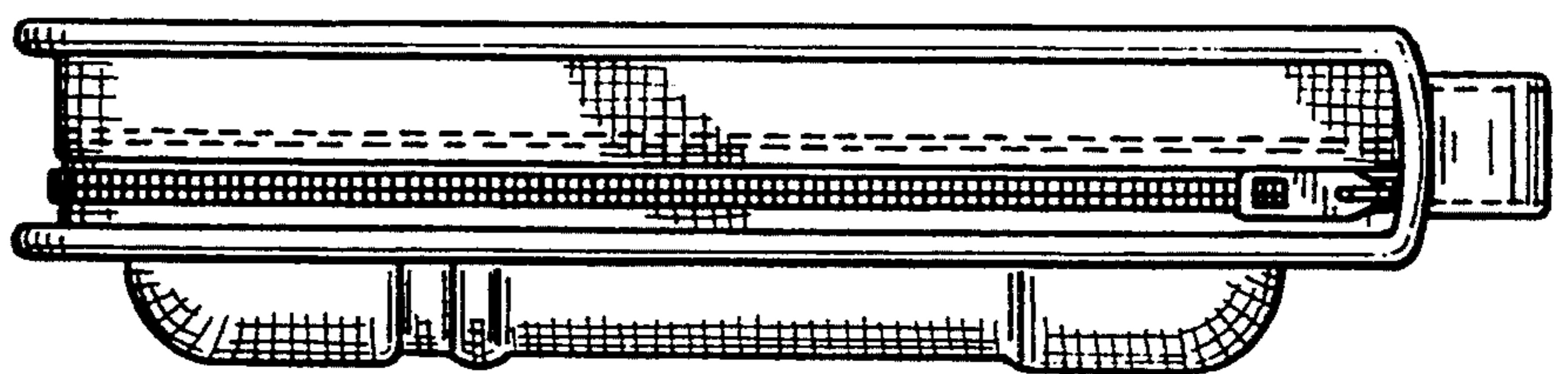


FIG-7



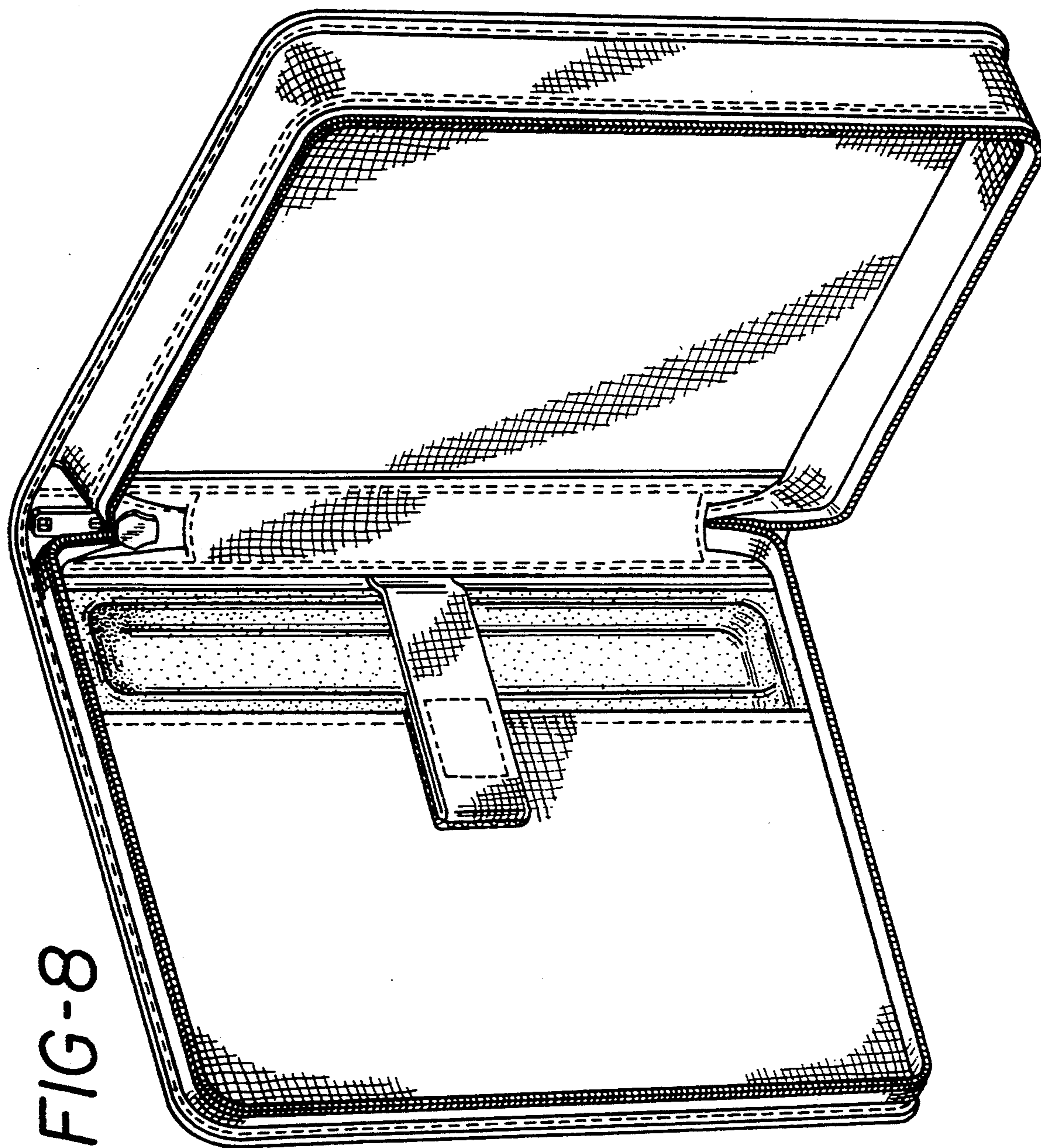


FIG-8

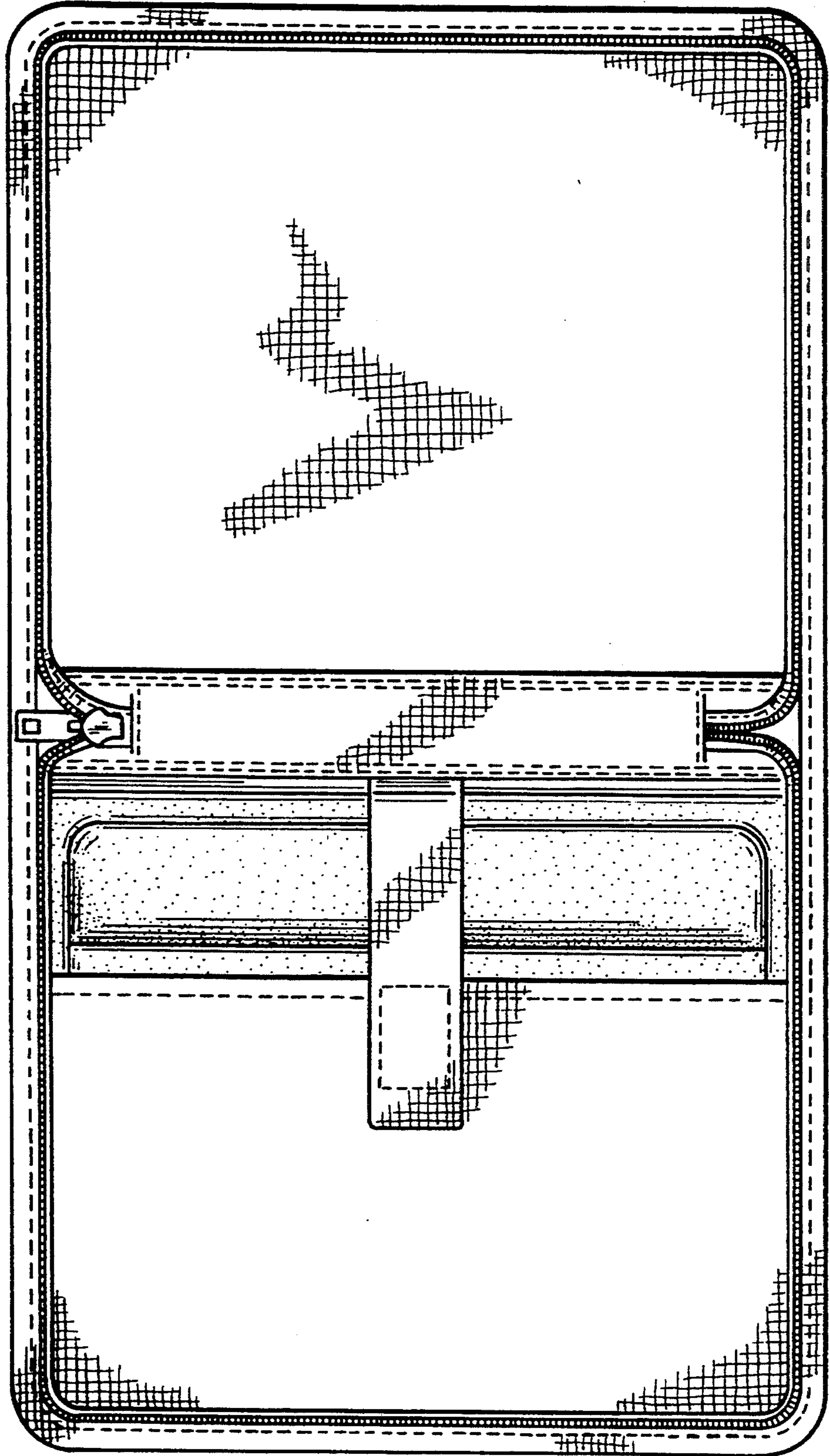


FIG-9