



US00D358931S

United States Patent [19]

[11] Patent Number: **Des. 358,931**

Vanhuyse

[45] Date of Patent: **** Jun. 6, 1995**

[54] **SPOOL**

1,981,771 11/1934 Bengé 242/118
2,657,876 11/1953 Bieber 242/118 X

[75] Inventor: **Hervé Vanhuyse**, Bavikhove, Belgium

FOREIGN PATENT DOCUMENTS

[73] Assignee: **N.V. Bekaert S.A.**, Zwevegem, Belgium

306785 4/1933 Italy 242/118

[**] Term: **14 Years**

OTHER PUBLICATIONS

[21] Appl. No.: **3,864**

Precision Paper Tube Co. Form No. 637, Bobbin at bottom right.

[22] Filed: **Jan. 19, 1993**

Primary Examiner—Louis S. Zarfás
Attorney, Agent, or Firm—Shlesinger Arkwright & Garvey

[30] Foreign Application Priority Data

Jul. 20, 1992 [BX] Benelux TM/Des. Off. 67841-01
Jul. 20, 1992 [BX] Benelux TM/Des. Off. 67841-02
Jul. 20, 1992 [BX] Benelux TM/Des. Off. 67841-03
Jul. 20, 1992 [BX] Benelux TM/Des. Off. 67841-04

[57] CLAIM

The ornamental design for the spool, as shown and described.

[52] U.S. Cl. **D3/24**

DESCRIPTION

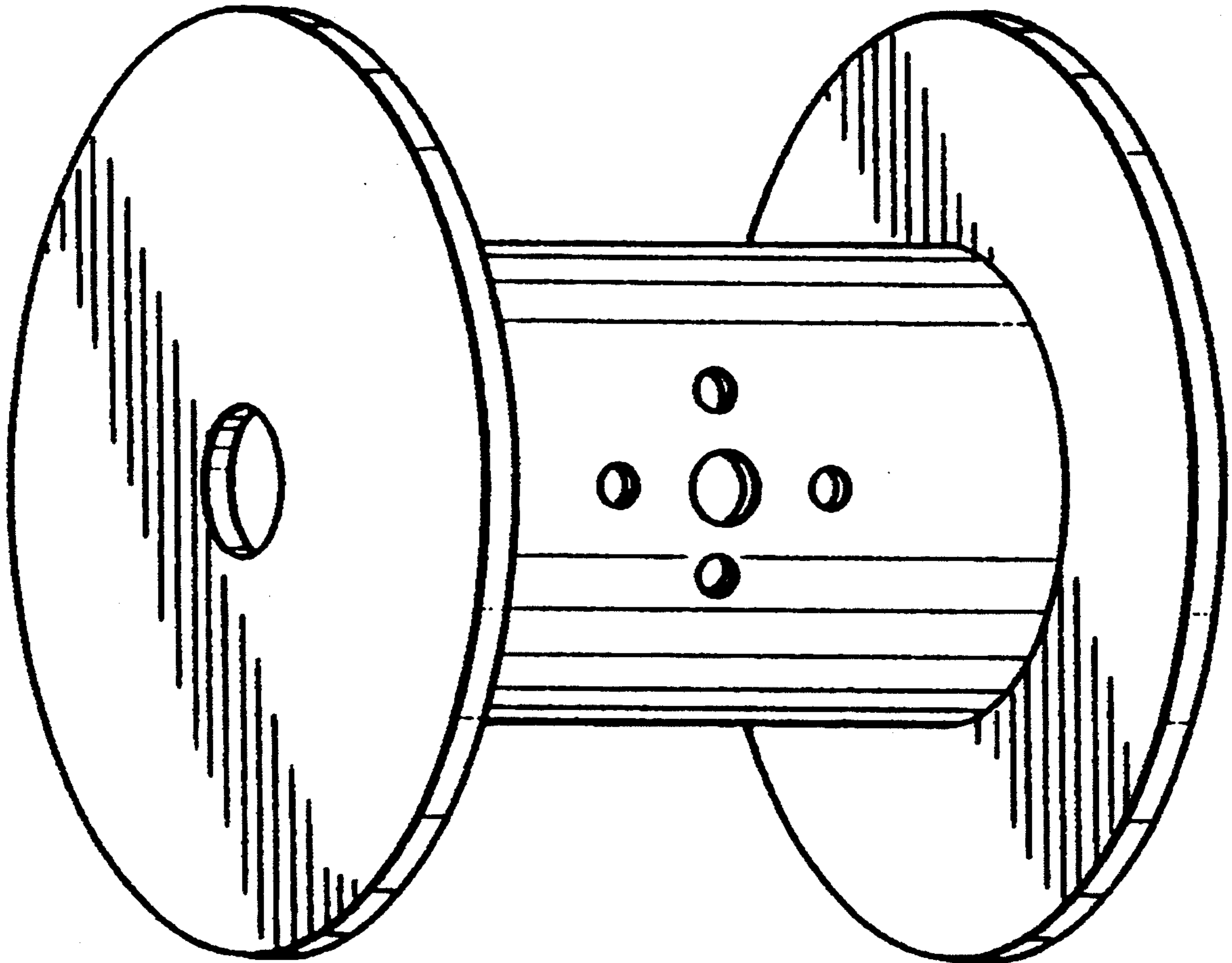
[58] Field of Search D3/18, 23, 24, 25; D28/35, 37; 242/118, 130, 134, 139, 141

FIG. 1 is a perspective view of a spool showing one preferred embodiment of my new design; FIG. 2 is a front elevational view of FIG. 1; FIG. 3 is an end view of my new design of FIG. 1, the opposite end view being substantially the same; and, FIG. 4 is a rear plan view of the preferred embodiment of FIG. 1.

[56] References Cited

U.S. PATENT DOCUMENTS

D. 168,530 1/1953 Black D3/18
833,174 10/1906 Palmer 242/118



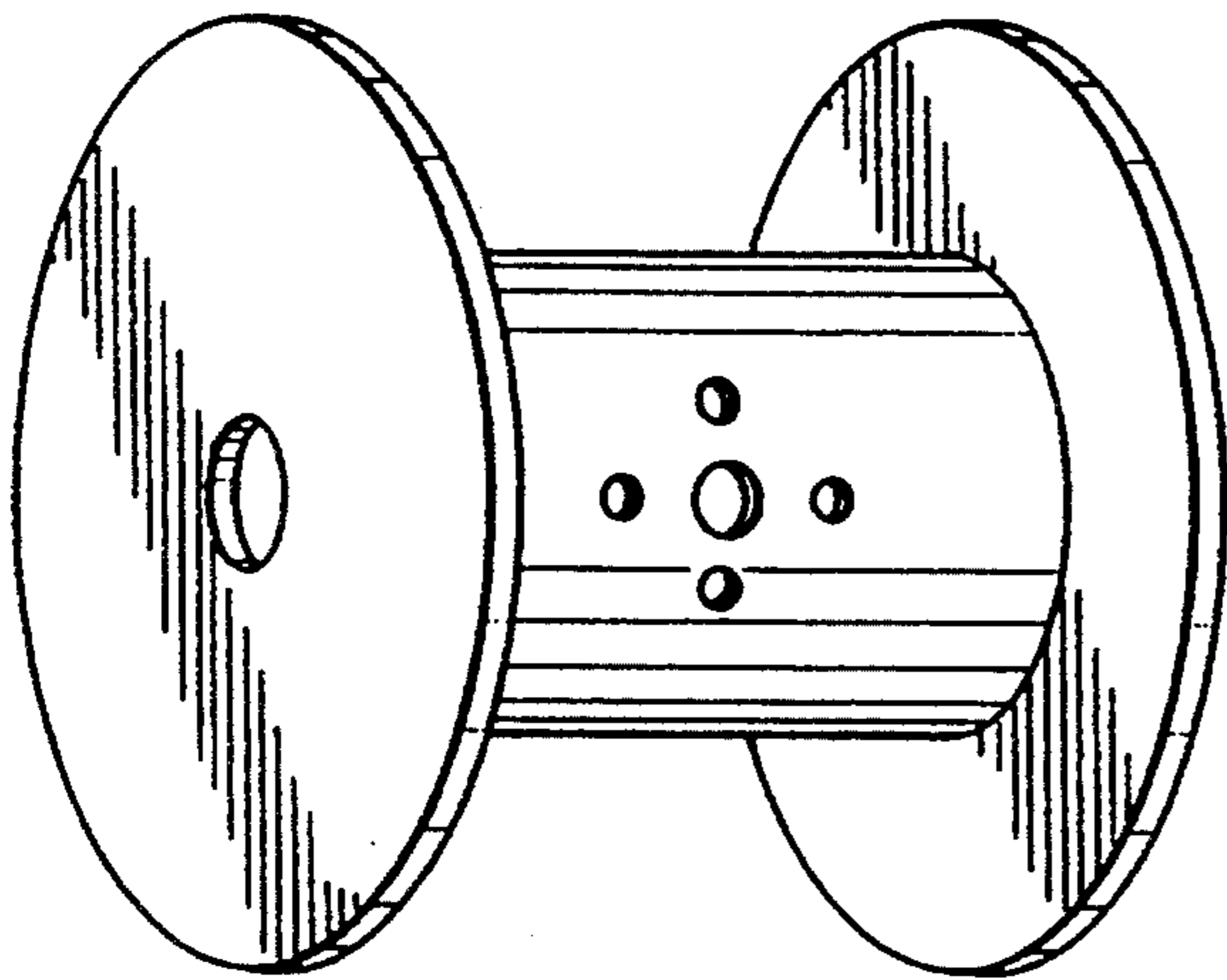


Fig. 1

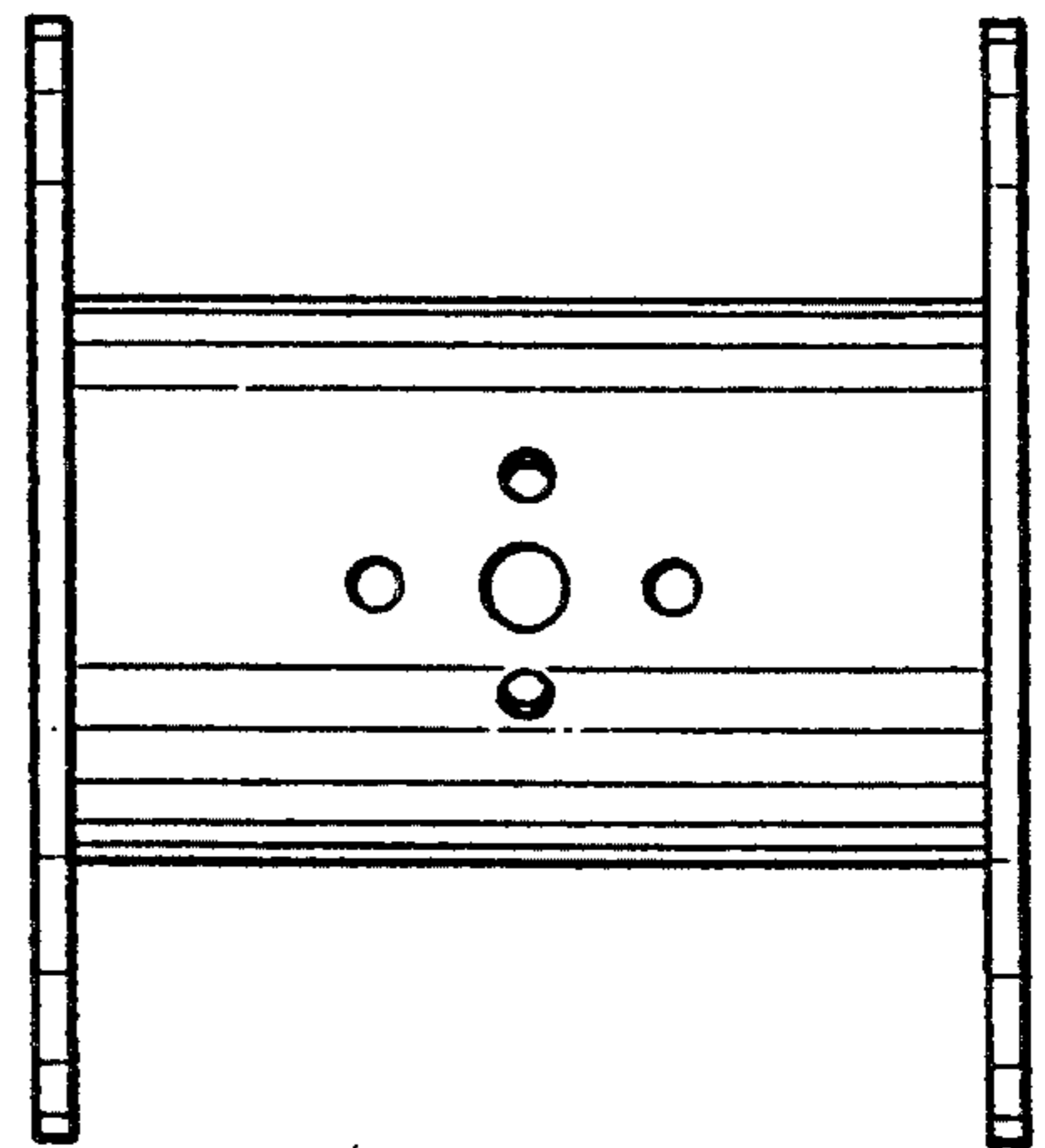


Fig. 2

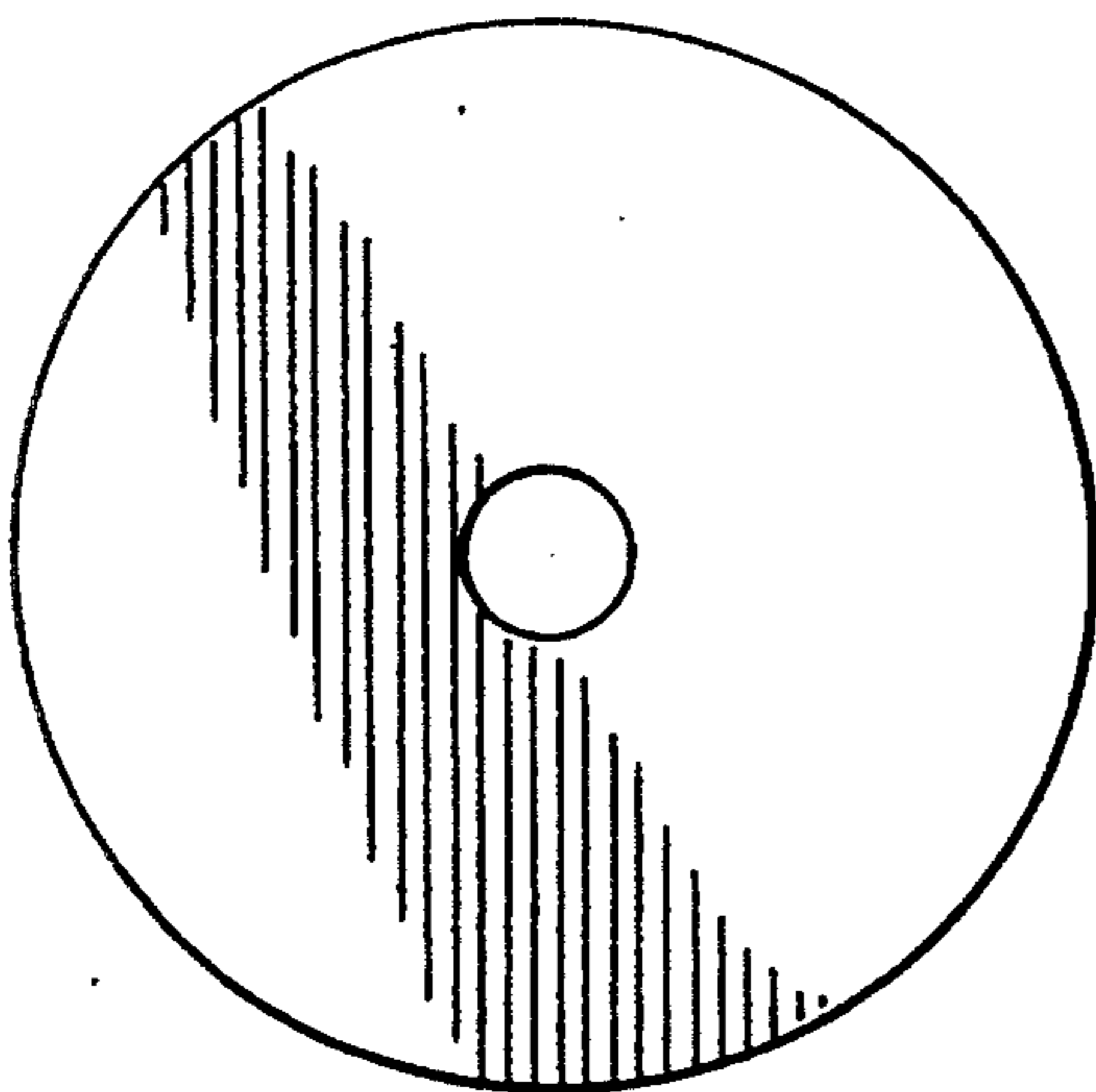


Fig. 3

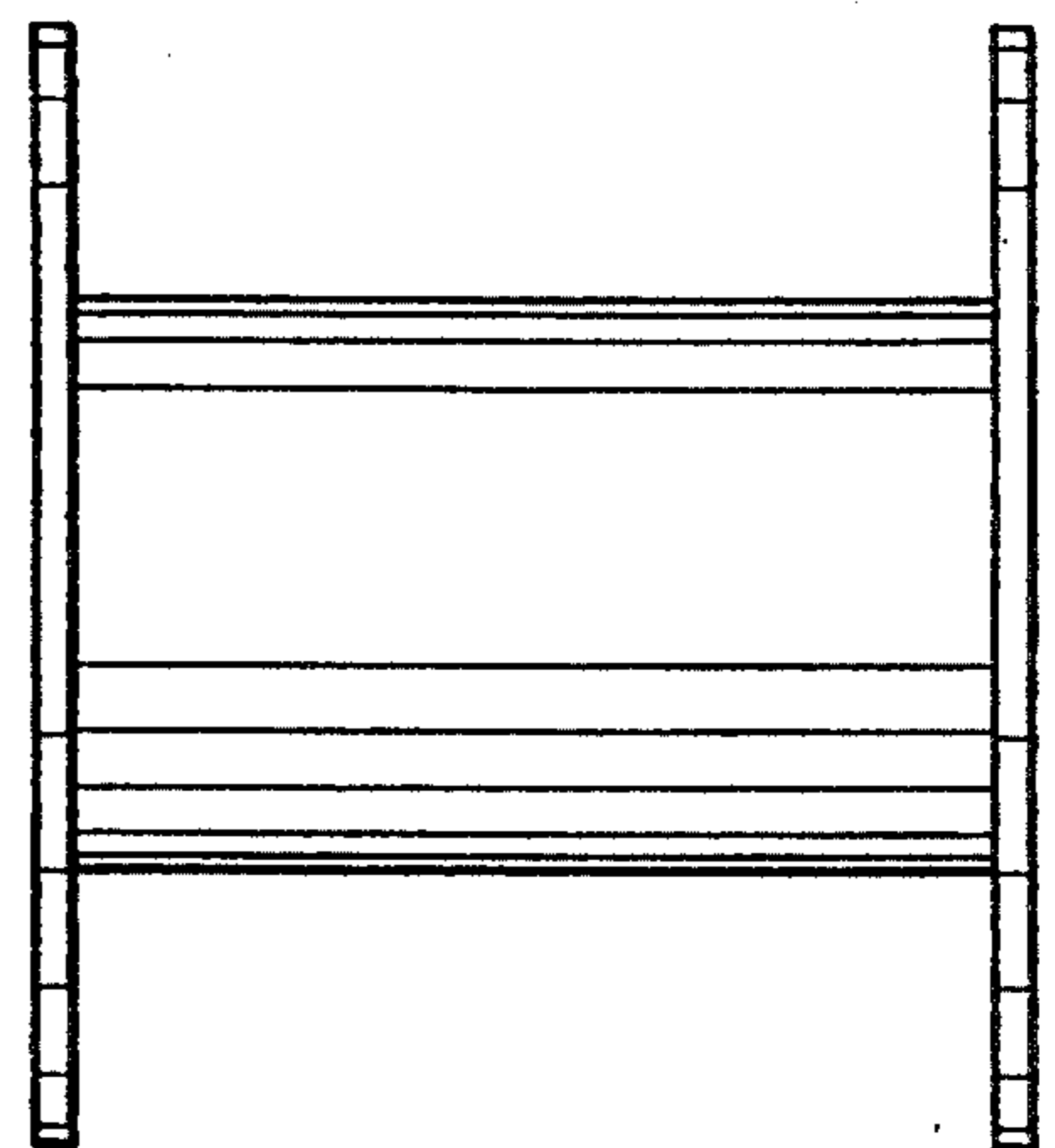


Fig. 4