



US00D358924S

United States Patent [19]

[11] Patent Number: **Des. 358,924**

Achenbach

[45] Date of Patent: **** May 30, 1995**

[54] **PRECAST LOADING DOCK RAMP**

[76] Inventor: **R. Timothy Achenbach**, 120 Gelsinger Rd., Sinking Spring, Pa. 19608

[**] Term: **14 Years**

[21] Appl. No.: **20,183**

[22] Filed: **Mar. 21, 1994**

[52] U.S. Cl. **D34/32**

[58] Field of Search **D34/32, 28; 14/71.1, 14/71.3, 71.5, 71.7, 69.5; 105/433, 436; 414/537, 228; 254/88**

[56] **References Cited**

U.S. PATENT DOCUMENTS

2,587,265 2/1952 Wright 414/537
2,591,153 4/1952 Hodges 414/537

FOREIGN PATENT DOCUMENTS

921966 of 1993 Sweden .

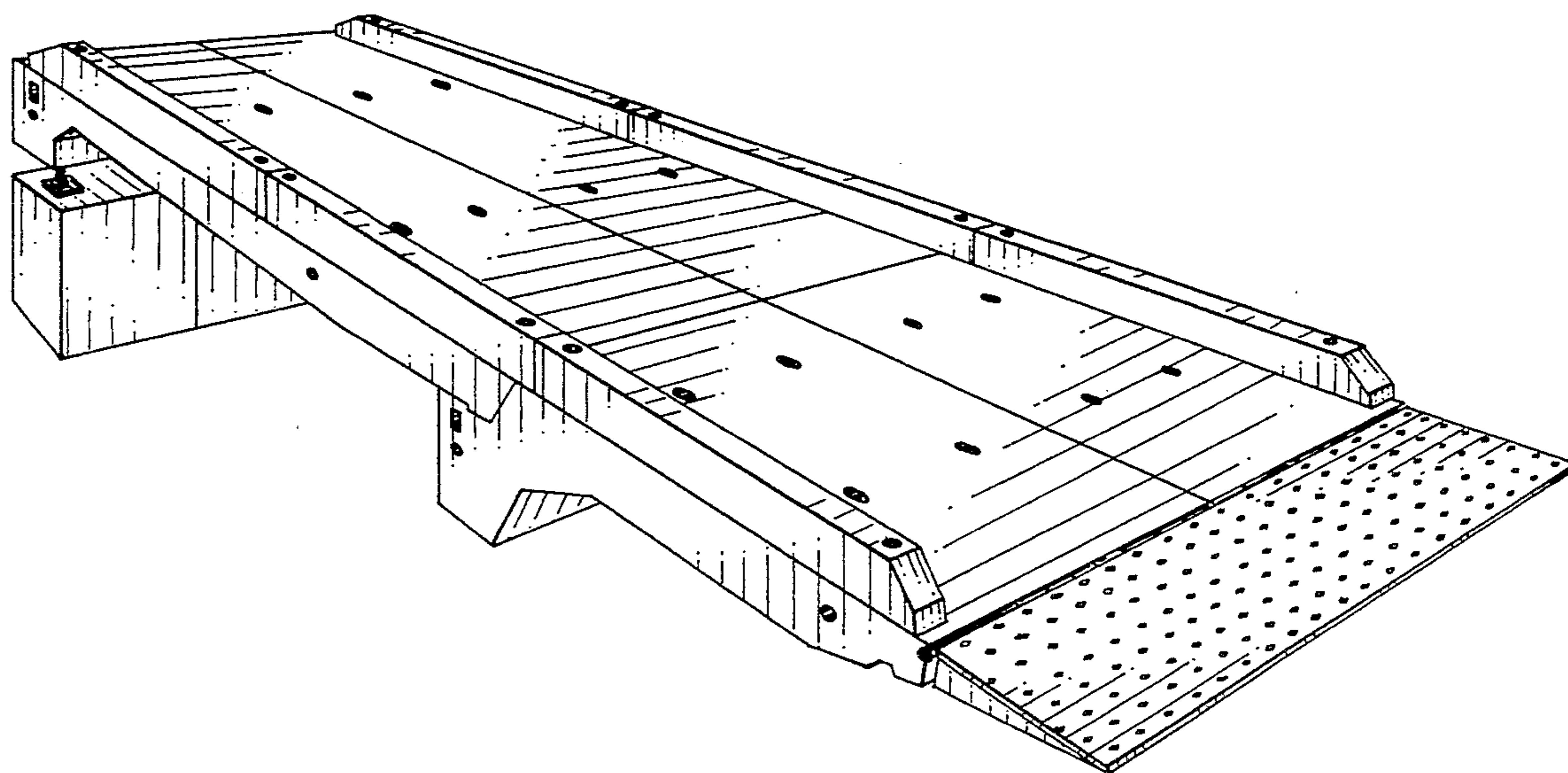
Primary Examiner—James M. Gandy
Assistant Examiner—Robin V. Taylor
Attorney, Agent, or Firm—Eckert Seamans Cherin & Mellott

[57] **CLAIM**

The ornamental design for a precast loading dock ramp, as shown and described.

DESCRIPTION

FIG. 1 is a perspective view of a precast loading dock ramp showing my new design;
FIG. 2 is a top plan view thereof;
FIG. 3 is a left side elevational view thereof, the right side being identical;
FIG. 4 is a bottom plan view thereof;
FIG. 5 is a front elevational view thereof; and,
FIG. 6 is a rear elevational view thereof.



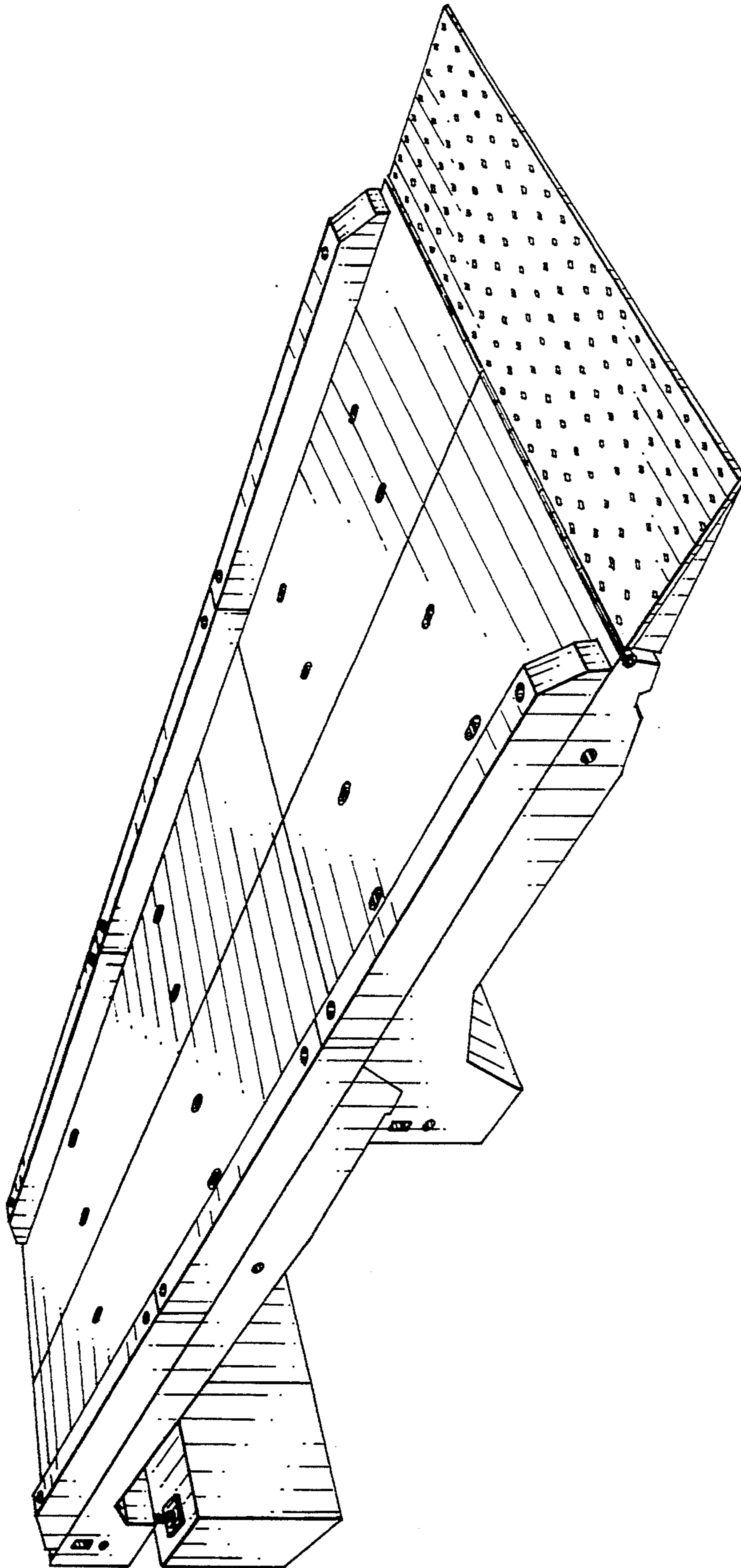


FIG. 1.

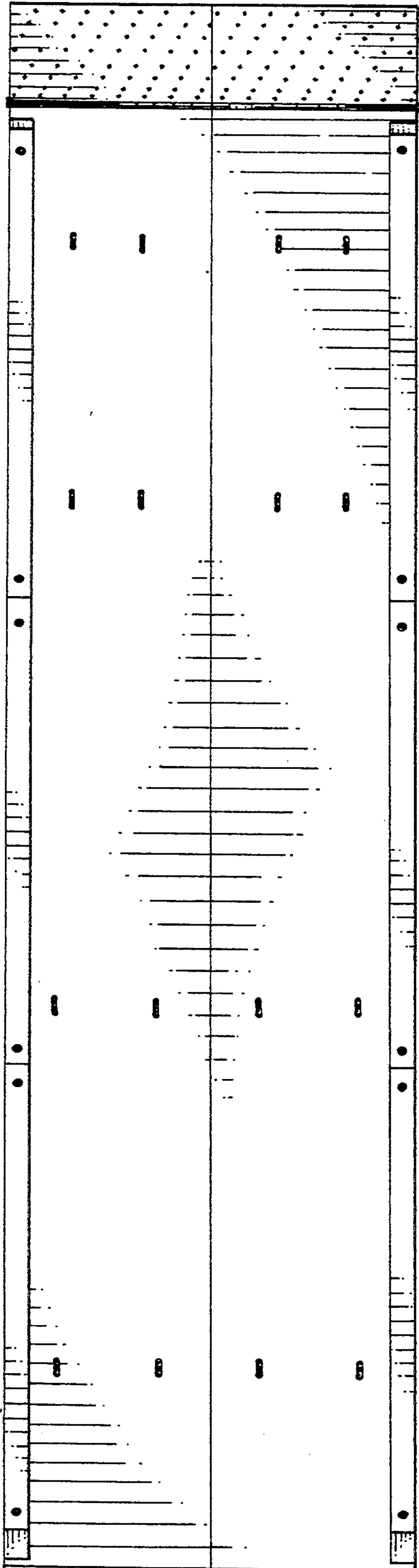


FIG. 2.

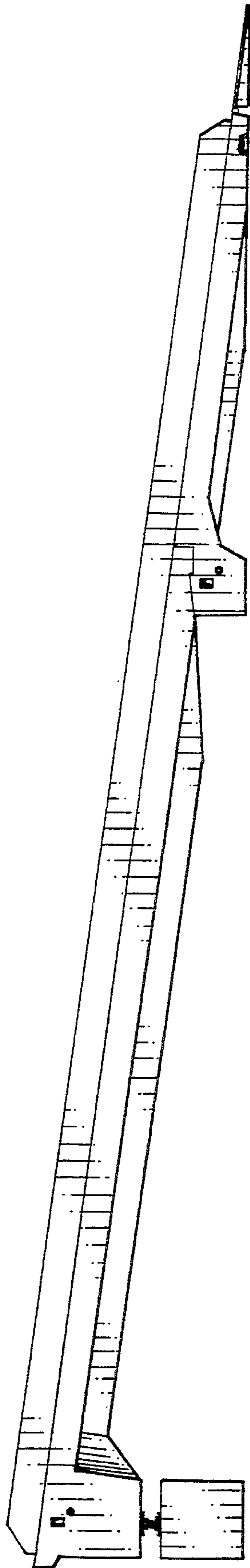


FIG. 3.

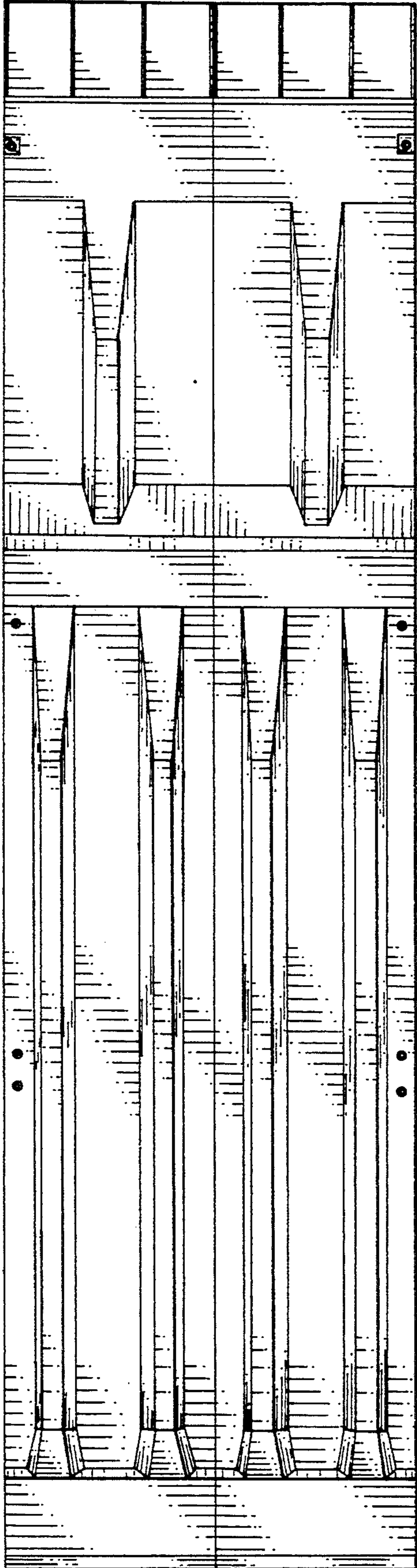


FIG. 4.

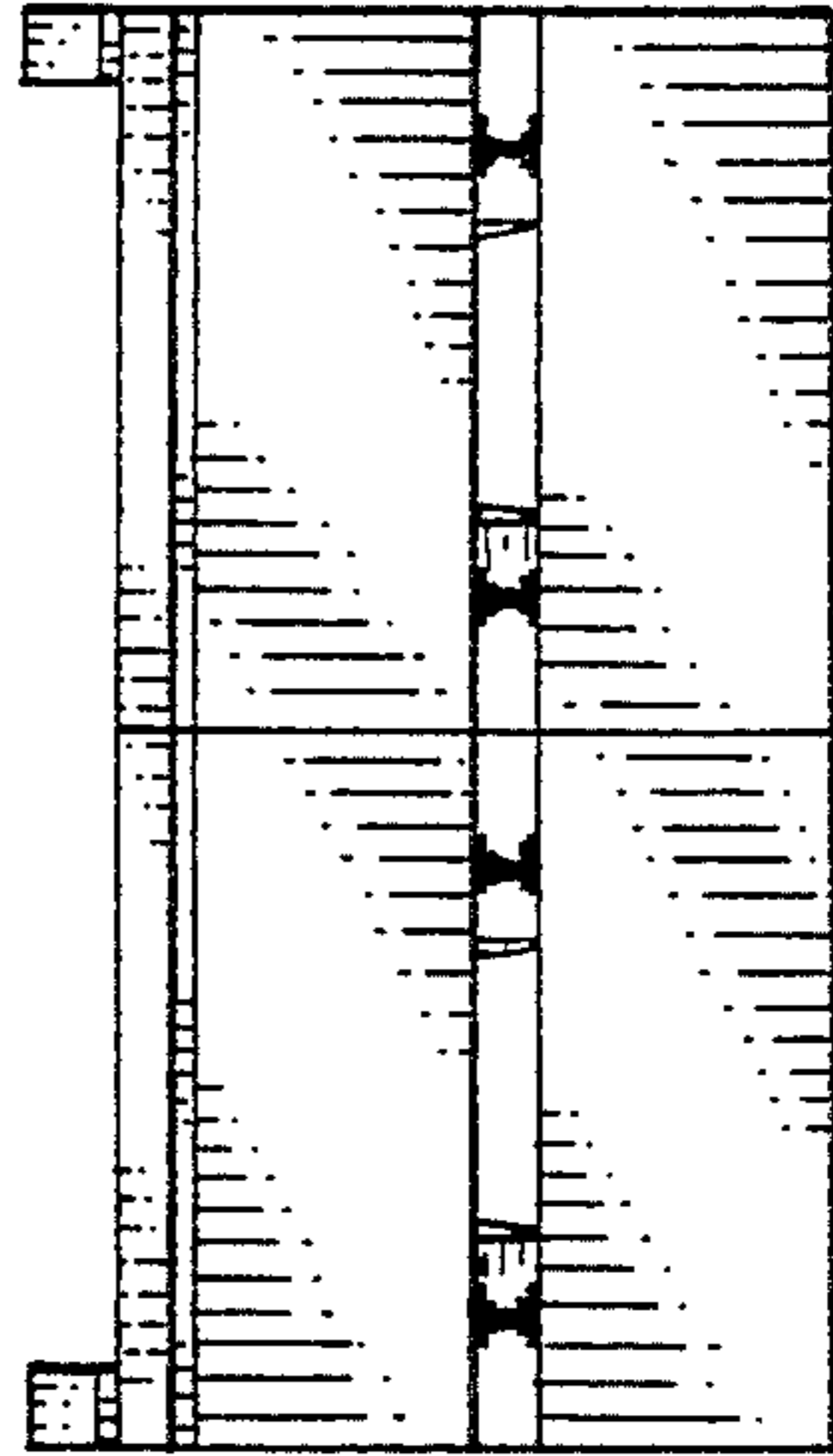


FIG. 6.

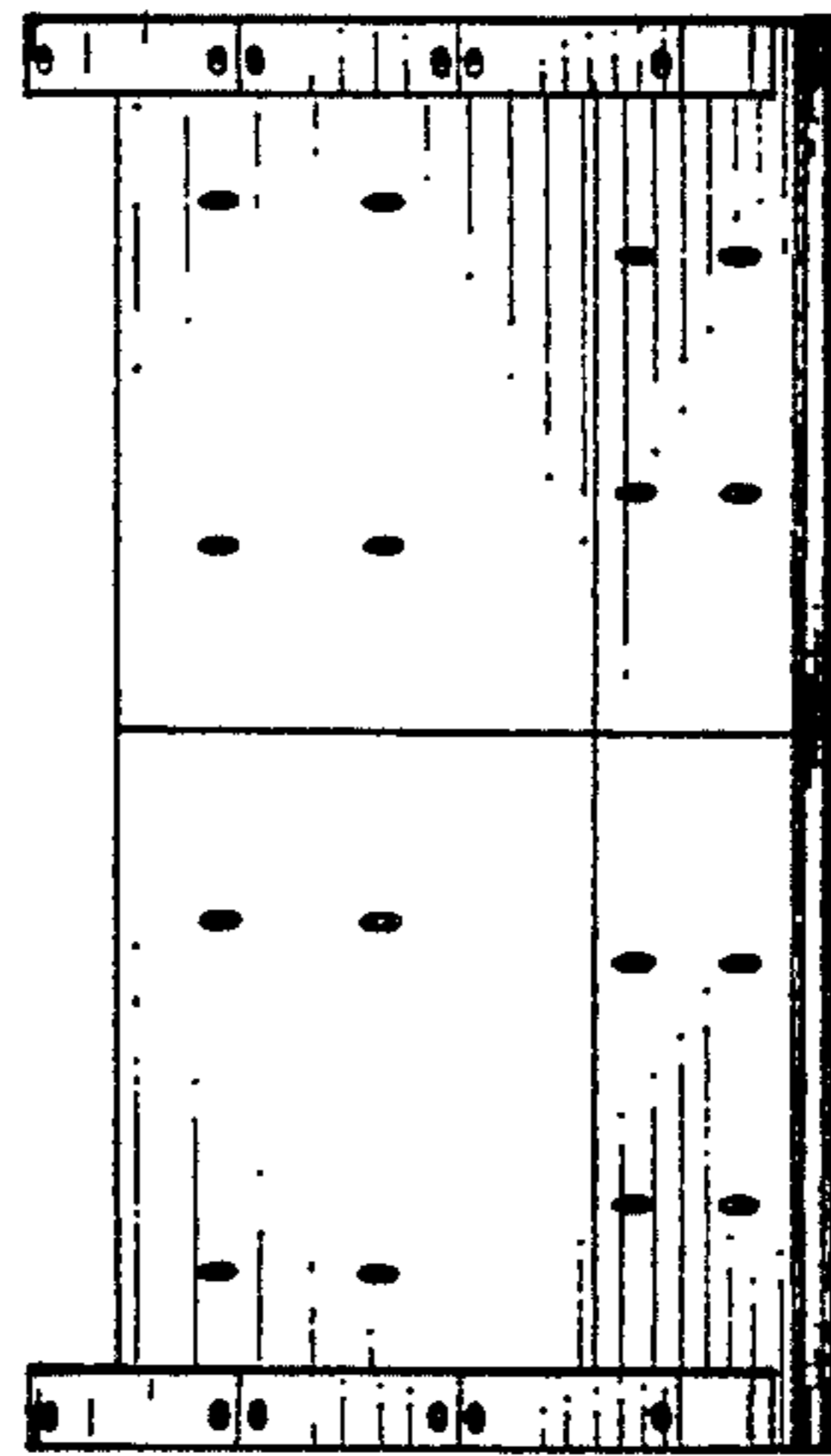


FIG. 5.