



US00D358923S

United States Patent [19]

[11] Patent Number: **Des. 358,923**

Hawkins

[45] Date of Patent: ** May 30, 1995

- [54] HYDRAULIC FLOOR JACK
- [75] Inventor: **Joseph O. Hawkins**, Travelers Rest, S.C.
- [73] Assignee: **Amerequip Manufacturing Company**, Greenville, S.C.
- [**] Term: **14 Years**
- [21] Appl. No.: **11,474**
- [22] Filed: **Aug. 5, 1993**
- [52] U.S. Cl. **D34/31**
- [58] Field of Search **D34/28, 31, 33; 254/1, 254/8 R, 2 R, 11, 93 R, 86**

Catalog No. 8800, Weatherly Index No. 920, pp. 5-9 (Publication date unknown, became known to Applicant in or about Jan. 1992).
Lifting Equipment and Port-Power, Blackhawk ®, Catalog No. 400215, Weatherly Index No. 920, pp. 5-9 (Publication date unknown, became known to Applicant in or about Oct. 1991).
Lifting Equipment, Sunex, pp. 7, 11, 1990-1991.
Viking, Intermarket Inc., p. 4 (Publication date unknown, became known to Applicant in or about Apr. 1988).

Primary Examiner—Wallace R. Burke
Assistant Examiner—Robin V. Taylor
Attorney, Agent, or Firm—Greer, Burns & Crain, Ltd.

[56] References Cited

U.S. PATENT DOCUMENTS

D. 253,696	12/1979	Suzuki	D34/31
D. 272,670	2/1984	Tsujimura	D34/31
D. 285,855	9/1986	Persson	D34/31
D. 296,598	7/1988	Hung	D34/31
4,018,421	4/1977	Tallman	D34/31
5,201,494	4/1993	Lundman	D34/31

OTHER PUBLICATIONS

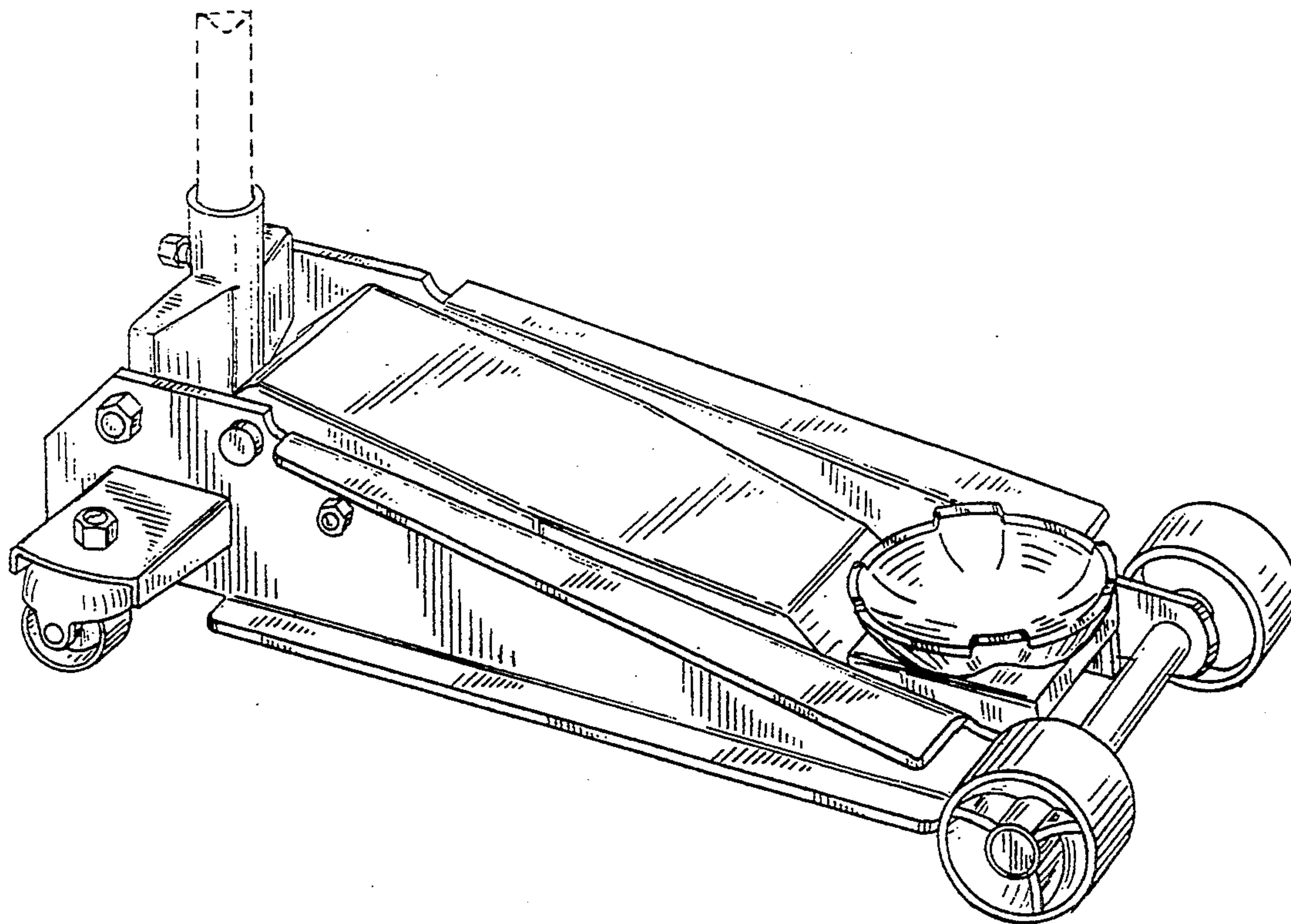
Astro World, Astro Pneumatic Tool Company, pp. 17-18, No. 6, Nov. 1992.
Astro Power TM, Astro Pneumatic Tool Company, pp. 39-40, 42-45 (Publication date unknown, became known to Applicant in or about Jun. 1989).
Jacks and Service Equipment, Lincoln ®, Catalog 3000, pp. 4-6, Feb. 1992.
Lifting Equipment Catalog, Hein-Werner Automotive,

[57] CLAIM

The ornamental design for a hydraulic floor jack, as shown and described.

DESCRIPTION

FIG. 1 is a perspective view of a hydraulic floor jack showing my new design;
 FIG. 2 is a left side view thereof; the right side view a mirror image;
 FIG. 3 is a rear view thereof;
 FIG. 4 is a front side view thereof;
 FIG. 5 is a top view thereof; and,
 FIG. 6 is a bottom view thereof.
 The broken lines showing the handle portion are for illustrative purposes only and form no part of the claimed design.



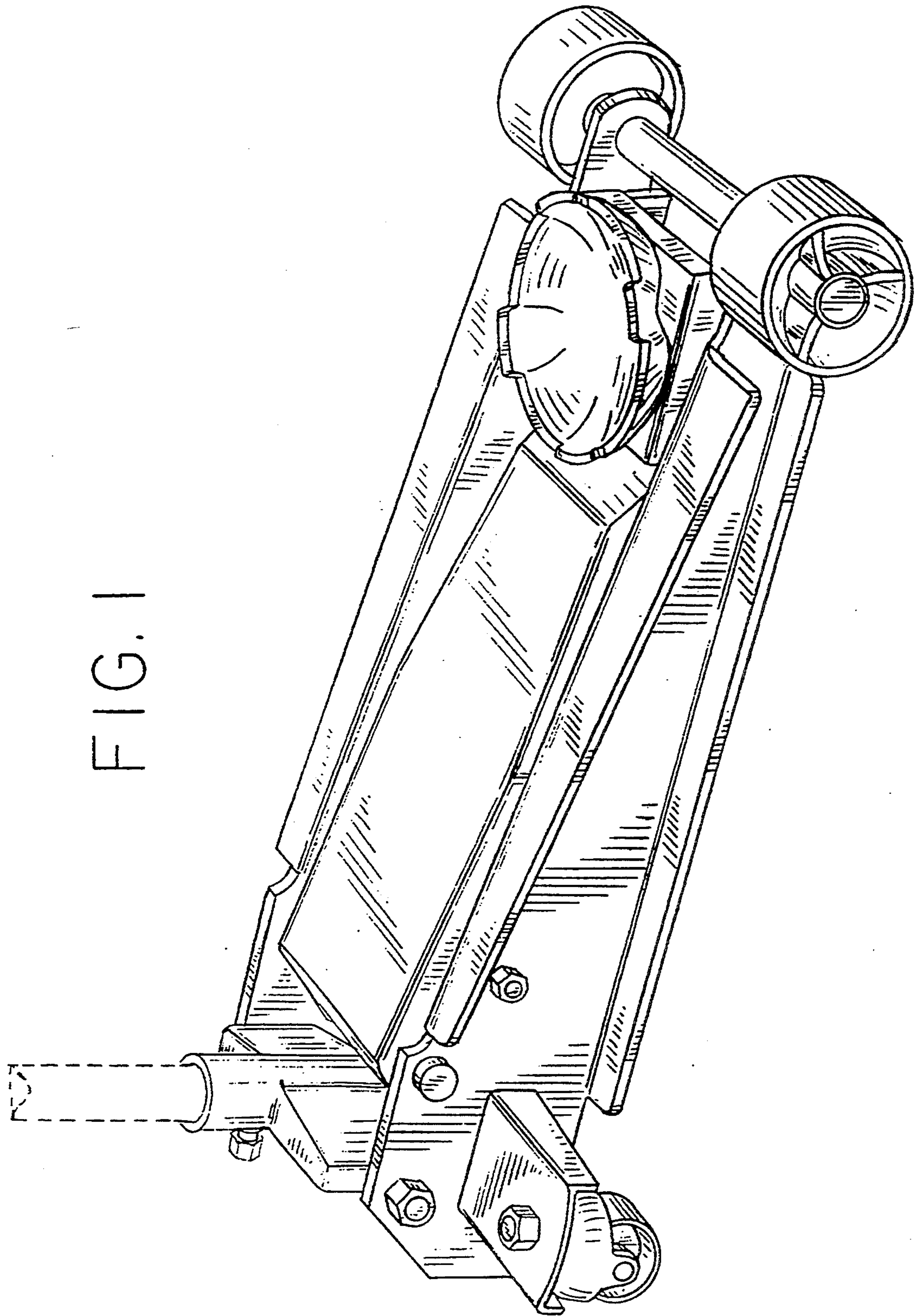


FIG. 1

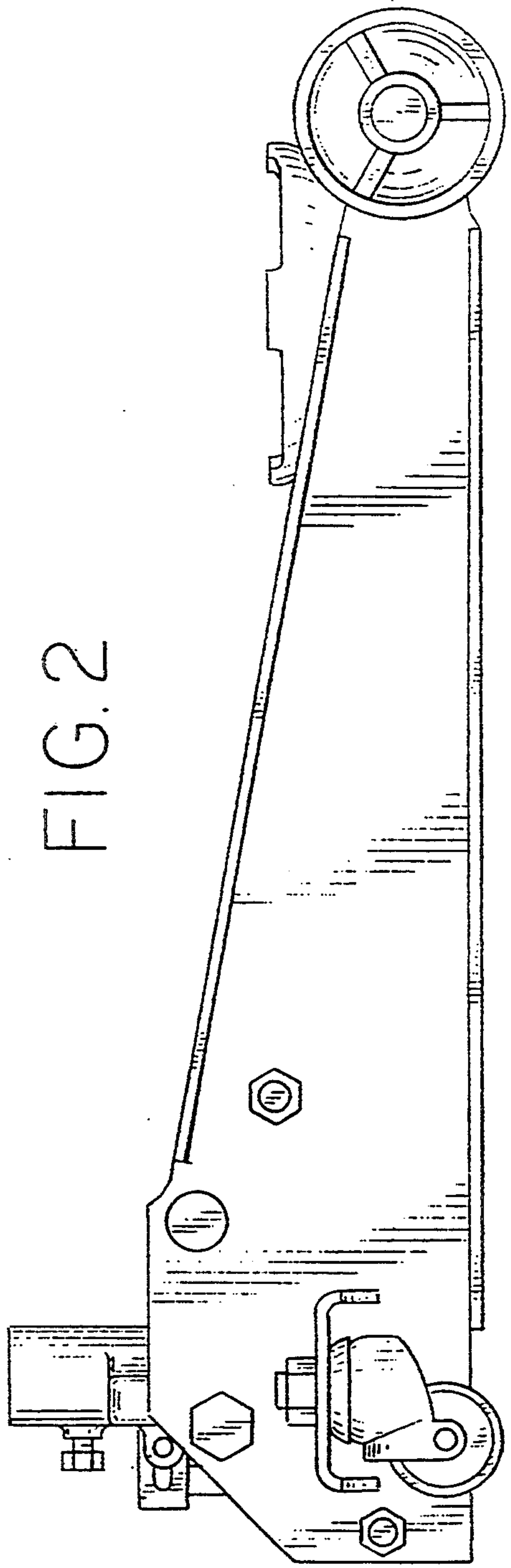


FIG. 2

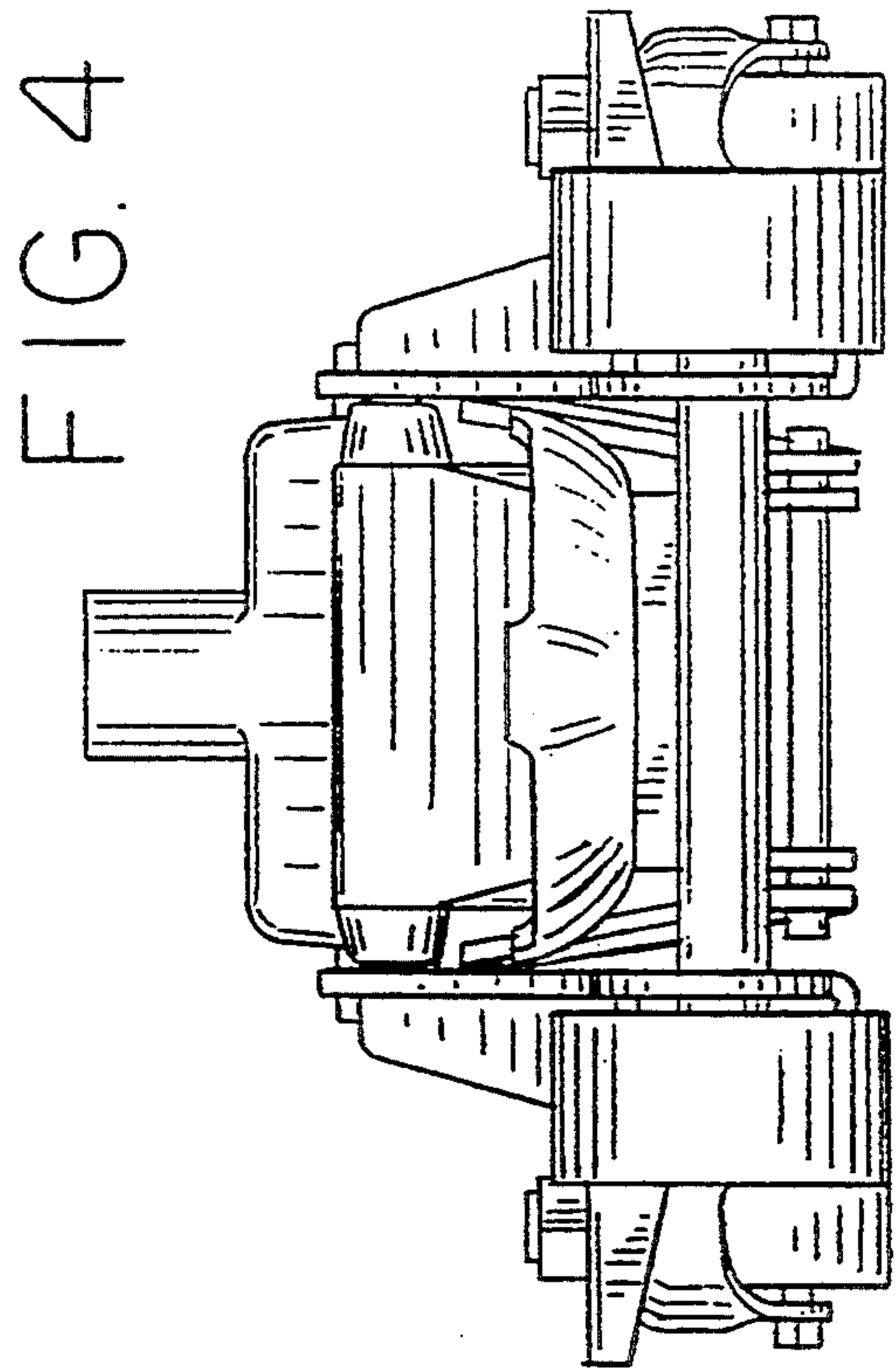


FIG. 4

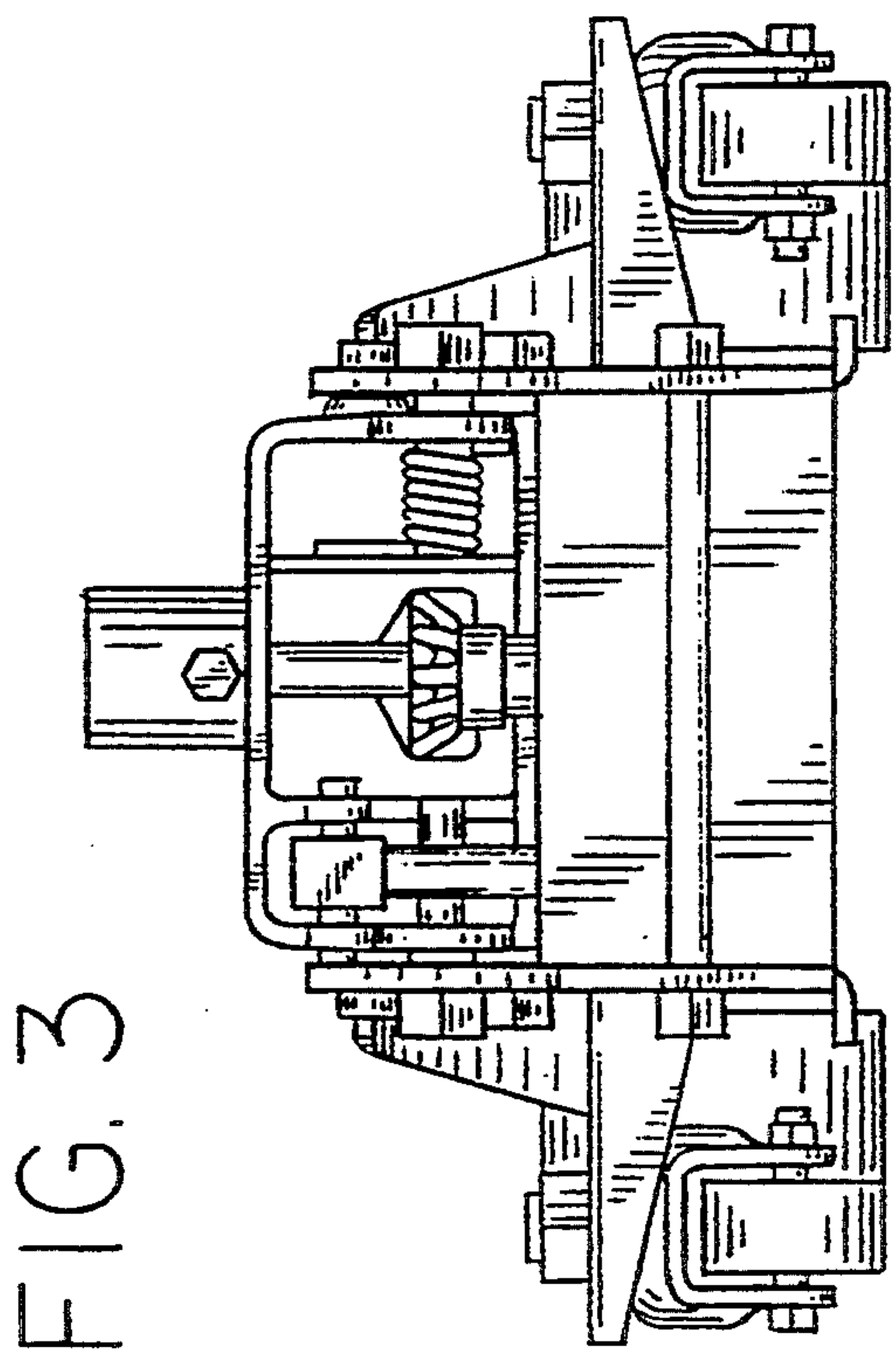


FIG. 3

FIG. 5

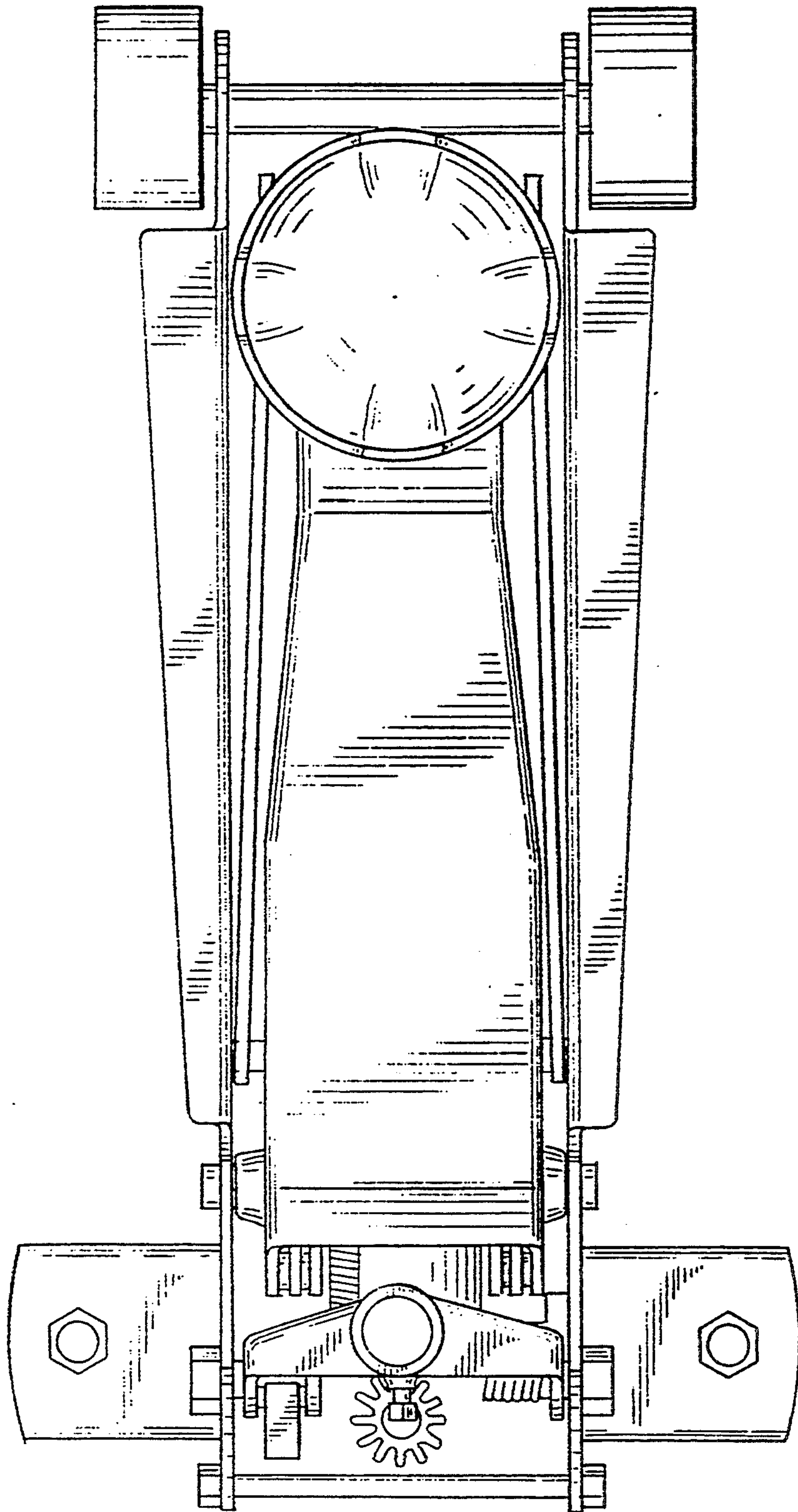


FIG. 6

