



US00D358921S

United States Patent [19]

[11] Patent Number: **Des. 358,921**

Abbema

[45] Date of Patent: **** May 30, 1995**

[54] **COOLER TOTE**

[76] Inventor: **William D. Abbema**, Rte. 3, Box 3344, Pearland, Tex. 77581

[**] Term: **14 Years**

[21] Appl. No.: **19,037**

[22] Filed: **Feb. 22, 1994**

[52] U.S. Cl. **D34/26; D34/24**

[58] Field of Search **D34/12, 24, 26, 25; 280/47.2, 47.26, 47.23, 47.24, 47.131; 248/129**

4,976,448 12/1990 Wickersham et al. 280/47.2
 5,169,164 12/1992 Bradford 280/35

Primary Examiner—Kay H. Chin
Attorney, Agent, or Firm—Marcella D. Watkins

[57] CLAIM

The ornamental design for a cooler tote, as shown.

DESCRIPTION

FIG. 1 is a perspective view of a cooler tote designed in accordance with the preferred embodiment of the present invention;

FIG. 2 shows a rear elevation of the cooler tote of FIG. 1;

FIG. 3 is a right-side elevation of the cooler tote of FIG. 1;

FIG. 4 is a left-side elevation of the cooler tote of FIG. 1;

FIG. 5 shows a front elevation of the cooler tote of FIG. 1;

FIG. 6 shows a bottom view of the cooler tote of FIG. 1;

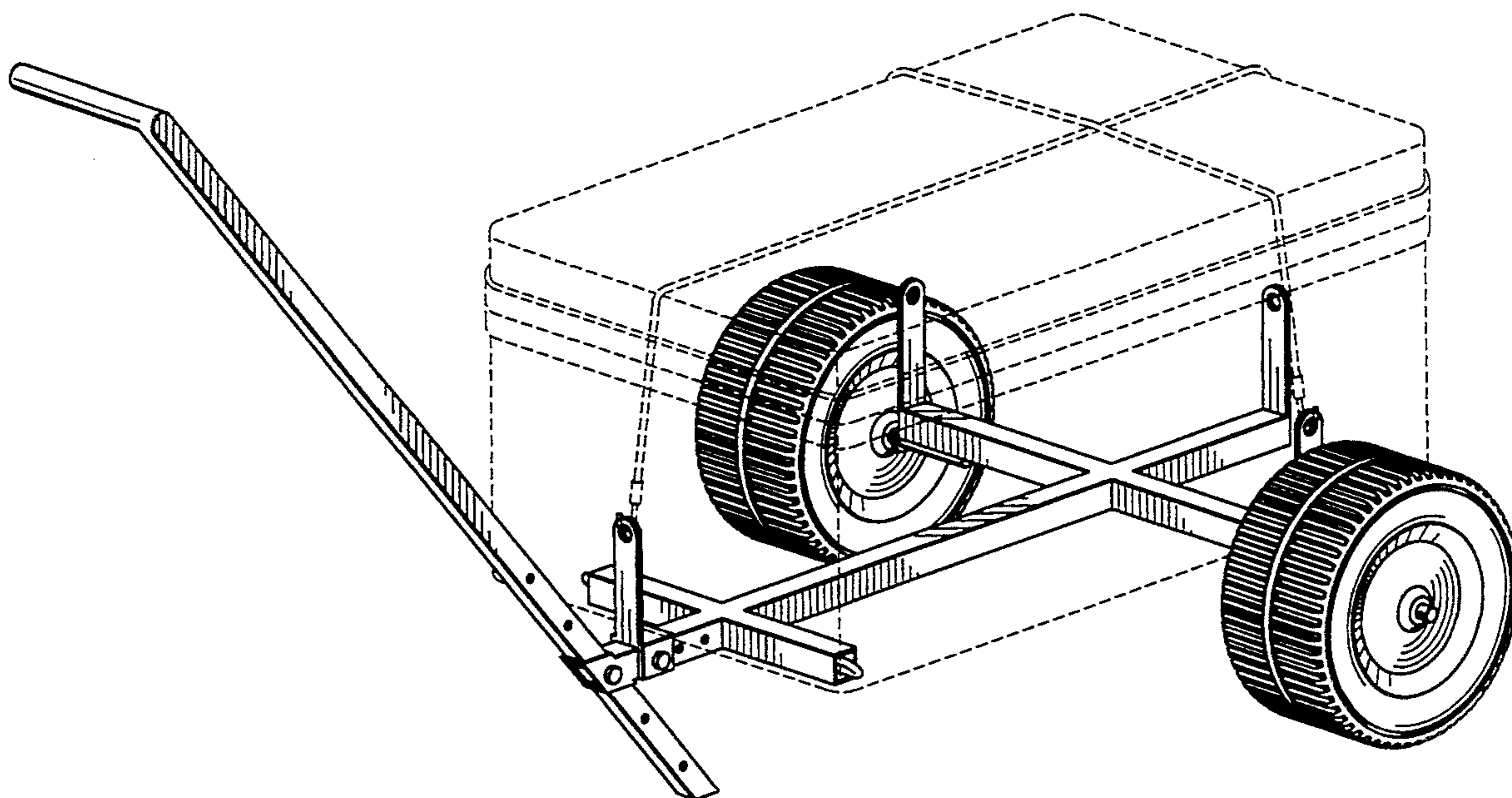
FIG. 7 shows a top view of the cooler tote of FIG. 1; and,

FIG. 8 is a perspective view illustrating use of the cooler tote with a phantom cooler.

[56] **References Cited**

U.S. PATENT DOCUMENTS

D. 263,691	4/1982	Streiff	D34/24
D. 271,719	12/1983	Streiff	D34/24
D. 302,891	8/1989	Lardell	D34/23
2,723,130	11/1955	Andrews	D34/24
4,340,132	7/1982	Cerna	190/18 A
4,451,053	5/1984	Alia et al.	280/47.26
4,523,774	6/1985	Dickerson	280/655
4,570,958	2/1986	Walker	280/40
4,618,157	10/1986	Resnick	280/8
4,703,944	11/1987	Higson	280/30
4,724,681	2/1988	Bartholomew et al.	62/239
4,846,493	7/1989	Mason	280/641
4,887,837	12/1989	Bonewicz, Jr. et al.	280/654



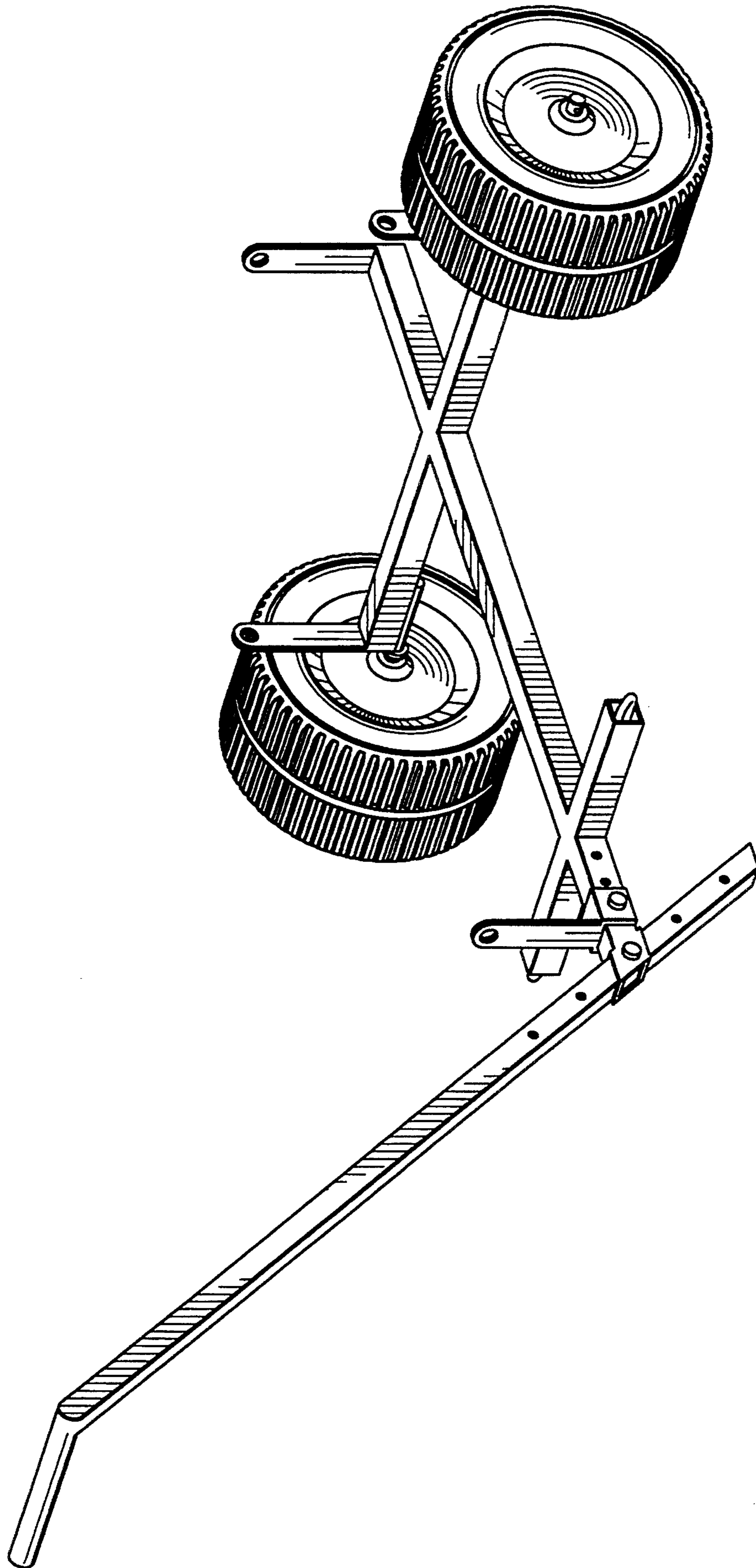


FIG. 1

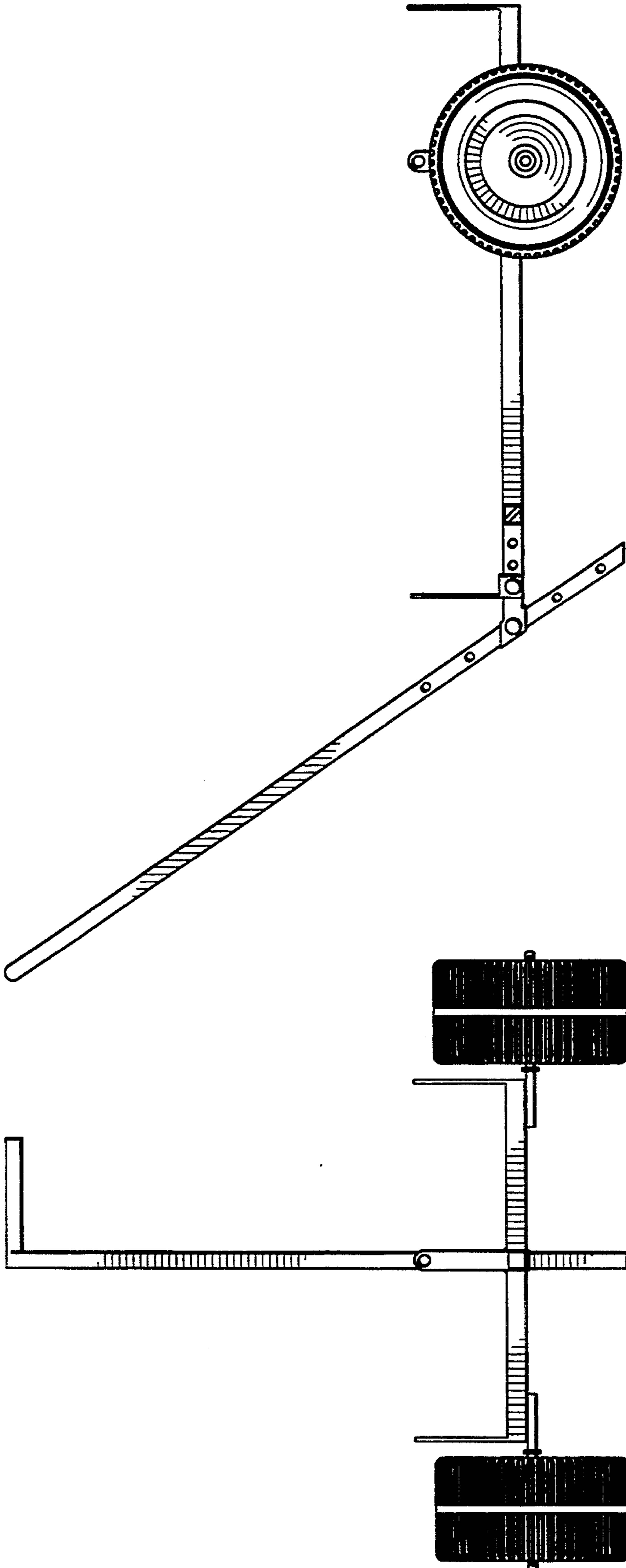


FIG. 3

FIG. 2

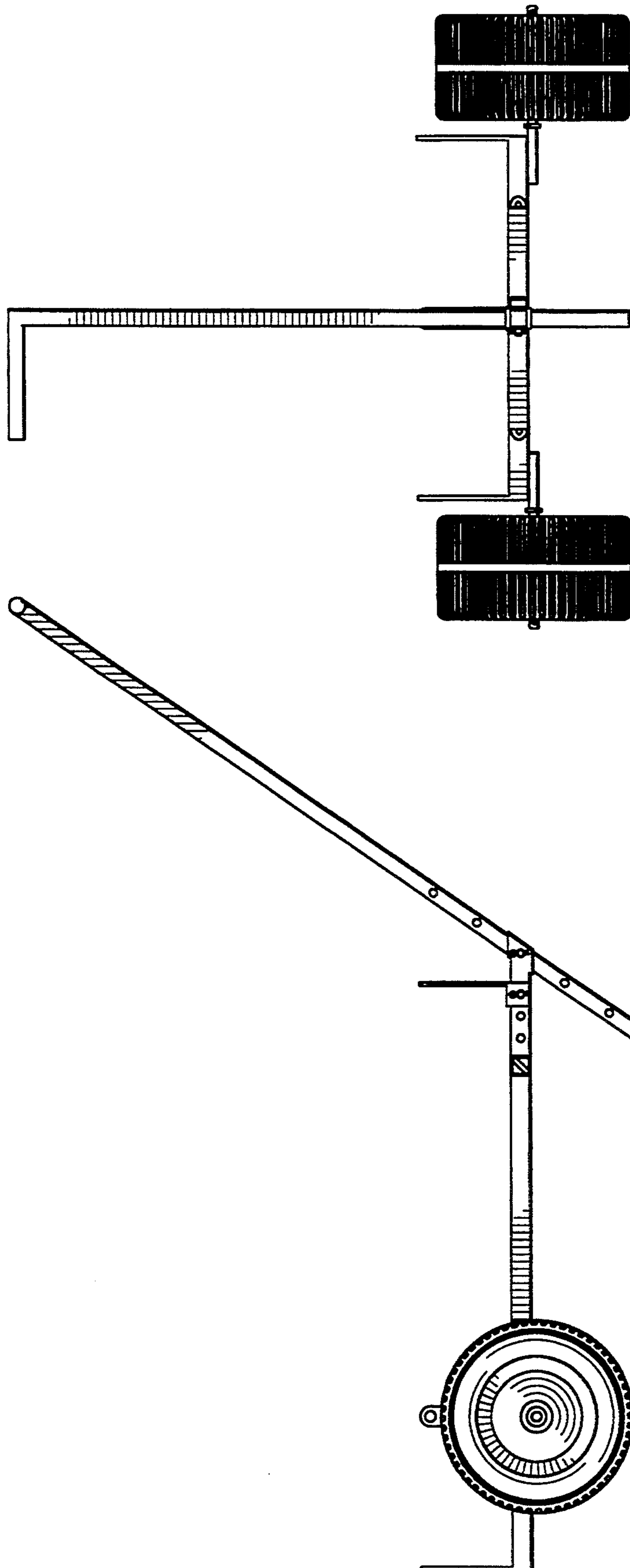


FIG. 5

FIG. 4

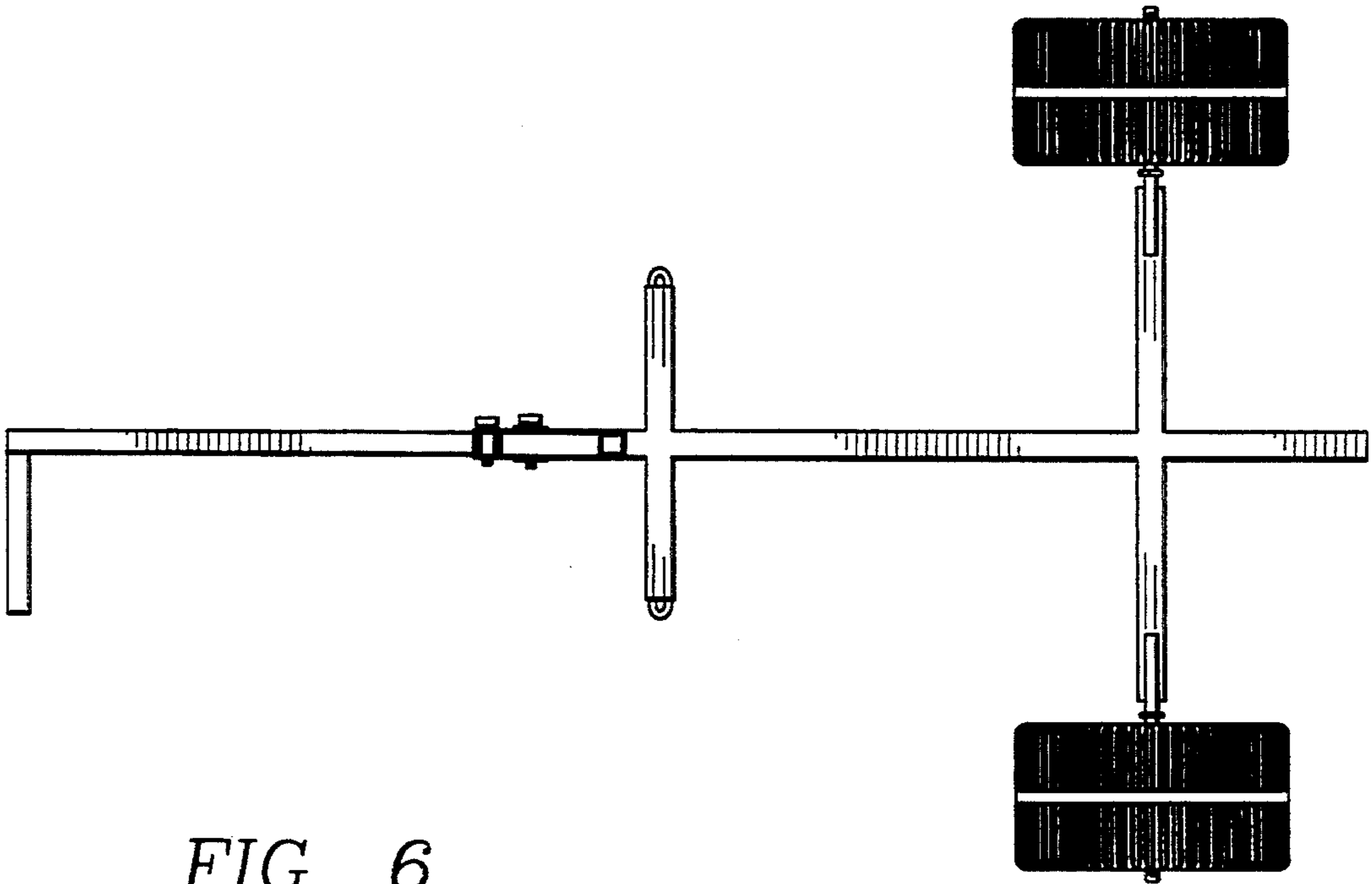


FIG. 6

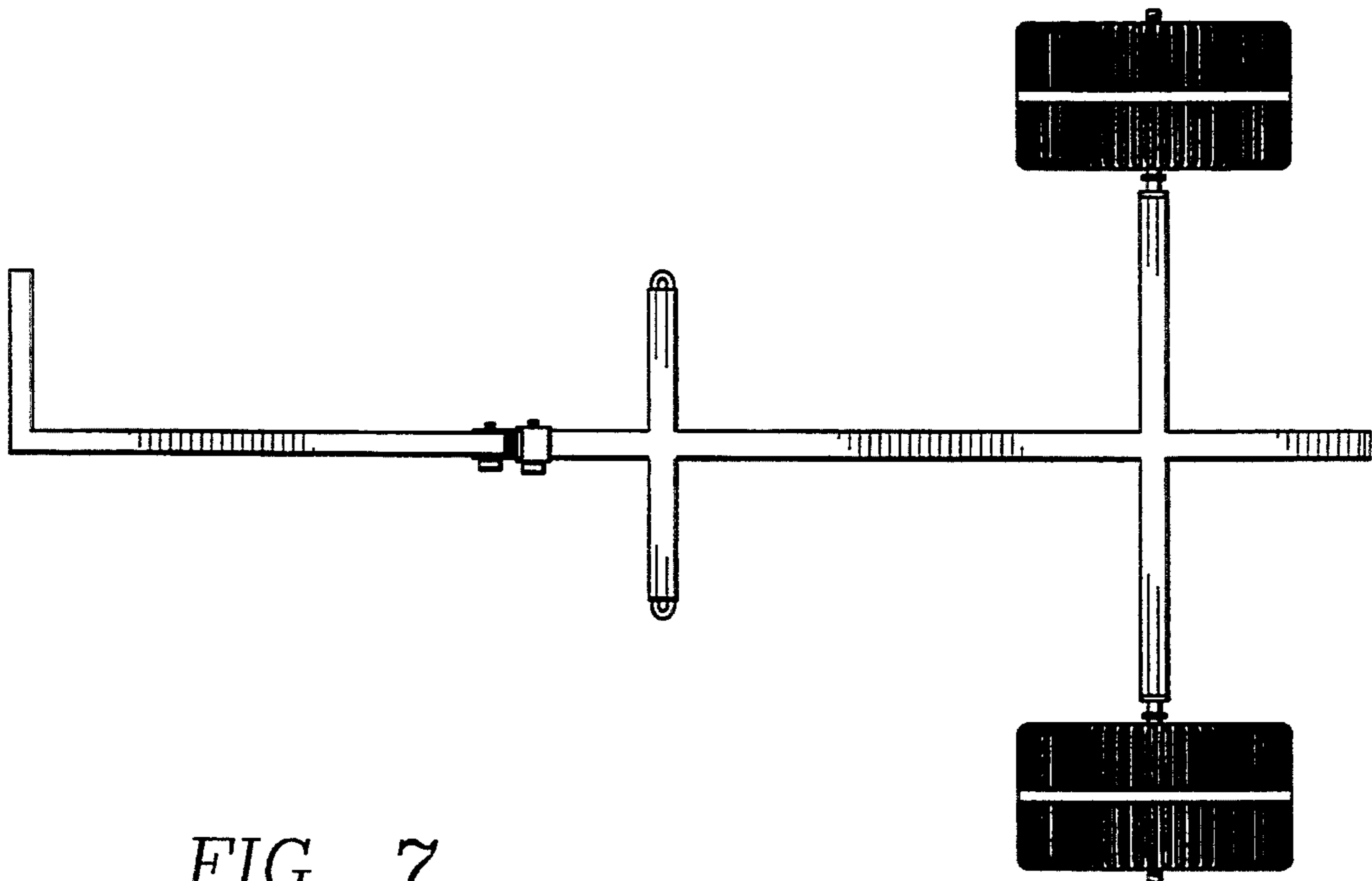


FIG. 7

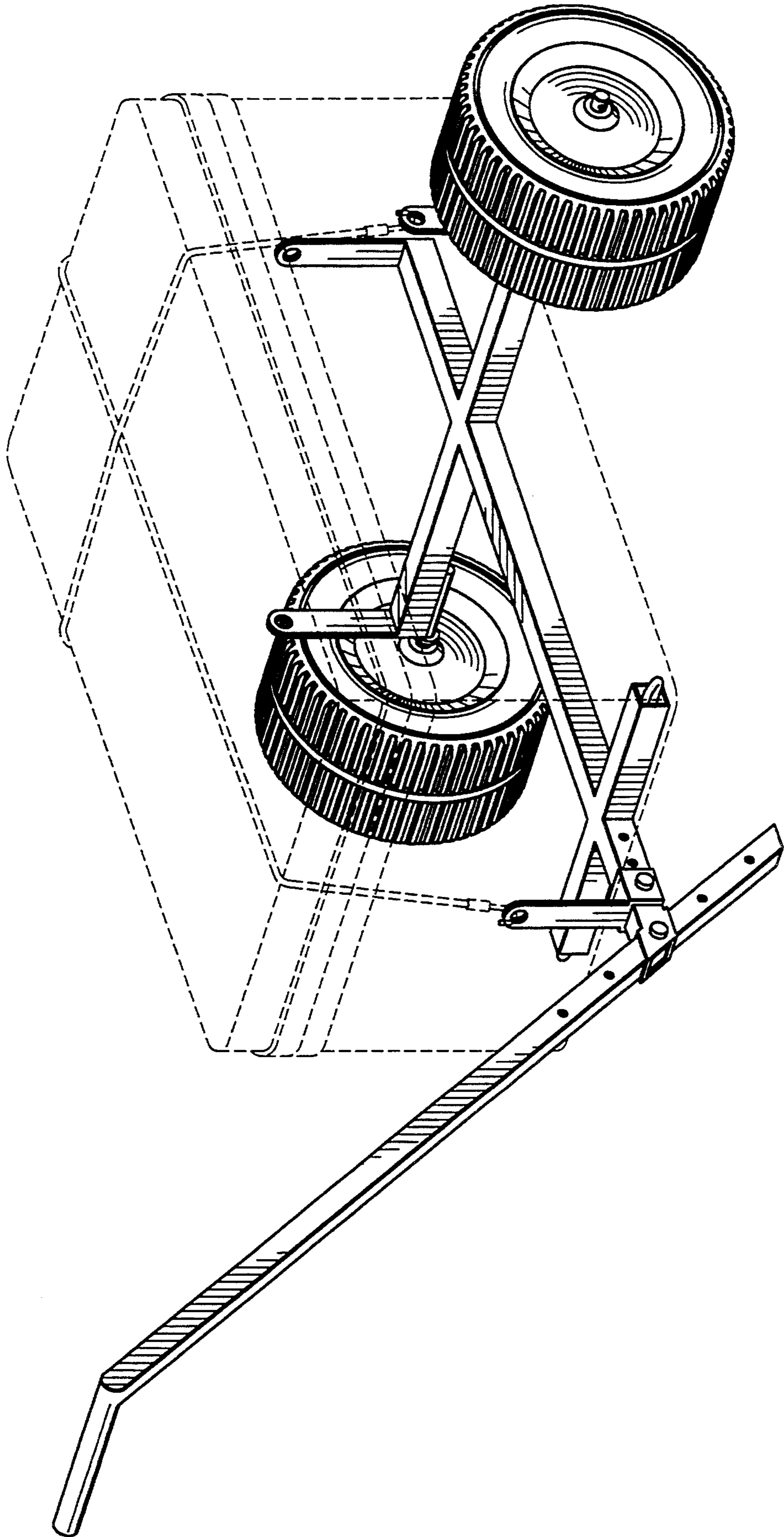


FIG. 8