



US00D358919S

United States Patent [19]

[11] Patent Number: **Des. 358,919**

Carmen

[45] Date of Patent: **** May 30, 1995**

[54] **TRANSPORTING CART FOR AQUATIC BOARDS**

[76] Inventor: **Cheyenne D. Carmen, 2737 E. Norm Pl., Anaheim, Calif. 92806**

[**] Term: **14 Years**

[21] Appl. No.: **17,628**

[22] Filed: **Jan. 19, 1994**

[52] U.S. Cl. **D34/23; D34/12**

[58] Field of Search **D34/23, 12, 24, 25, D34/26; 280/47.131, 47.24, 47.30, 652**

4,440,409	4/1984	Margison .	
4,602,802	7/1986	Morgan .	
4,712,803	12/1987	Garcia .	
4,815,761	3/1989	Henderson et al.	280/47.24
4,822,065	4/1989	Enders .	
4,824,313	4/1989	Miller	280/47.24
4,936,595	6/1990	Cunningham .	
5,114,165	5/1992	Vogel .	
5,131,670	7/1992	Clements et al.	280/652

Primary Examiner—Kay H. Chin
Attorney, Agent, or Firm—Howard A. Kenyon

[56] **References Cited**

U.S. PATENT DOCUMENTS

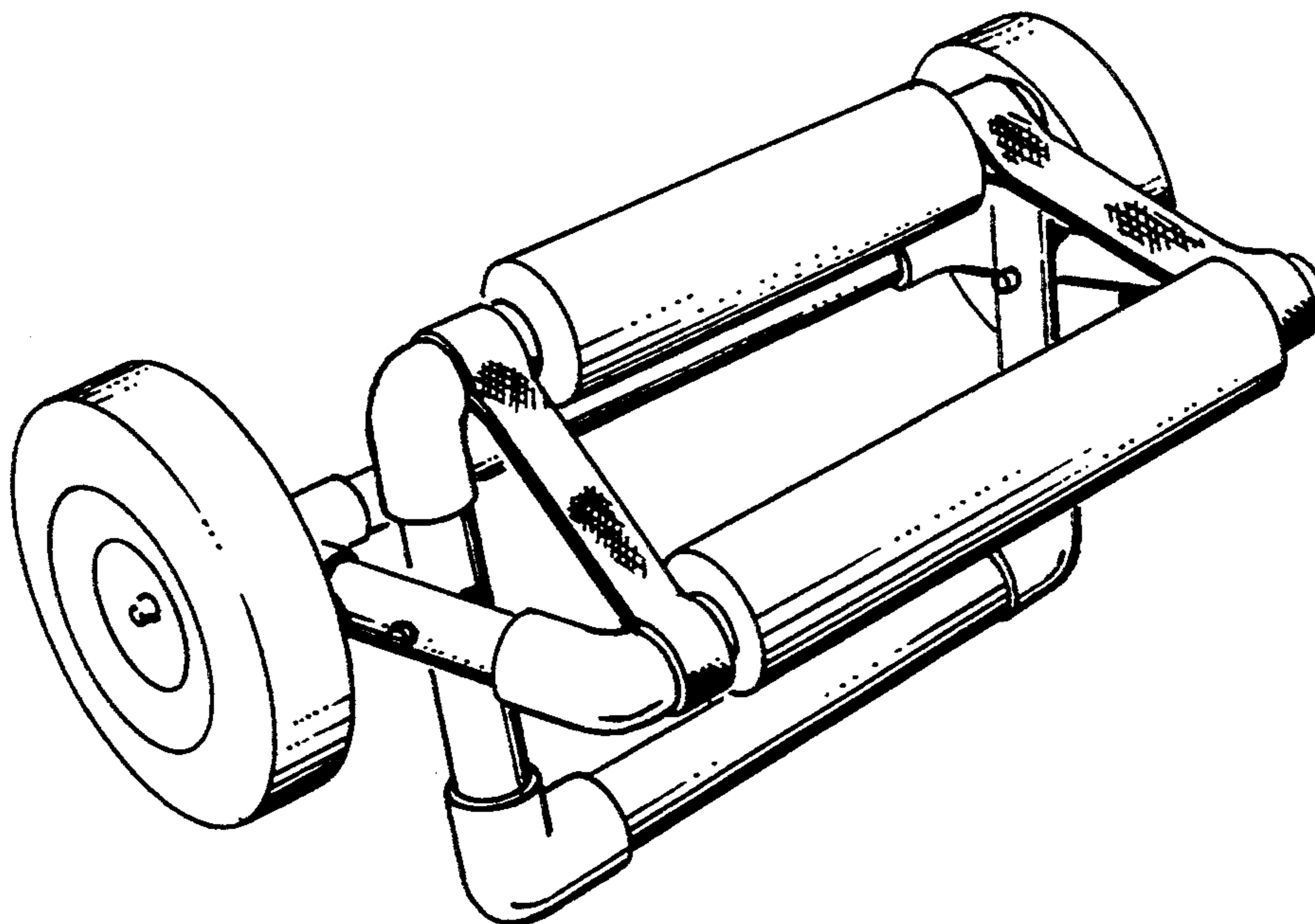
Re. 32,844	1/1989	Horowitz .
D. 259,101	4/1988	Tuggle .
2,970,846	2/1961	Boston .
3,093,086	6/1963	Case .
3,188,108	6/1965	Davis .

[57] **CLAIM**

The ornamental design for a transporting cart for aquatic boards, as shown and described.

DESCRIPTION

FIG. 1 is a top and side perspective view showing my new design;
FIG. 2 is a front view thereof;
FIG. 3 is a top view thereof; and,
FIG. 4 is an end view thereof.



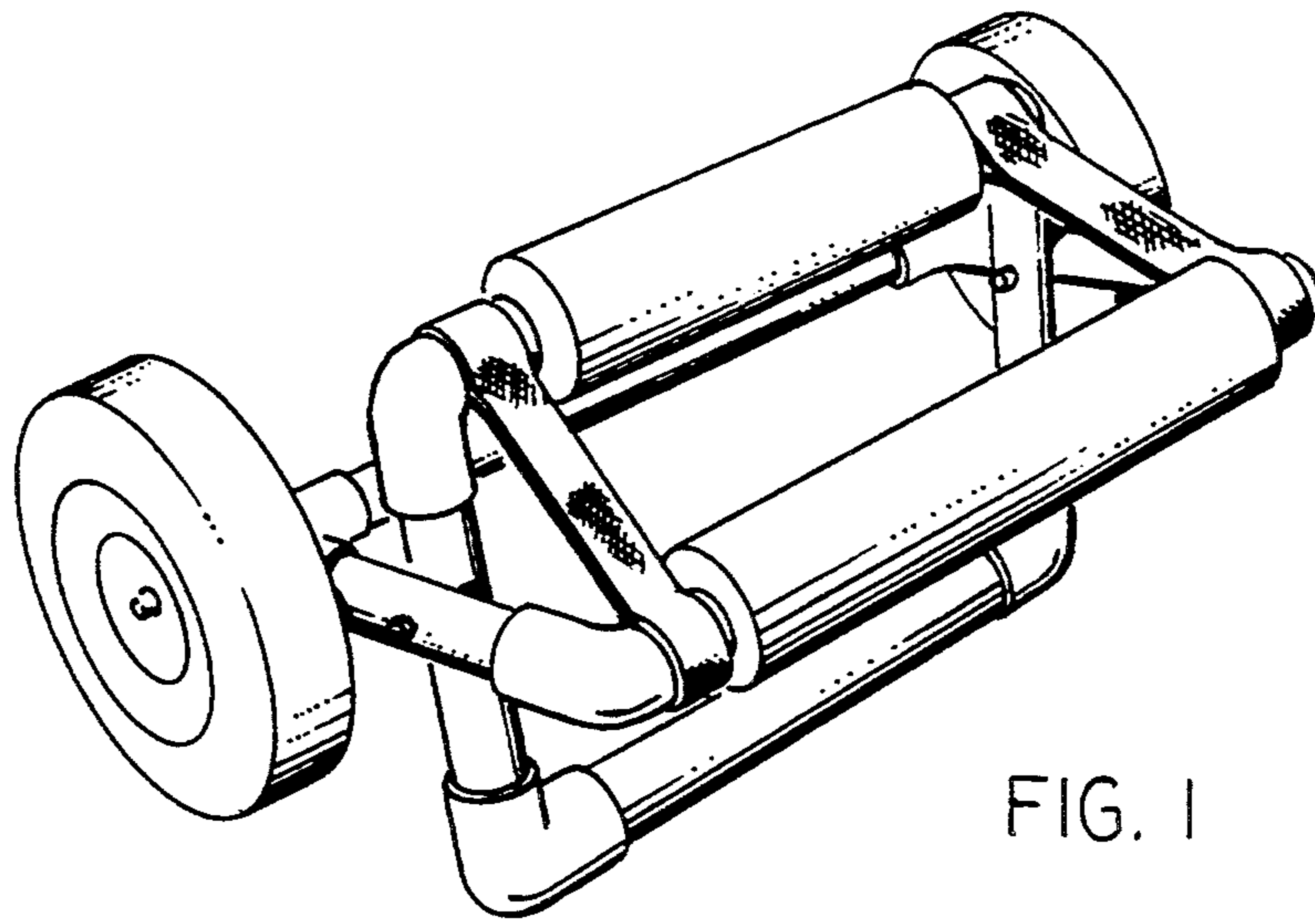


FIG. 1

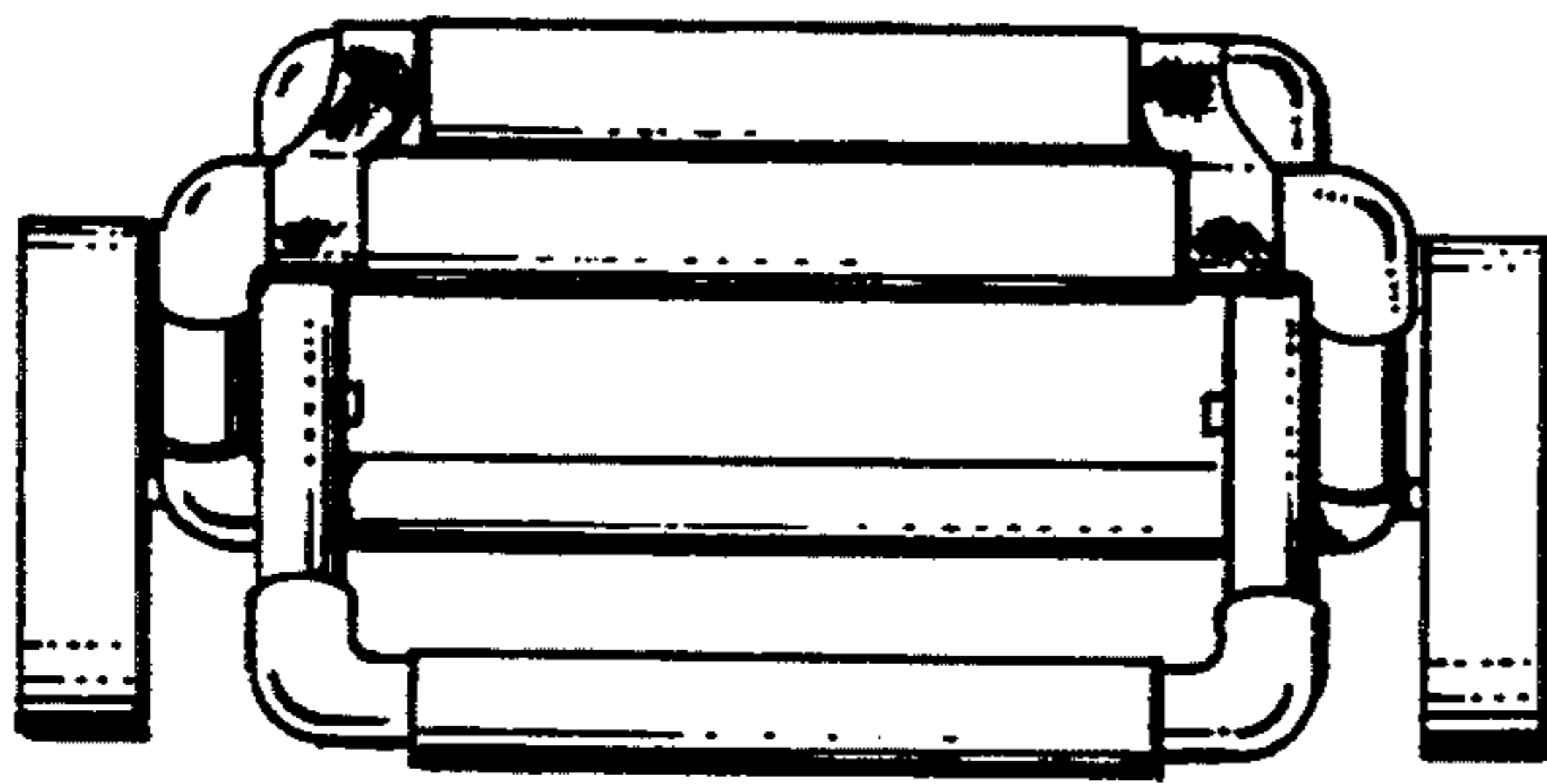


FIG. 2

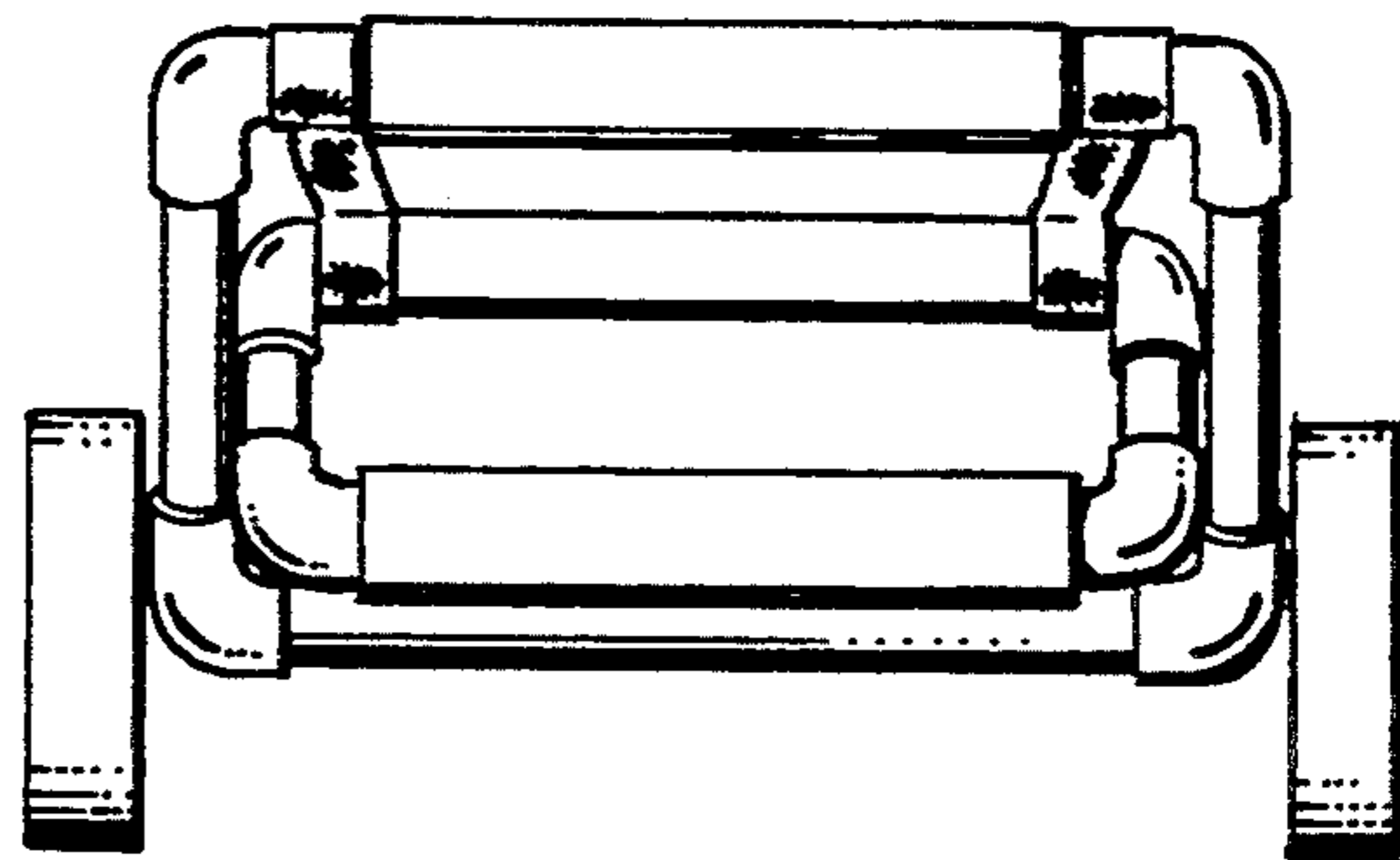


FIG. 3

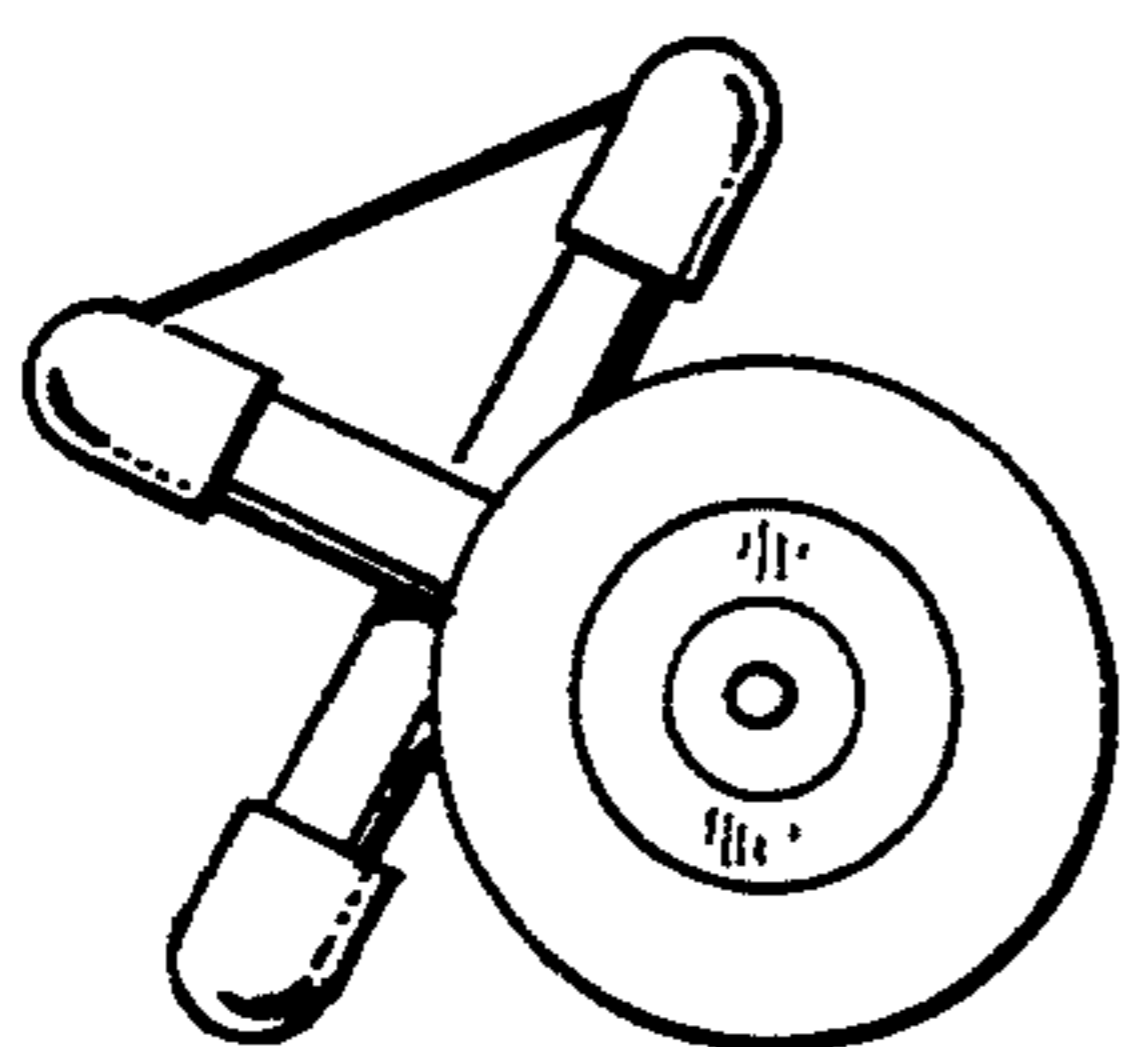


FIG. 4