



US00D358918S

United States Patent [19]
Gale

[11] **Patent Number: Des. 358,918**

[45] **Date of Patent: ** May 30, 1995**

[54] **CONTAINER LID WITH AUTOMATIC CLOSURE**

[75] **Inventor: Bradley D. Gale, St. Louis**

[73] **Assignee: Contico International, Inc., St. Louis, Mo.**

[**] **Term: 14 Years**

[21] **Appl. No.: 26,643**

[22] **Filed: Aug. 2, 1994**

[52] **U.S. Cl. D34/11**

[58] **Field of Search D34/1, 5-11;
D32/37; 232/43.2; 220/908-911, 675, 253;
D9/434, 435, 436, 499**

[56] **References Cited**

U.S. PATENT DOCUMENTS

Re. 30,875	3/1982	Anderson	220/908
D. 246,566	12/1977	Van Skiver .	
D. 281,111	10/1985	McClelland	D34/8
D. 308,742	6/1990	Bulkens	D34/7
D. 326,343	5/1992	Hradisky .	
D. 343,490	1/1994	Ramsey	D34/5
1,115,403	10/1914	Cseh .	
1,730,312	4/1928	Bravo .	
2,994,453	8/1961	Gardiner .	

3,083,859 4/1963 Gardiner .
3,825,150 7/1974 Taylor .
4,679,700 7/1987 Tharrington et al. .

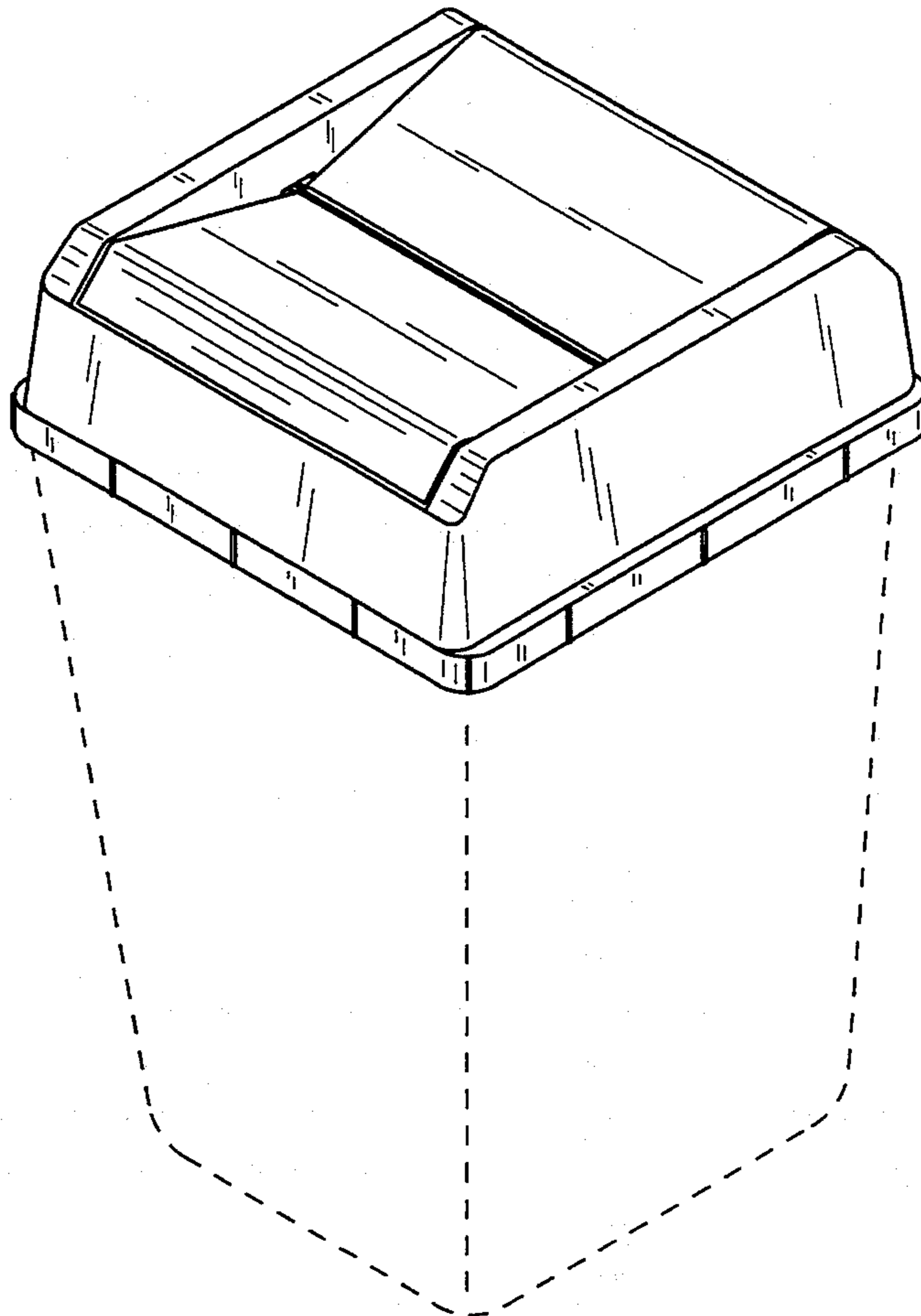
Primary Examiner—Brian N. Vinson
Assistant Examiner—Robin V. Taylor
Attorney, Agent, or Firm—Rogers, Howell & Haferkamp

[57] **CLAIM**

The ornamental design for a container lid with automatic closure, as shown and described.

DESCRIPTION

FIG. 1 is an orthographic view of a container lid with automatic closure showing my new design;
FIG. 2 is a top plan view of the container lid showing the closure in a closed position;
FIG. 3 is a top plan view of the container lid showing the closure in an open position;
FIG. 4 is a bottom plan view of the closure lid;
FIG. 5 is a front elevation view of the container lid, the rear elevation view being identical; and,
FIG. 6 is a right side elevation view of the container lid, the left side elevation view being identical.
The broken line showing a container in FIG. 1 of the drawings is for illustrative purposes only and forms no part of the claimed design.



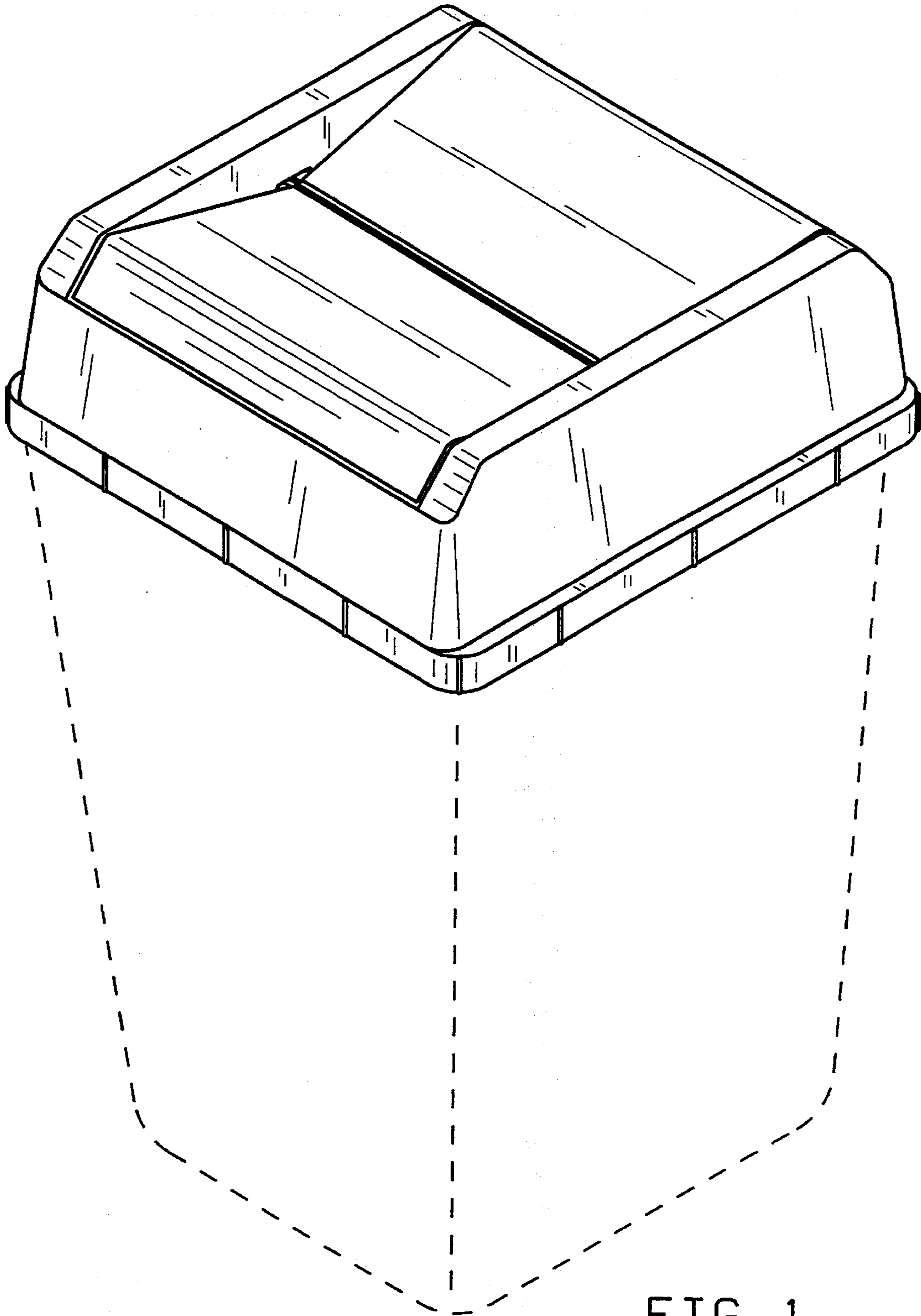


FIG. 1

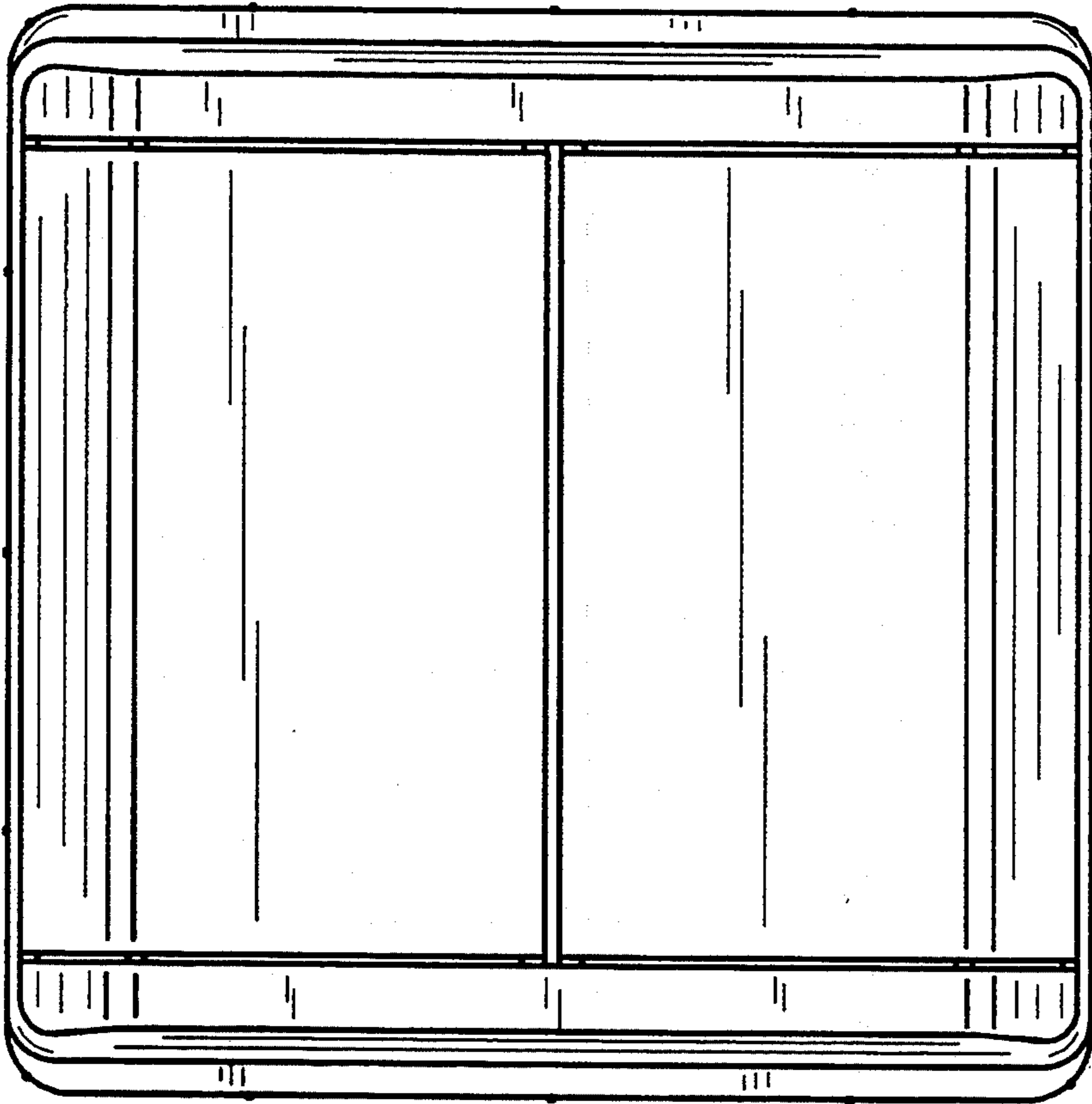


FIG. 2

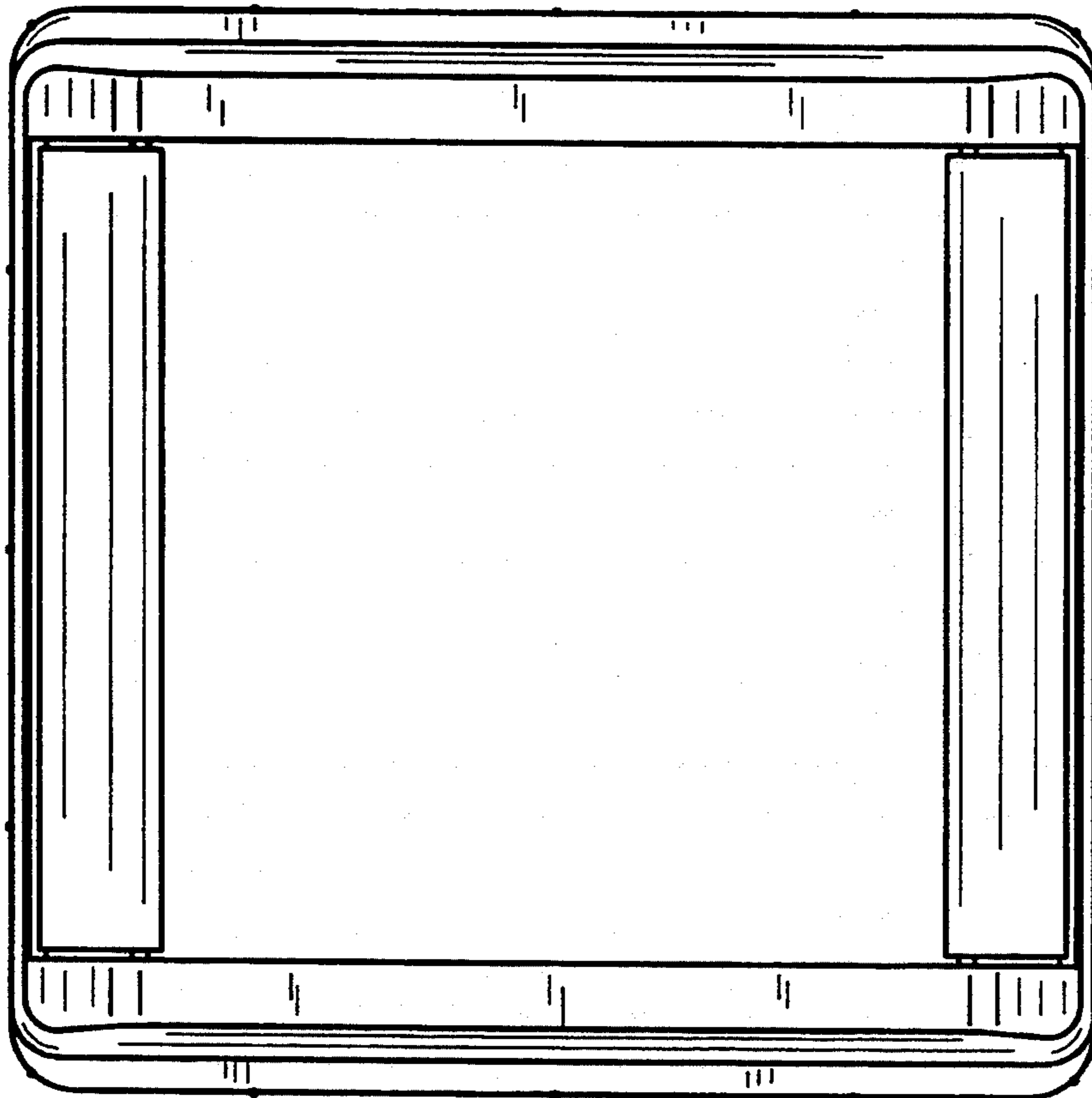


FIG. 3

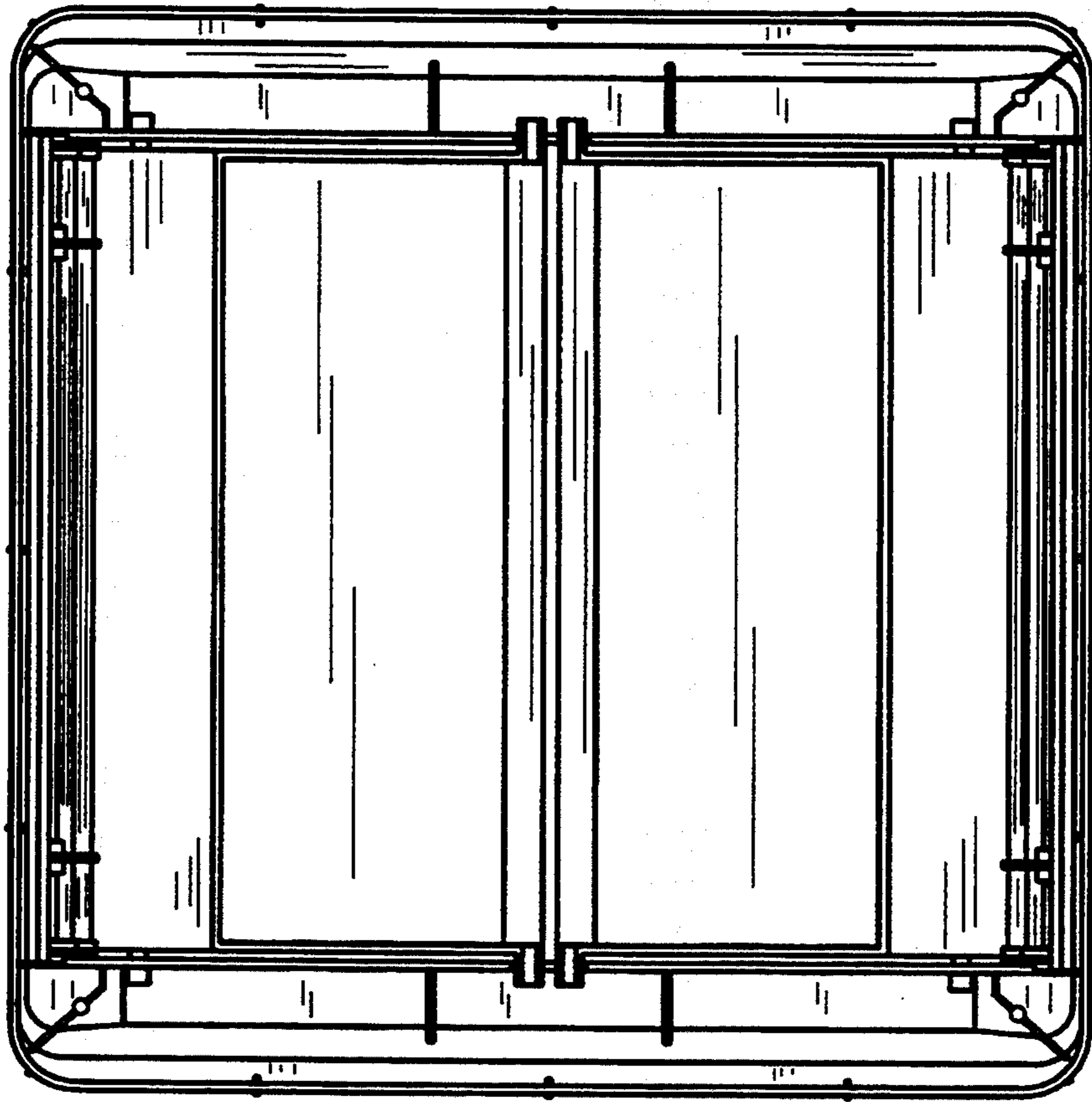


FIG. 4

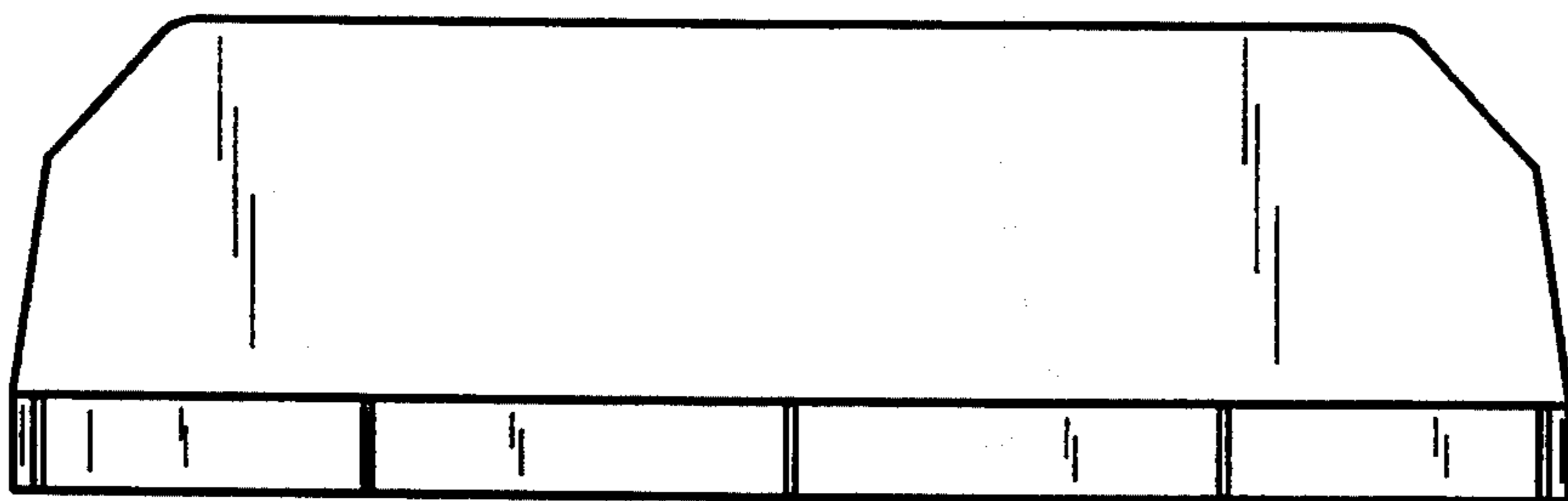


FIG. 5

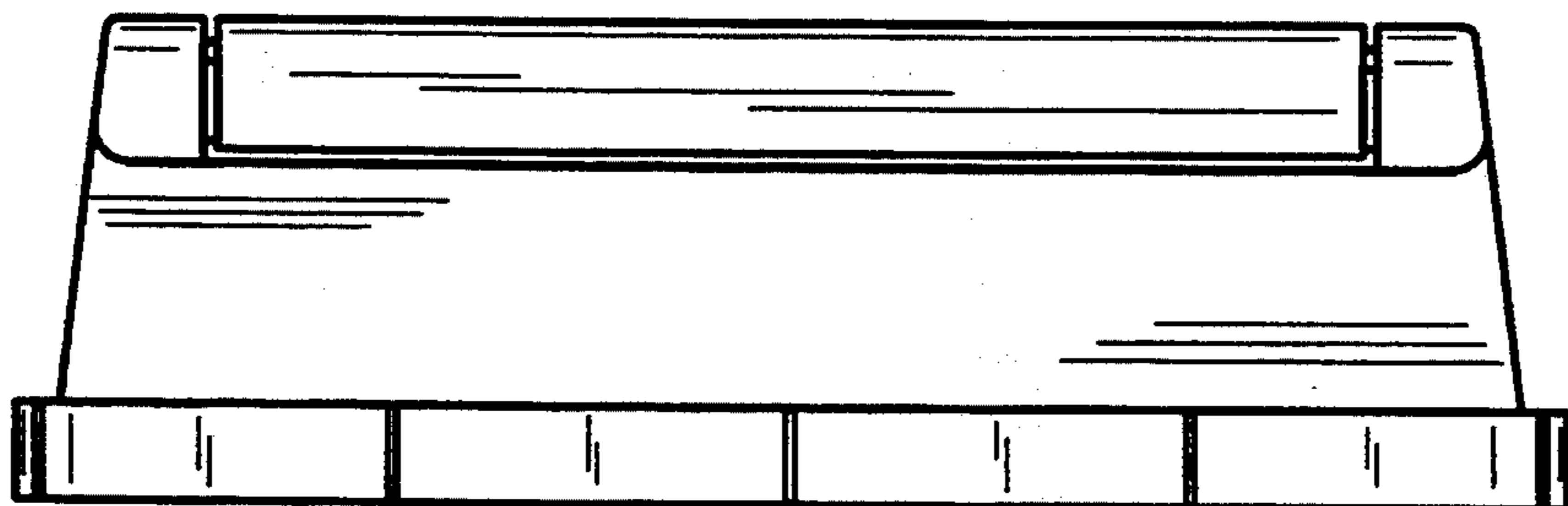


FIG. 6