



US00D358915S

United States Patent [19]

O'Donoghue

[11] Patent Number: **Des. 358,915**

[45] Date of Patent: **** May 30, 1995**

[54] **POURING ATTACHMENT FOR PAINT CONTAINERS**

[76] Inventor: **John P. O'Donoghue**, 5111 E. Timberwood Dr., Newburgh, Ind. 47630-3015

[**] Term: **14 Years**

[21] Appl. No.: **26,347**

[22] Filed: **Jul. 25, 1994**

[52] U.S. Cl. **D32/54**

[58] Field of Search D32/53, 53.1, 54; 15/159.1, 246, 248.1; D9/435; 222/566, 570; 220/697-702

3,159,321	12/1964	Severino	220/570
3,400,867	9/1968	Giannone	D32/54
4,813,579	3/1989	Ciumaga .	
5,072,847	12/1991	Price .	
5,195,662	3/1993	Neff .	
5,234,133	8/1993	Kensey	222/570
5,267,675	12/1993	Cane .	

Primary Examiner—James M. Gandy
Assistant Examiner—Robin V. Taylor

[57] CLAIM

The ornamental design for the pouring attachment for paint containers, as shown and described.

DESCRIPTION

FIG. 1 is a front elevational view of the pouring attachment for paint containers showing my new design; FIG. 2 is a rear elevational view thereof; FIG. 3 is a reduced left side elevational view thereof, the broken lines representing a paint can with which the present invention is used and is shown for illustrative purposes only and forms no part of the claimed design; FIG. 4 is a right side elevational view thereof; FIG. 5 is a top plan view thereof; and, FIG. 6 is a bottom plan view thereof.

[56] References Cited

U.S. PATENT DOCUMENTS

D. 260,735	9/1981	Heath .	
1,867,060	7/1932	Carr	222/570
2,145,748	1/1939	Bailey	222/570
2,627,367	2/1953	Bork	222/570
2,720,346	10/1955	Compton	222/570
2,765,966	10/1956	Davis	222/570
2,767,891	10/1956	Beadles	222/570
3,102,667	9/1963	Ullevig	220/570

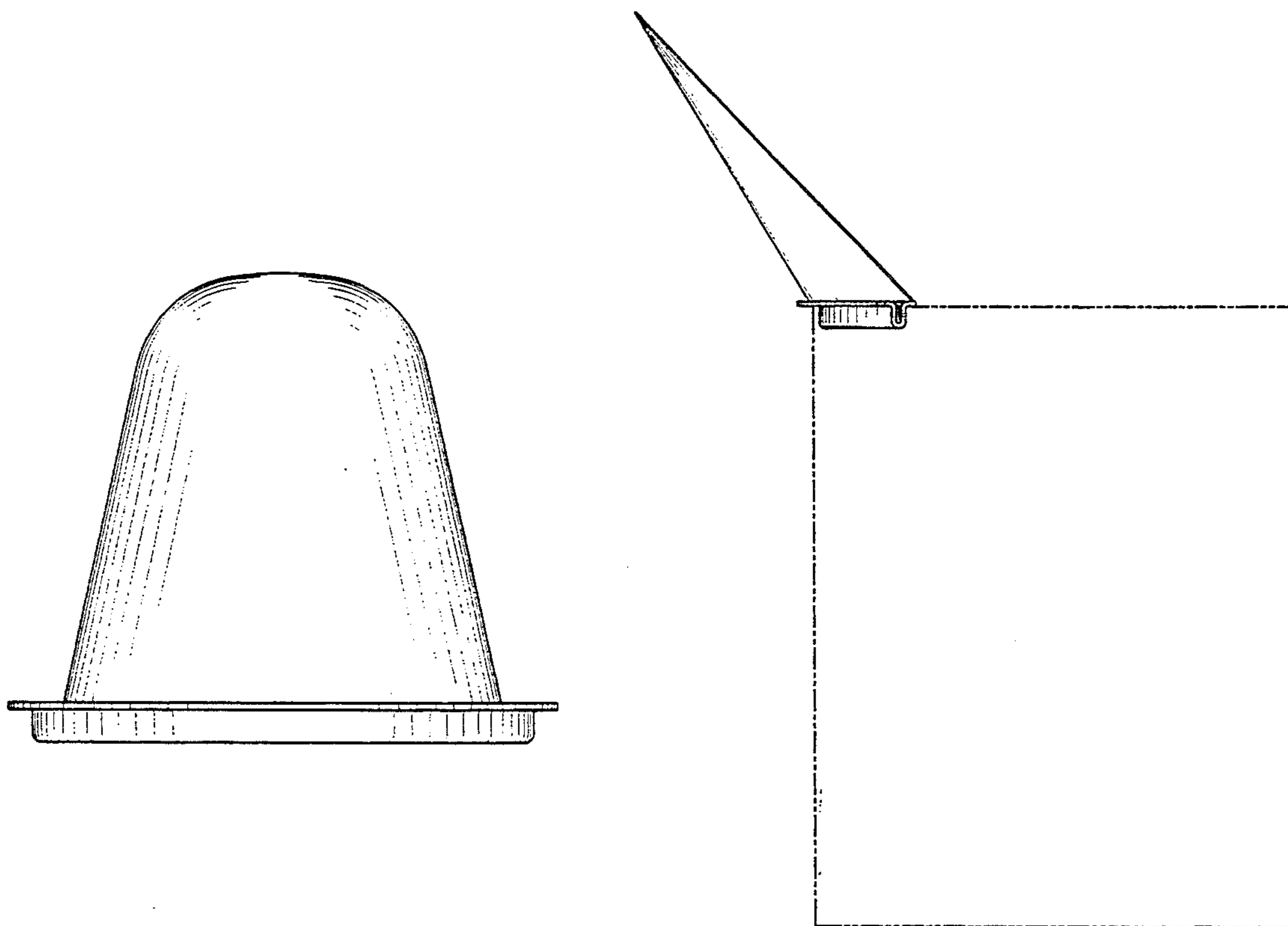


FIG. 1

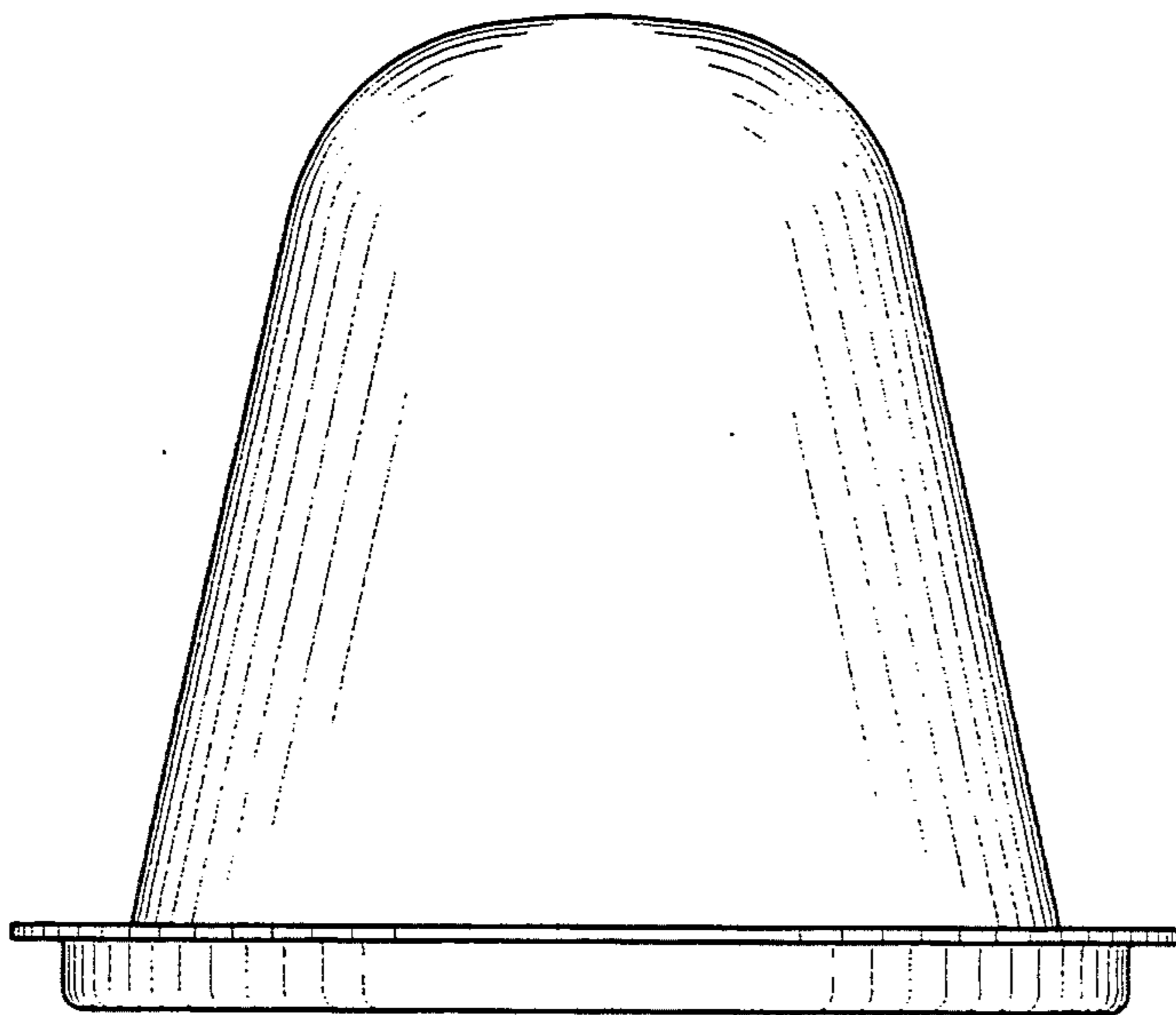


FIG. 2

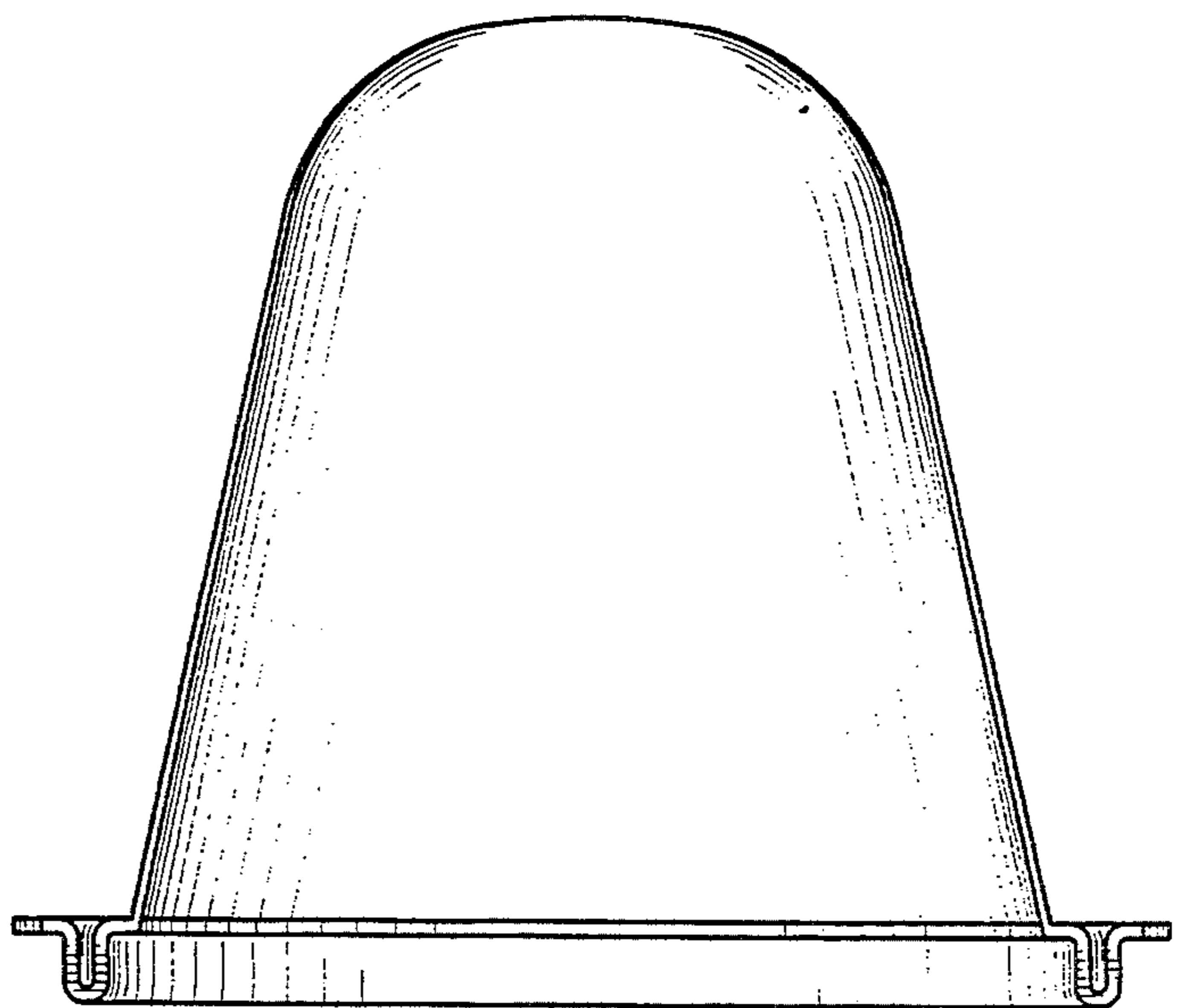


FIG. 3

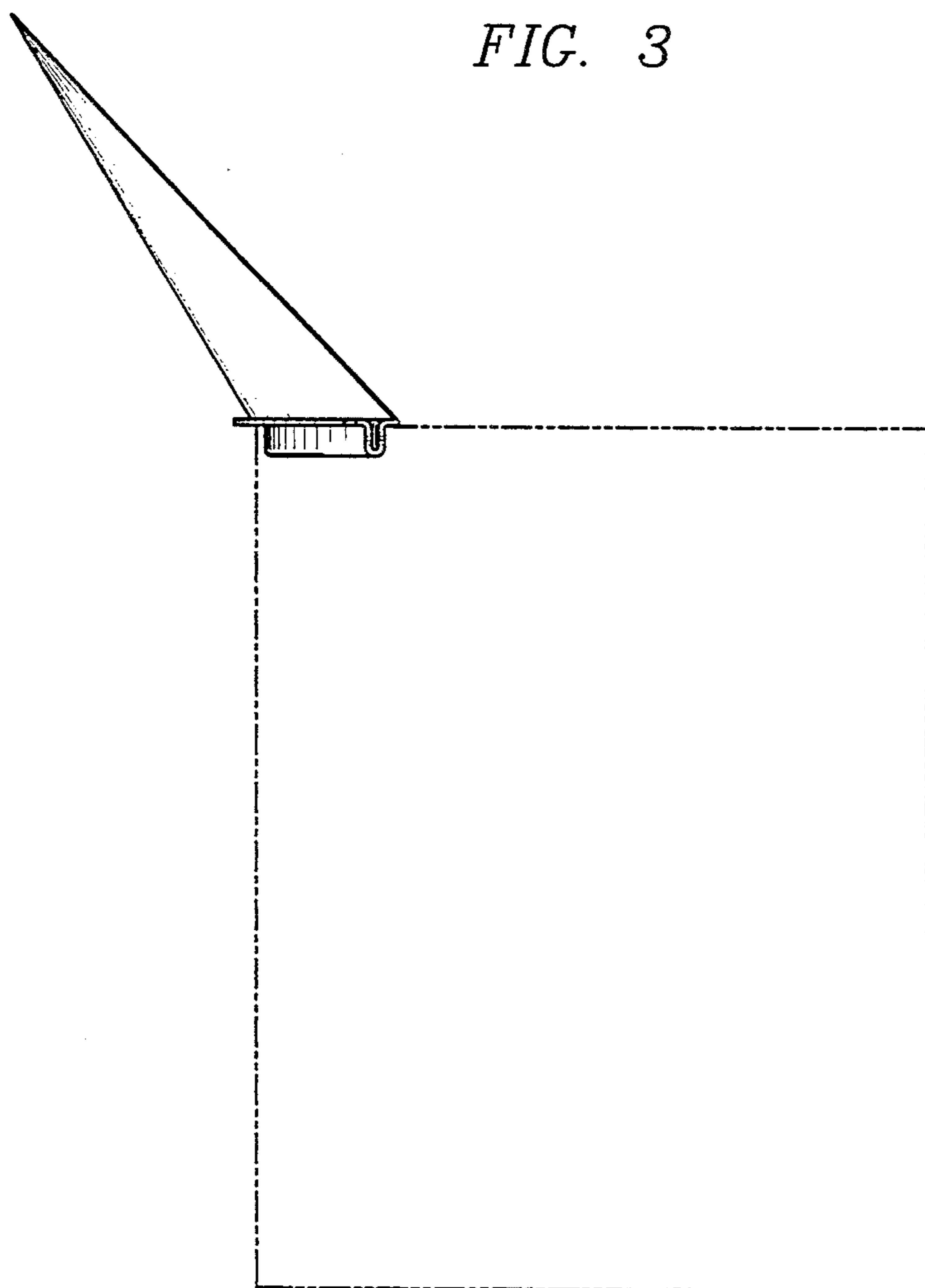


FIG. 4

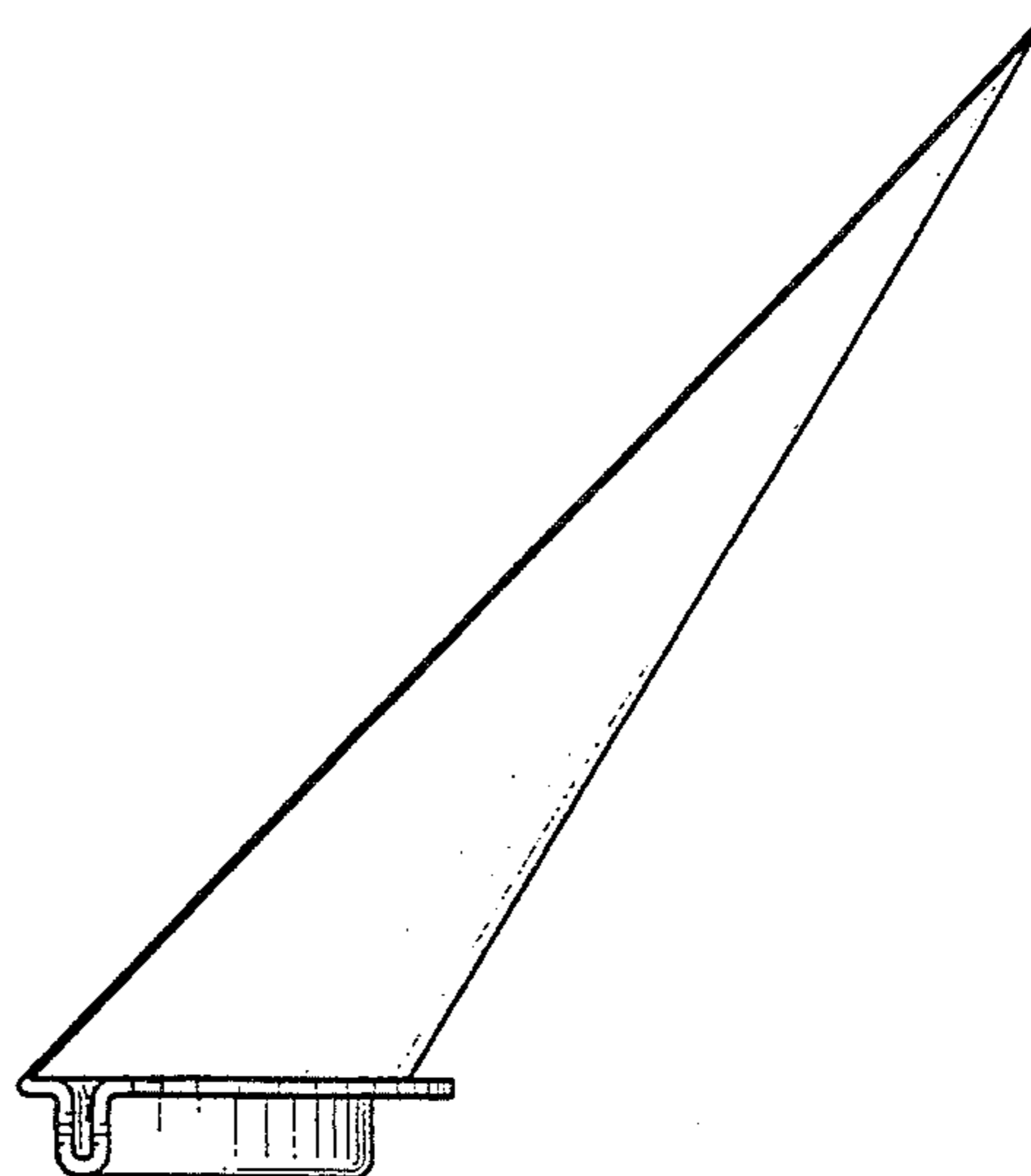


FIG. 5

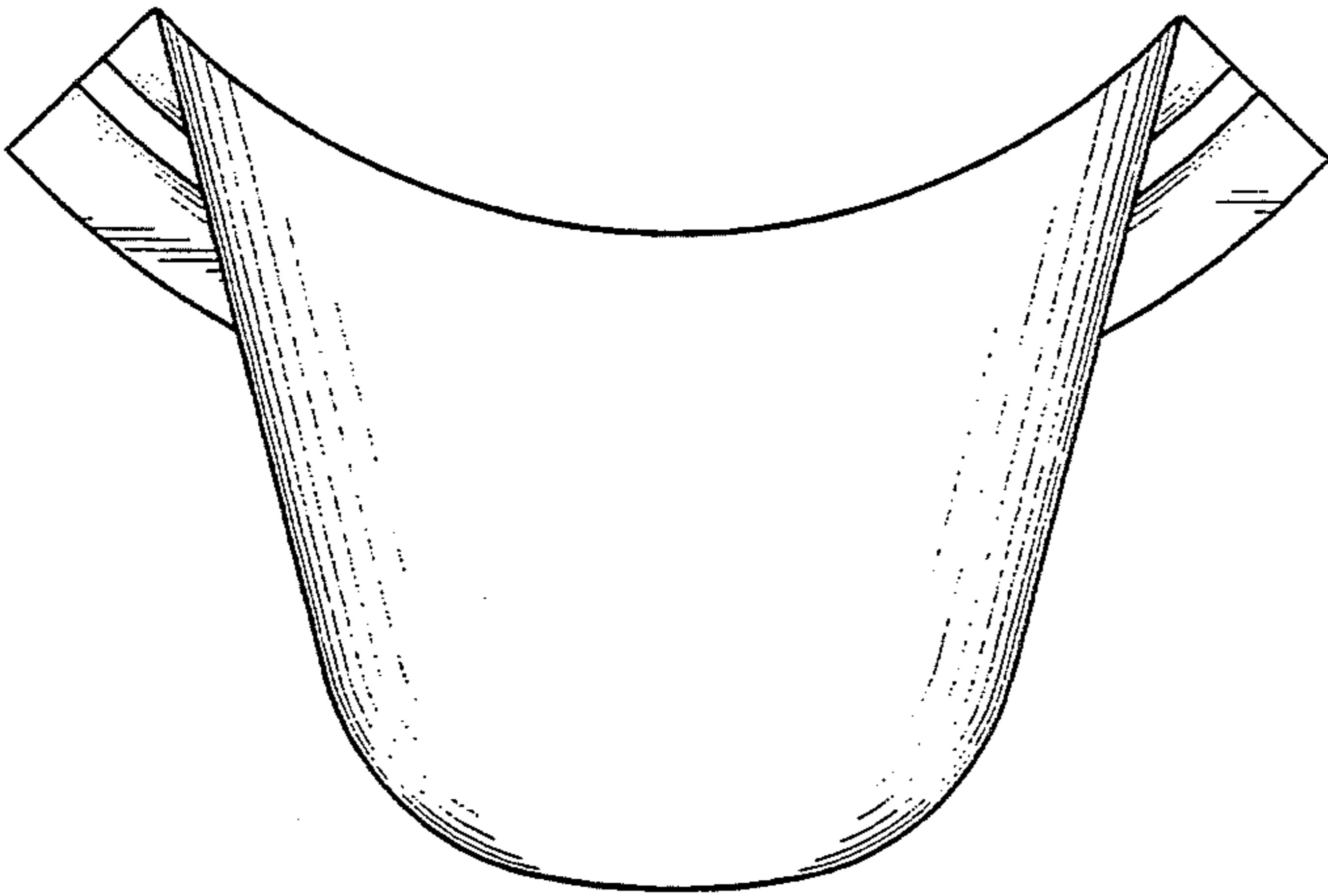


FIG. 6

