



US00D358914S

United States Patent [19]

[11] Patent Number: **Des. 358,914**

Masse et al.

[45] Date of Patent: **** May 30, 1995**

[54] PAINTBRUSH HOLDER

[76] Inventors: **Gérard Masse**, 2355 Belle-Meunière, Neufchatel (Quebec), G2B 126; **Guy Samson**, 1523 William-Scott, Cap-Rouge (Quebec), Canada, G1R 3K4

[**] Term: **14 Years**

[21] Appl. No.: **24,087**

[22] Filed: **Jun. 8, 1994**

[30] Foreign Application Priority Data

Feb. 2, 1994 [CA] Canada 1994-0157

[52] U.S. Cl. **D32/54**

[58] Field of Search D32/53, 53.1, 54; 15/159.1, 246, 248.1, 257.1; 220/697-702; D6/513, 514, 552-554, 567; D8/373

[56] References Cited

U.S. PATENT DOCUMENTS

D. 300,970	5/1989	Walker	D32/54
D. 327,148	6/1992	Alessi	D32/54
4,436,217	3/1984	Ritter	D6/553
5,322,183	6/1994	Strachan	220/697

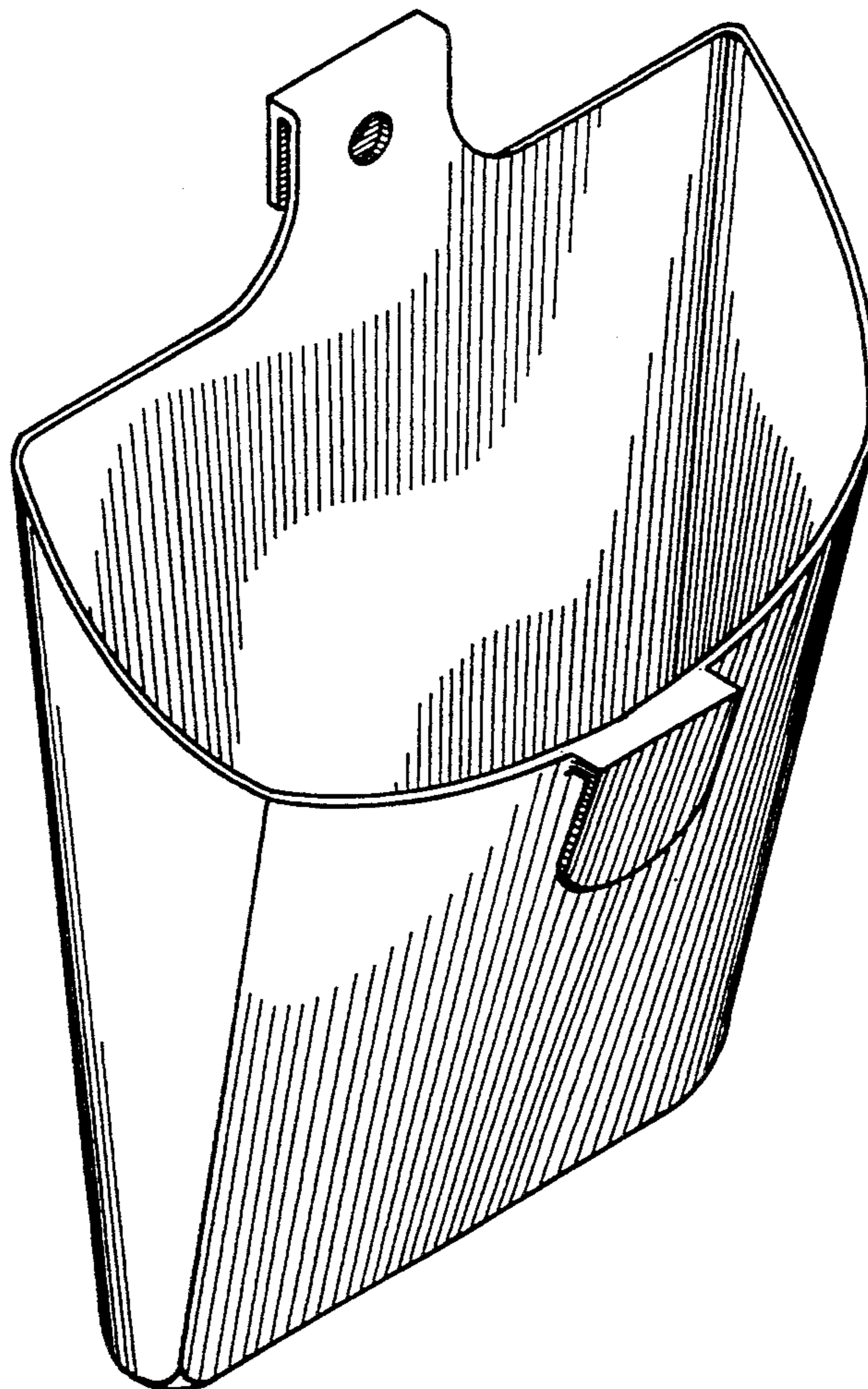
Primary Examiner—James M. Gandy
Assistant Examiner—Robin V. Taylor

[57] CLAIM

The ornamental design for a paintbrush holder, as shown and described.

DESCRIPTION

FIG. 1 is an enlarged perspective view of a paintbrush holder showing my new design; FIG. 2 is a front view thereof, the broken line showing is for illustrative purposes only and forms no part of the claimed design; FIG. 3 is a top view thereof; and, FIG. 4 is a side view thereof, the other side being a mirror image. The undisclosed rear and bottom views are plain and unornamented.



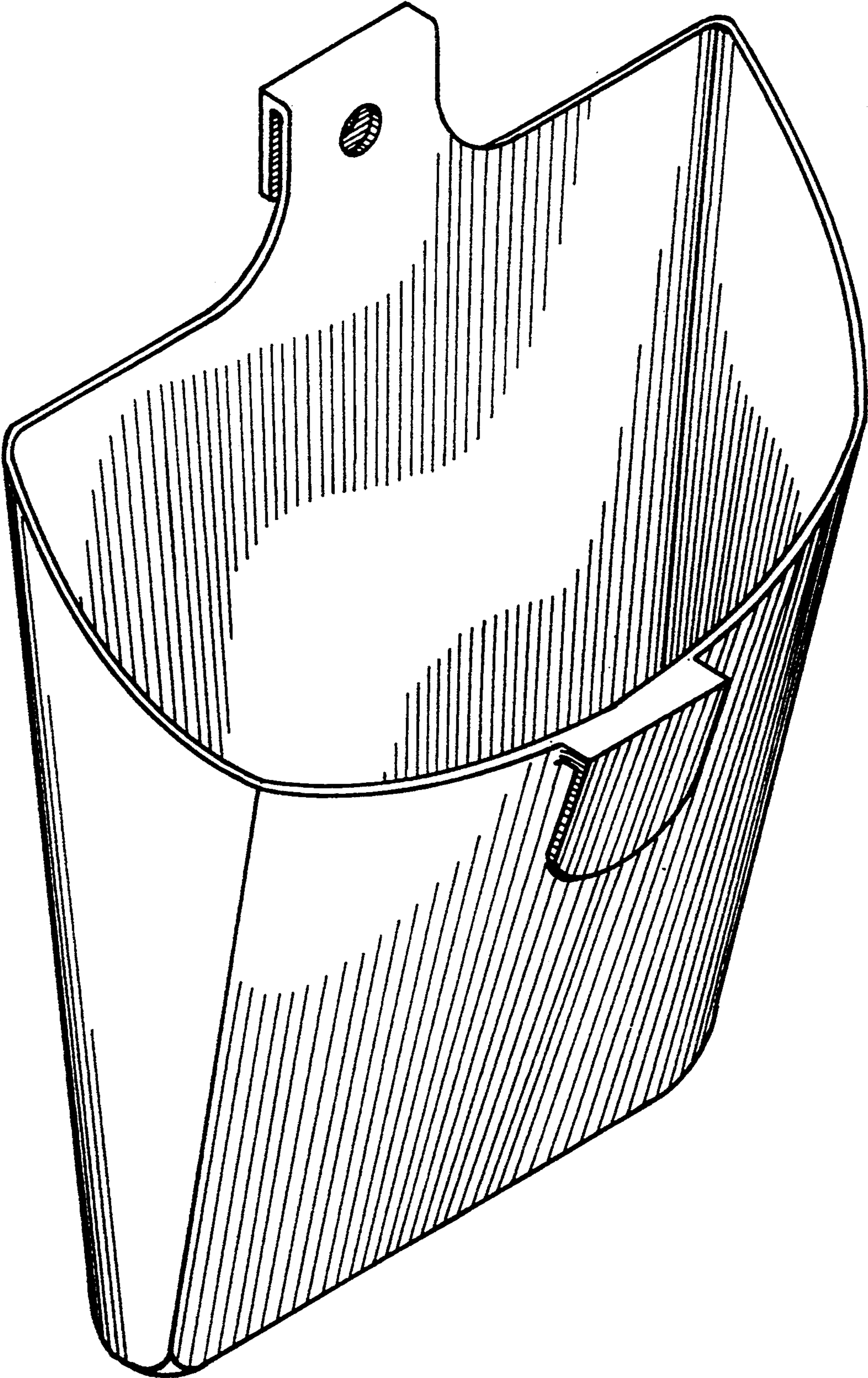


FIG. 1

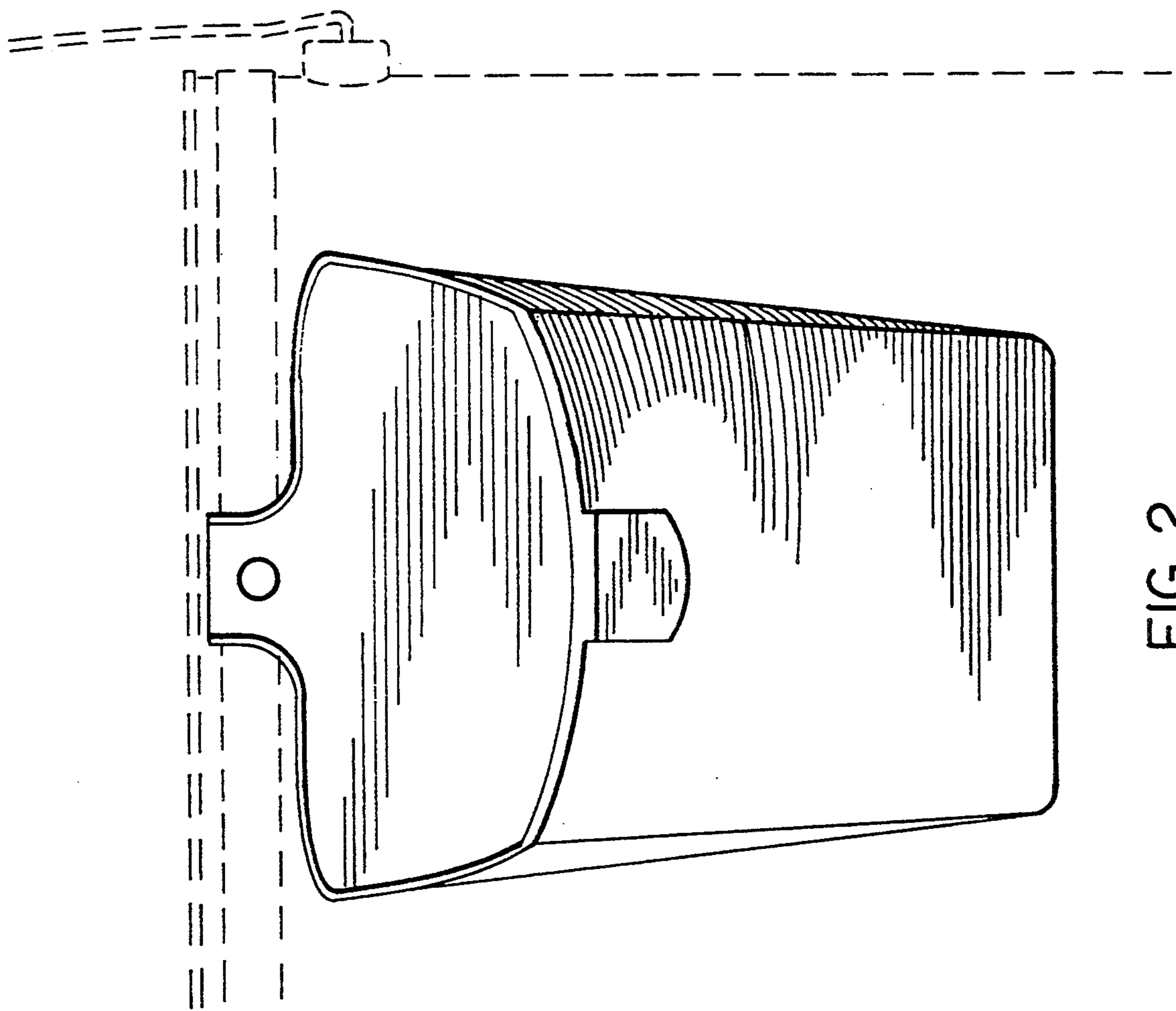


FIG. 2

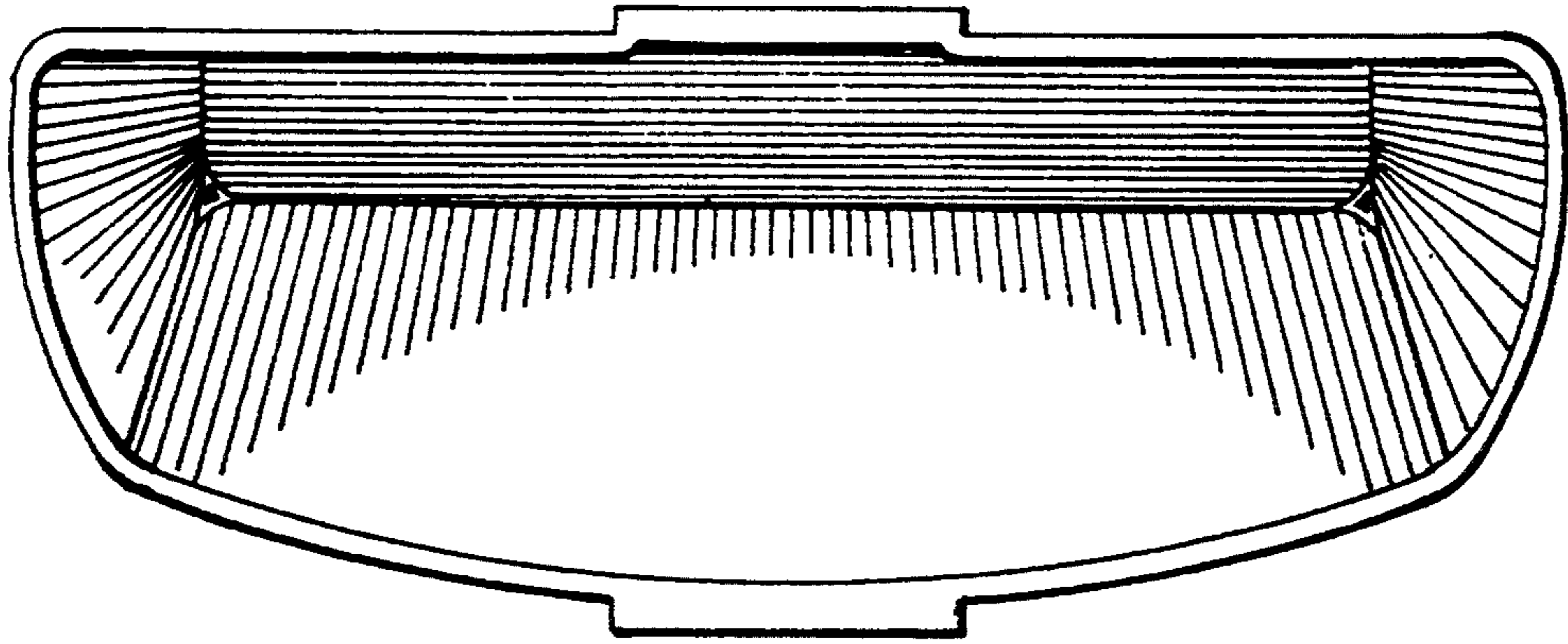


FIG. 3

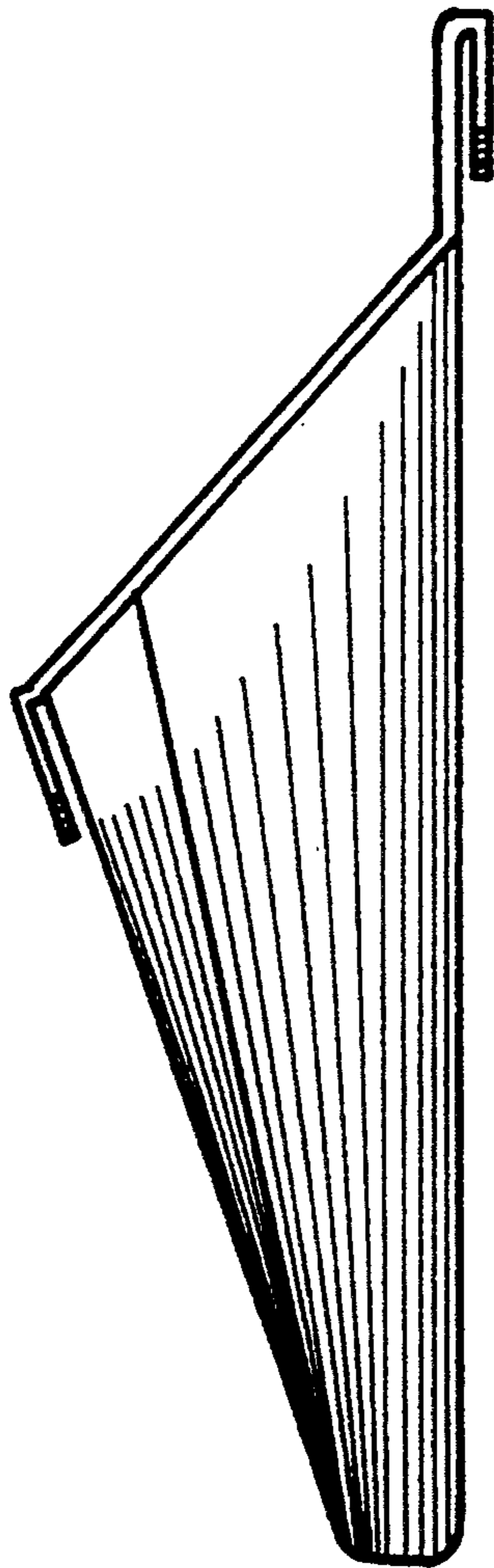


FIG. 4