



US00D358912S

United States Patent [19]

[11] Patent Number: **Des. 358,912**

Baker et al.

[45] Date of Patent: **** May 30, 1995**

[54] **ELECTRIC BLOWER**

[56] **References Cited**

[75] Inventors: **Michael Baker, Chandler; Harold Coleman, Phoenix, both of Ariz.**

U.S. PATENT DOCUMENTS

[73] Assignee: **Ryobi Outdoor Products, Chandler, Ariz.**

D. 263,547	3/1982	Carsello	D32/18
D. 271,715	12/1982	Kiyooka	D32/15
D. 279,319	6/1985	McCloskey	D32/15
D. 297,870	9/1988	Kiyooka et al.	D32/15
D. 299,074	12/1988	Tuggle et al.	D32/15
D. 299,571	1/1989	Kiyooka et al.	D32/15
D. 304,510	11/1989	Baker et al.	D32/15

[**] Term: **14 Years**

Primary Examiner—Ruth McInroy
Attorney, Agent, or Firm—Brooks & Kushman

[21] Appl. No.: **26,231**

[57] CLAIM

[22] Filed: **Jul. 22, 1994**

The ornamental design for an electric blower, as shown and described.

Related U.S. Application Data

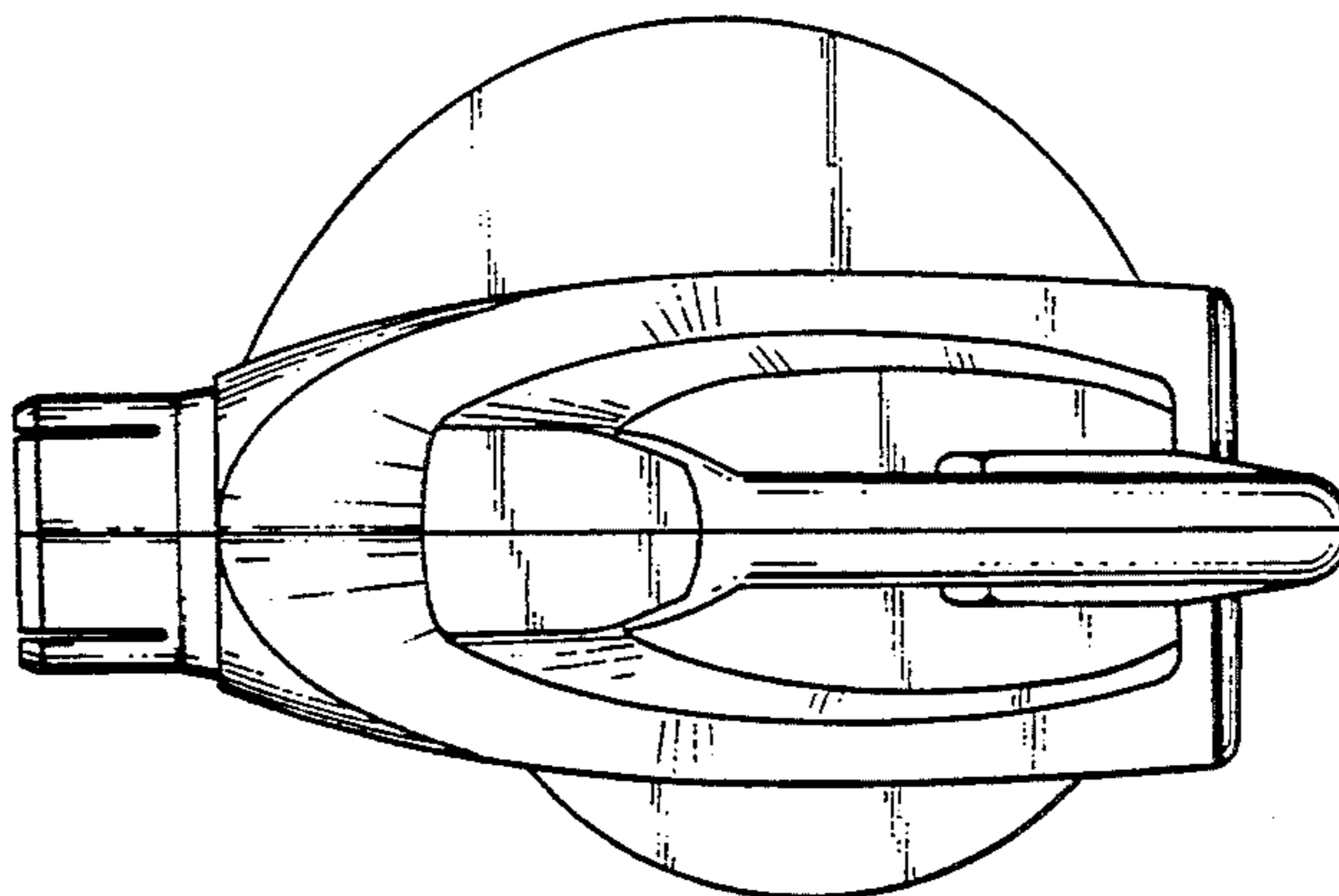
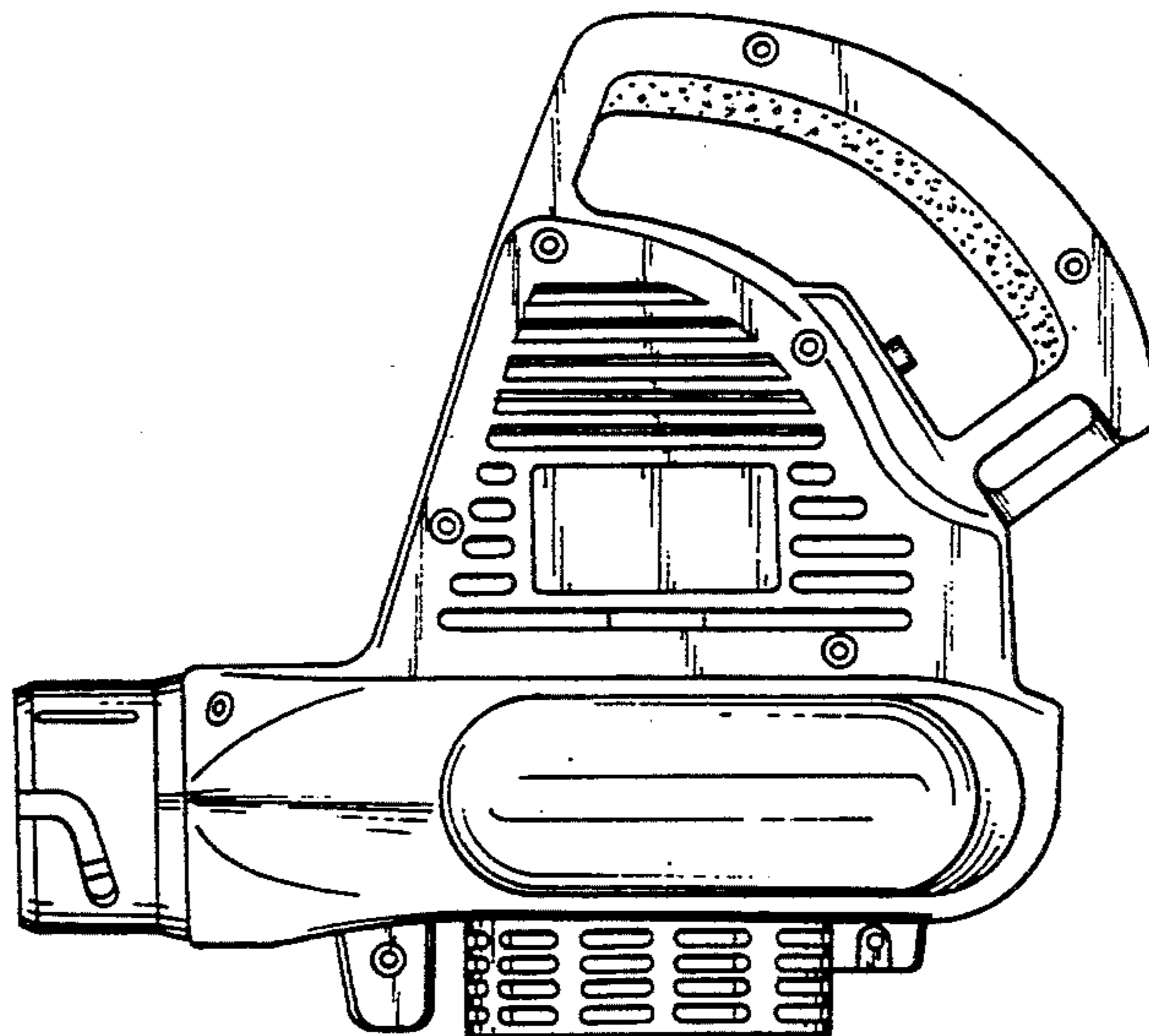
DESCRIPTION

[62] Division of Ser. No. 896,542, Jun. 10, 1992, Pat. No. Des. 352,579.

FIG. 1 is a right side elevational view of an electric blower showing my new design;
FIG. 2 is a rear elevation view thereof;
FIG. 3 is a left side elevation view thereof;
FIG. 4 is a bottom plan view thereof;
FIG. 5 is a top plan view thereof; and,
FIG. 6 is a front elevation view thereof.

[52] U.S. Cl. **D32/15**

[58] Field of Search **D32/15, 17, 21, 25, D32/32; 15/316.1-318.1, 344, 405, 415.1; 239/589, 597, 598, 599, DIG. 13, DIG. 19, DIG. 21, DIG. 22; D23/213**



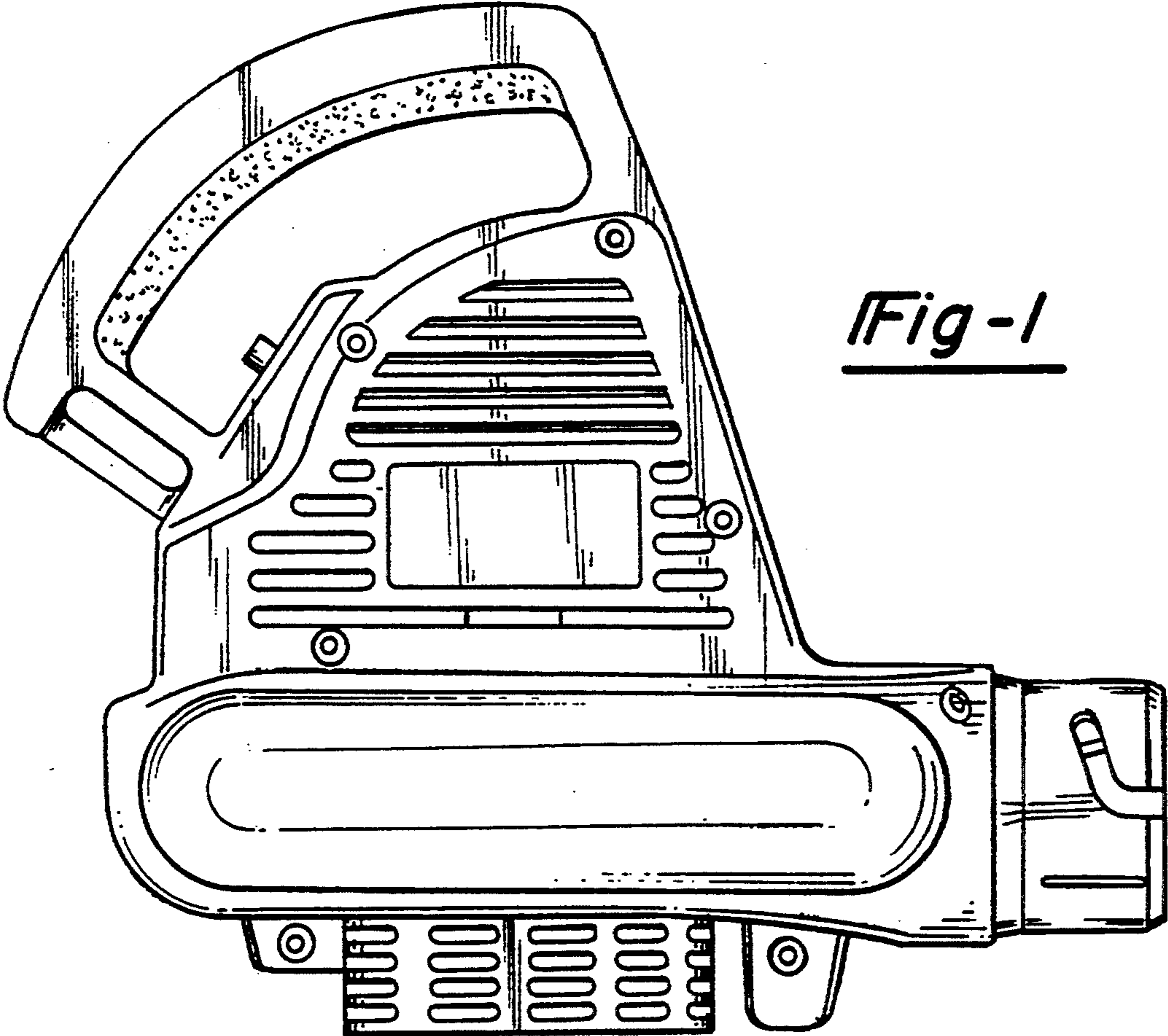


Fig-1

Fig-2

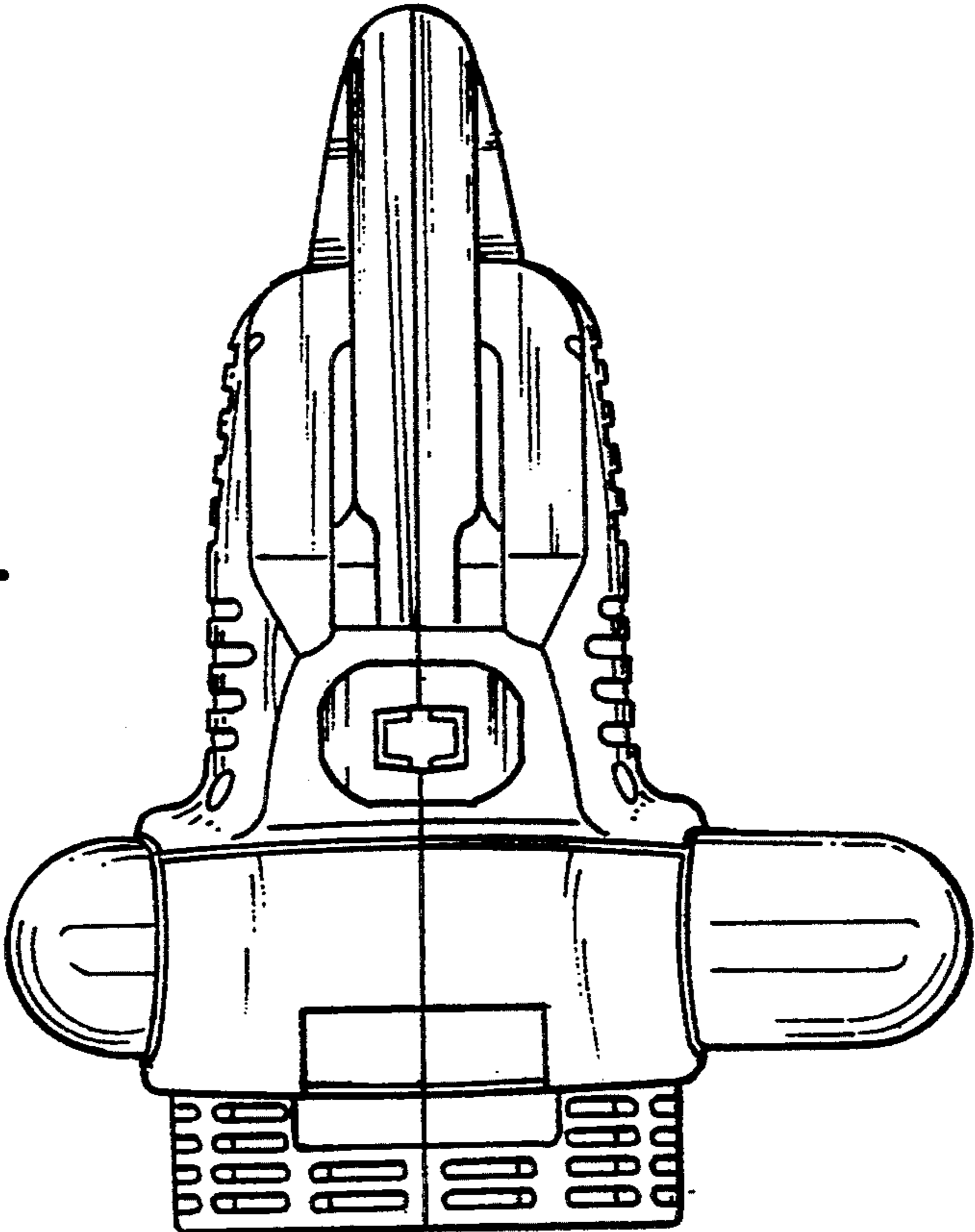


Fig-3

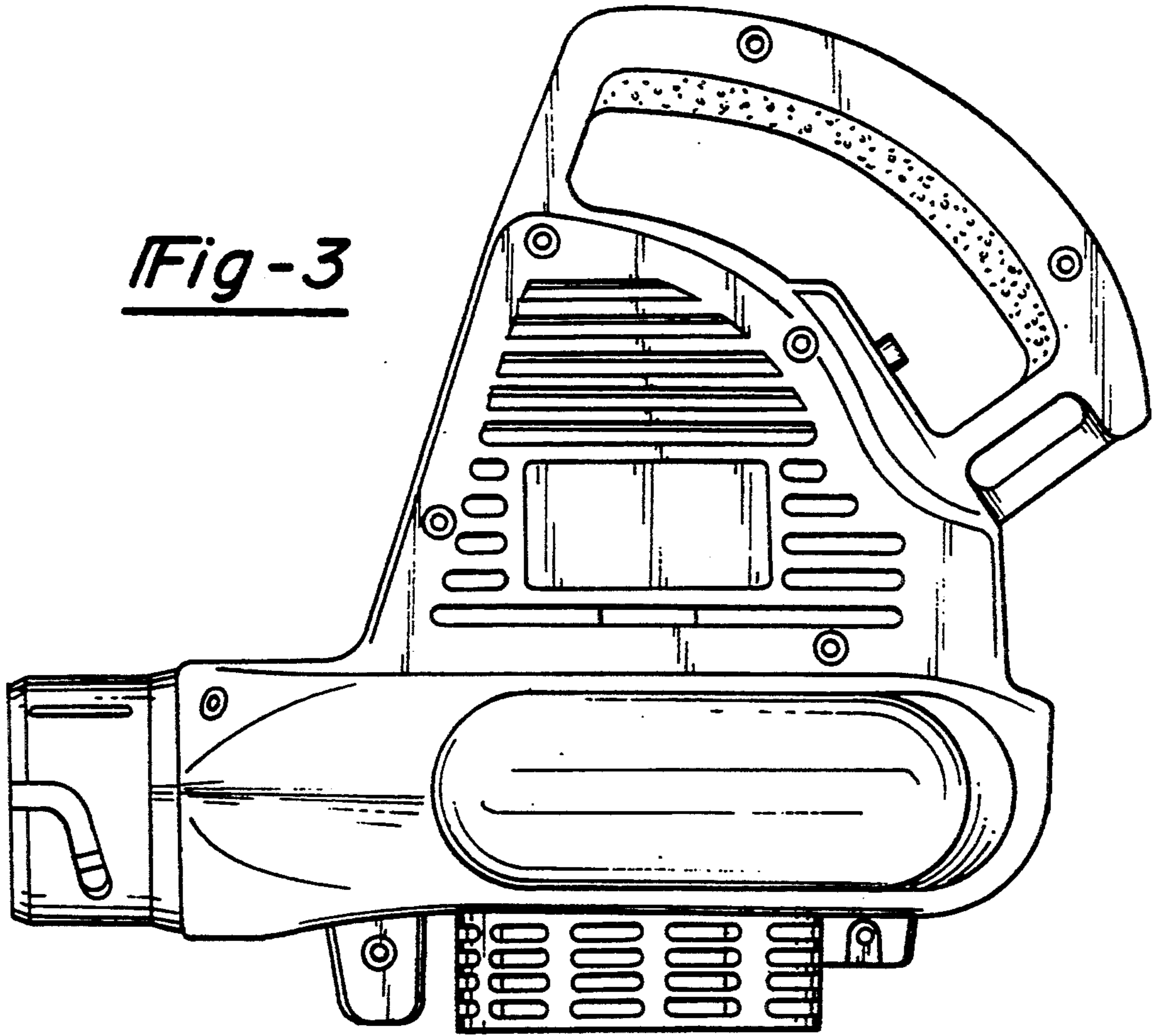
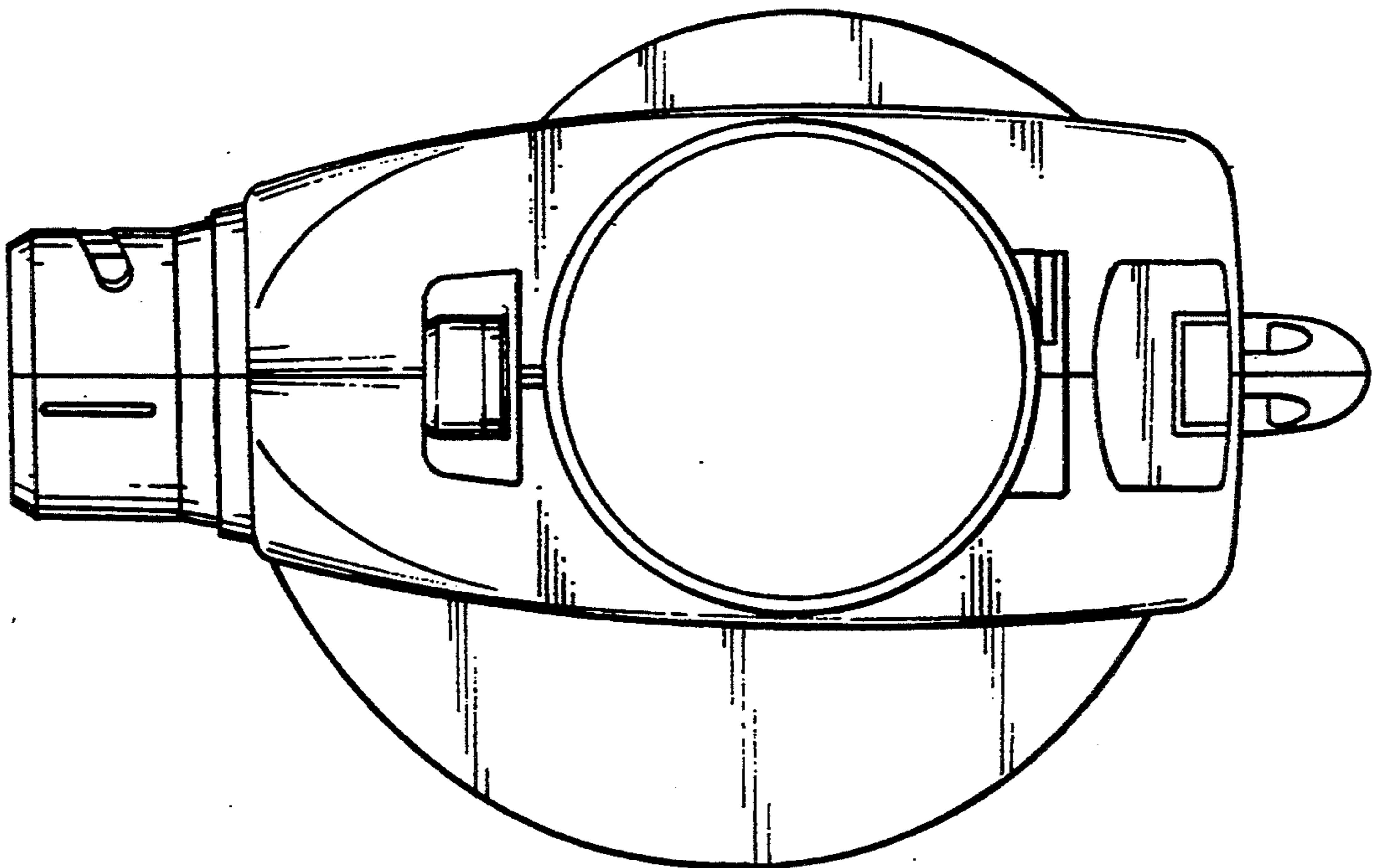


Fig-4



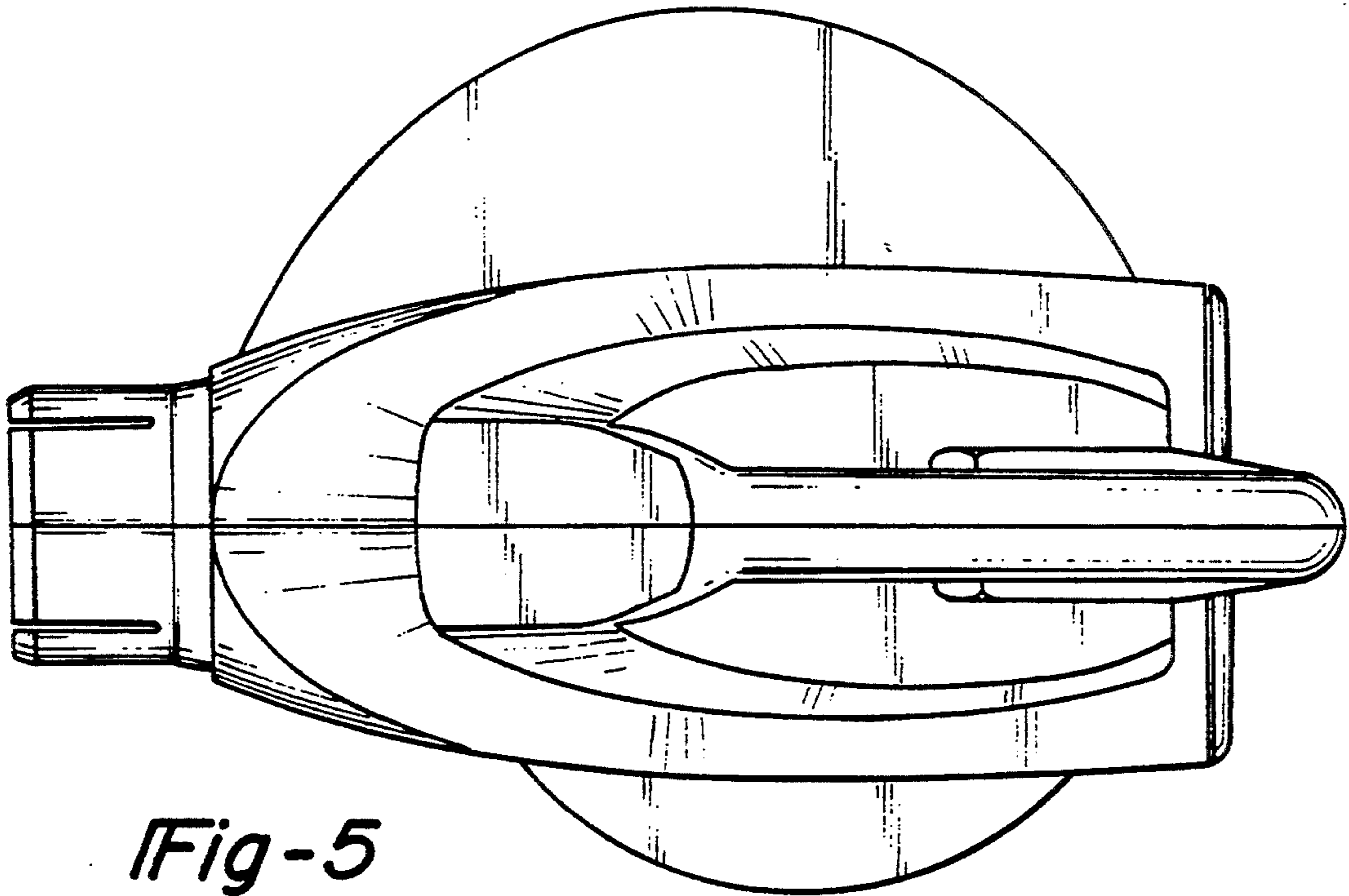


Fig-5

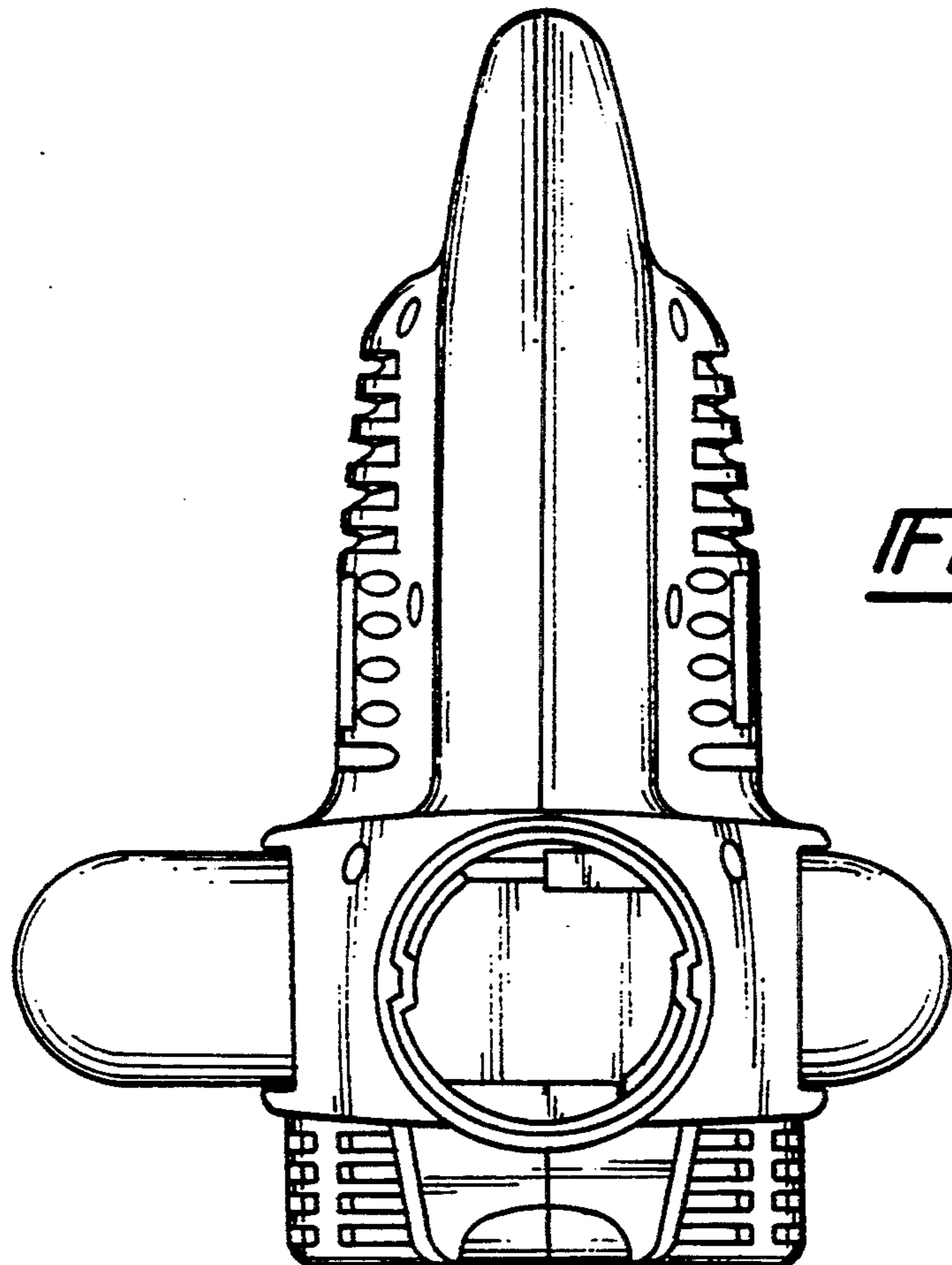


Fig-6