



US00D358910S

United States Patent [19]

[11] Patent Number: **Des. 358,910**

Frasier

[45] Date of Patent: **** May 30, 1995**

[54] **PARROT TOY**

5,123,378 6/1992 Bayne 119/707

[75] Inventor: **Lyman H. Frasier, Aurora, Colo.**

FOREIGN PATENT DOCUMENTS

[73] Assignee: **Frasier Products, Inc., Denver, Colo.**

667365 10/1929 France 411/435

[**] Term: **14 Years**

1003122 3/1952 France 411/435

[21] Appl. No.: **16,845**

2718562 11/1978 Germany 411/435

[22] Filed: **Dec. 28, 1993**

2064048 6/1981 United Kingdom 411/85

[52] U.S. Cl. **D30/160; 411/84; D8/397**

OTHER PUBLICATIONS

Gries Reproducer Corp., Brochure; Wing Nuts; Sep. 1962; p. 3.

[58] Field of Search **D30/119, 158, 160, 133; 119/707-708, 711-713; 411/84, 85, 435; D8/397**

Primary Examiner—Cathy Anne MacCormac
Attorney, Agent, or Firm—Dorr, Carson, Sloan & Birney

[56] References Cited

[57] CLAIM

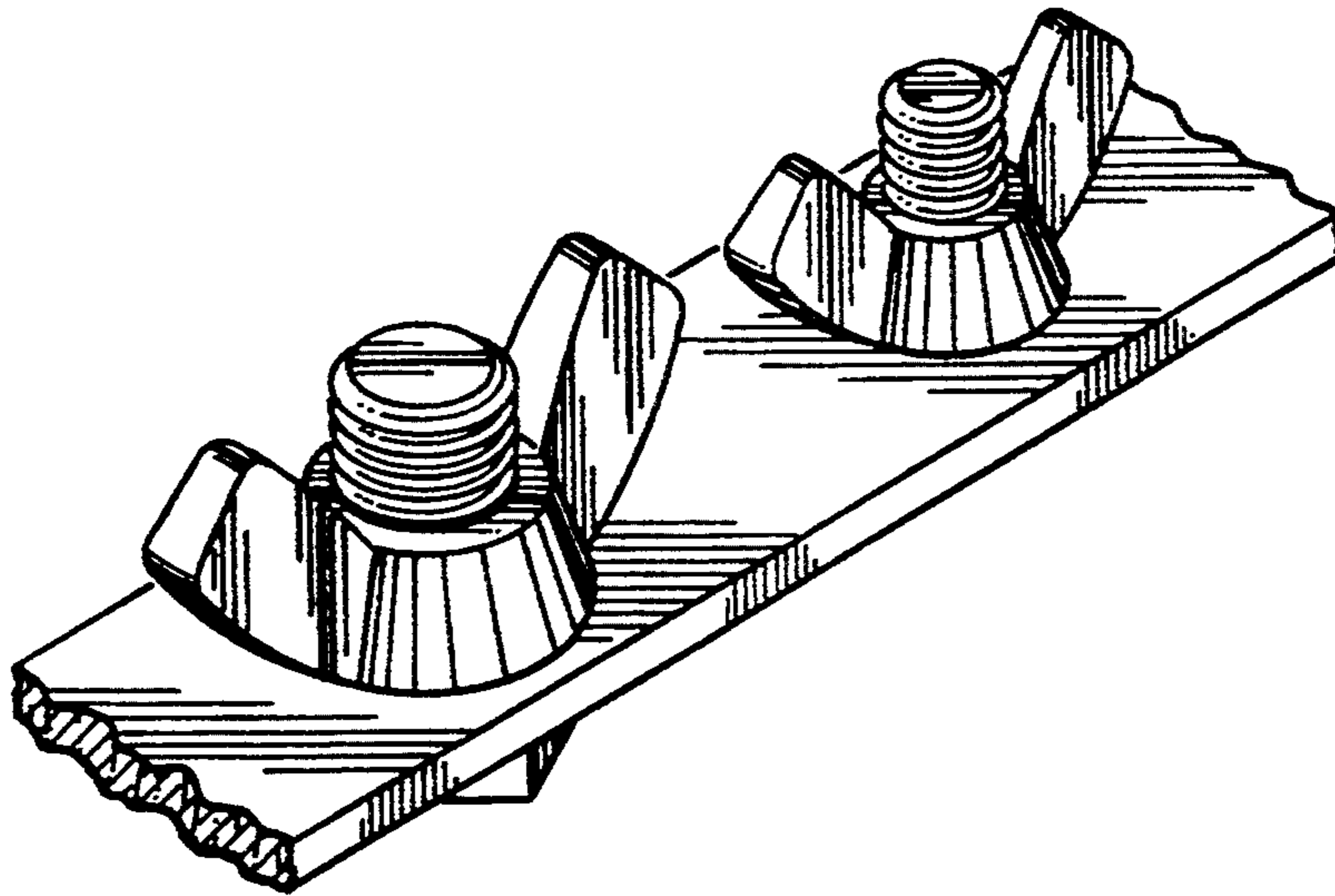
U.S. PATENT DOCUMENTS

The ornamental design for a parrot toy, as shown and described.

D. 286,693	11/1986	Haywood et al.	D30/119
D. 337,393	7/1993	Weldy	D30/160
D. 339,663	9/1993	Gonda	D30/119
1,247,437	11/1917	McLaughlin	411/435
1,794,034	2/1931	Russell	411/435
2,707,937	5/1955	Herman	119/708
2,827,973	3/1958	Coleman	411/435
4,542,714	9/1985	Ingraham et al.	119/708
4,571,135	2/1986	Martin et al.	411/85
5,064,325	11/1991	McRoskey	411/435

DESCRIPTION

FIG. 1 is a perspective view of a parrot toy showing our new design;
FIG. 2 is a top plane view thereof;
FIG. 3 is a right side elevational view thereof;
FIG. 4 is a bottom plane view thereof;
FIG. 5 is a front elevational view thereof; and,
FIG. 6 is a rear elevational view thereof.



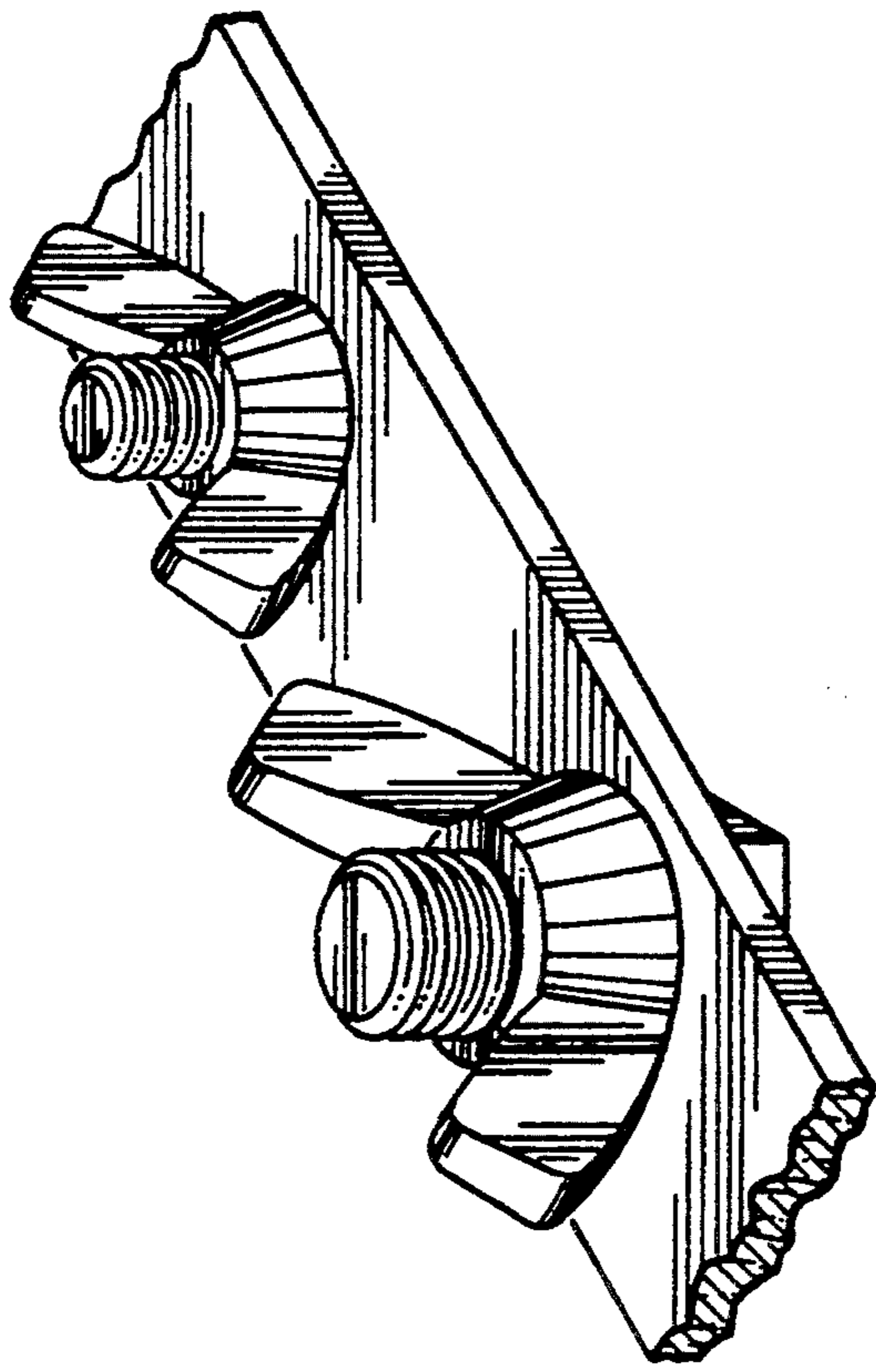


Fig. 1

Fig. 2

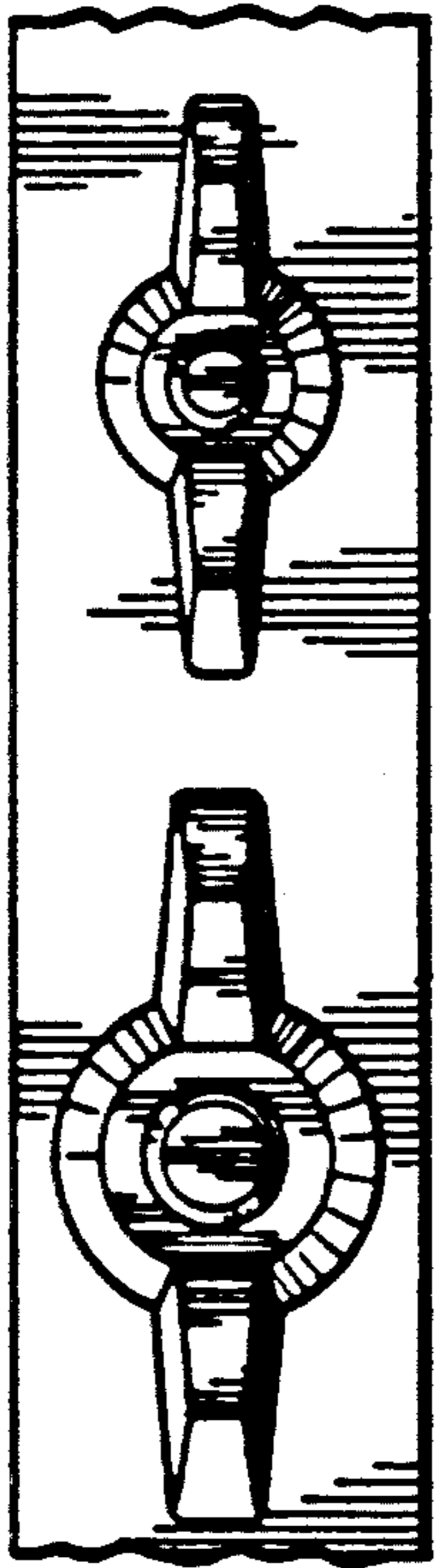


Fig. 3

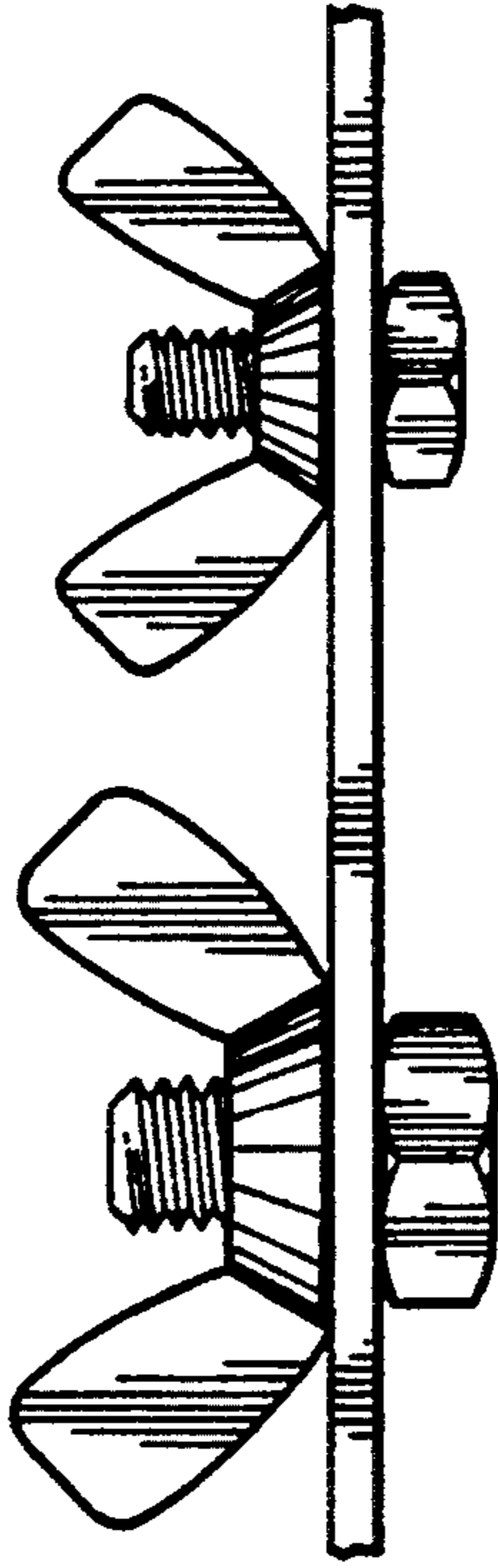


Fig. 4

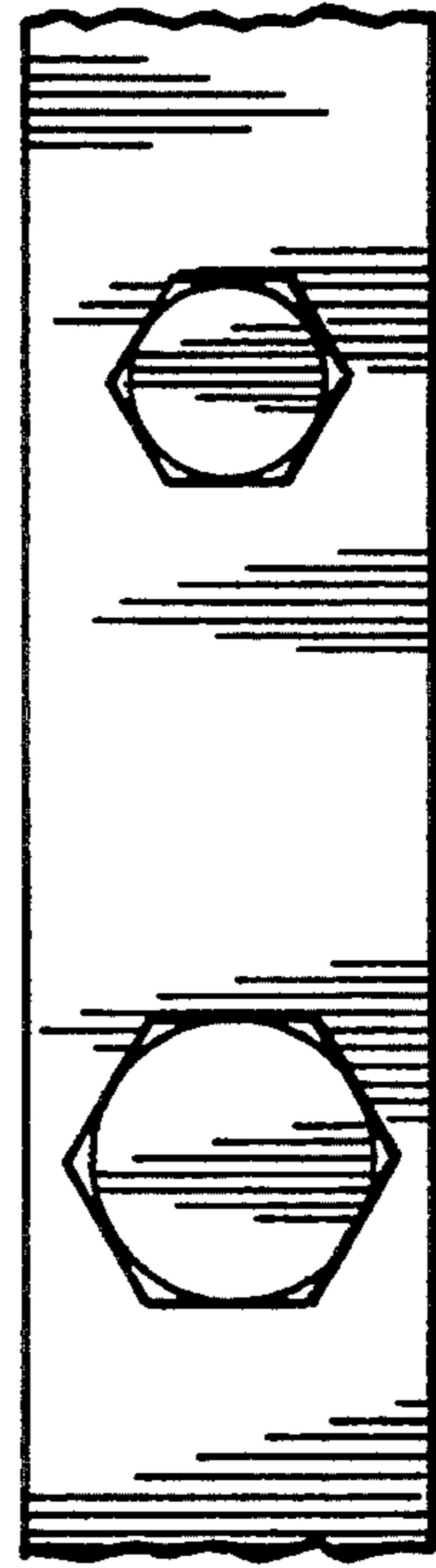


Fig. 5

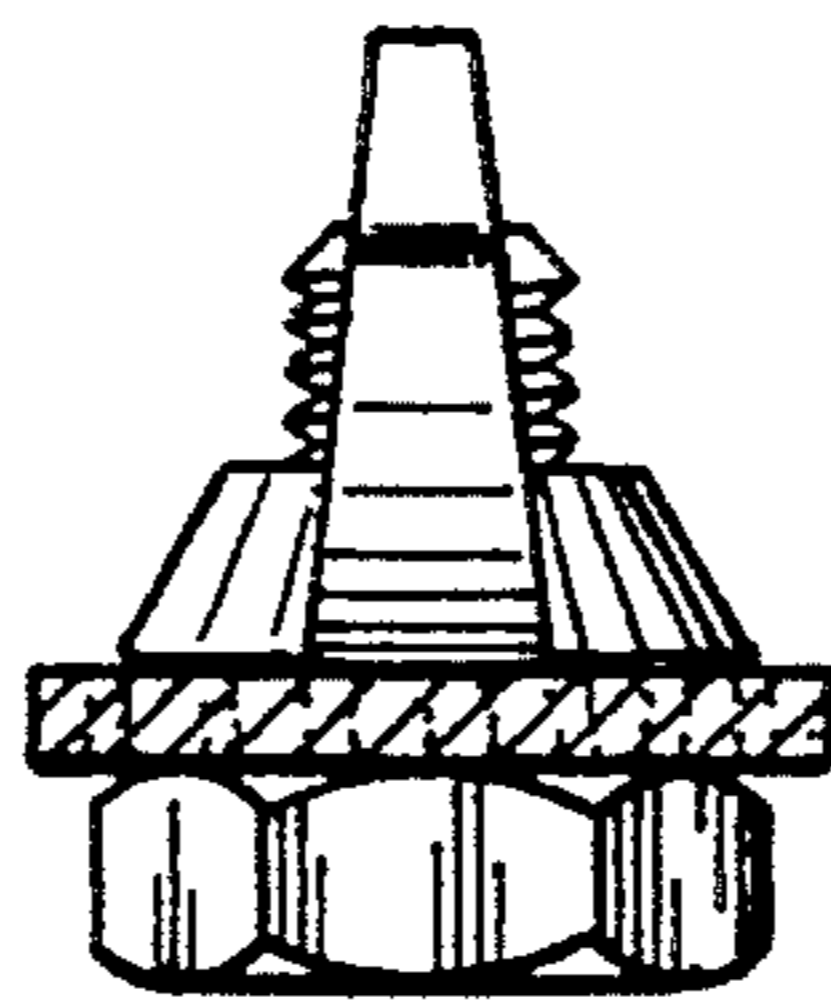


Fig. 6

