



US00D358909S

# United States Patent [19]

[11] Patent Number: **Des. 358,909**

**Rawski**

[45] Date of Patent: **\*\* May 30, 1995**

[54] **COMBINED PET GROOMING TOOL AND REPLACEABLE CARTRIDGE**

[76] Inventor: **Louis Rawski**, 410 Morningside St., North Long Beach, Calif. 90805

[\*\*] Term: **14 Years**

[21] Appl. No.: **6,843**

[22] Filed: **Apr. 15, 1993**

[52] U.S. Cl. .... **D30/159**; 30/30; 119/87; 132/219; D30/158

[58] Field of Search ..... 30/30, 42.2; D30/158, D30/159; 119/86-87, 85, 83, 156; 132/125, 147, 219; D28/45-48, 52, 54, 25, 30, 53

[56] **References Cited**

**U.S. PATENT DOCUMENTS**

D. 307,067	4/1990	Kuhl et al. ....	119/83
D. 327,821	7/1992	Debiens .....	D30/159
D. 340,783	10/1993	McCambridge .....	D30/158
2,155,299	4/1939	Broyles .....	132/125
3,308,500	3/1967	Woodruff .....	119/85
3,977,420	8/1976	Yalof .....	132/219
4,044,724	8/1977	Merchill .....	119/83
4,815,232	3/1989	Rawski .....	119/87
5,188,132	2/1993	Barkus .....	132/219
5,267,528	12/1993	Murieen, Sr. ....	119/83

**FOREIGN PATENT DOCUMENTS**

50068	9/1911	Austria .....	119/83
2661596	11/1991	France .....	132/219
954730	12/1956	Germany .....	132/219
337746	5/1959	Switzerland .....	119/86
3888	of 1896	United Kingdom .....	119/83

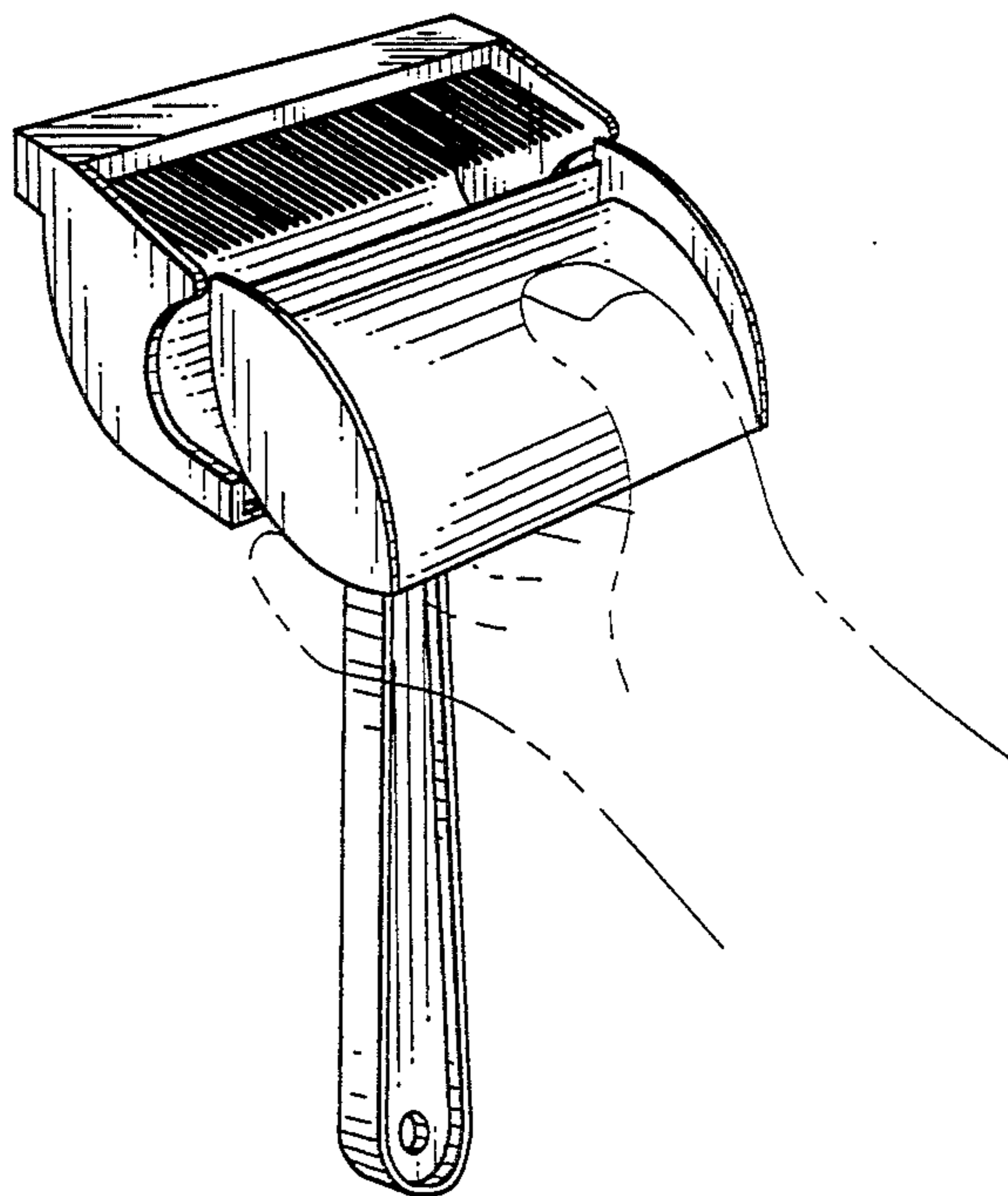
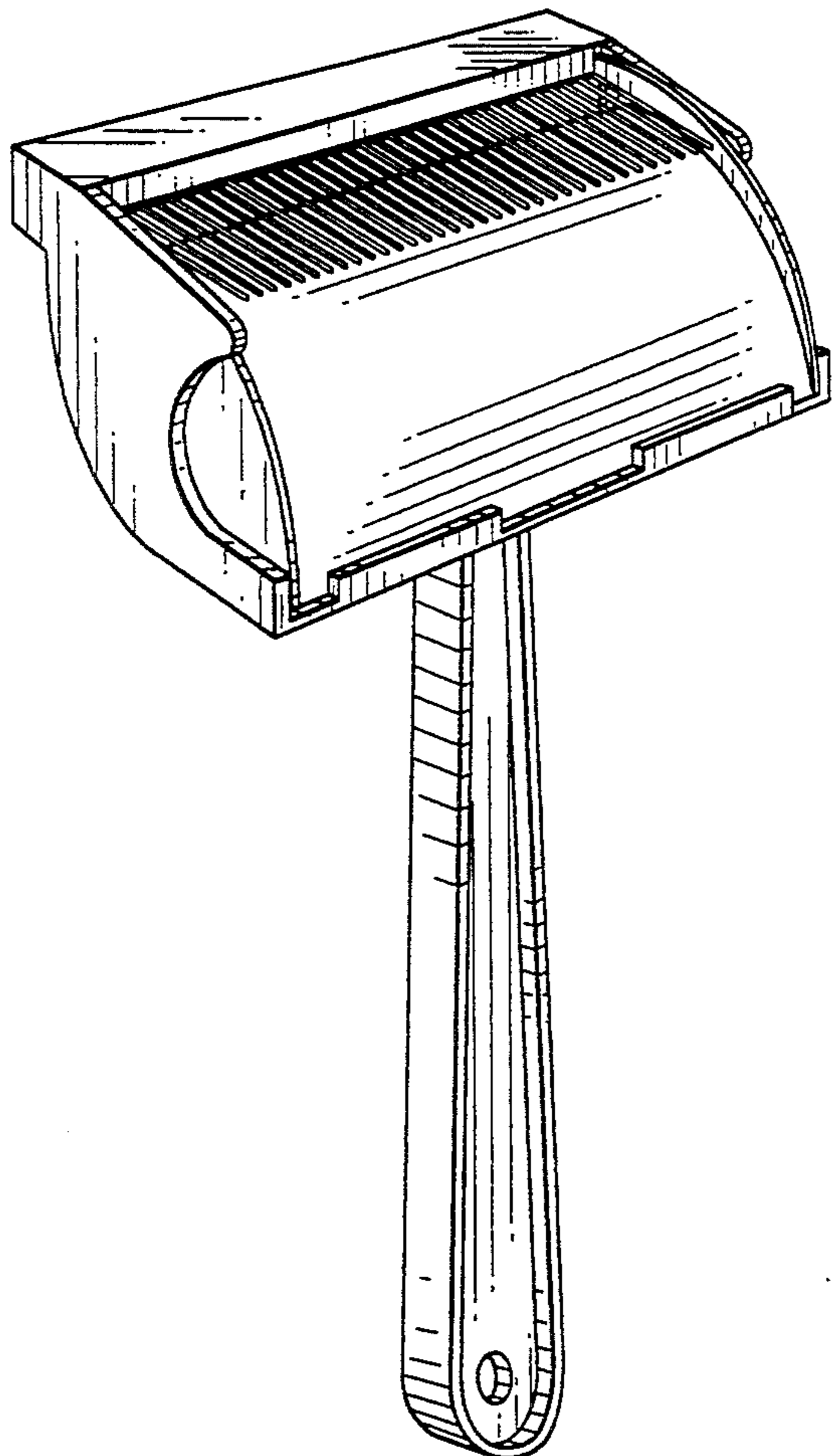
*Primary Examiner*—Cathy Anne MacCormac  
*Attorney, Agent, or Firm*—Gunn, Lee & Miller

[57] **CLAIM**

The ornamental design of a combined pet grooming tool and replaceable cartridge, as shown and described.

**DESCRIPTION**

FIG. 1 is a front, left side, top perspective view showing my new design;  
FIG. 2 is a front elevation view thereof;  
FIG. 3 is a right side elevation view thereof;  
FIG. 4 is a top plan view thereof;  
FIG. 5 is a rear elevation view thereof;  
FIG. 6 is a left side elevation view thereof;  
FIG. 7 is a bottom plan view thereof; and,  
FIG. 8 is a front, left side, top perspective view thereof with a cartridge between inserted into the tool.  
The broken lines in FIG 8 are for purposes of illustration only and form no part of the claimed design.



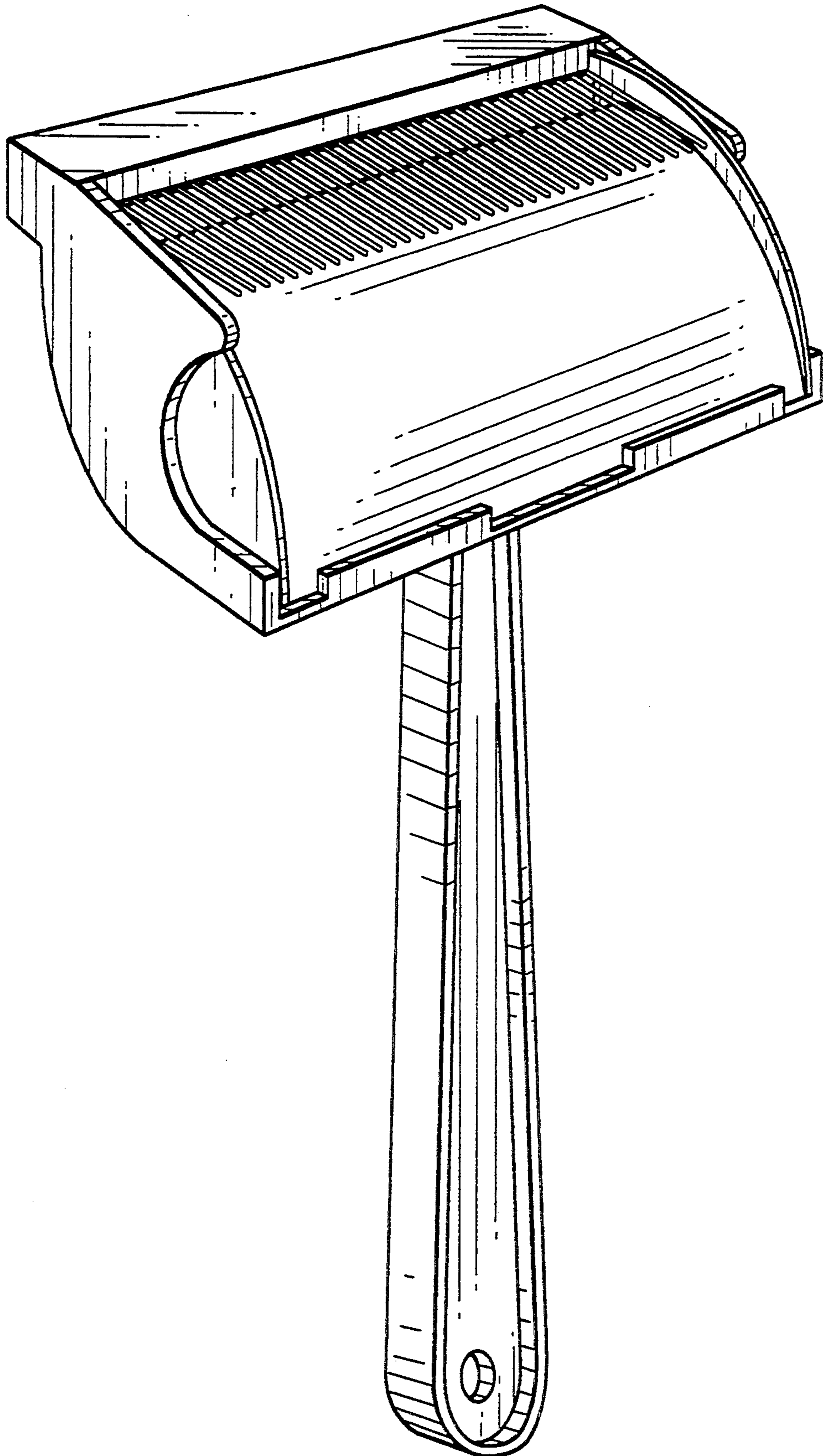


Fig. 1

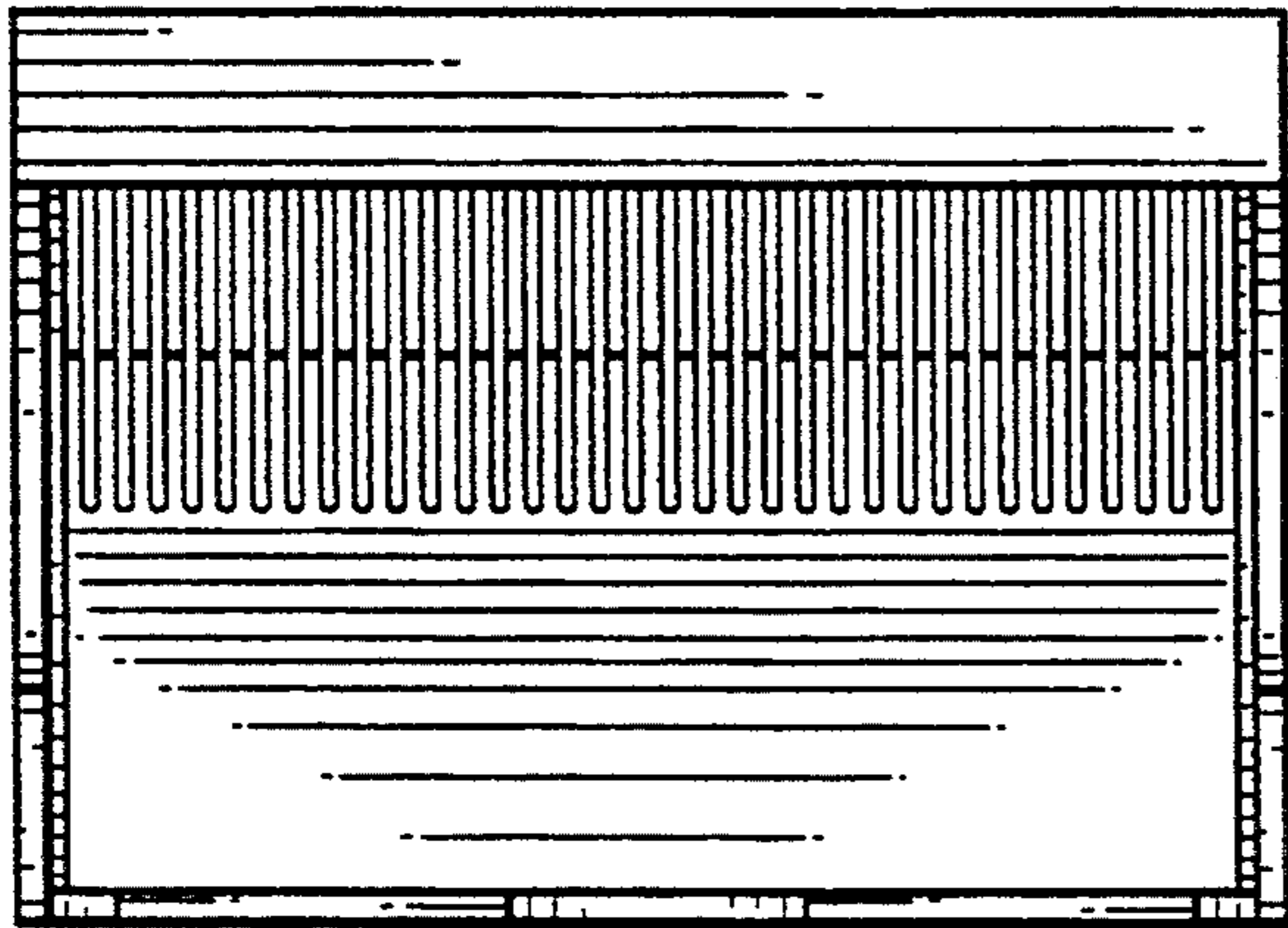


Fig. 4

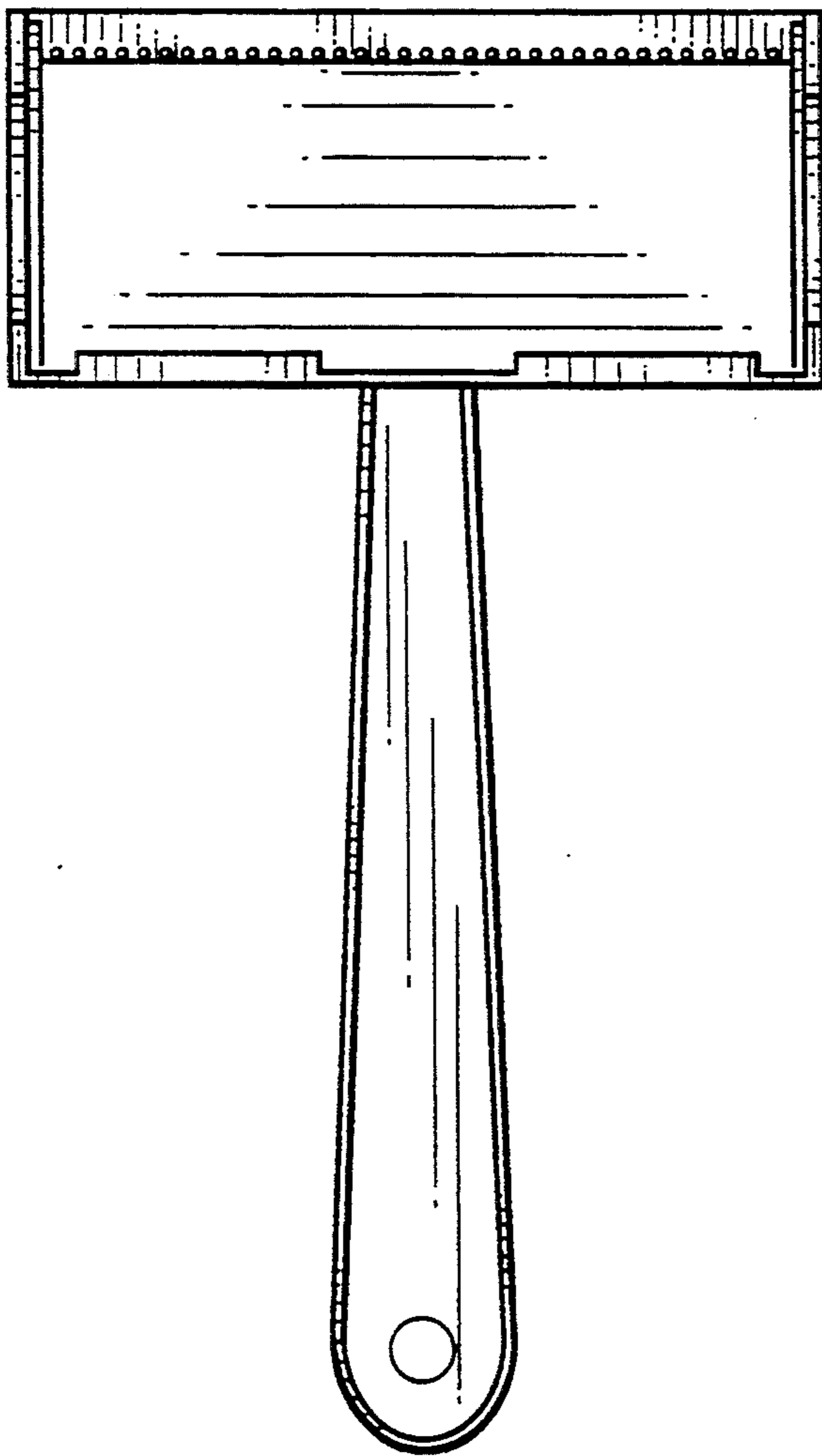


Fig. 2

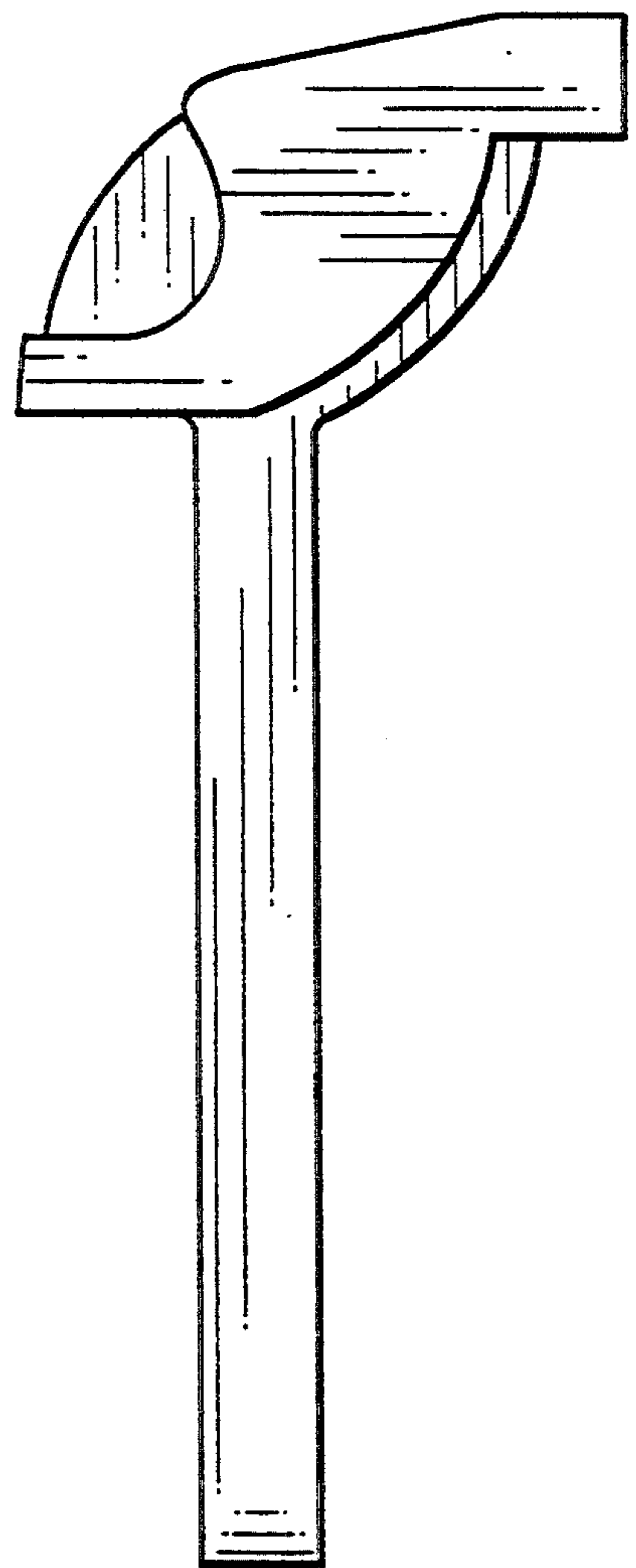


Fig. 3

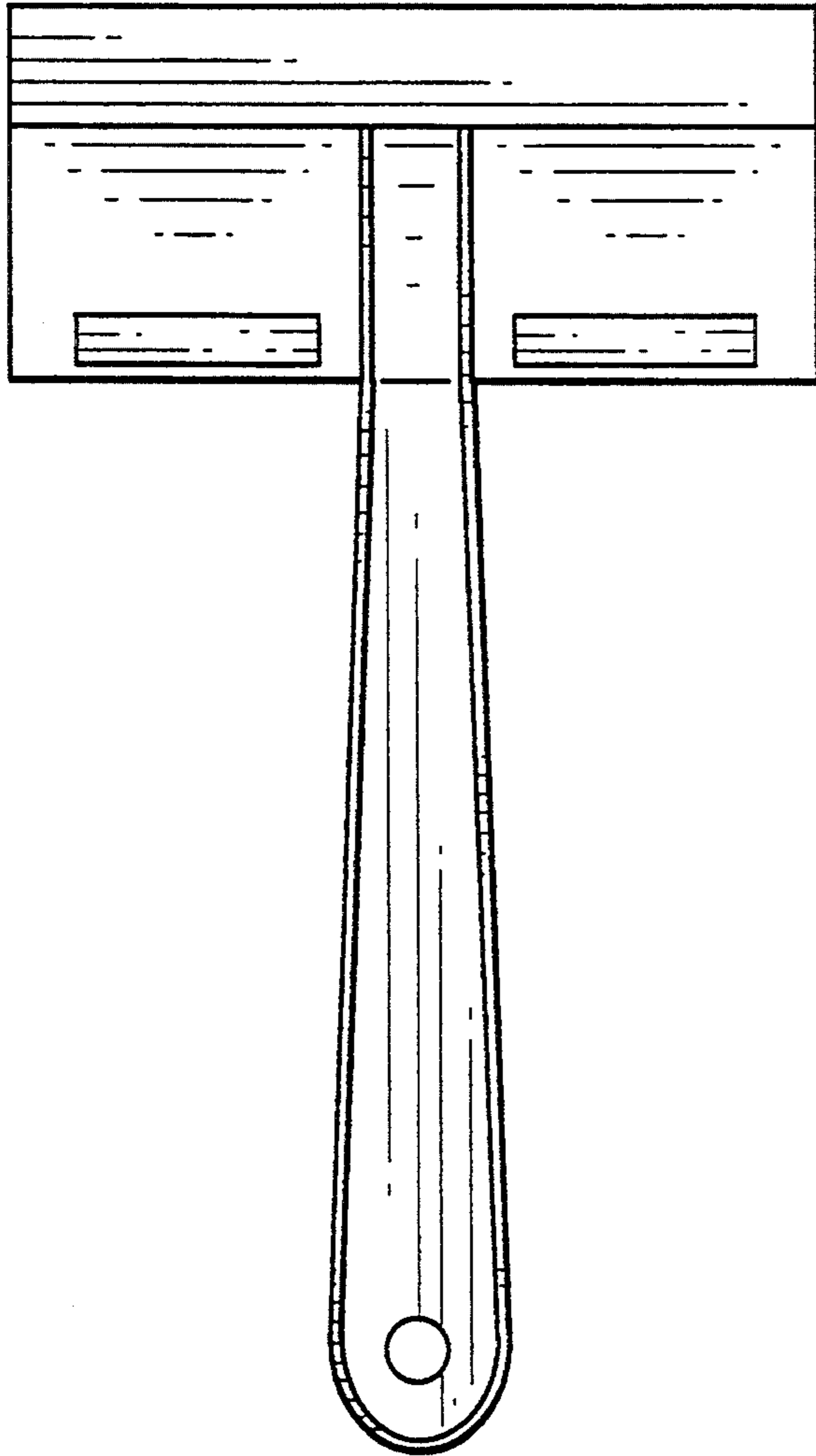


Fig. 5

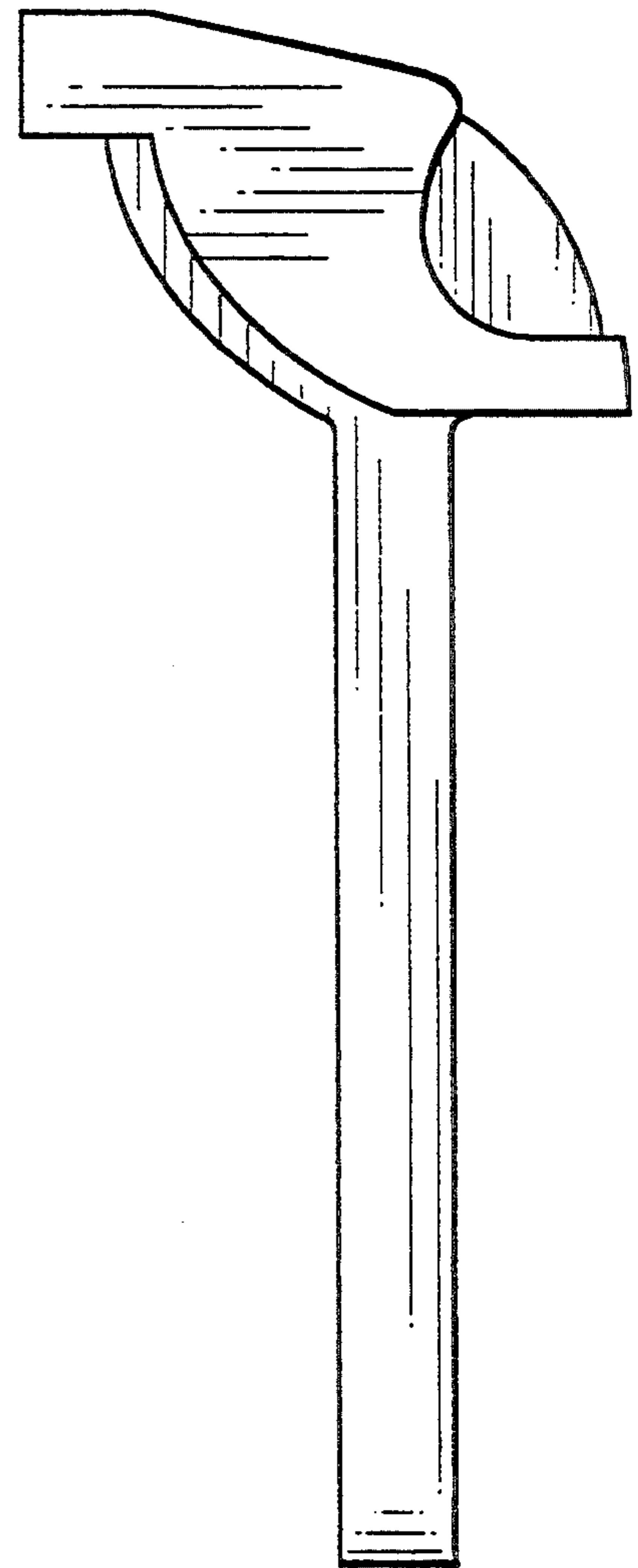


Fig. 6

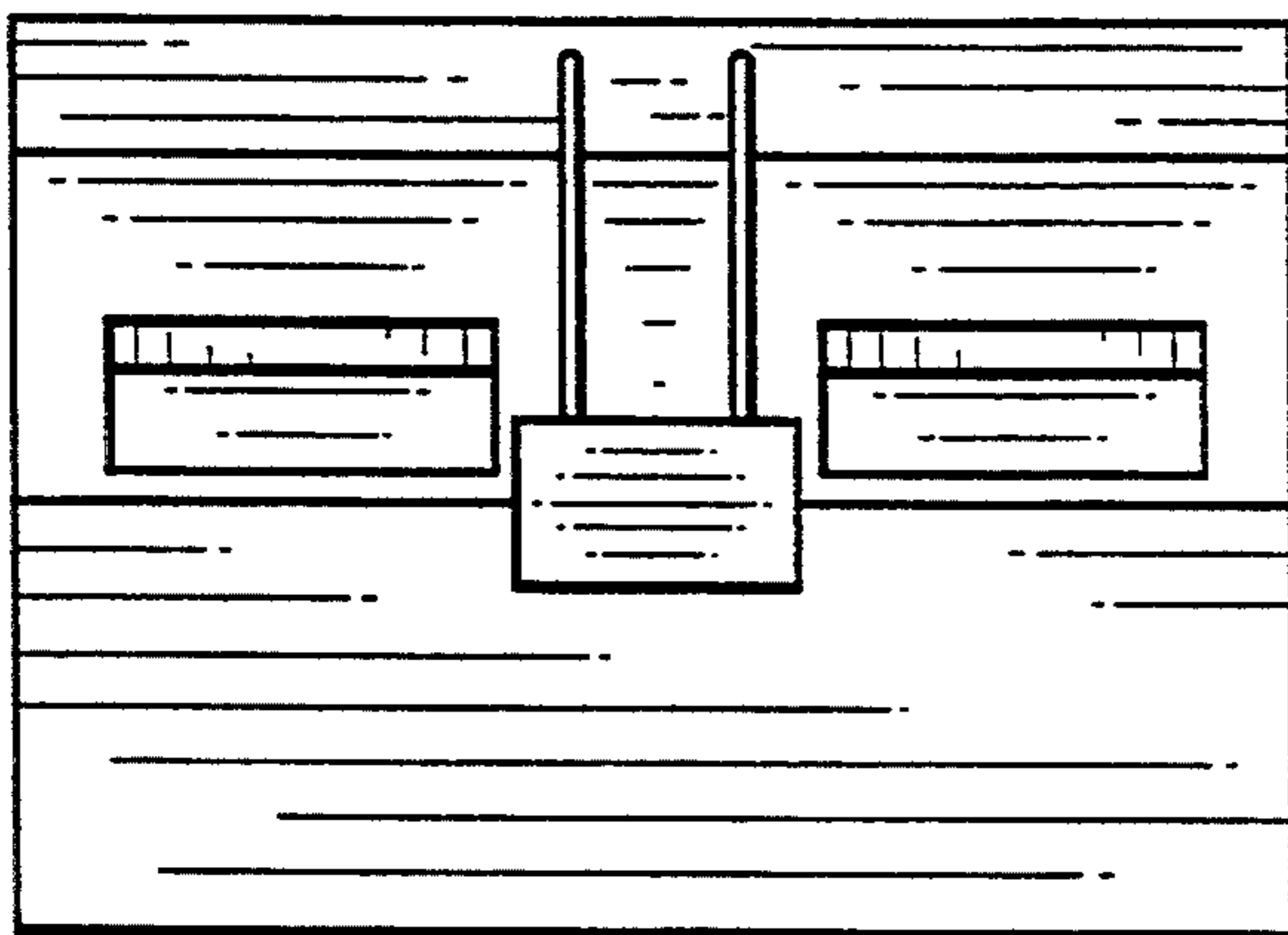


Fig. 7

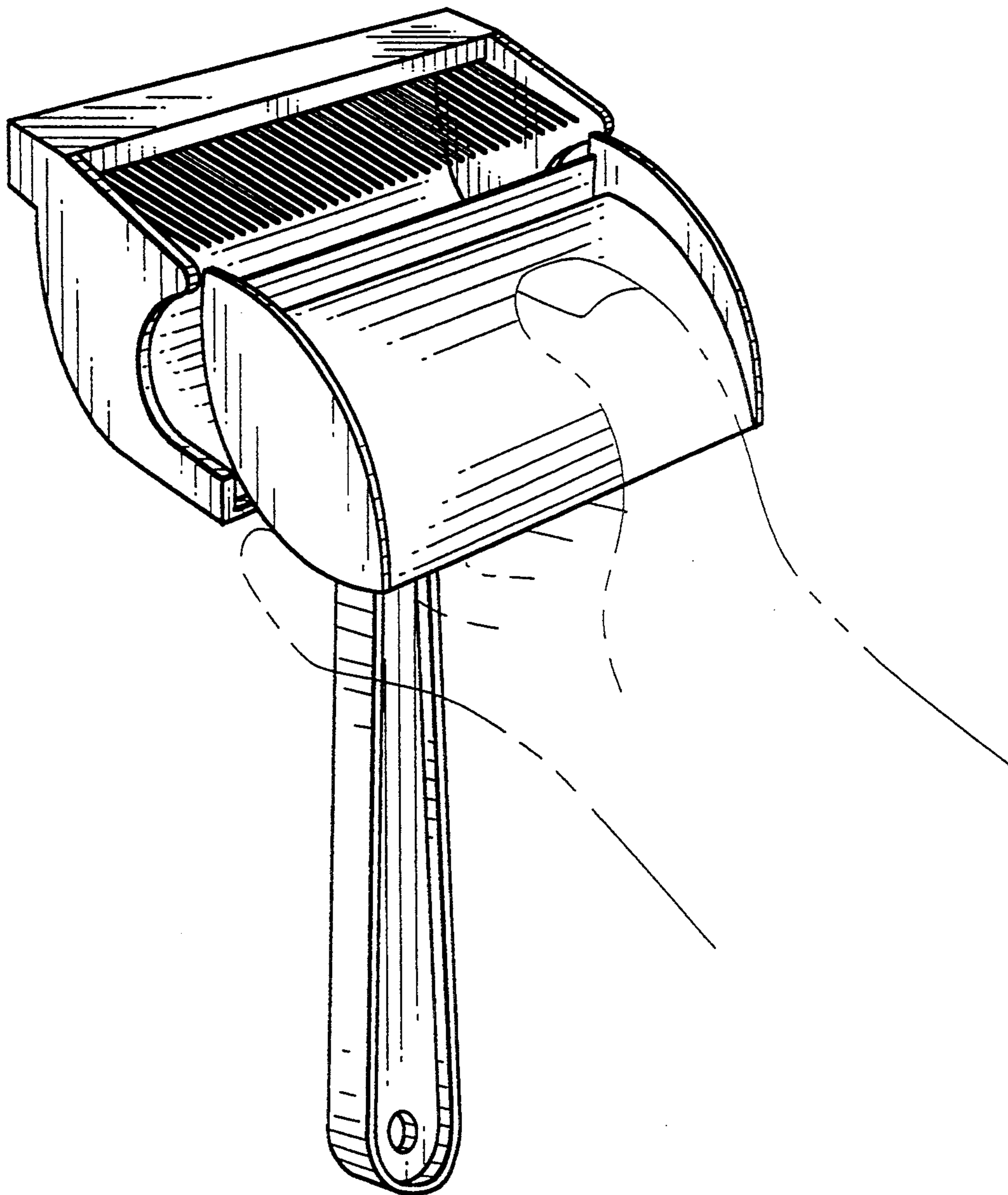


Fig. 8