



US00D358908S

United States Patent [19]

[11] Patent Number: **Des. 358,908**

Rawski

[45] Date of Patent: **** May 30, 1995**

[54] **REPLACEABLE CARTRIDGE FOR PET GROOMING TOOL**

FOREIGN PATENT DOCUMENTS

[76] Inventor: **Louis Rawski**, 410 Morningside St., North Long Beach, Calif. 90805

50068	9/1911	Austria	119/83
2661596	11/1991	France	132/219
954730	12/1956	Germany	132/219
337746	5/1959	Switzerland	119/86
3888	of 1896	United Kingdom	119/83

[**] Term: **14 Years**

Primary Examiner—Cathy Anne MacCormac
Attorney, Agent, or Firm—Gunn, Lee & Miller

[21] Appl. No.: **6,841**

[57] **CLAIM**

[22] Filed: **Apr. 15, 1993**

The ornamental design for a replaceable cartridge for pet grooming tool, as shown and described.

[52] U.S. Cl. **D30/158**; 30/30; 119/87; 132/219

DESCRIPTION

[58] Field of Search 30/30, 42.2; 119/86-87, 83, 156; 132/125, 147, 219; D28/45, 47-48, 52, 54, 46, 25, 30, 53; D30/158, 159

FIG. 1 is a front, left side, top perspective view showing my new design;

FIG. 2 is a front elevation view thereof;

FIG. 3 is a right side elevation view thereof;

FIG. 4 is a top plan view thereof;

FIG. 5 is a rear elevation view thereof;

FIG. 6 is a left side elevation view thereof;

FIG. 7 is a bottom plan view thereof;

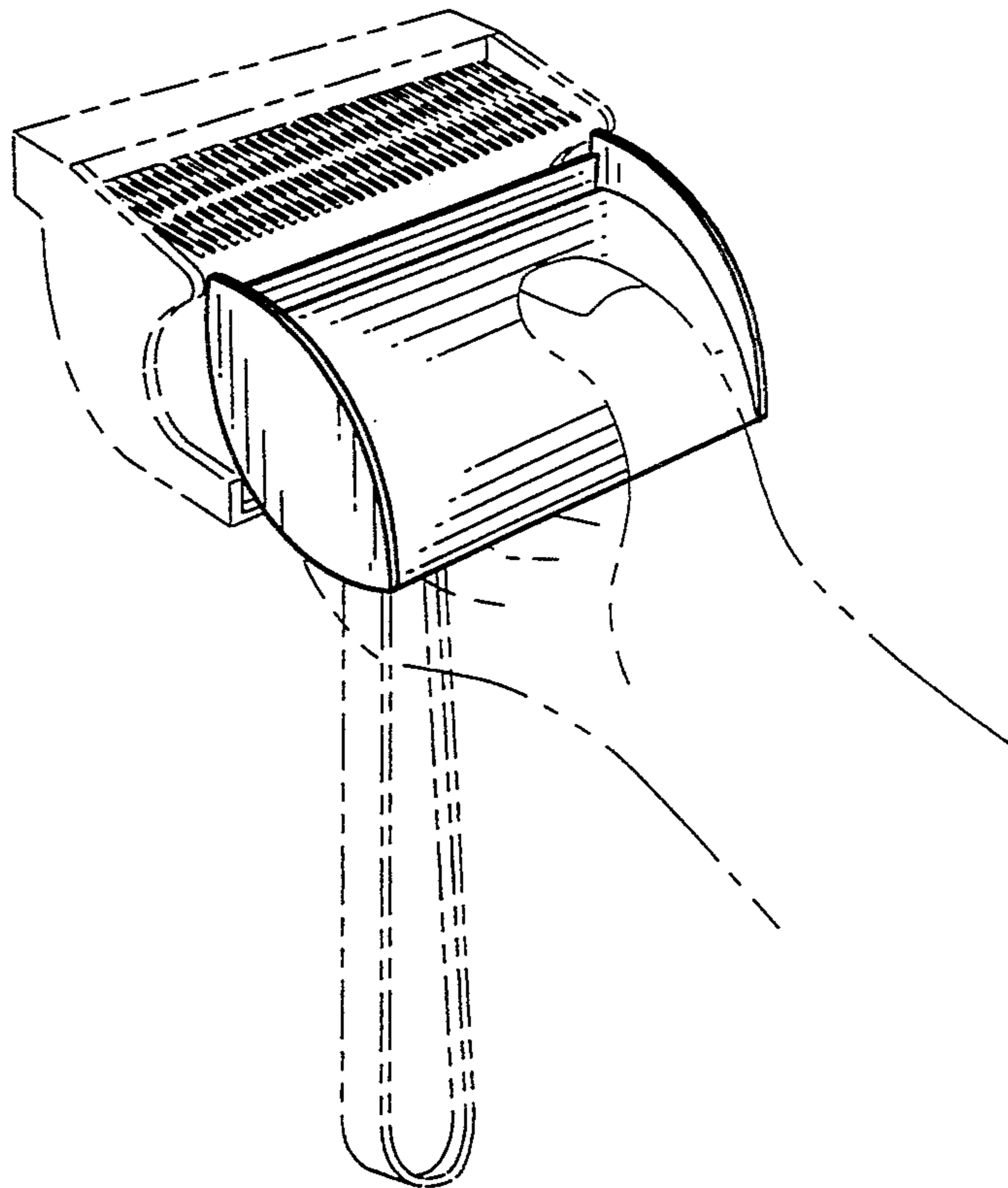
FIG. 8 is a perspective view thereof with the cartridge rotated counterclockwise approximately 45° and being inserted into the grooming tool. The broken lines in FIG. 8 are for purposes of illustration only and form no part of the claimed design and,

FIG. 9 is a perspective view thereof with the cartridge inserted into the grooming tool. The broken lines of FIG. 9 are for purposes of illustration only and form no part of the claimed design.

[56] **References Cited**

U.S. PATENT DOCUMENTS

D. 307,067	4/1990	Kuhl et al.	119/83
D. 327,821	7/1992	Desbiens	D30/159
D. 340,783	10/1993	McCambridge	D30/158
1,471,970	10/1923	McElroy	30/30
2,155,299	4/1939	Broyles	132/125
3,308,500	3/1967	Woodruff	.
3,977,420	8/1976	Yalof	132/219
4,044,724	8/1977	Merchill	119/83
4,936,259	6/1990	Owen et al.	119/83
5,188,132	2/1993	Barkus	132/219
5,267,528	12/1993	Muriceen, Sr.	119/83



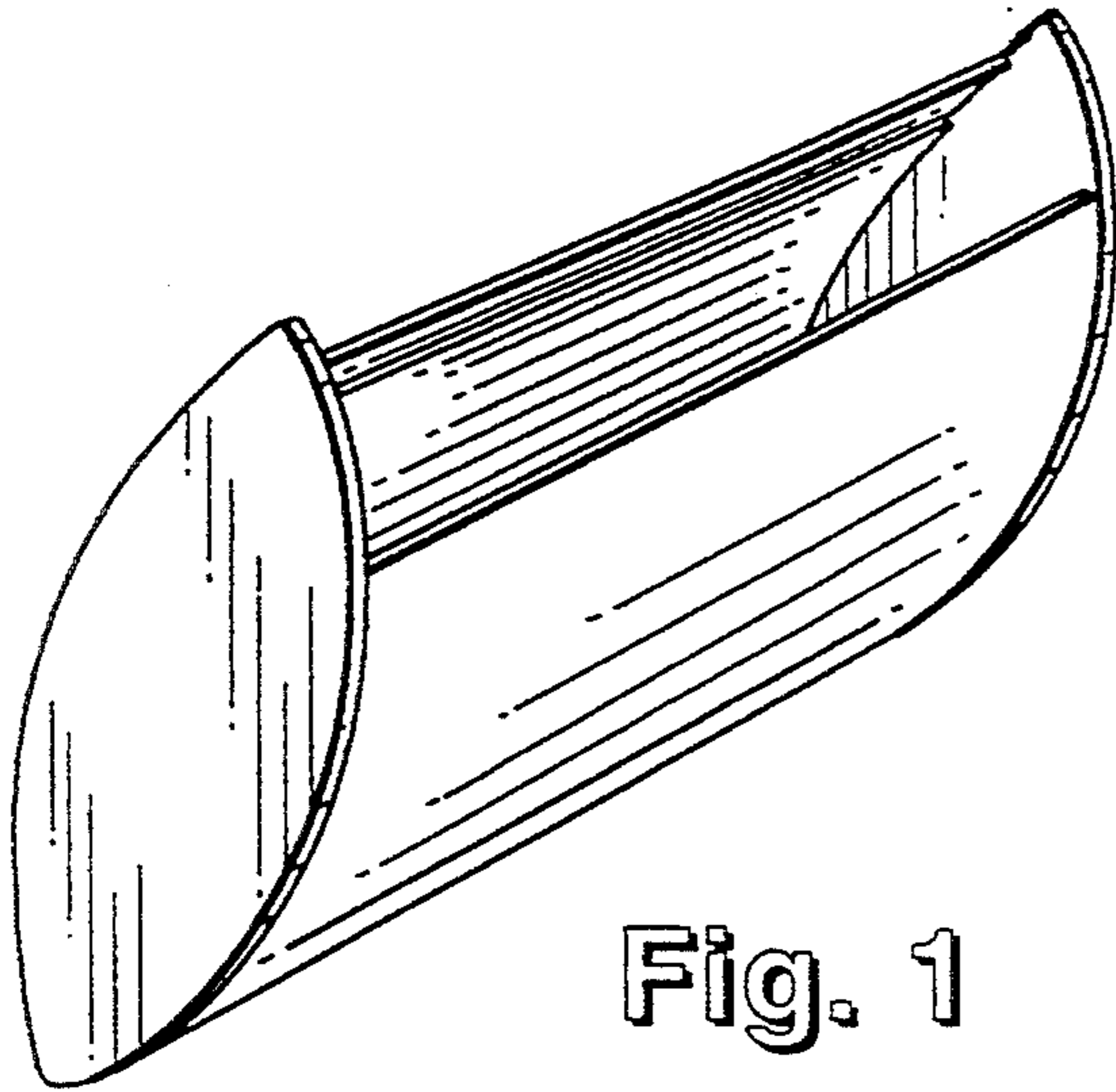


Fig. 1

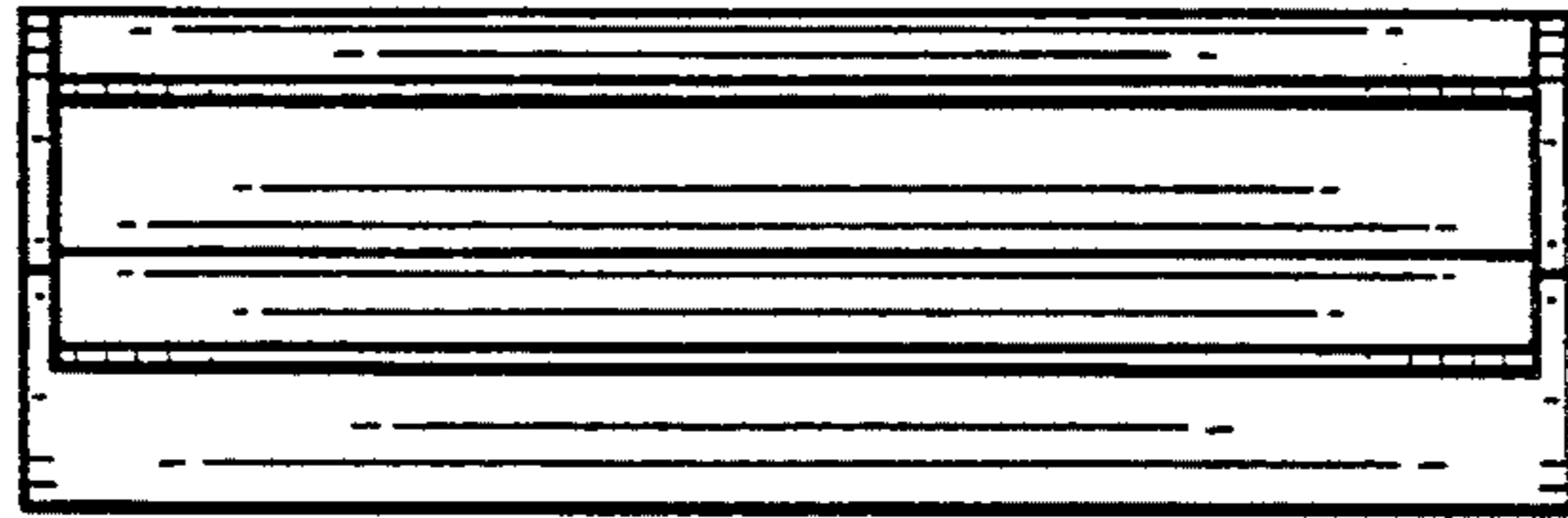


Fig. 3

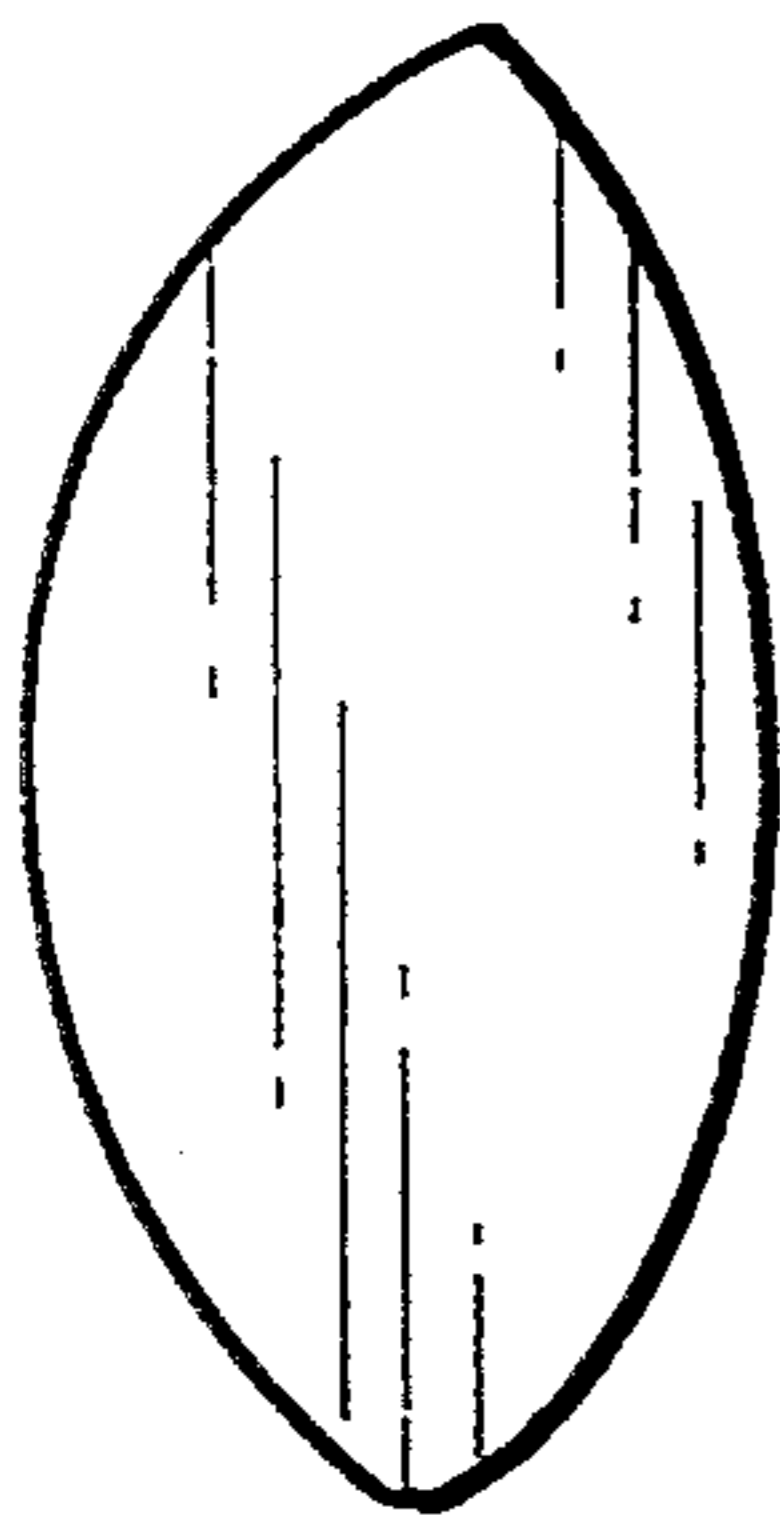


Fig. 6

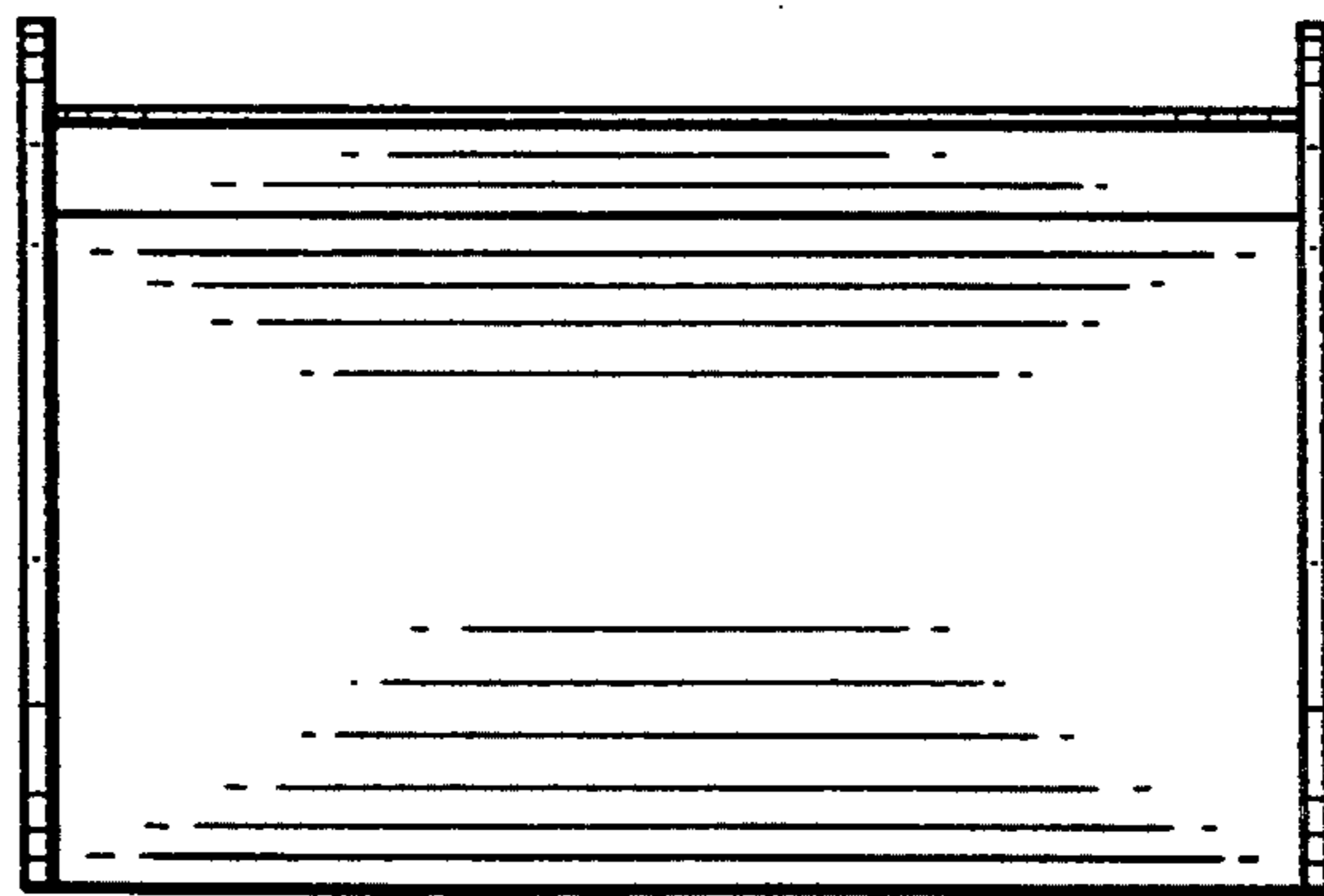


Fig. 2

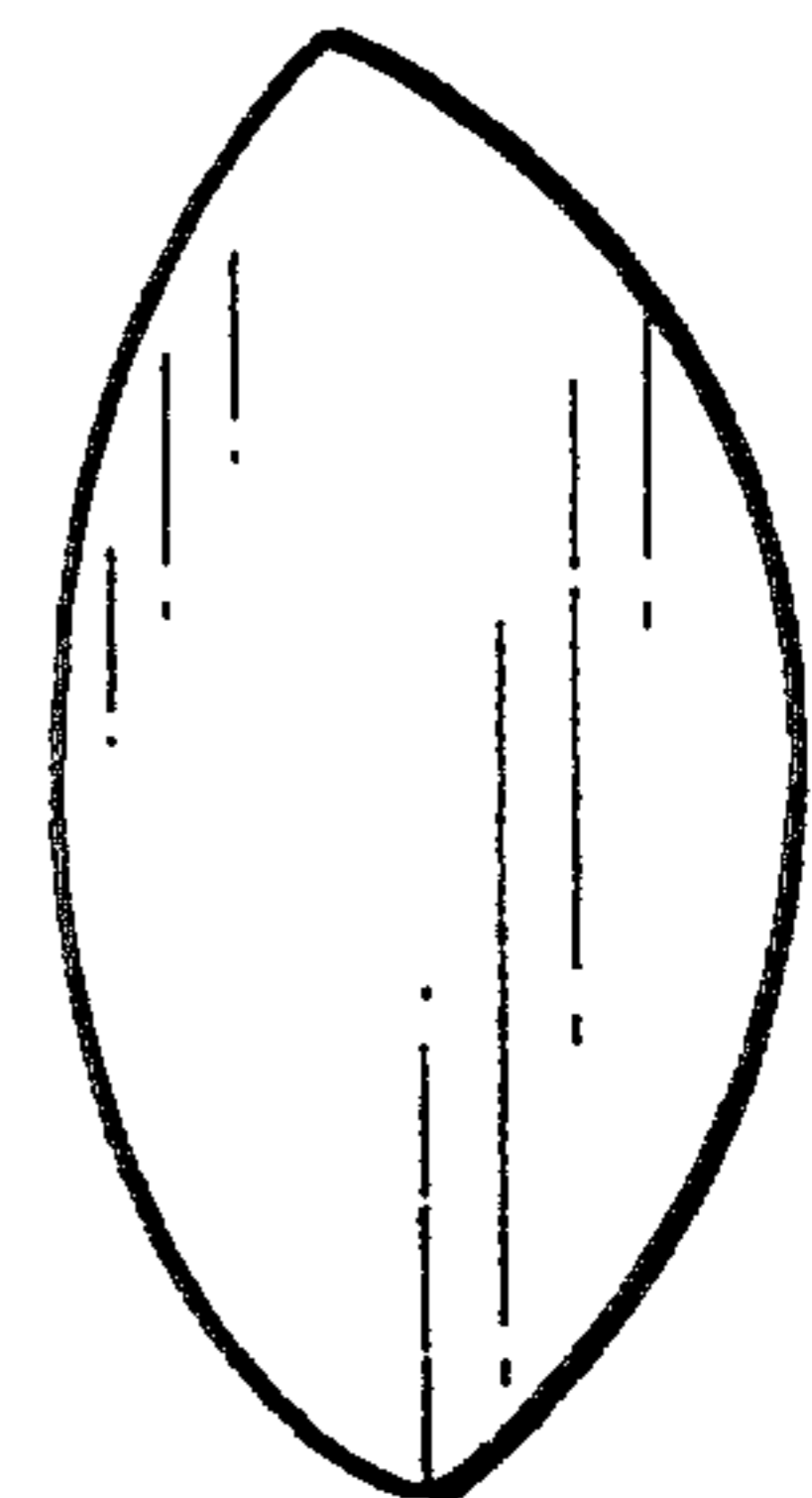


Fig. 4

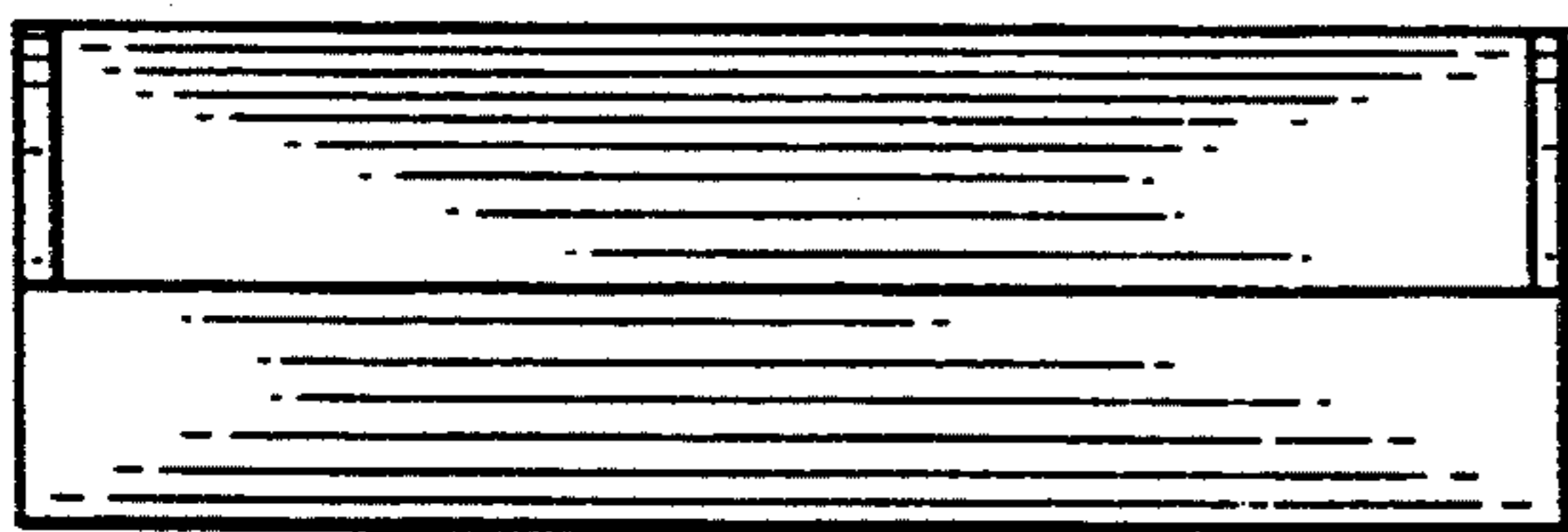


Fig. 7

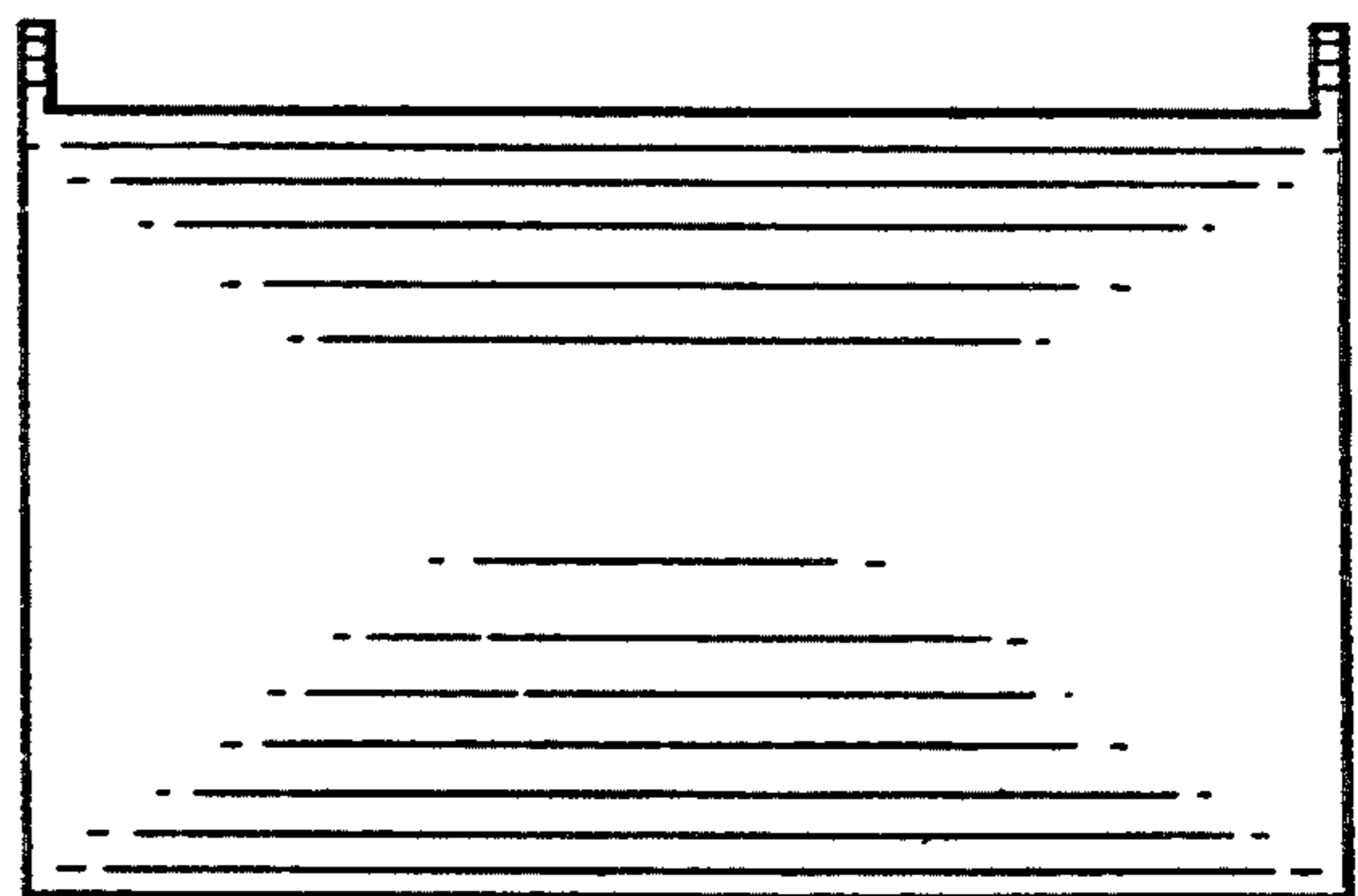


Fig. 5

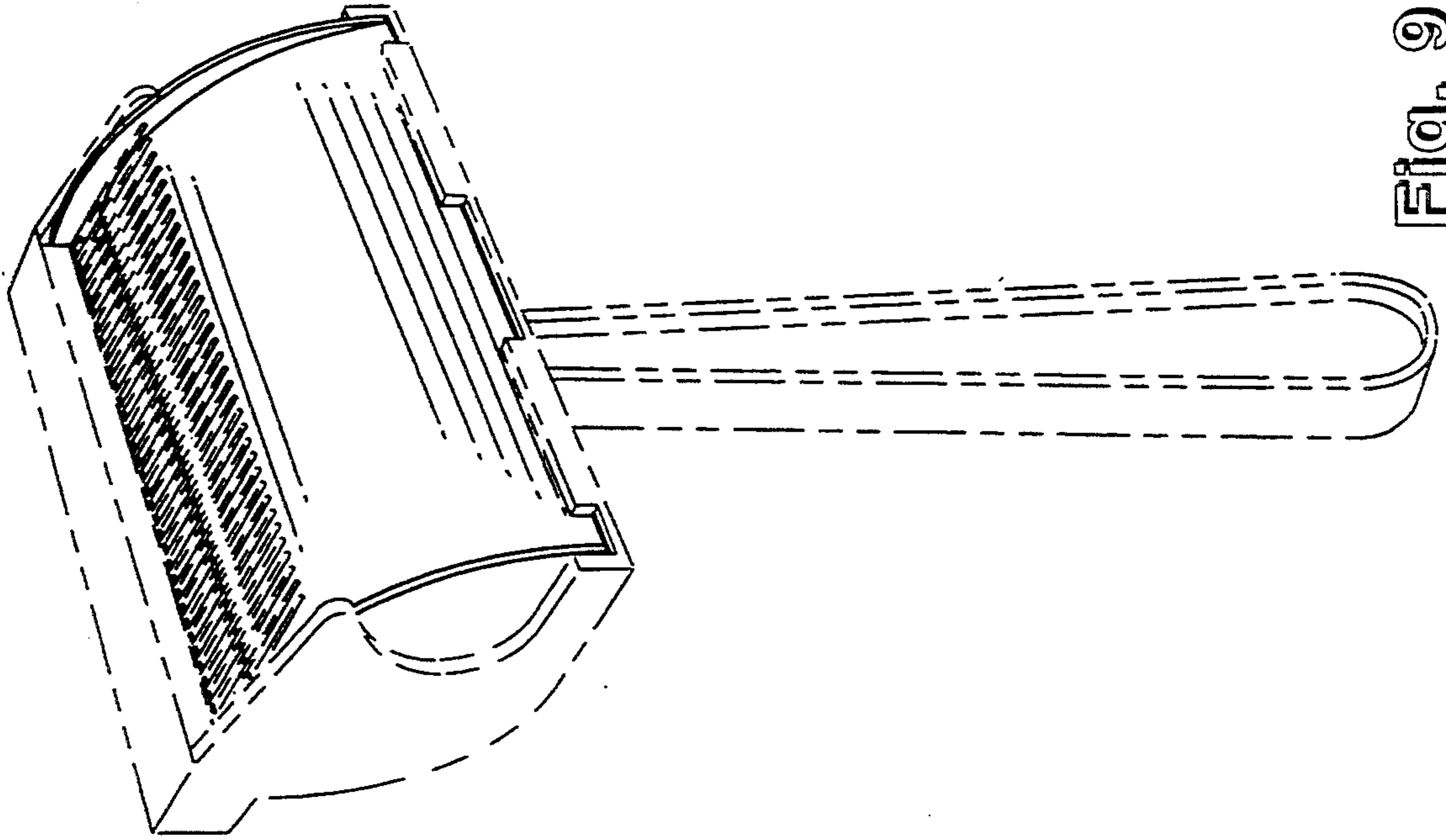


Fig. 9

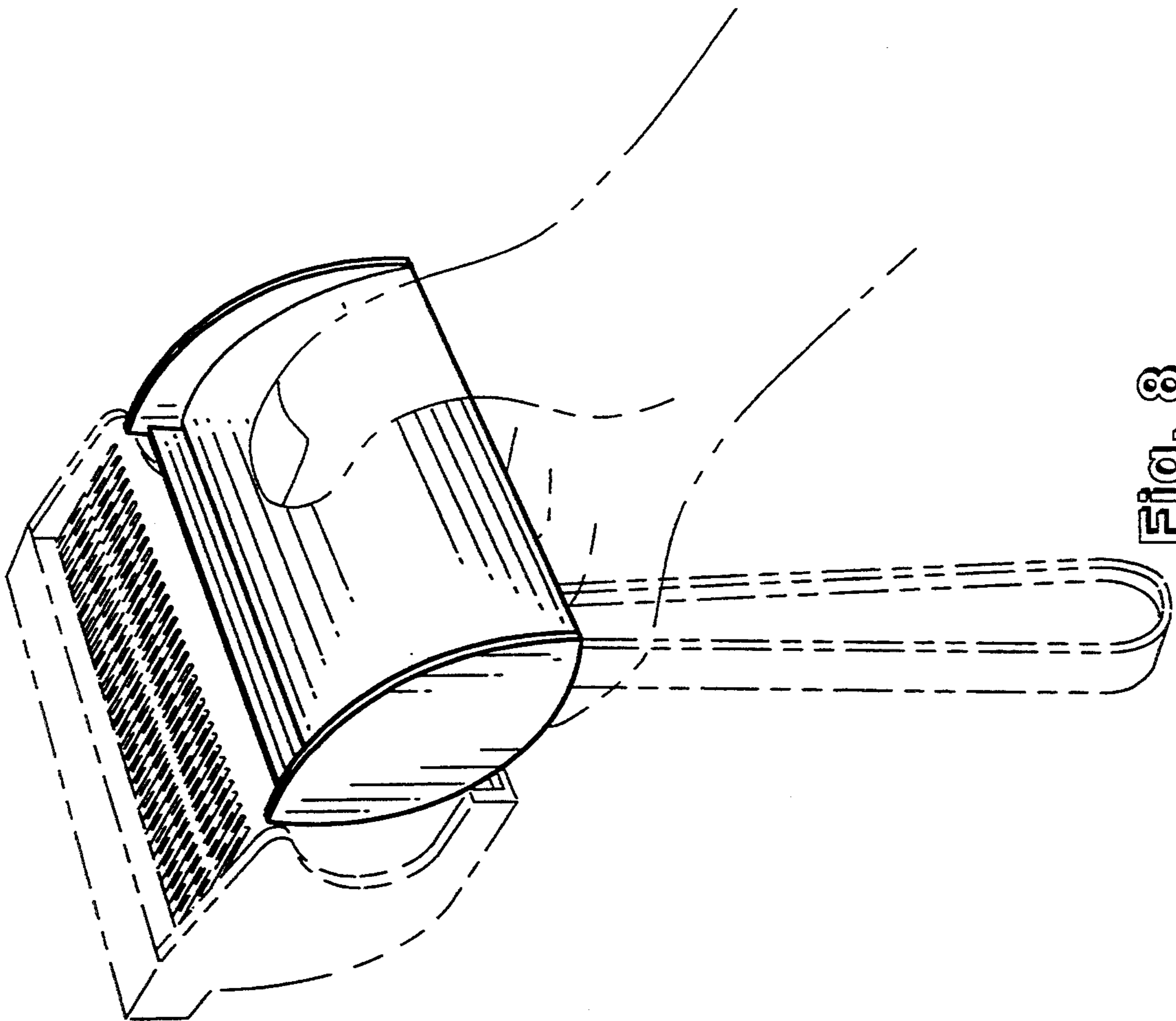


Fig. 8