



US00D358904S

United States Patent [19] Kelly

[11] Patent Number: **Des. 358,904**

[45] Date of Patent: **** May 30, 1995**

[54] **COLLAPSIBLE SHADE**

4,599,683 7/1983 Balkham et al. .

[76] Inventor: **Ralph G. Kelly**, 3349 Cahuenga Blvd.
West, Los Angeles, Calif. 90068

OTHER PUBLICATIONS

Hong Kong Interprise, vol. 10, Oct. 1980, p. 83, item
#B.R.995085 Oil & Hurricane Lamp Box.

[**] Term: **14 Years**

Primary Examiner—Susan T. Lucas
Assistant Examiner—Cynthia E. Ramiz

[21] Appl. No.: **15,173**

[57] CLAIM

[22] Filed: **Nov. 9, 1993**

[52] U.S. CL. **D26/128; D26/50**

The ornamental design for a collapsible shade, as shown
and described.

[58] Field of Search **D26/113, 118, 128, 129,
D26/130, 48, 50, 40, 41; 362/351, 352, 356, 357,
353, 355, 186, 182, 179, 159, 162; 431/298**

DESCRIPTION

[56] References Cited

U.S. PATENT DOCUMENTS

D. 59,056	9/1921	Benjamin	D26/131
D. 107,496	12/1937	Baker	D26/131
D. 177,293	3/1956	Webster	D26/41
3,519,812	4/1970	Bradley et al. .	
3,787,676	1/1974	Kovach .	
4,393,439	7/1983	James, Jr. .	
4,535,390	8/1983	Curtis et al. .	

FIG. 1 is a front elevational view of the collapsible shade showing a use of my new design;
FIG. 2 is a rear elevational view thereof;
FIG. 3 is a left side elevational view thereof;
FIG. 4 is a right side elevational view thereof;
FIG. 5 is a top plan view thereof; and,
FIG. 6 is a bottom plan view thereof.

The broken line showing of a lamp in FIG. 1 is for illustrative purposes only and forms no part of the claimed design.

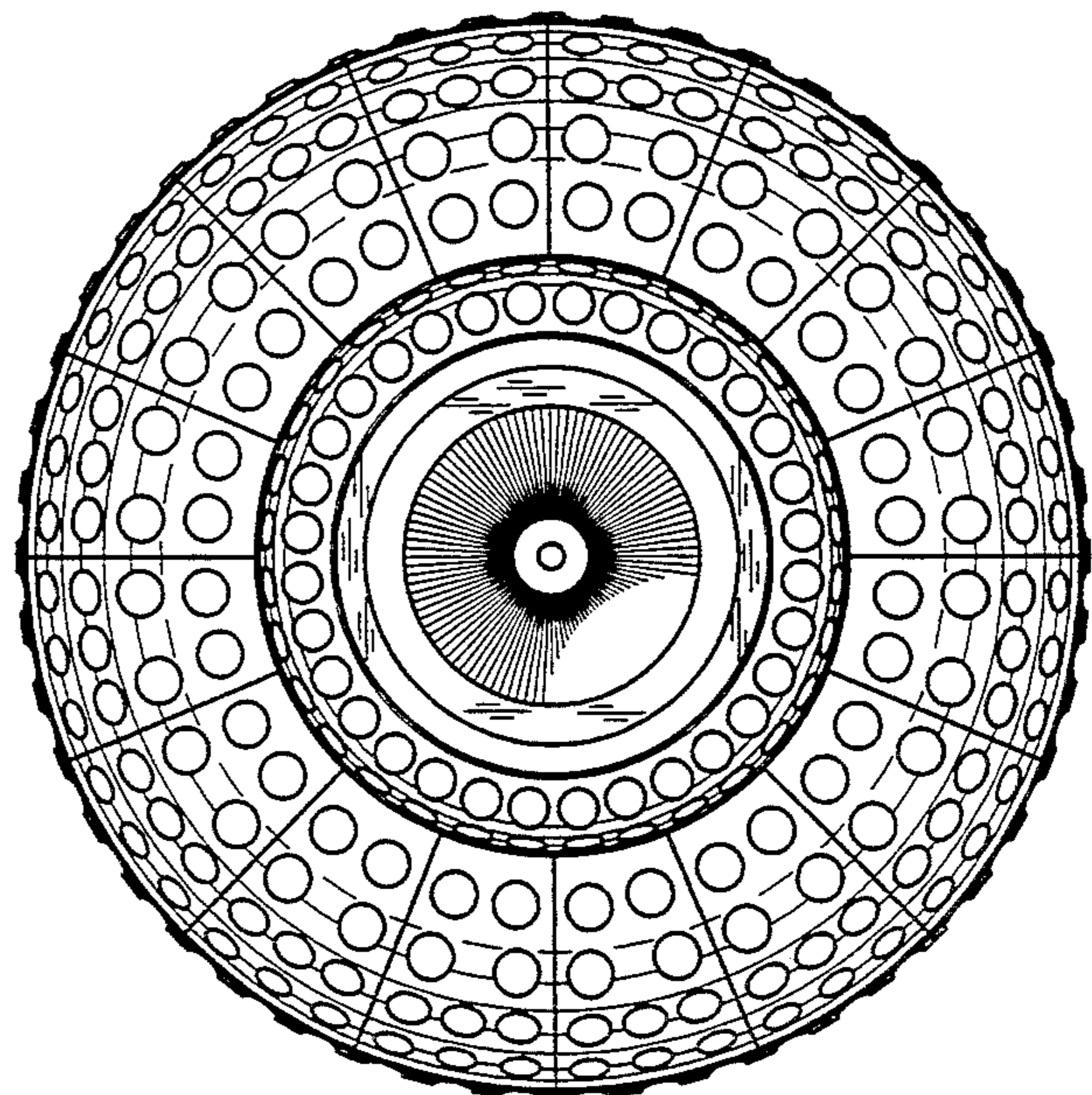
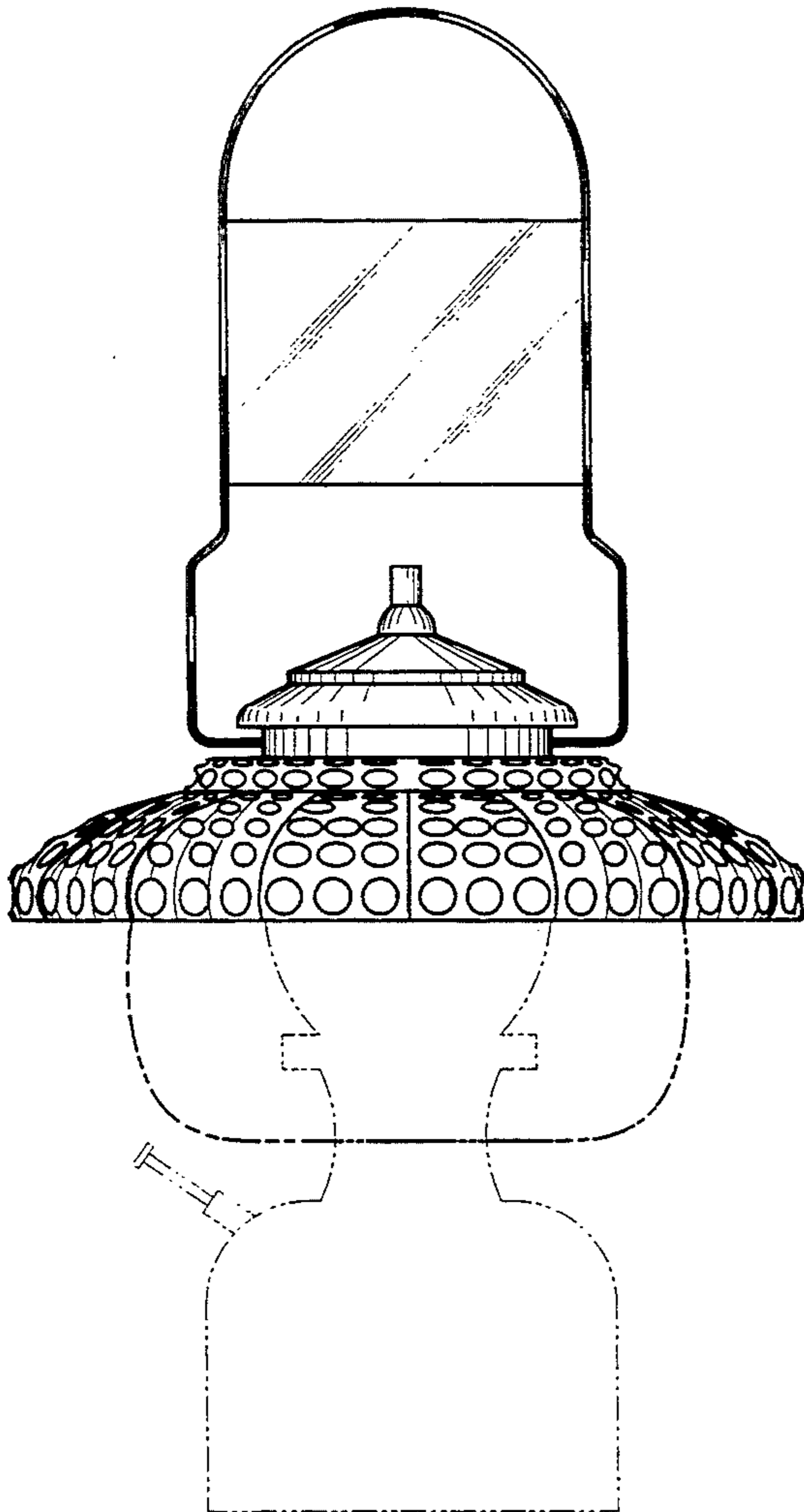


FIG. 1

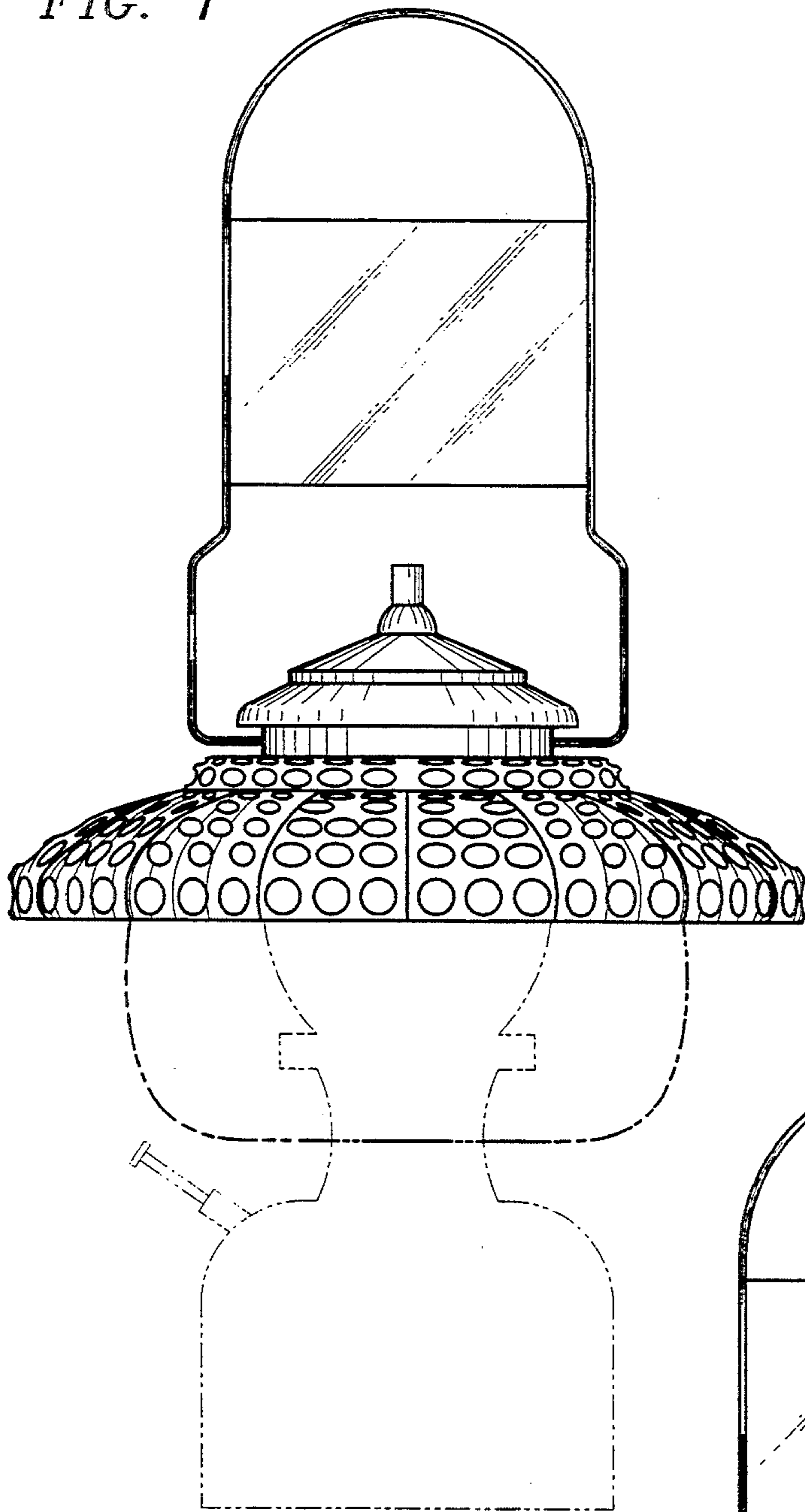


FIG. 2

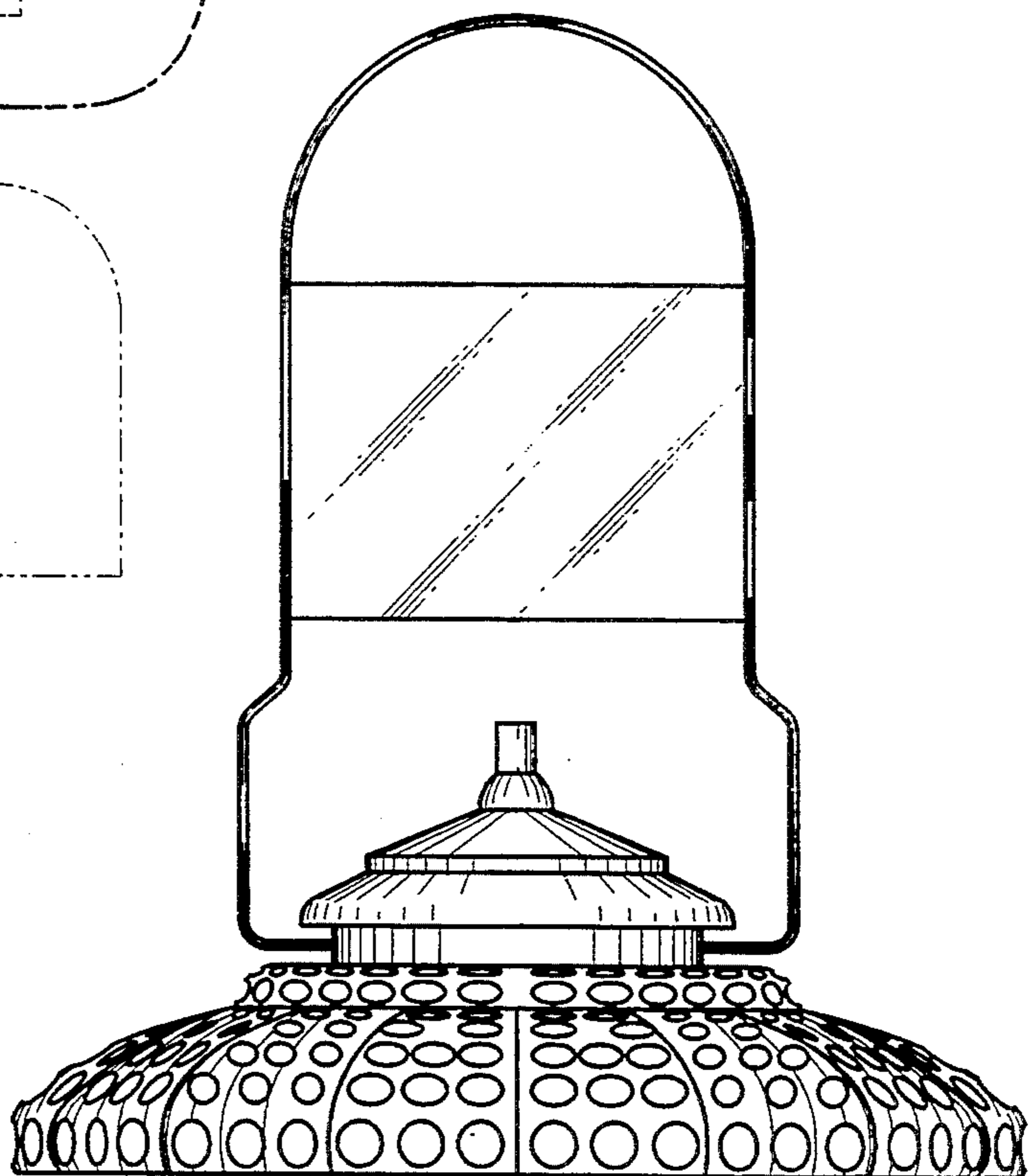


FIG. 3

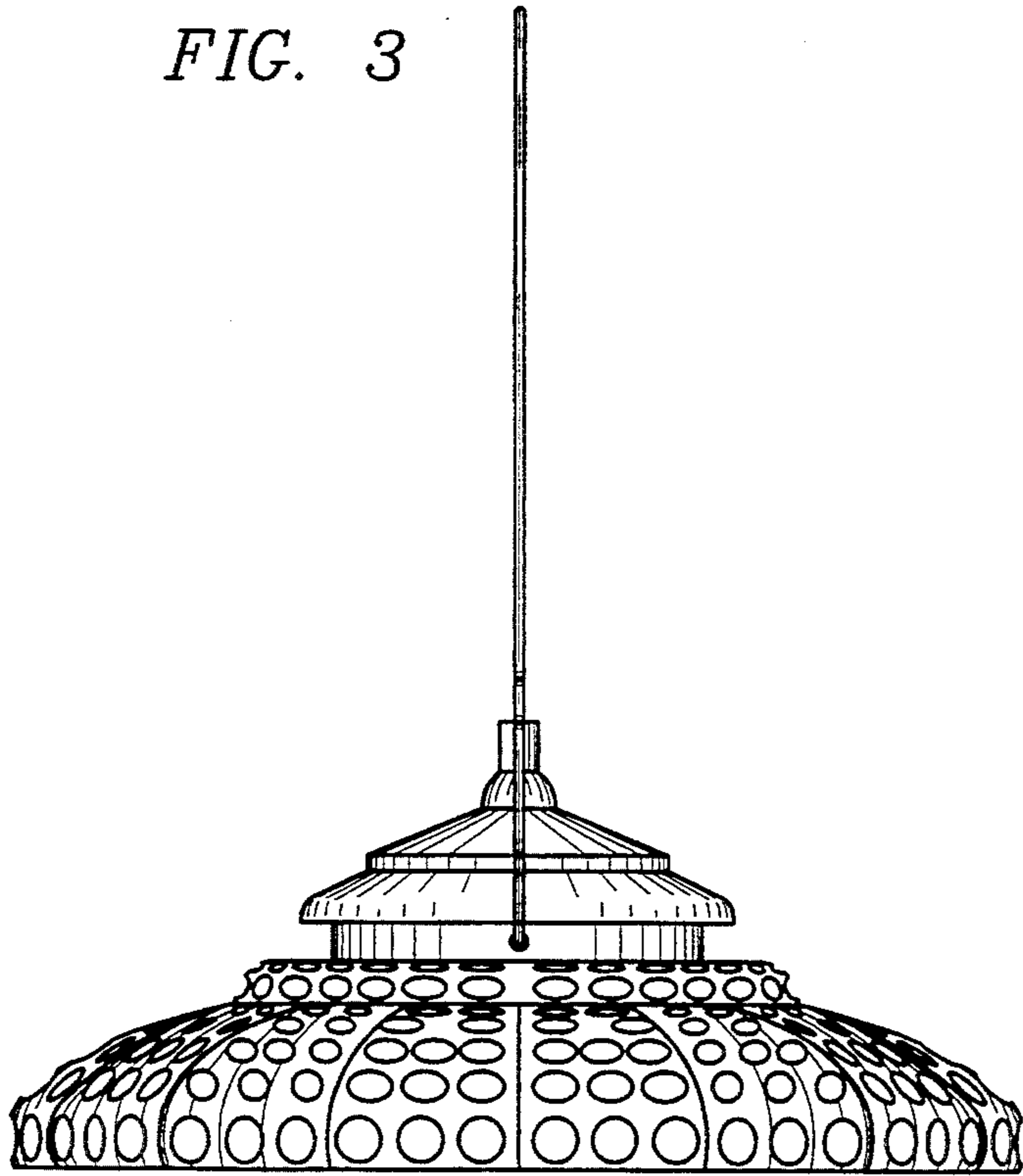


FIG. 4

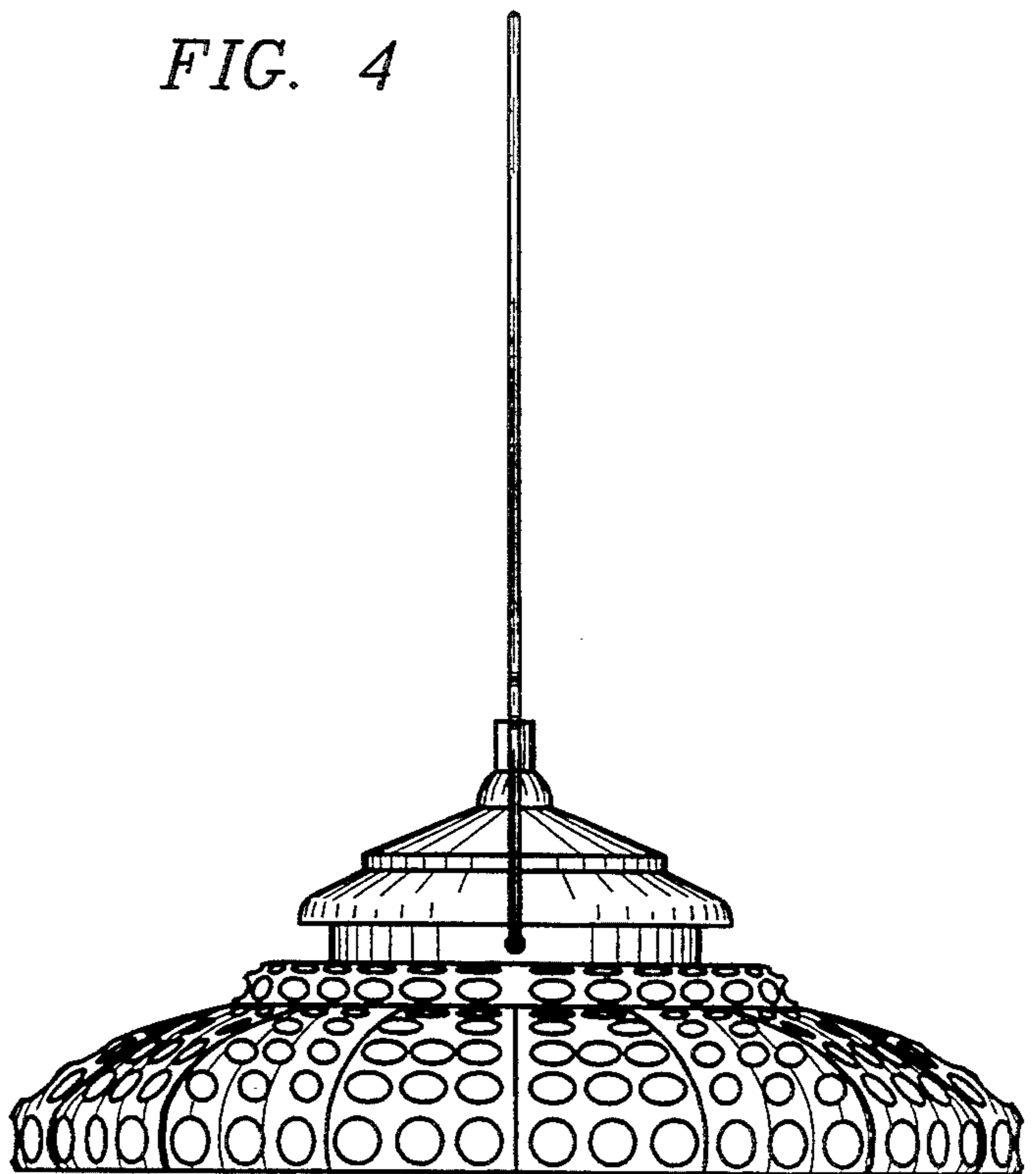


FIG. 5

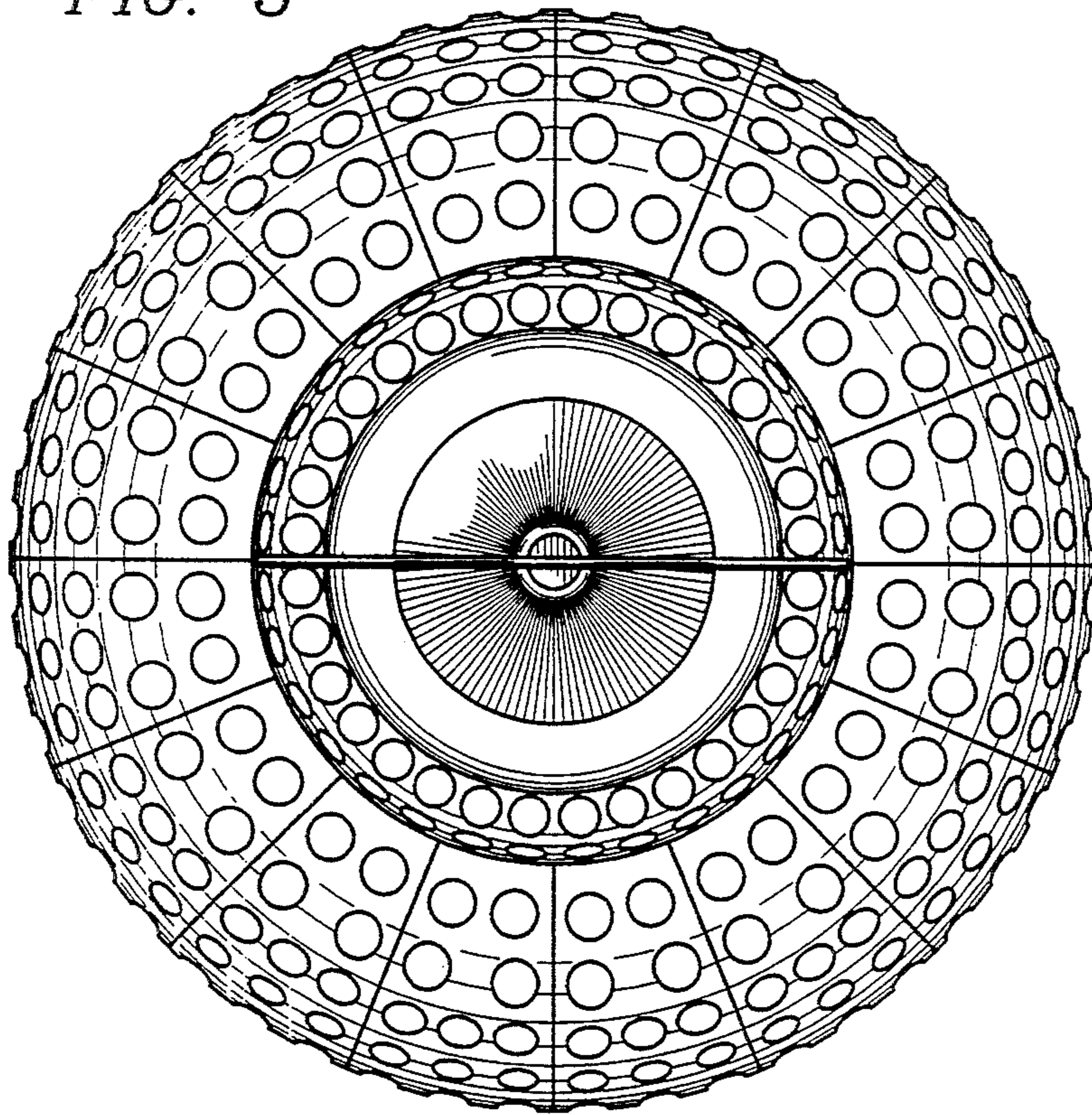


FIG. 6

