



US00D358899S

United States Patent [19]

[11] Patent Number: **Des. 358,899**

Crouch

[45] Date of Patent: **** May 30, 1995**

[54] **NEON TUBE ASSEMBLY WITH A TRANSPARENT HOUSING**

[76] Inventor: **James C. Crouch**, 10421 E. 600 S-57, Huntertown, Ind. 46748-9801

[**] Term: **14 Years**

[21] Appl. No.: **7,835**

[22] Filed: **Apr. 30, 1993**

[52] U.S. Cl. **D26/75**

[58] Field of Search **D26/72, 75-78, D26/80-92, 3; 362/147, 404, 432, 217-224; 313/567**

4,515,393	5/1985	Sauter	280/756
4,581,687	4/1986	Nakanishi	362/226
4,607,317	8/1986	Lin	362/249
4,665,470	5/1987	George, Jr.	362/236
5,028,206	7/1991	Kendregan	416/5

FOREIGN PATENT DOCUMENTS

1171096	9/1958	France	D26/L416 75
0029341	2/1984	Japan	313/567

Primary Examiner—Susan J. Lucas
Attorney, Agent, or Firm—Baker & Daniels

[57] CLAIM

The ornamental design for a neon tube assembly with a transparent housing, as shown and described.

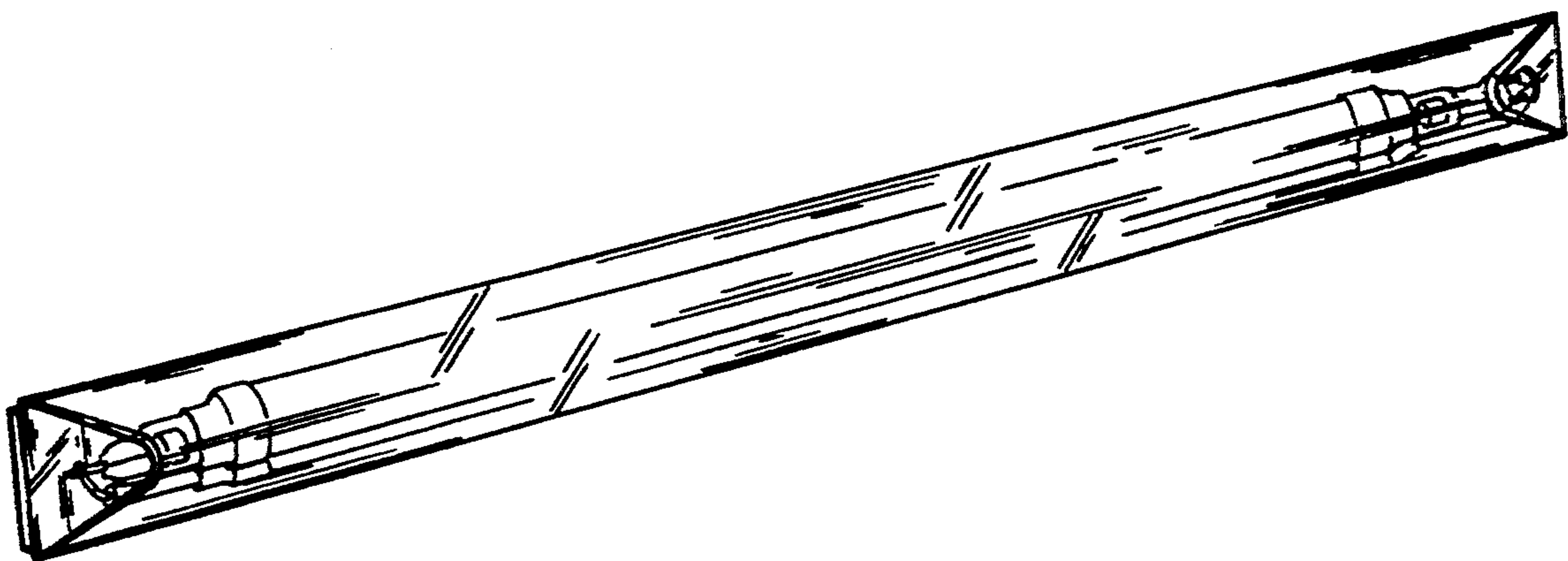
[56] References Cited

U.S. PATENT DOCUMENTS

2,149,635	3/1939	Shepard et al.	D26/89 X
2,597,060	5/1952	Boutelle et al.	362/221
2,675,534	4/1954	Bryant	340/97
4,246,629	1/1981	Marrero	362/222 X
4,376,966	3/1983	Tieszen	362/223 X
4,413,311	11/1983	Orenstein	362/219
4,425,603	1/1984	Courson	362/222
4,439,818	3/1984	Scheib	362/250
4,477,863	10/1984	Walz	362/223 X

DESCRIPTION

FIG. 1 is a perspective view of a neon tube assembly with a transparent housing showing my new design; FIG. 2 is a top plan view thereof, the bottom being plain and unornamented; FIG. 3 is a side elevational view thereof; FIG. 4 is an elevational view of the other side thereof; FIG. 5 is an end elevational view thereof; and, FIG. 6 is an elevational view of the other end thereof.



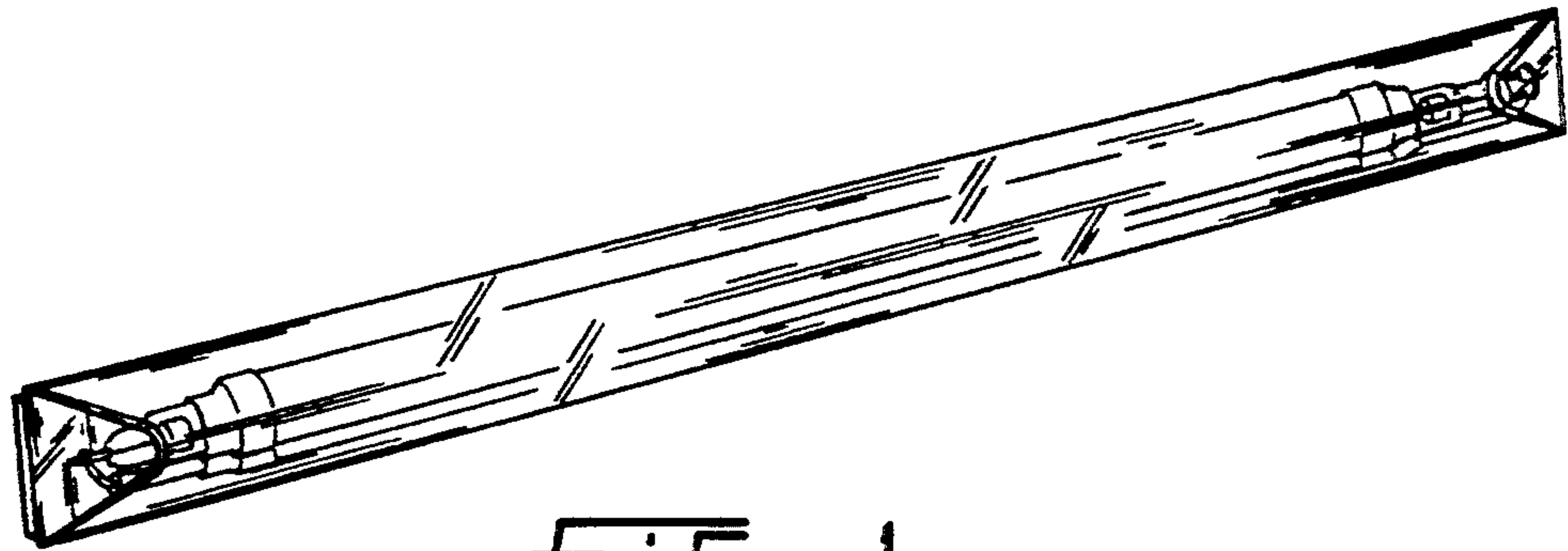


FIG. 1

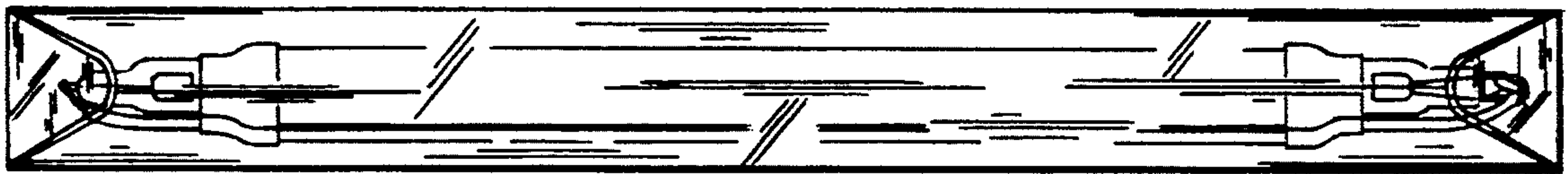


FIG. 2

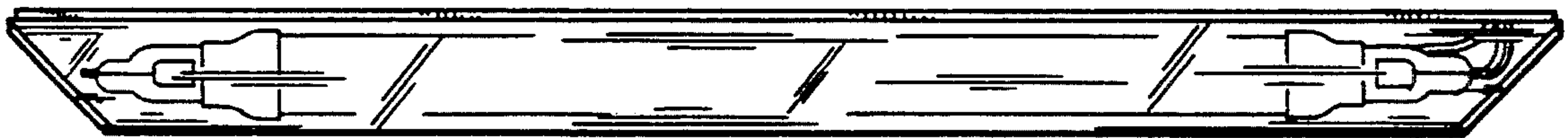


FIG. 3

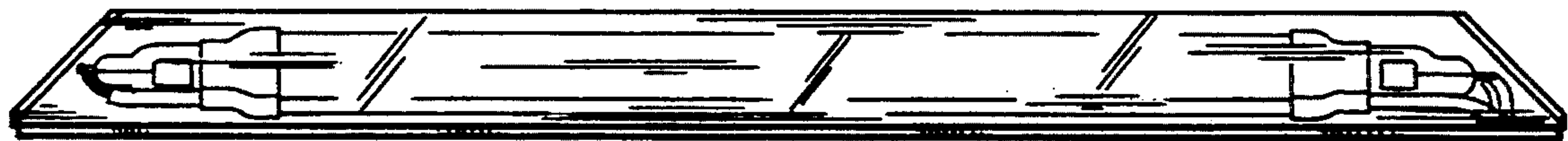


FIG. 4



FIG. 5



FIG. 6