



US00D358898S

United States Patent [19]

Compton

[11] Patent Number: **Des. 358,898**

[45] Date of Patent: **** May 30, 1995**

[54] **EXTERIOR LUMINAIRE**

[75] Inventor: **Wayne W. Compton, Chino Hills, Calif.**

[73] Assignee: **Kim Lighting, Inc., Industry, Calif.**

[**] Term: **14 Years**

[21] Appl. No.: **813,298**

[22] Filed: **Dec. 18, 1991**

[52] U.S. Cl. **D26/67**

[58] Field of Search **D26/67-71;**
362/431, 153.1, 362, 363, 367

[56] **References Cited**

U.S. PATENT DOCUMENTS

- D. 290,409 6/1987 Gendron et al. D26/67
- D. 301,175 5/1989 Benjamin D26/67

OTHER PUBLICATIONS

Custom Lighting, Inc. Ad. p. 1, Exterior Luminaire CL-Moderna-RD11 (gr. 2900 Exterior Lamp Box).

Primary Examiner—Susan J. Lucas
Attorney, Agent, or Firm—Lyon & Lyon

[57] **CLAIM**

The ornamental design for an exterior luminaire, as shown.

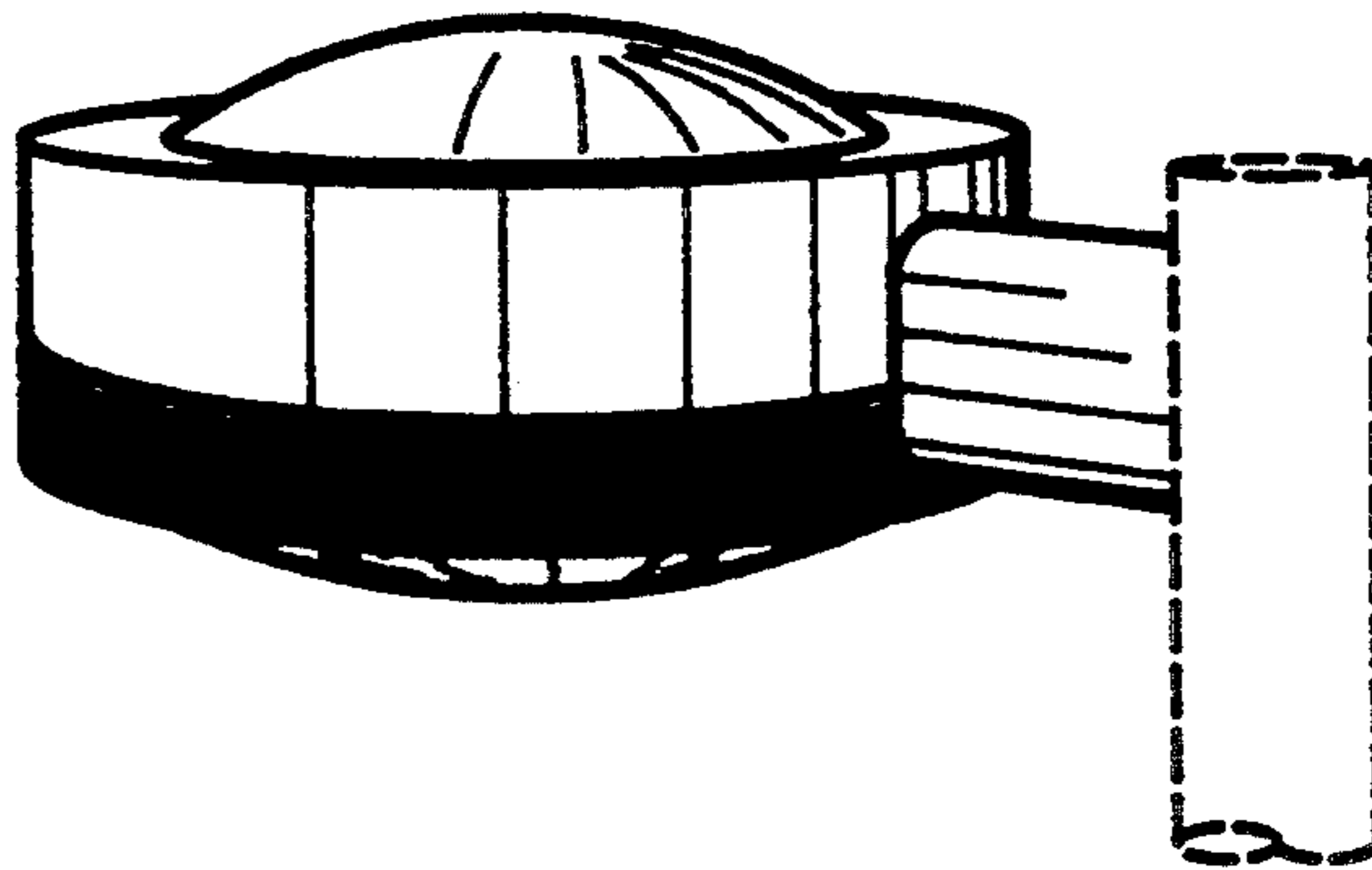
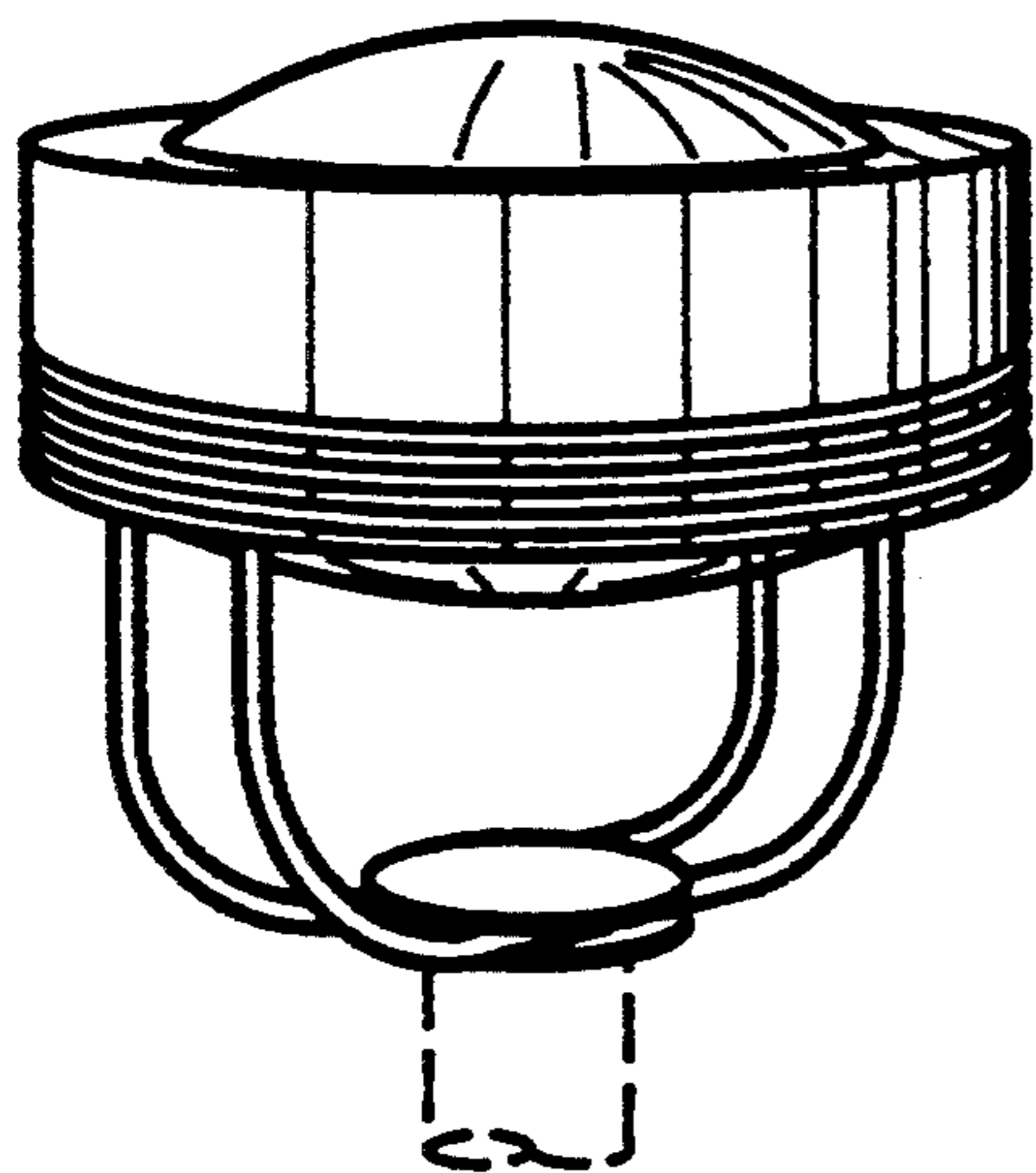
DESCRIPTION

FIGS. 1-4 show a first embodiment (e.g. 17 inch) of an exterior luminaire of the present invention adapted to be mounted above a post, wherein FIGS. 1-4 respectively are top, side, front and bottom views thereof;

FIGS. 5-9 are views of a second embodiment which is larger than the first (e.g., 25 inch diameter rather than 17 inch diameter), wherein FIGS. 5-9 are respective top, side, front, bottom and perspective views thereof; FIGS. 10-13 are views of a further and larger embodiment (e.g., 29 inch diameter), wherein these FIGS. 10-13 are respectively top, side, front and bottom views;

FIGS. 14-17 are views of a side arm mounted luminaire of the present invention, wherein these FIGS. 14-17 respectively are top, side, back and bottom views;

FIGS. 18-22 are views of a larger size arm mounted embodiment wherein these FIGS. 18-22 respectively are top, side, back bottom and perspective view; and, FIGS. 23-26 show a still larger side arm mounted embodiment wherein these FIGS. 23-26 respectively are top, side, back and bottom views.



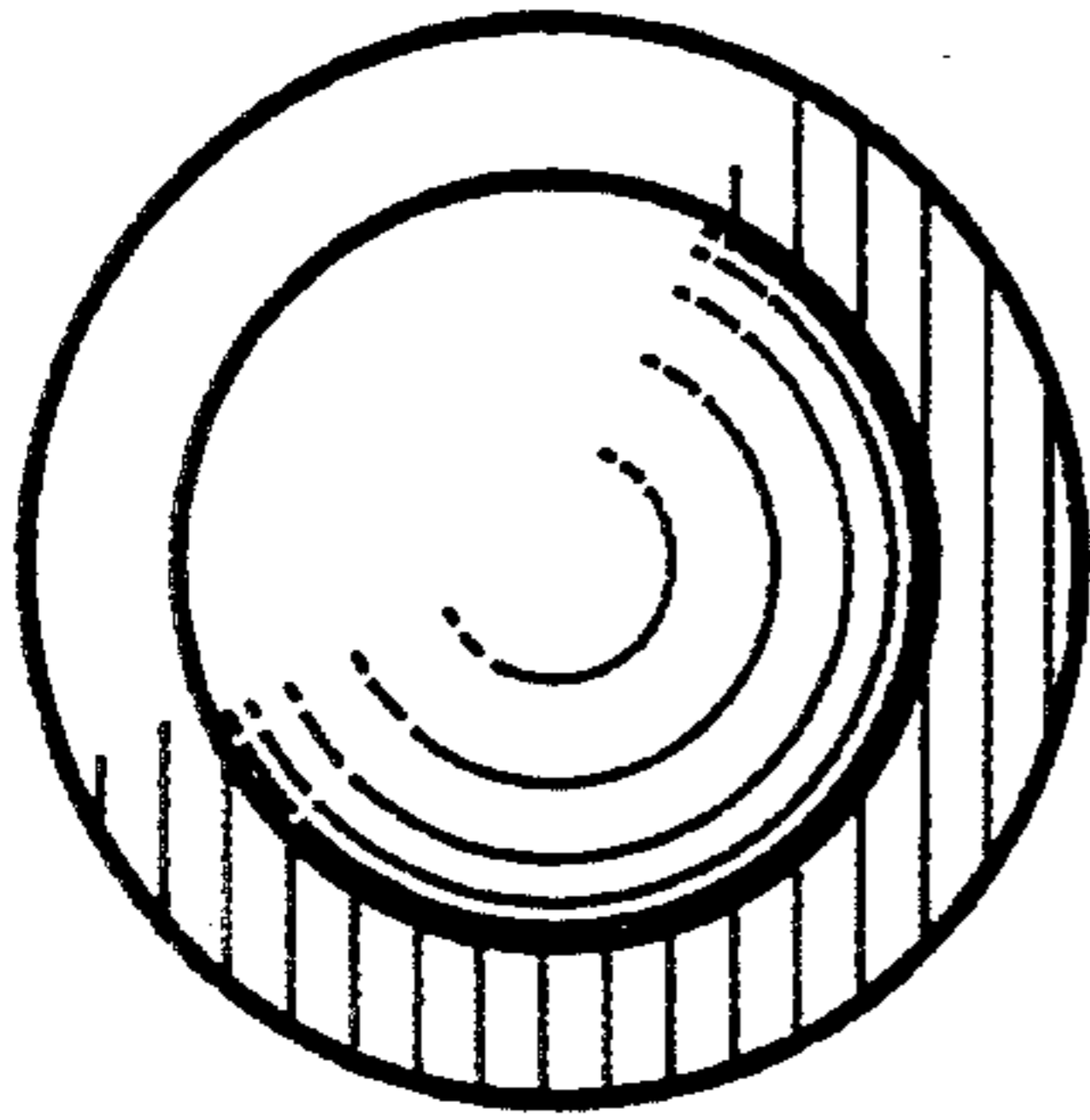


FIG. 1

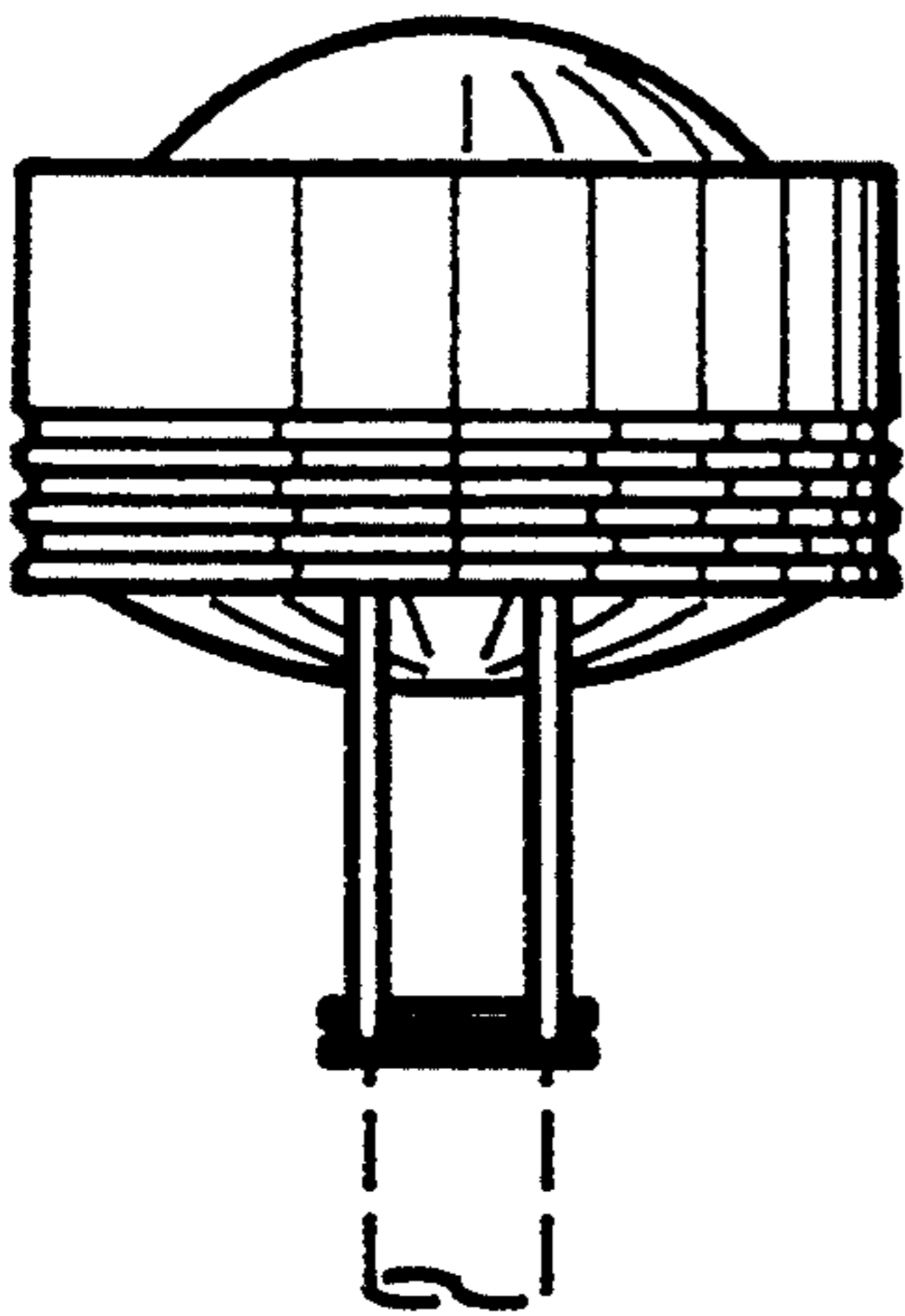


FIG. 2

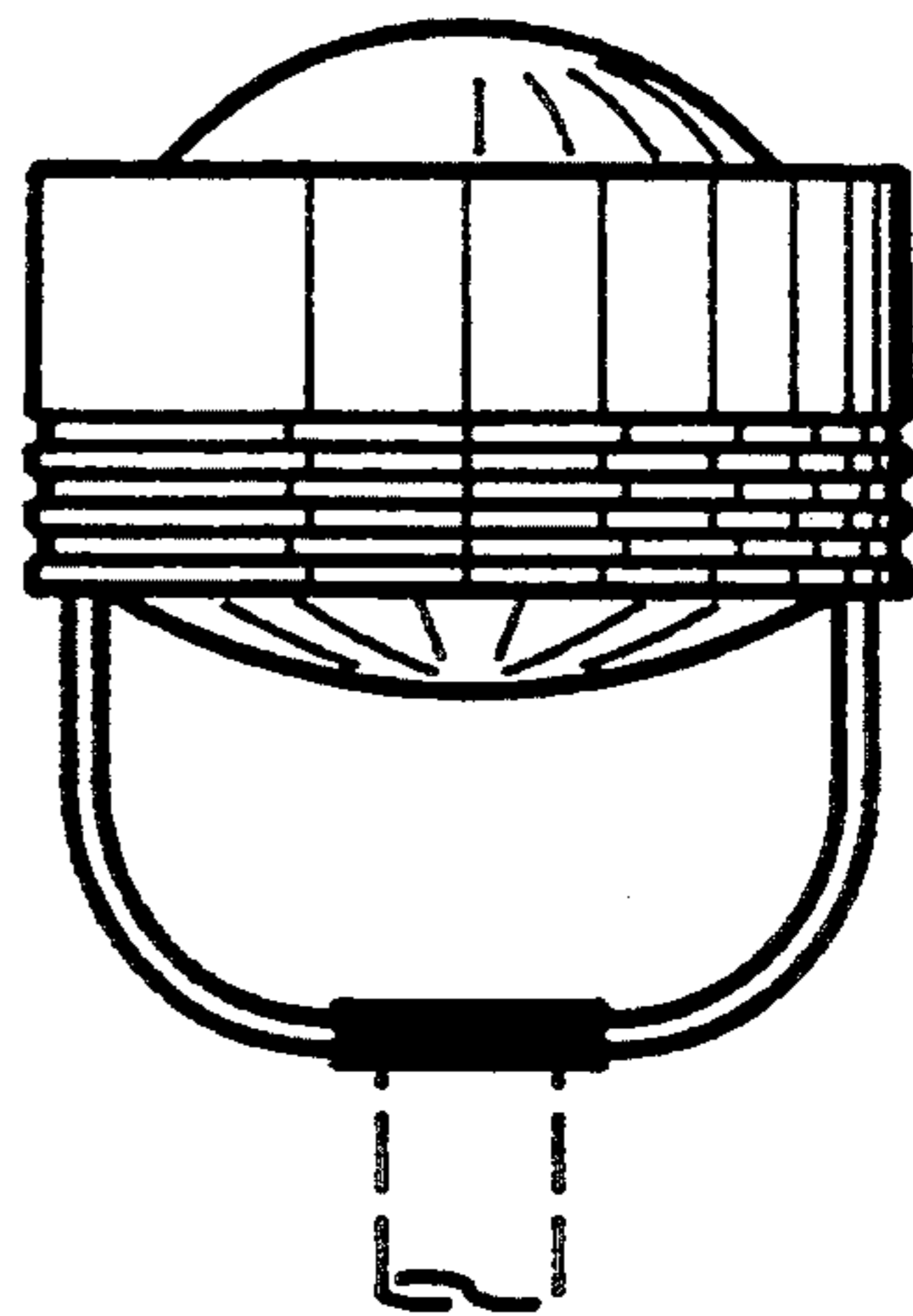


FIG. 3

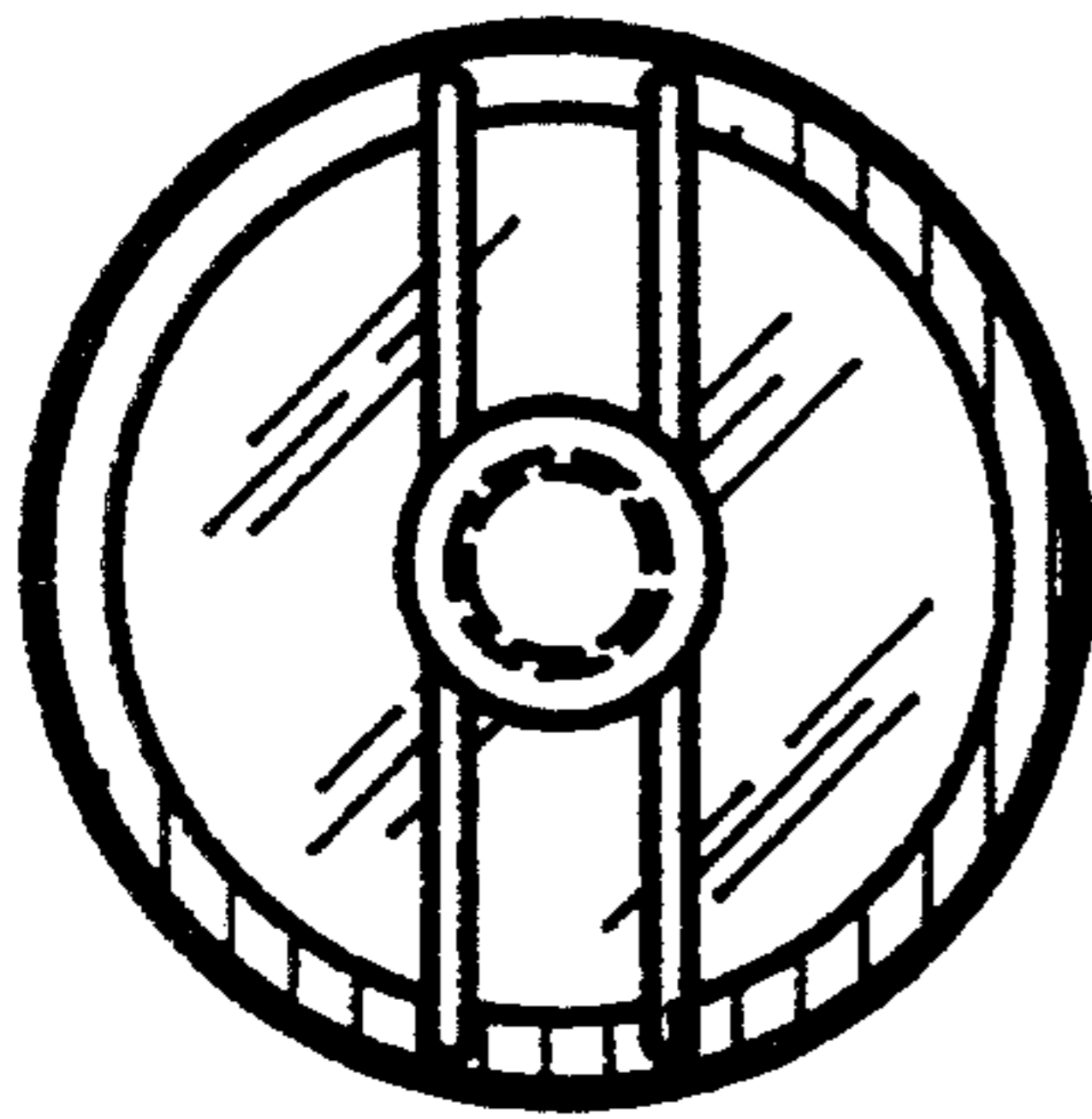


FIG. 4

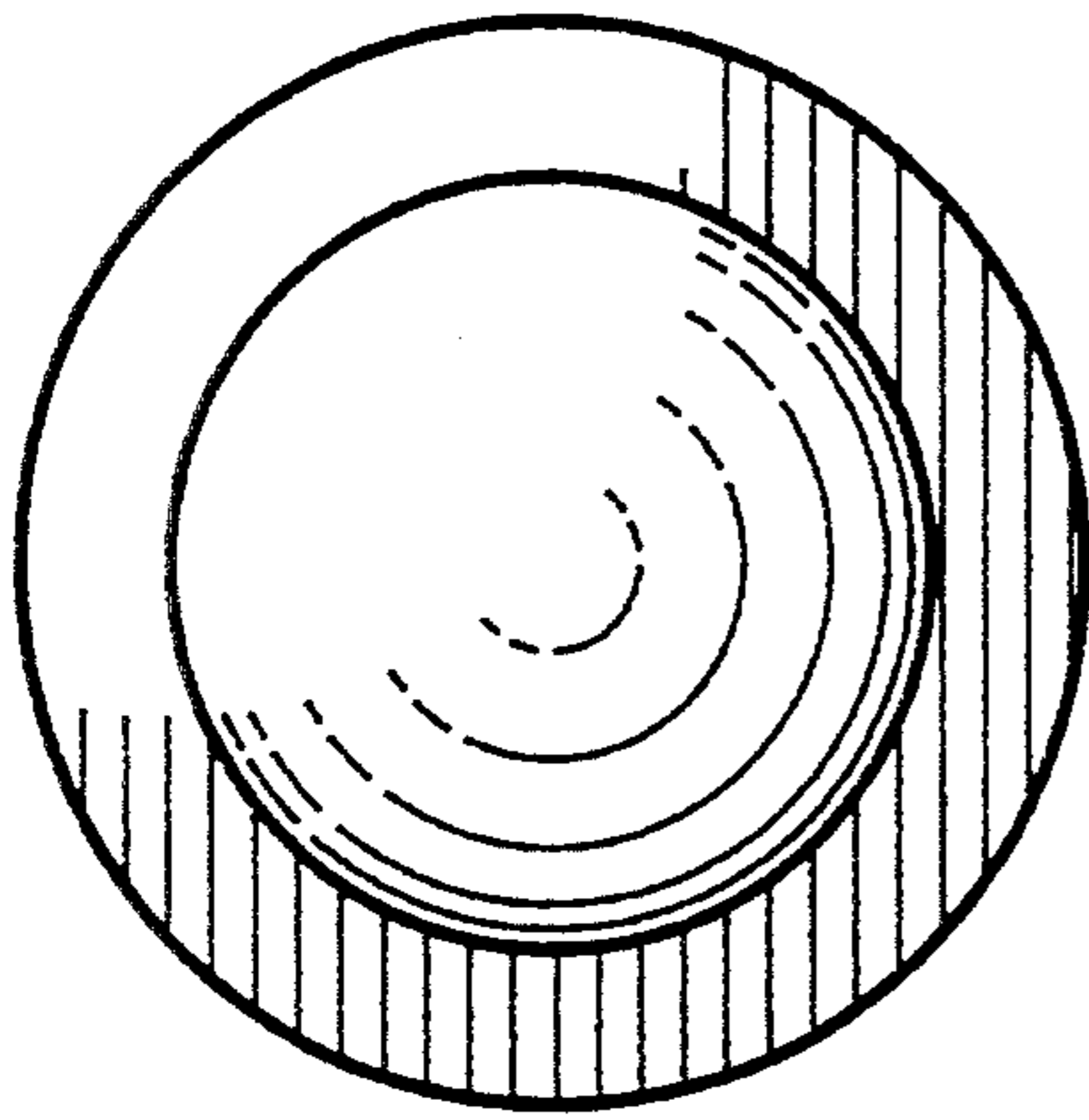


FIG. 5

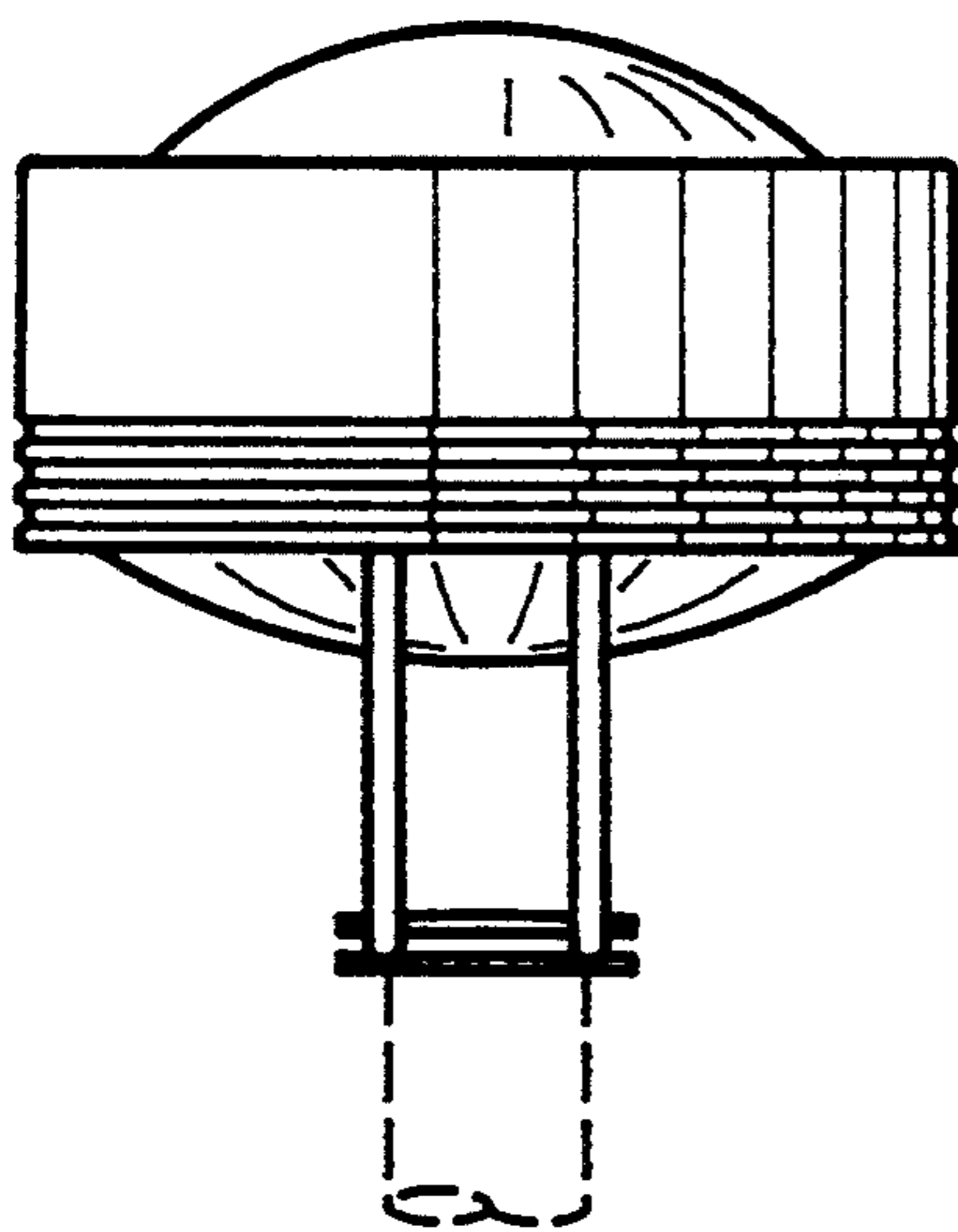


FIG. 6

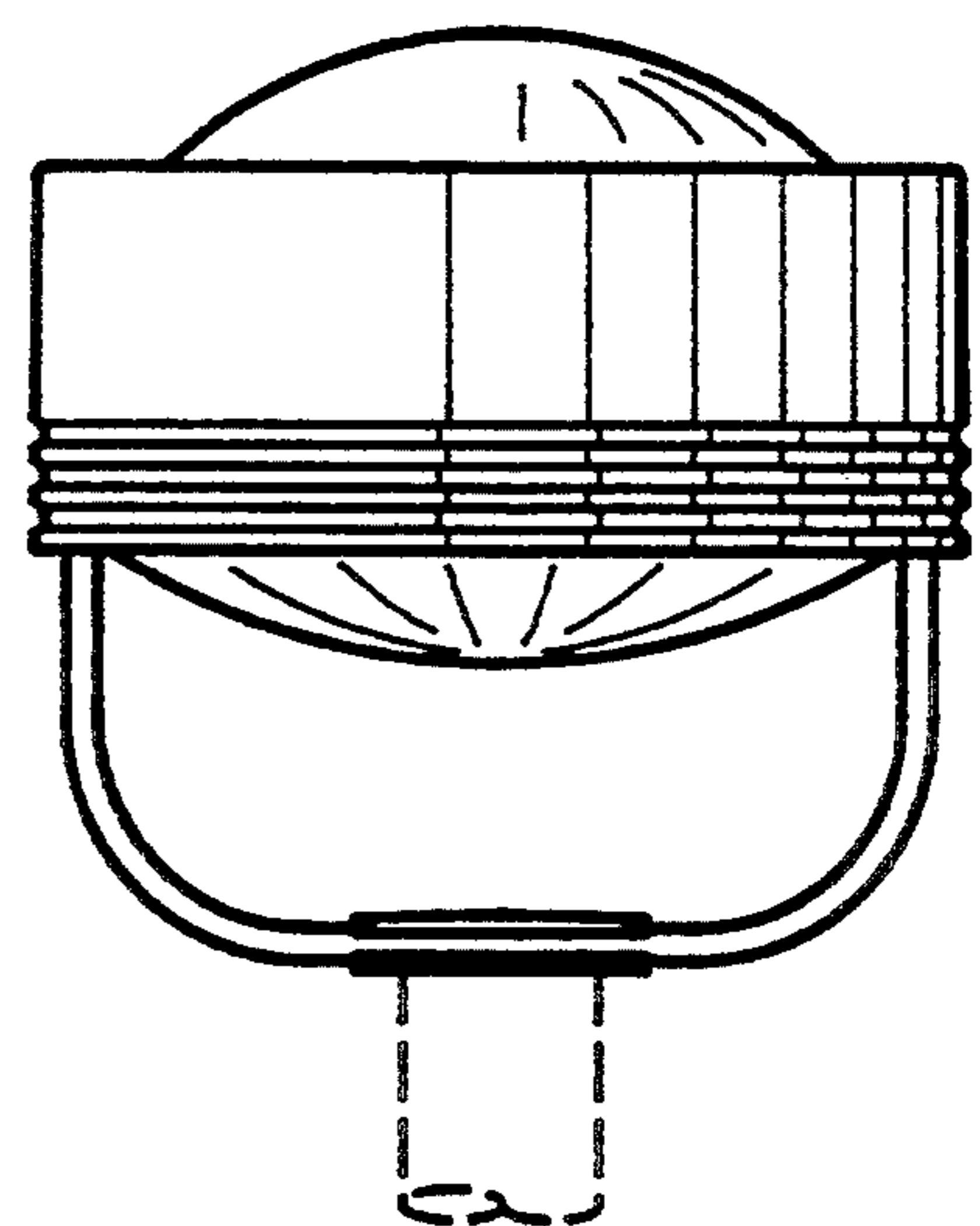


FIG. 7

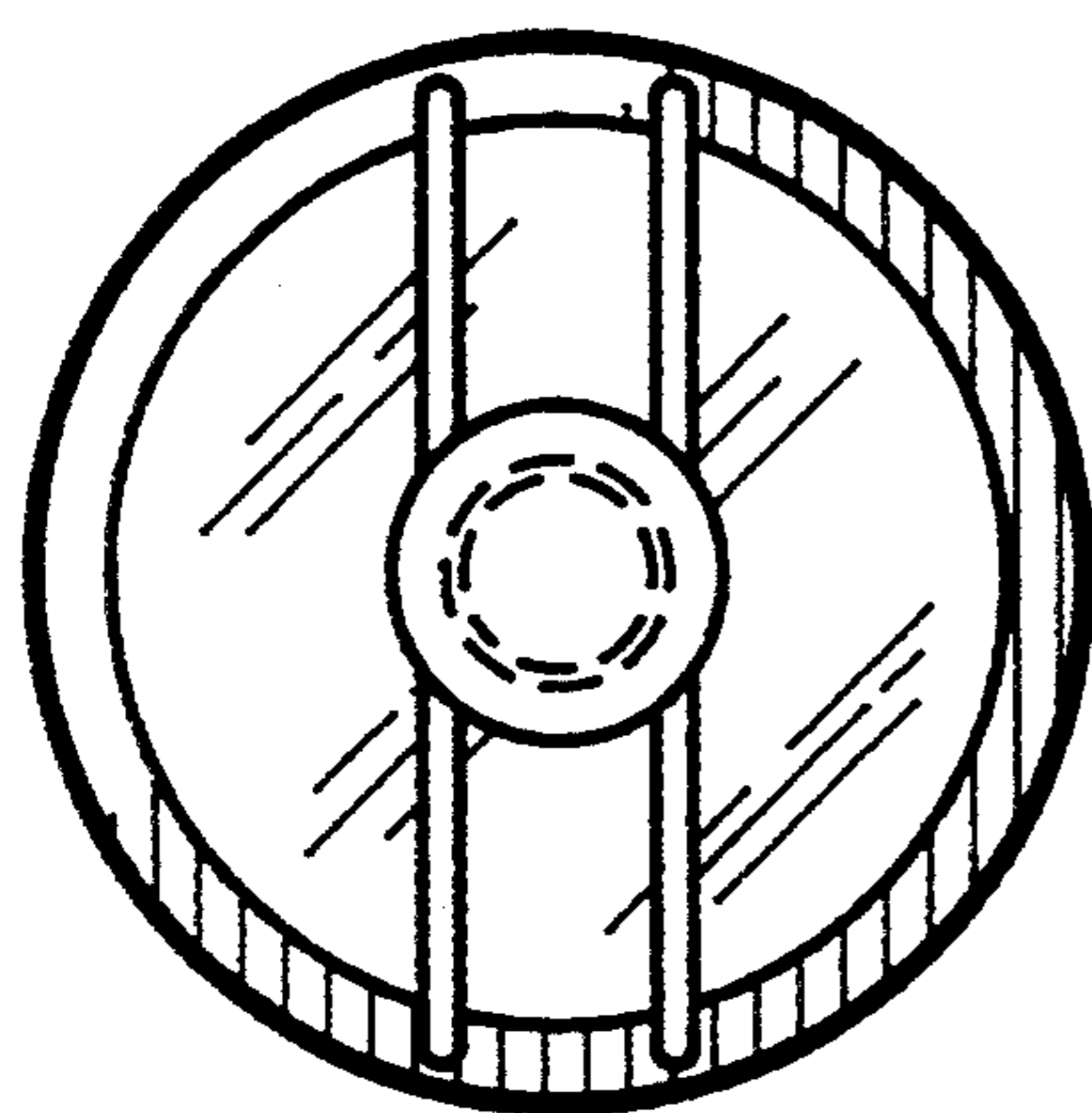


FIG. 8

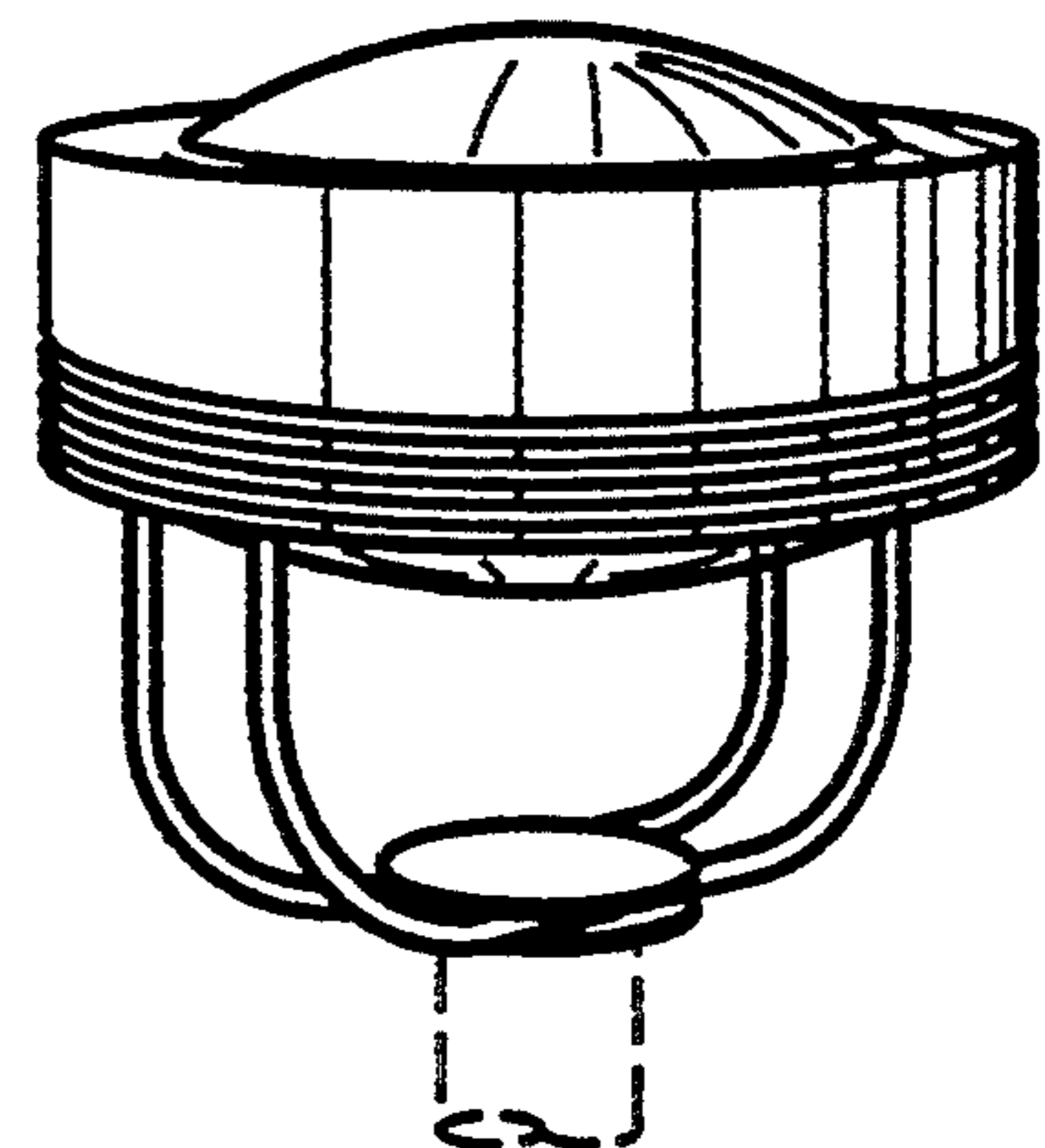


FIG. 9

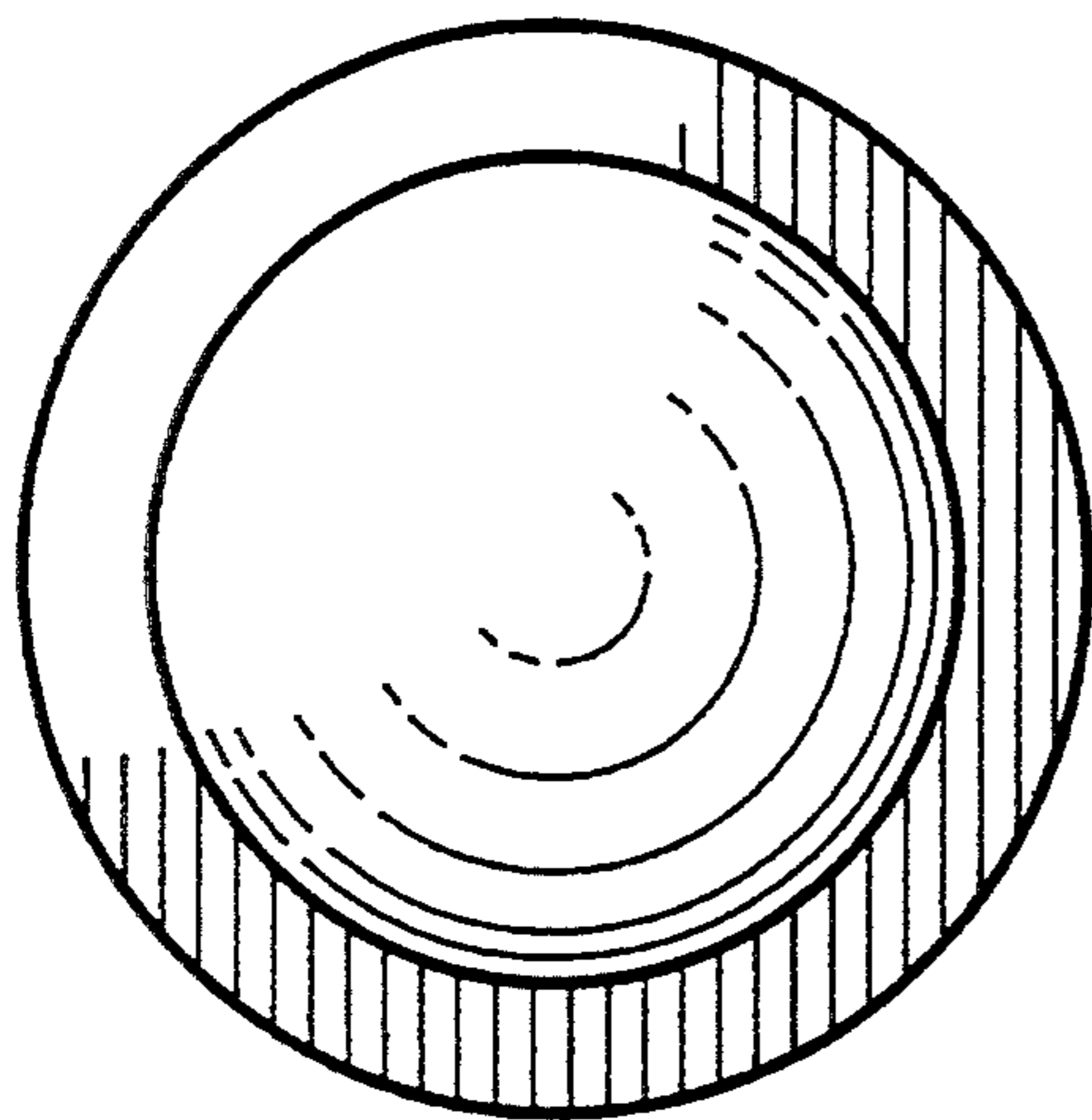


FIG. 10

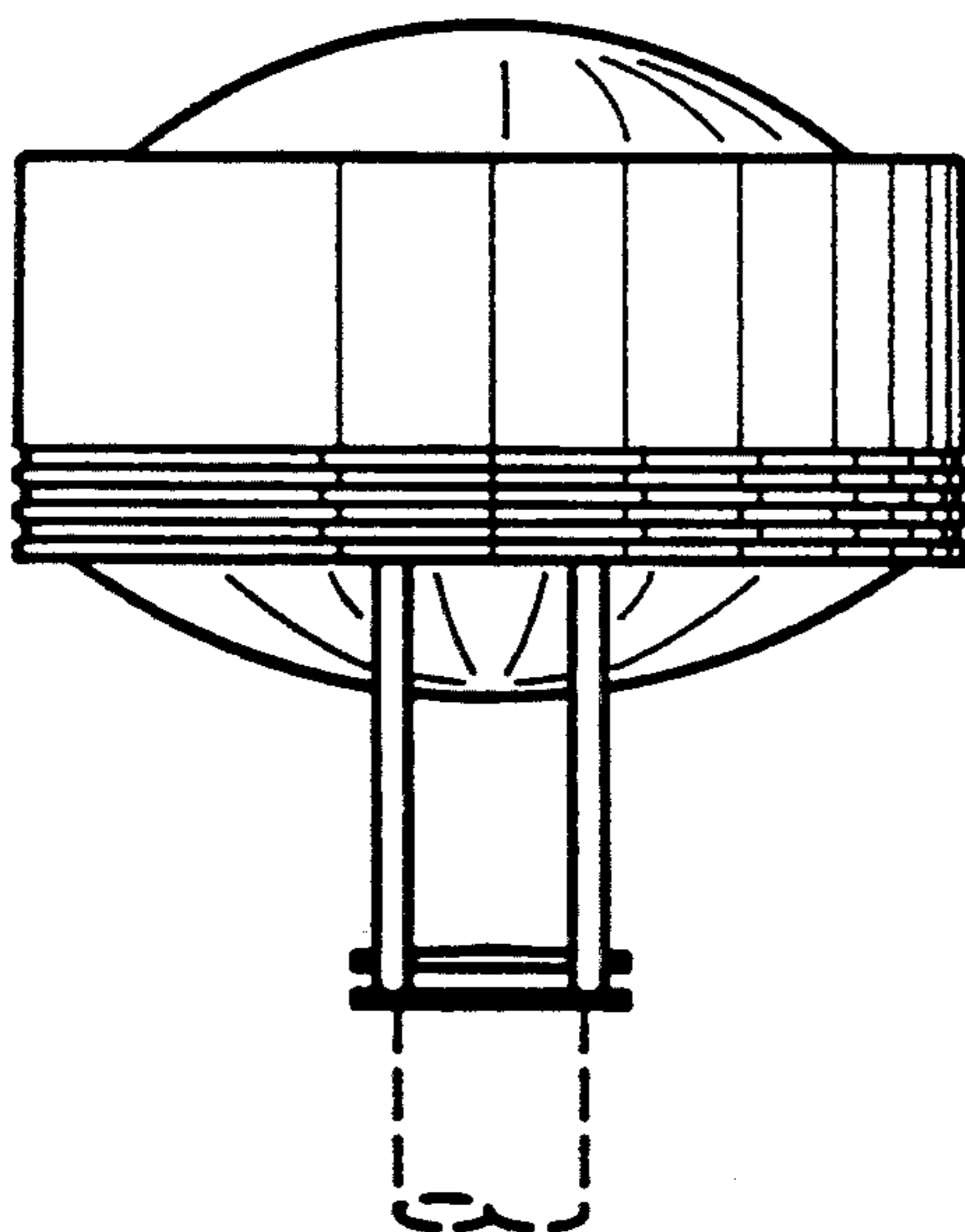


FIG. 11

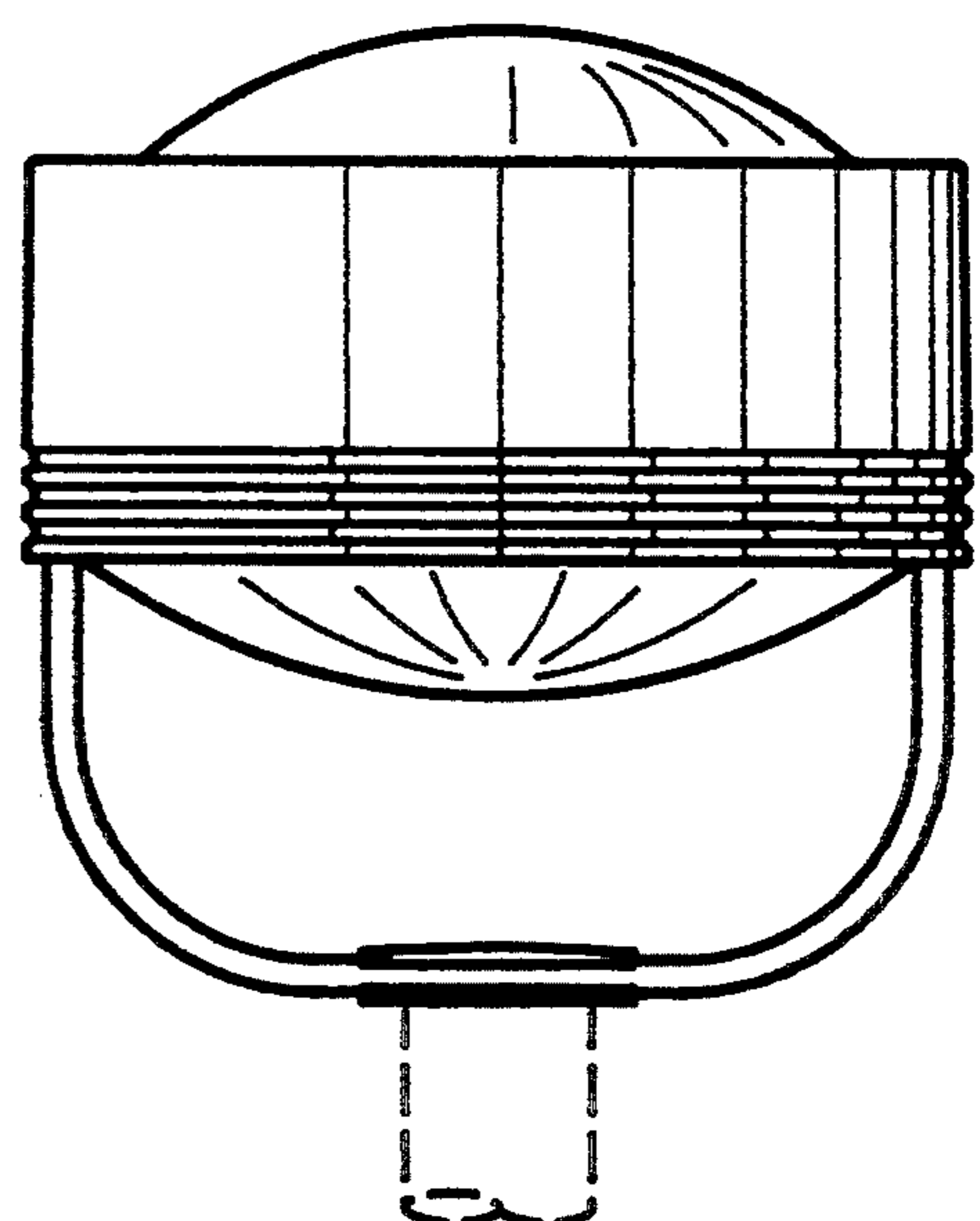


FIG. 12

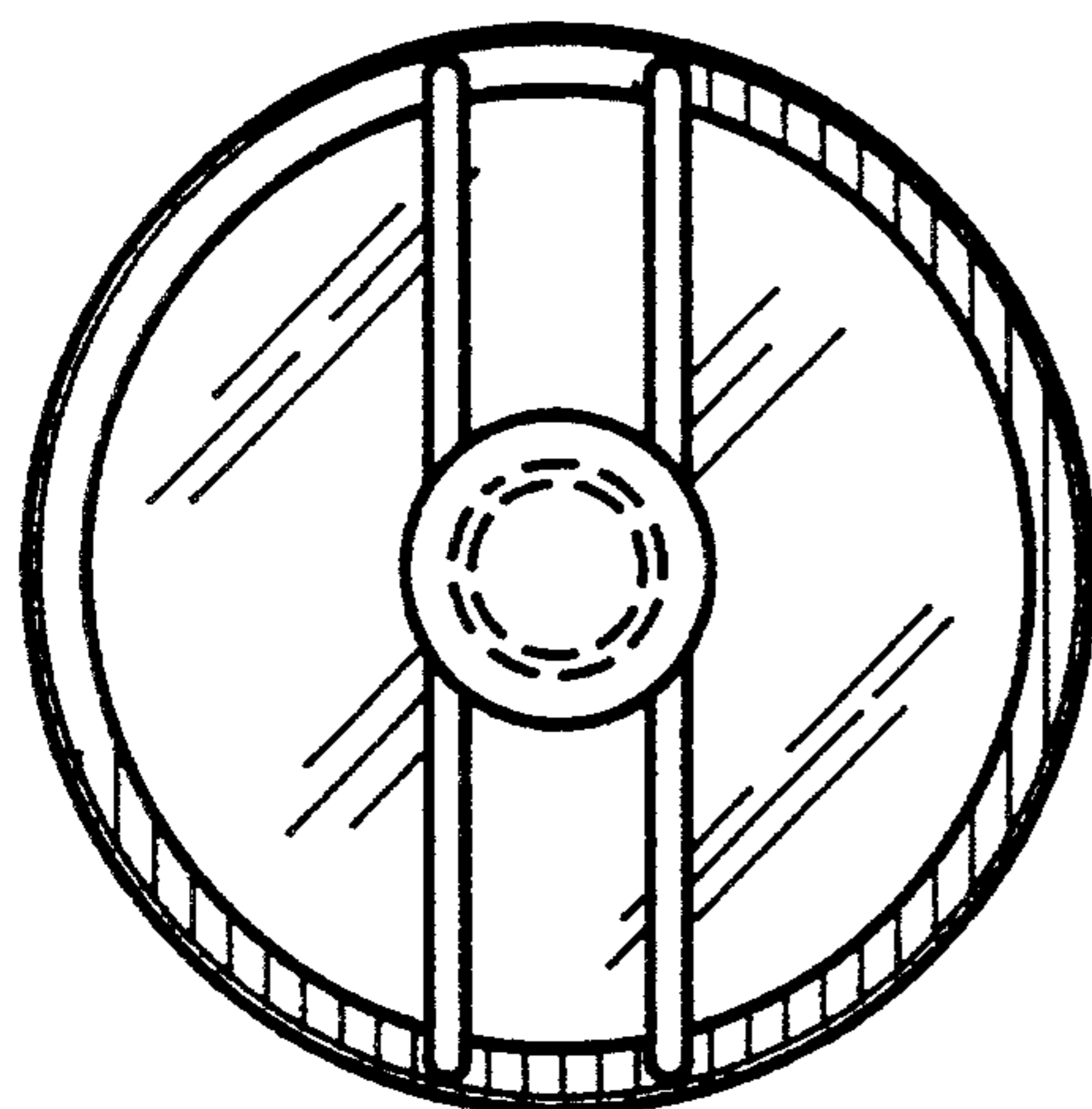


FIG. 13

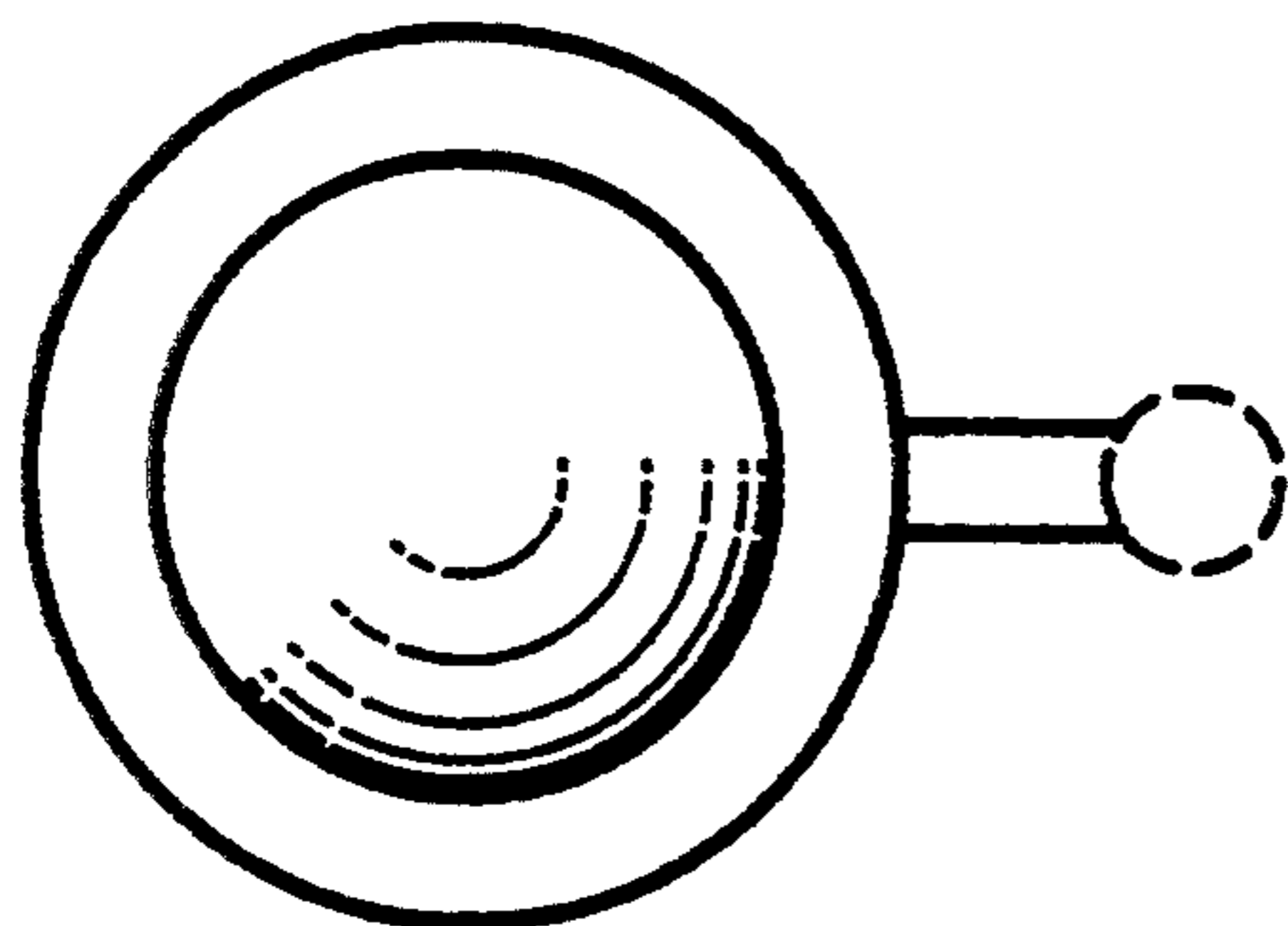


FIG. 14

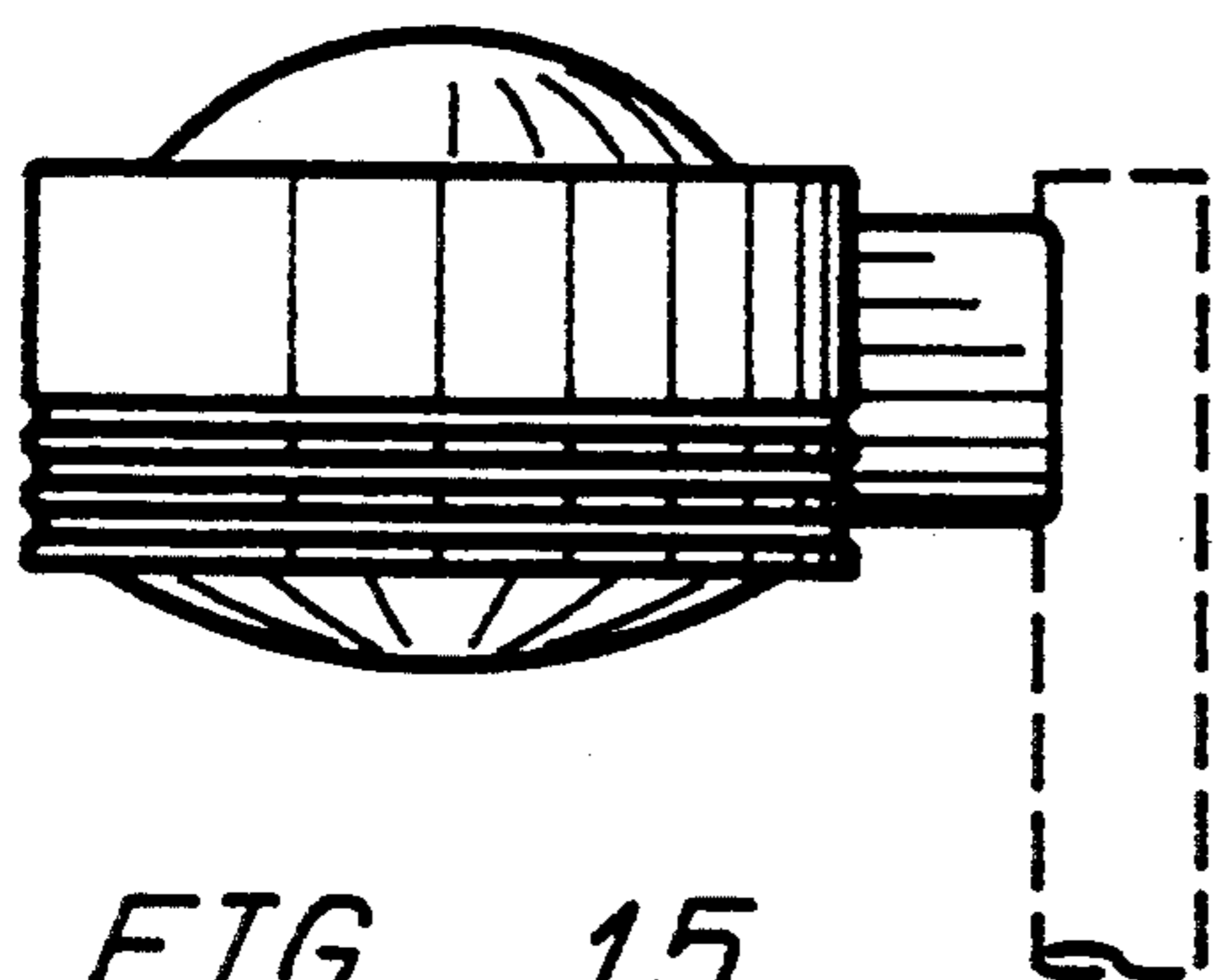


FIG. 15

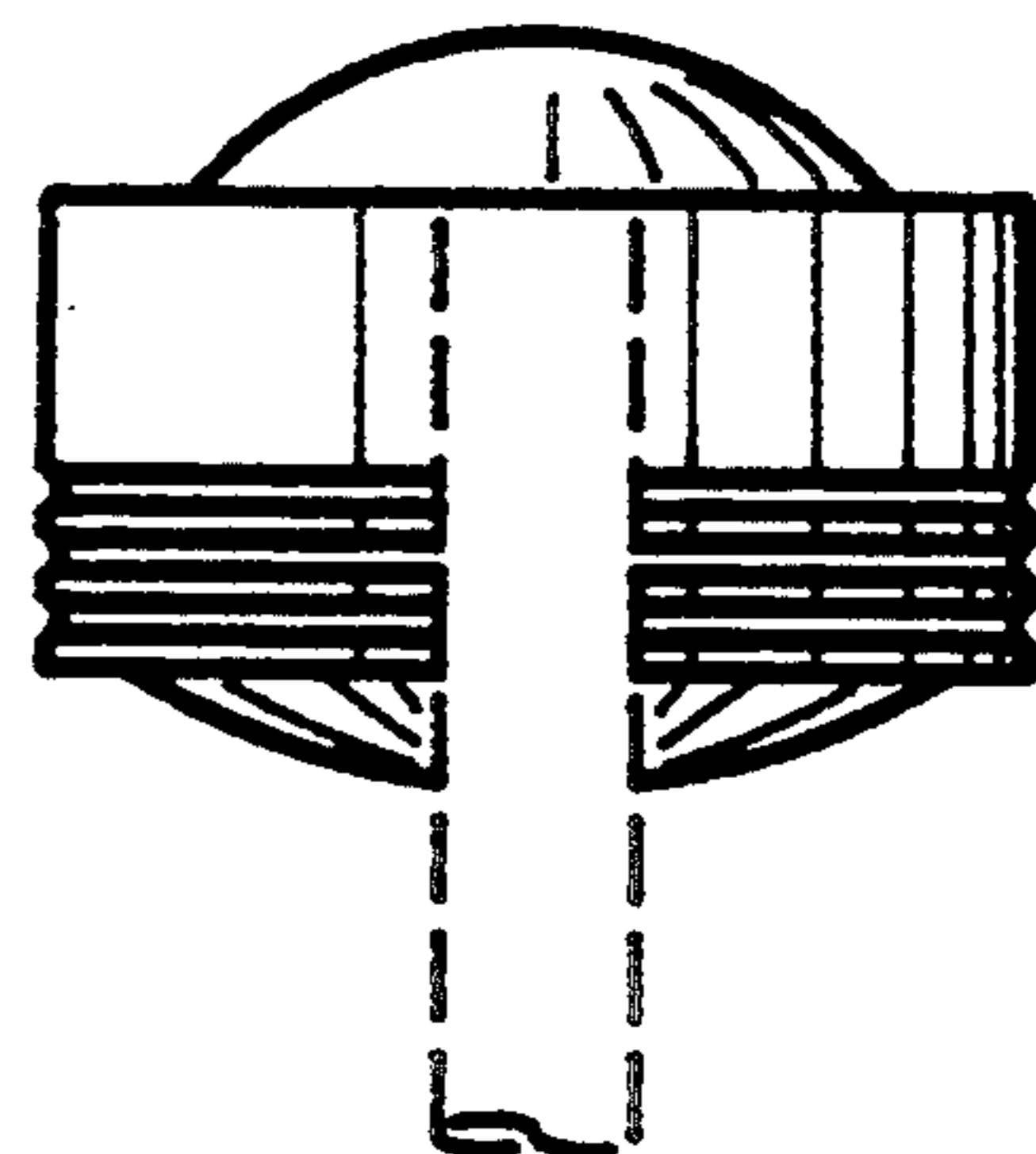


FIG. 16

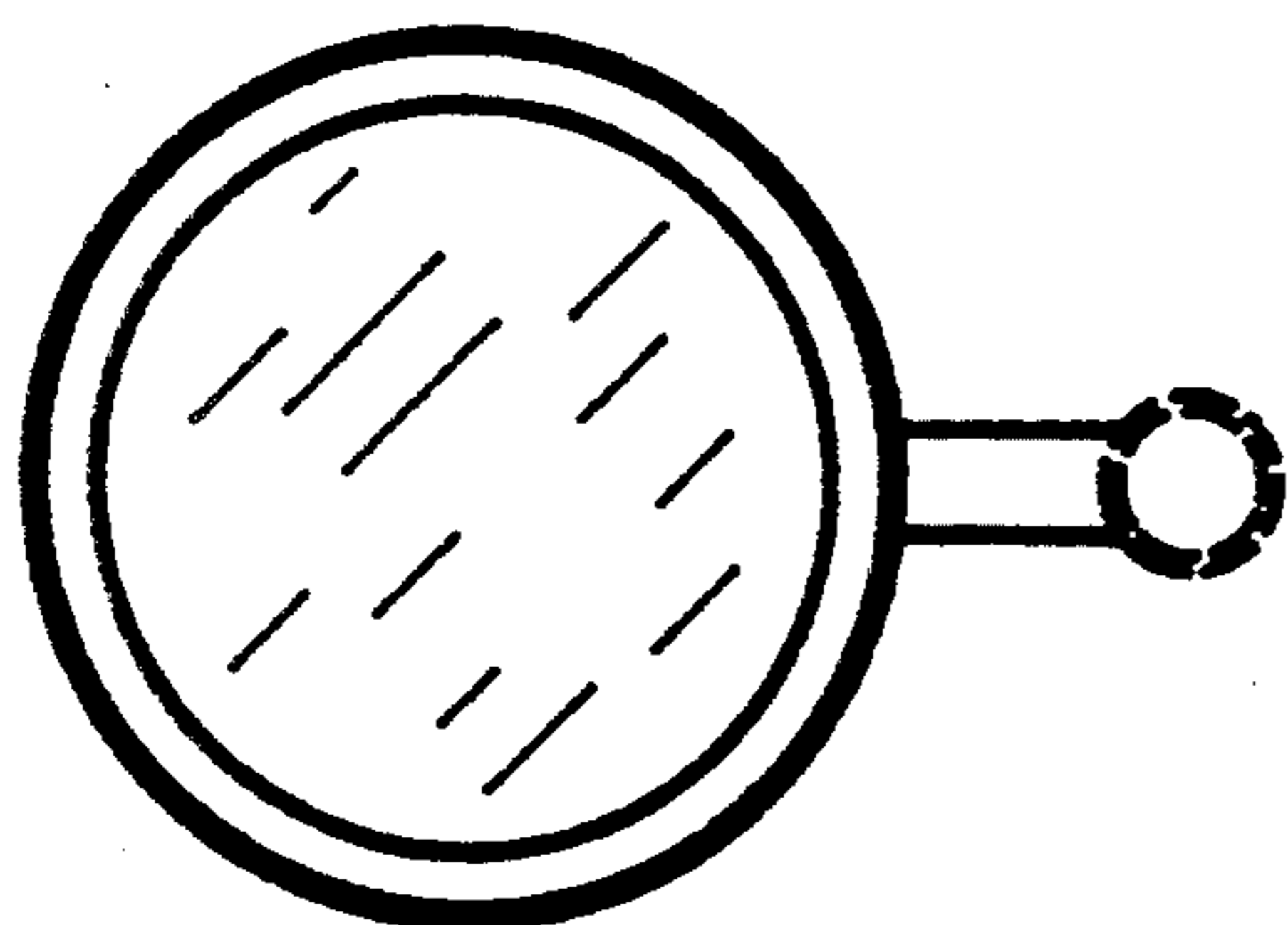


FIG. 17

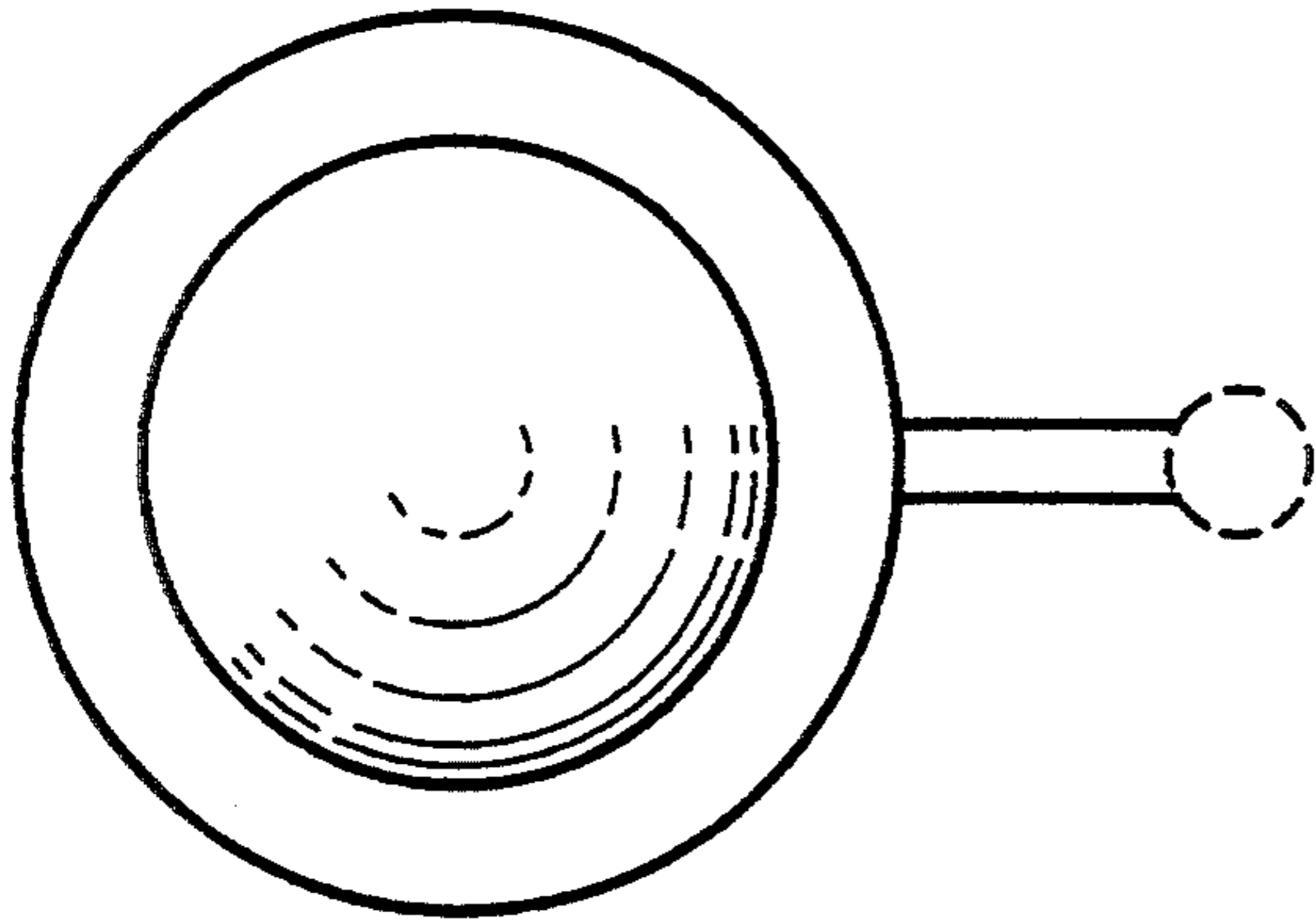


FIG. 18

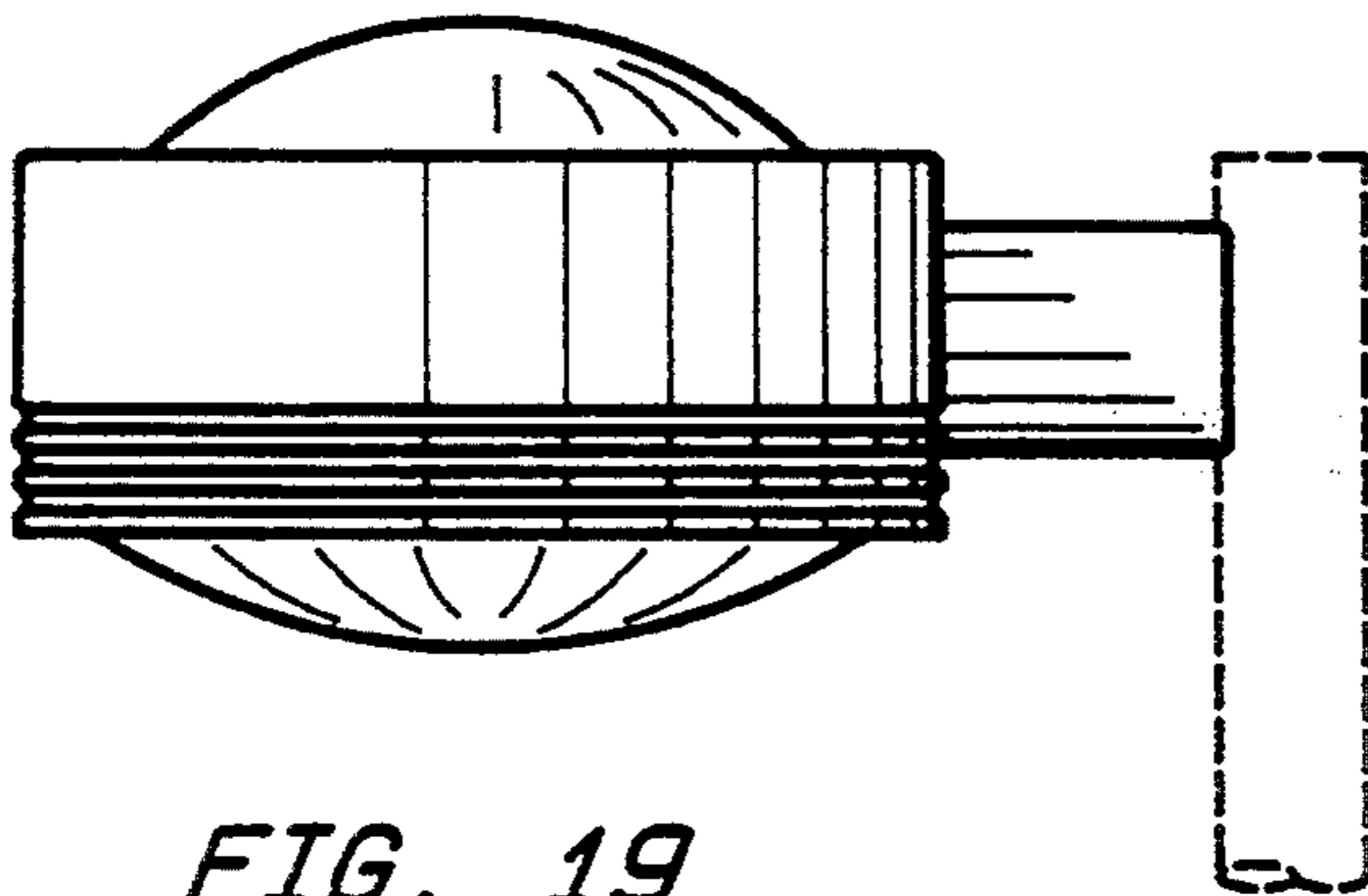


FIG. 19

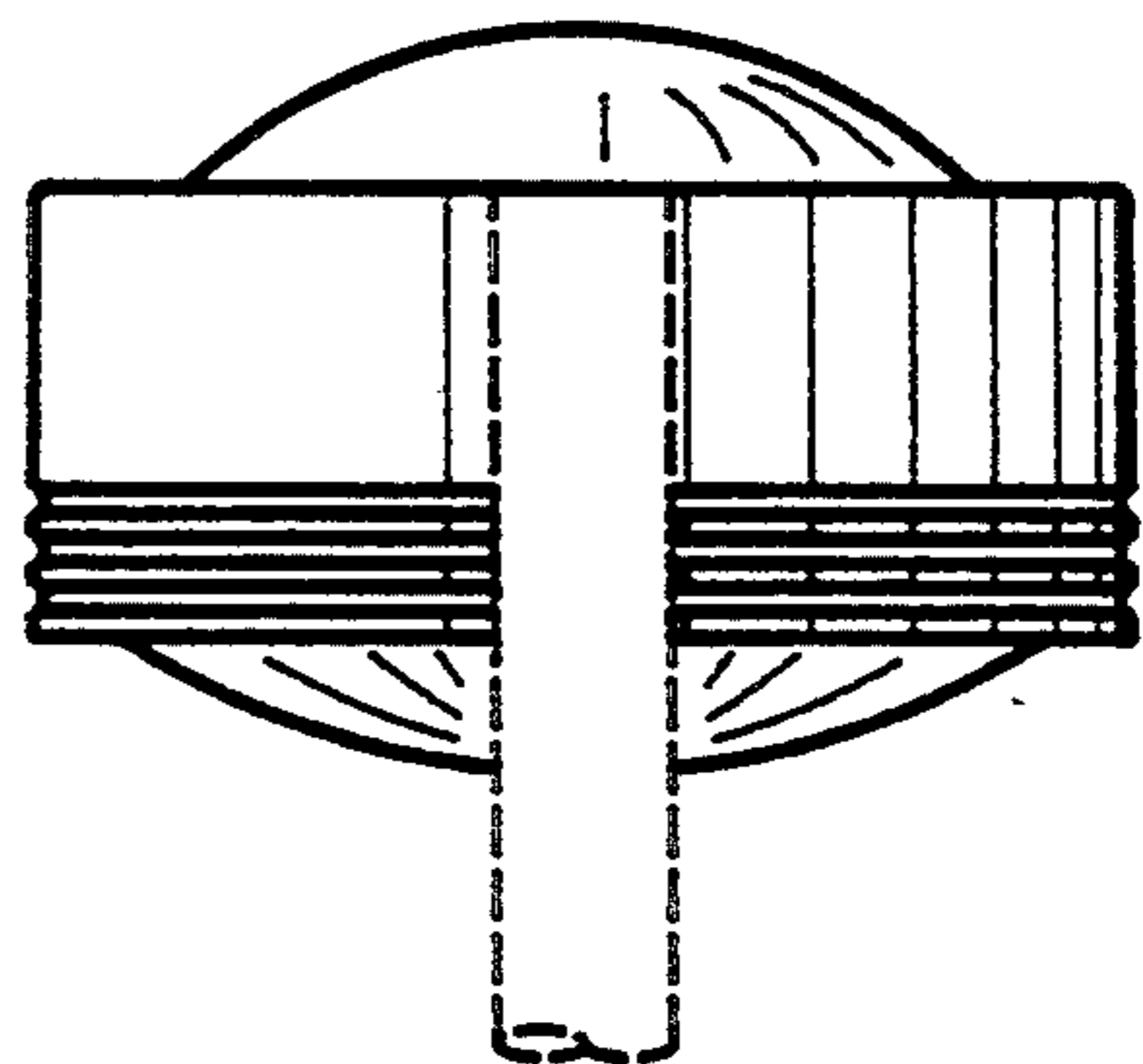


FIG. 20

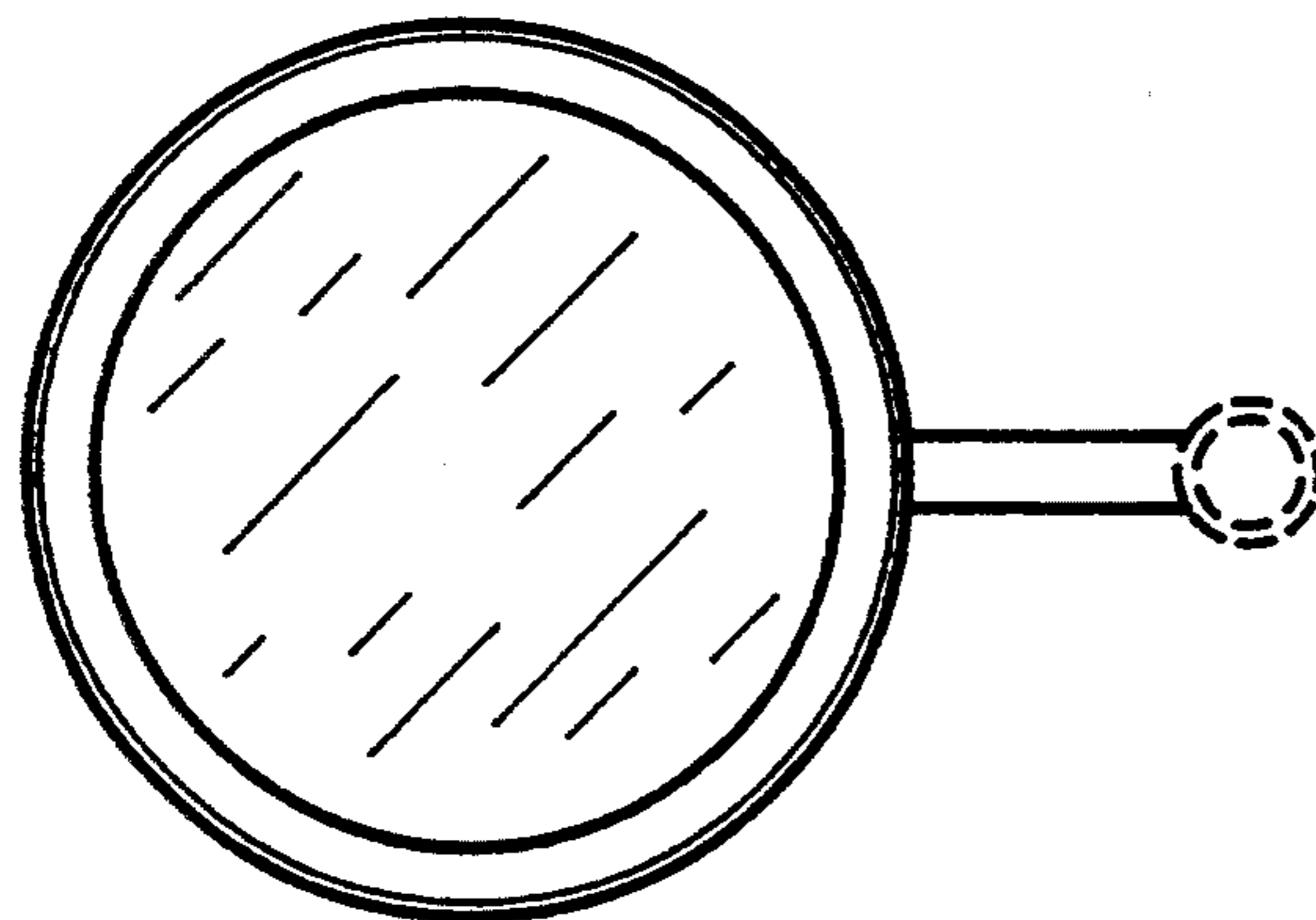


FIG. 21

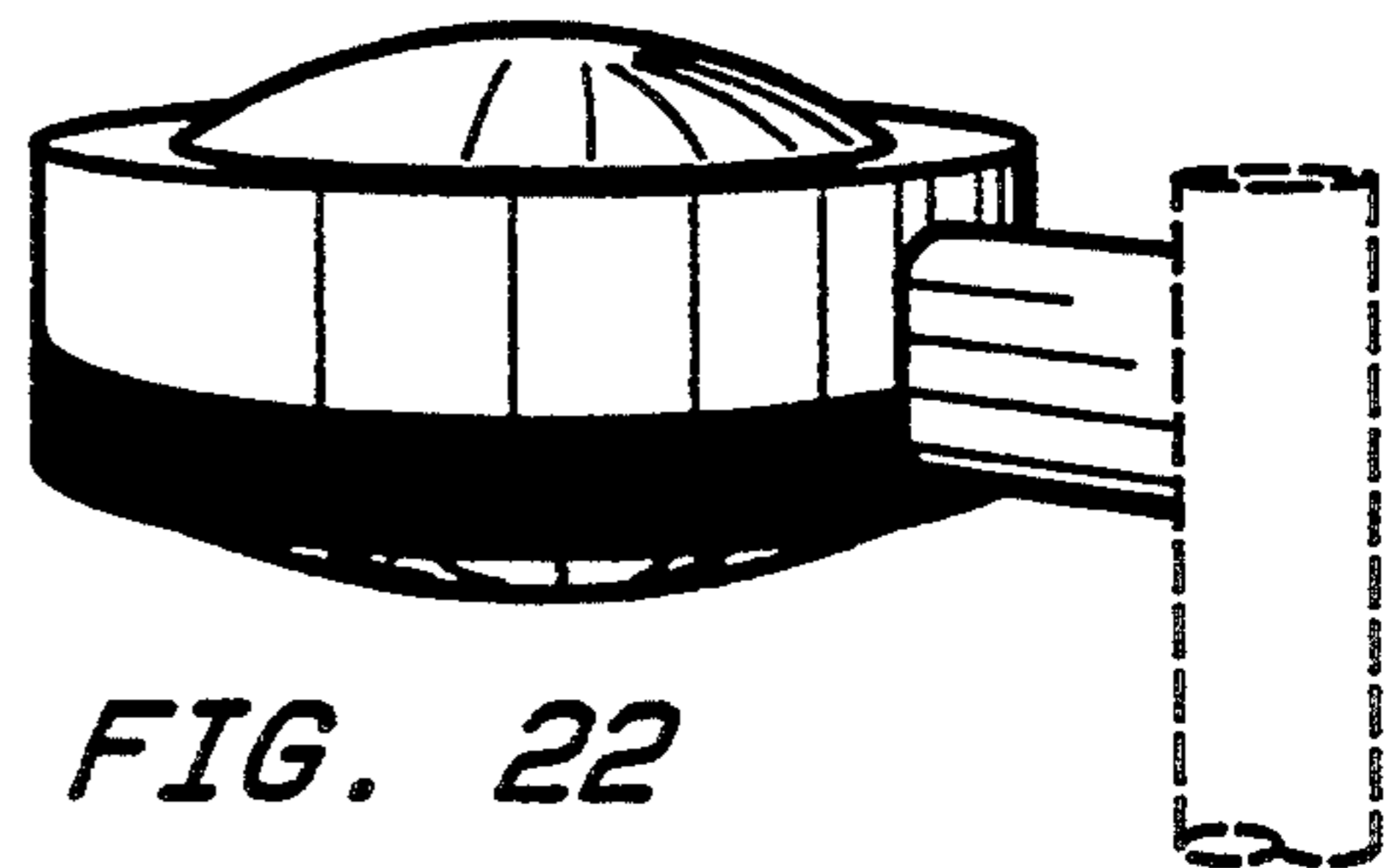


FIG. 22

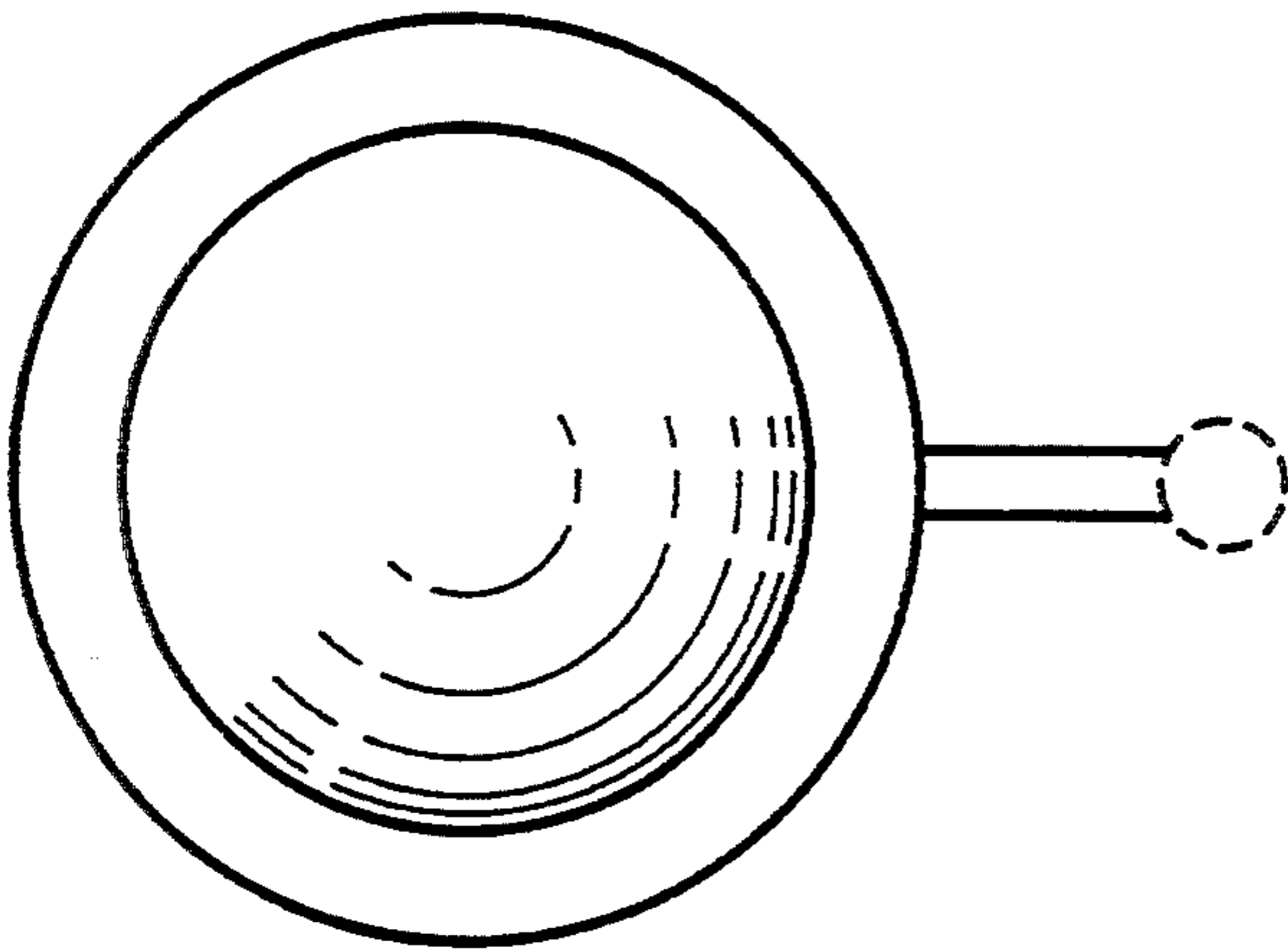


FIG. 23

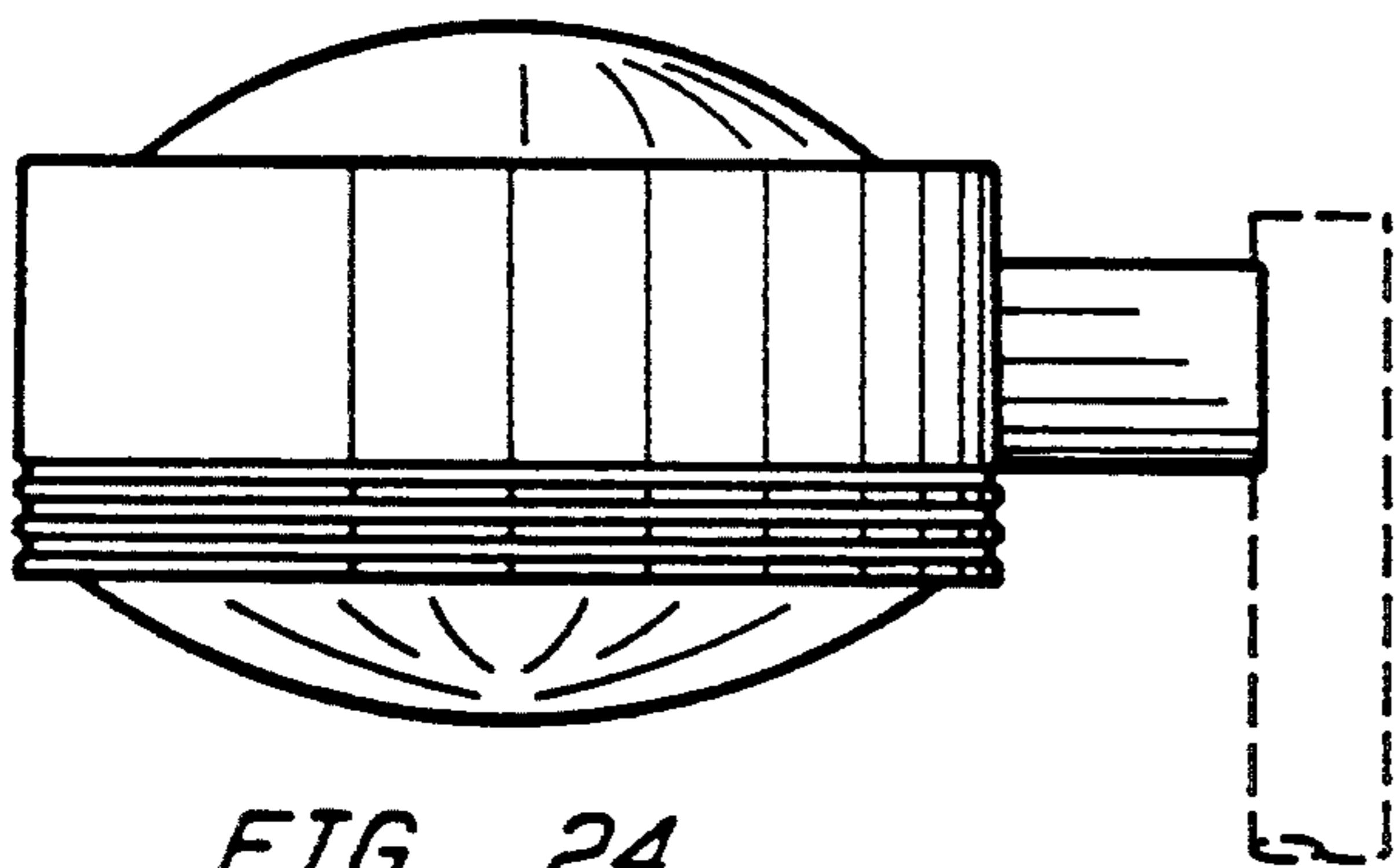


FIG. 24

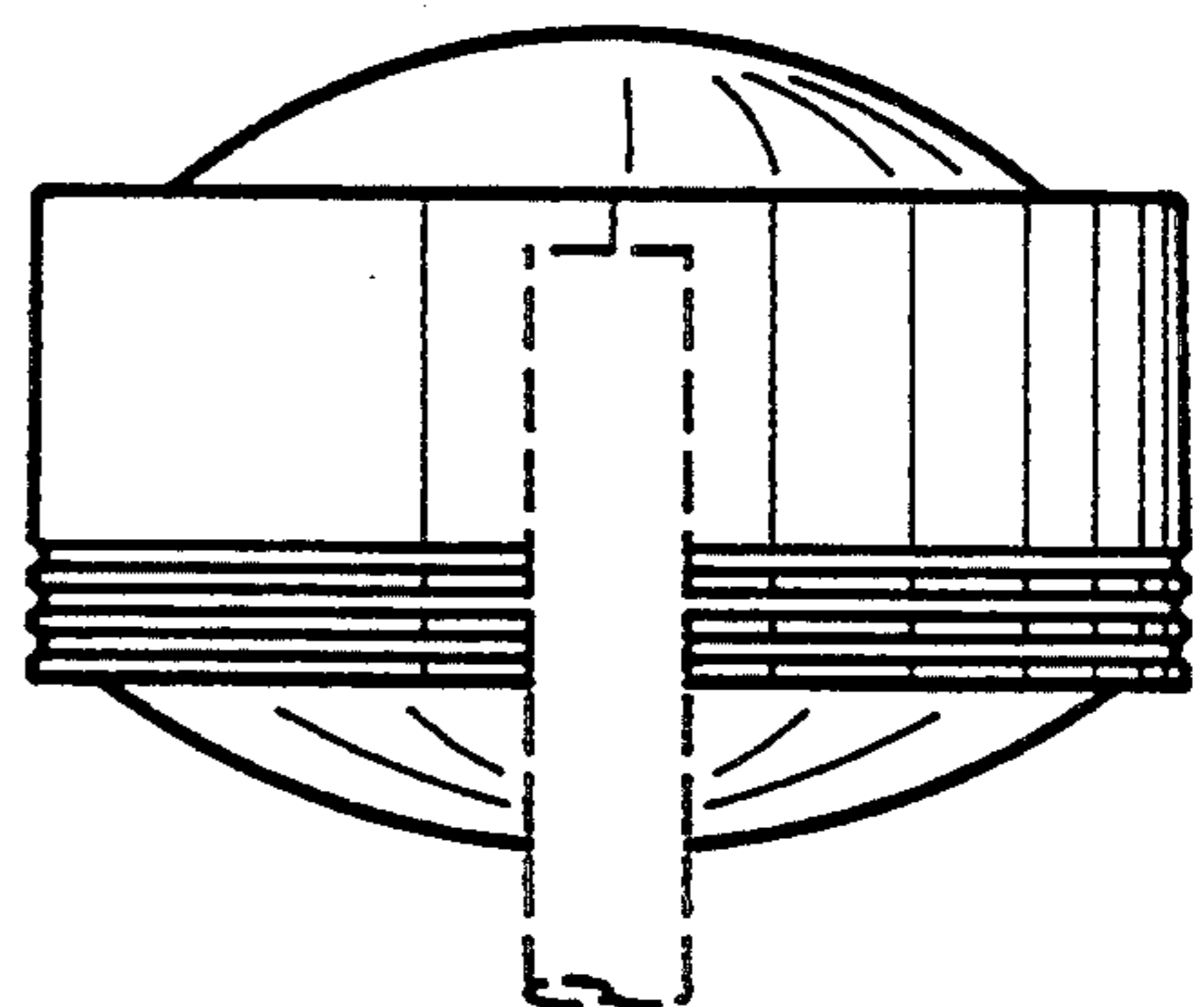


FIG. 25

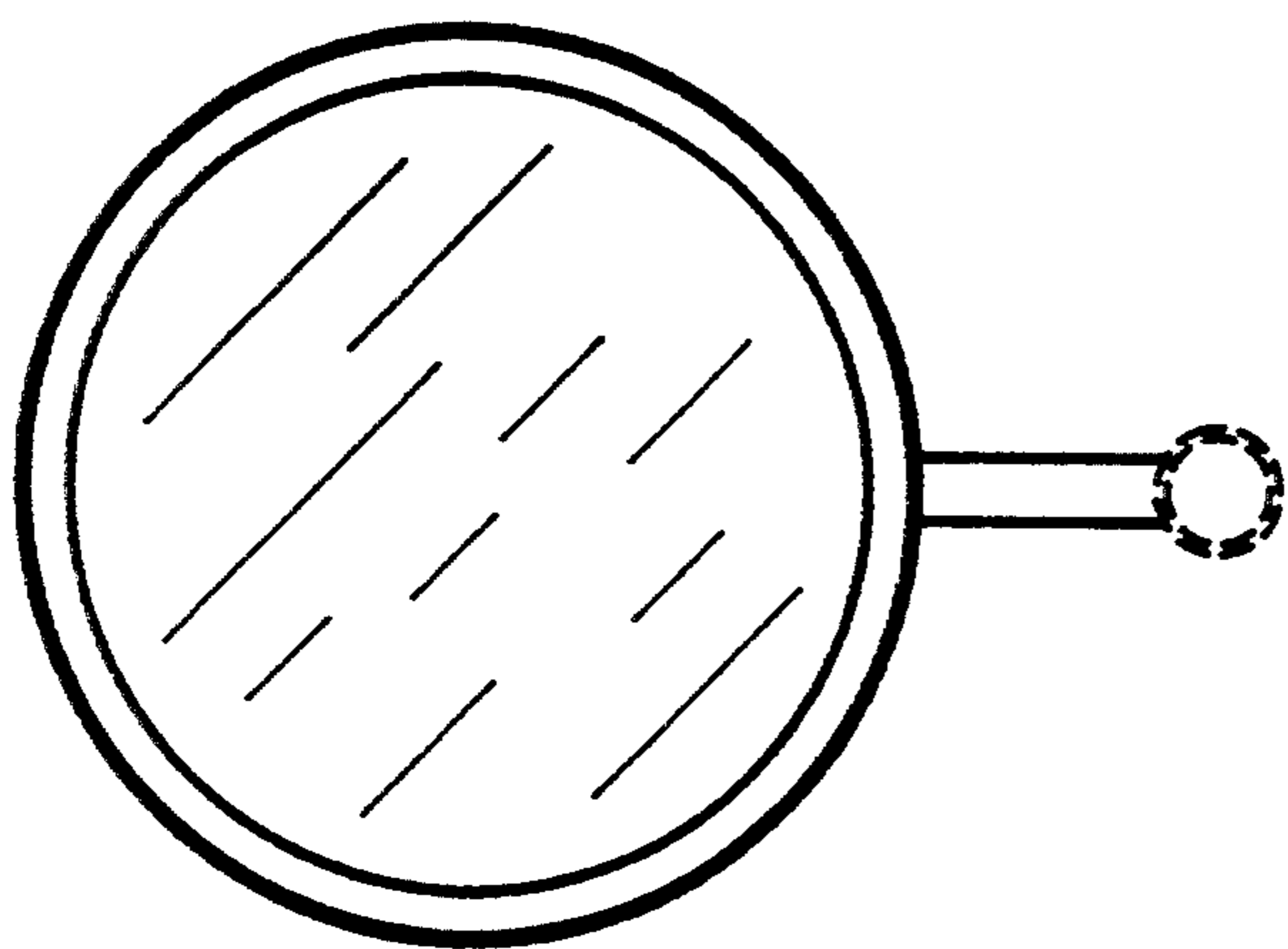


FIG. 26

UNITED STATES PATENT AND TRADEMARK OFFICE
CERTIFICATE OF CORRECTION

PATENT NO. : Des. 358,898

Page 1 of 5

DATED : May 30, 1995

INVENTOR(S) : Wayne W. Compton

It is certified that error appears in the above-identified patent and that said Letters Patent is hereby corrected as shown below:

Title page, should be deleted to be replaced with the attached title page.

The drawing sheets, consisting of Figs. 14-17, 18-22, and 23-26, should be deleted to be replaced with the drawing sheets, consisting of Figs. 14-17, 18-22, and 23-26, as shown on the attached pages.

Signed and Sealed this
Sixteenth Day of January, 1996

Attest:



BRUCE LEHMAN

Attesting Officer

Commissioner of Patents and Trademarks

United States Patent [19]

Compton

[11] Patent Number: Des. 358,898

[45] Date of Patent: ** May 30, 1995

[54] EXTERIOR LUMINAIRE

[75] Inventor: Wayne W. Compton, Chino Hills, Calif.

[73] Assignee: Kim Lighting, Inc., Industry, Calif.

[**] Term: 14 Years

[21] Appl. No.: 813,298

[22] Filed: Dec. 18, 1991

[52] U.S. Cl. D26/67

[58] Field of Search D26/67-71;
362/431, 153.1, 362, 363, 367

[56] * References Cited

U.S. PATENT DOCUMENTS

- D. 290,409 6/1987 Gendron et al. D26/67
- D. 301,175 5/1989 Benjamin D26/67

OTHER PUBLICATIONS

Custom Lighting, Inc. Ad. p. 1, Exterior Luminaire CL-Moderna-RD11 (gr. 2900 Exterior Lamp Box).

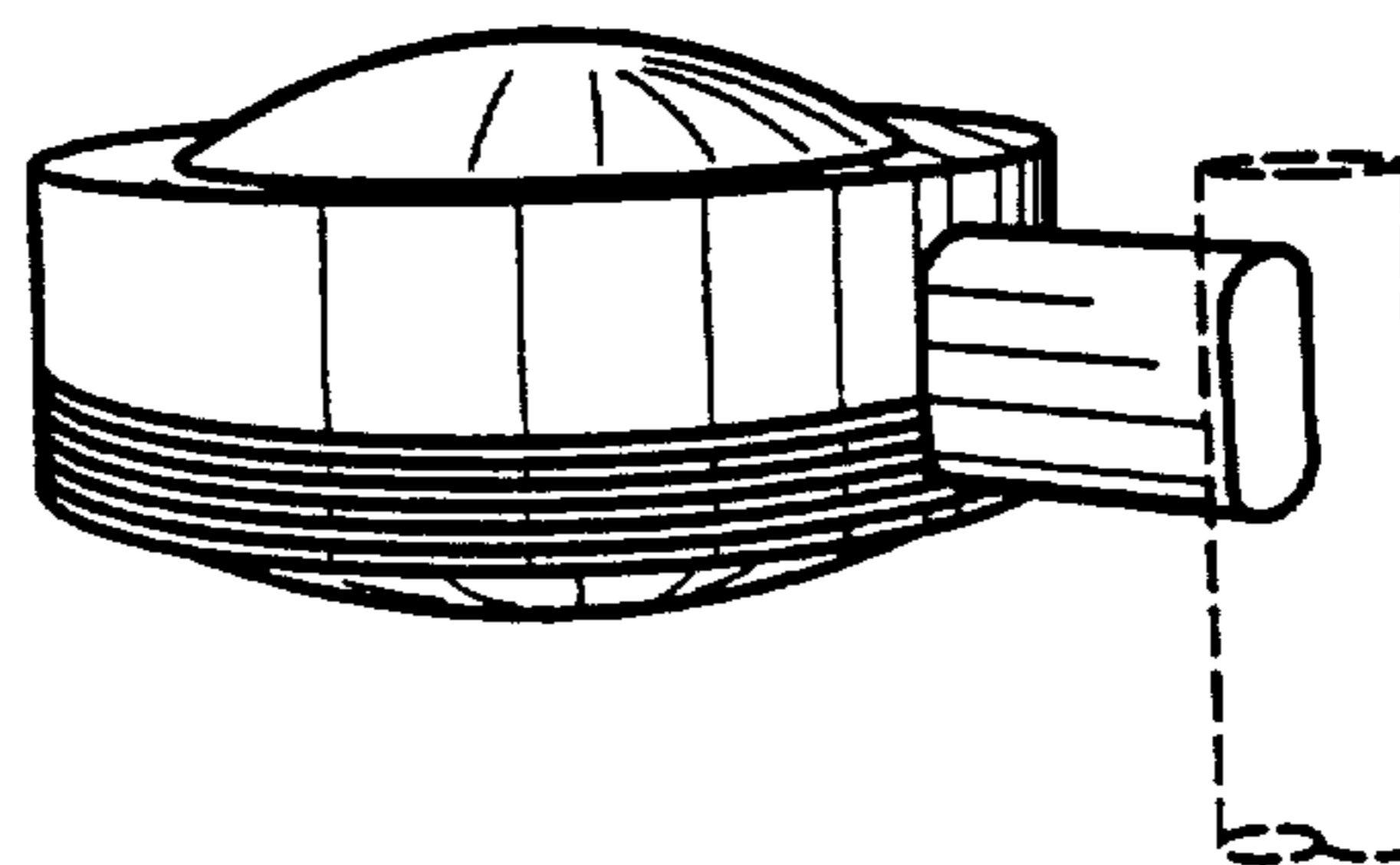
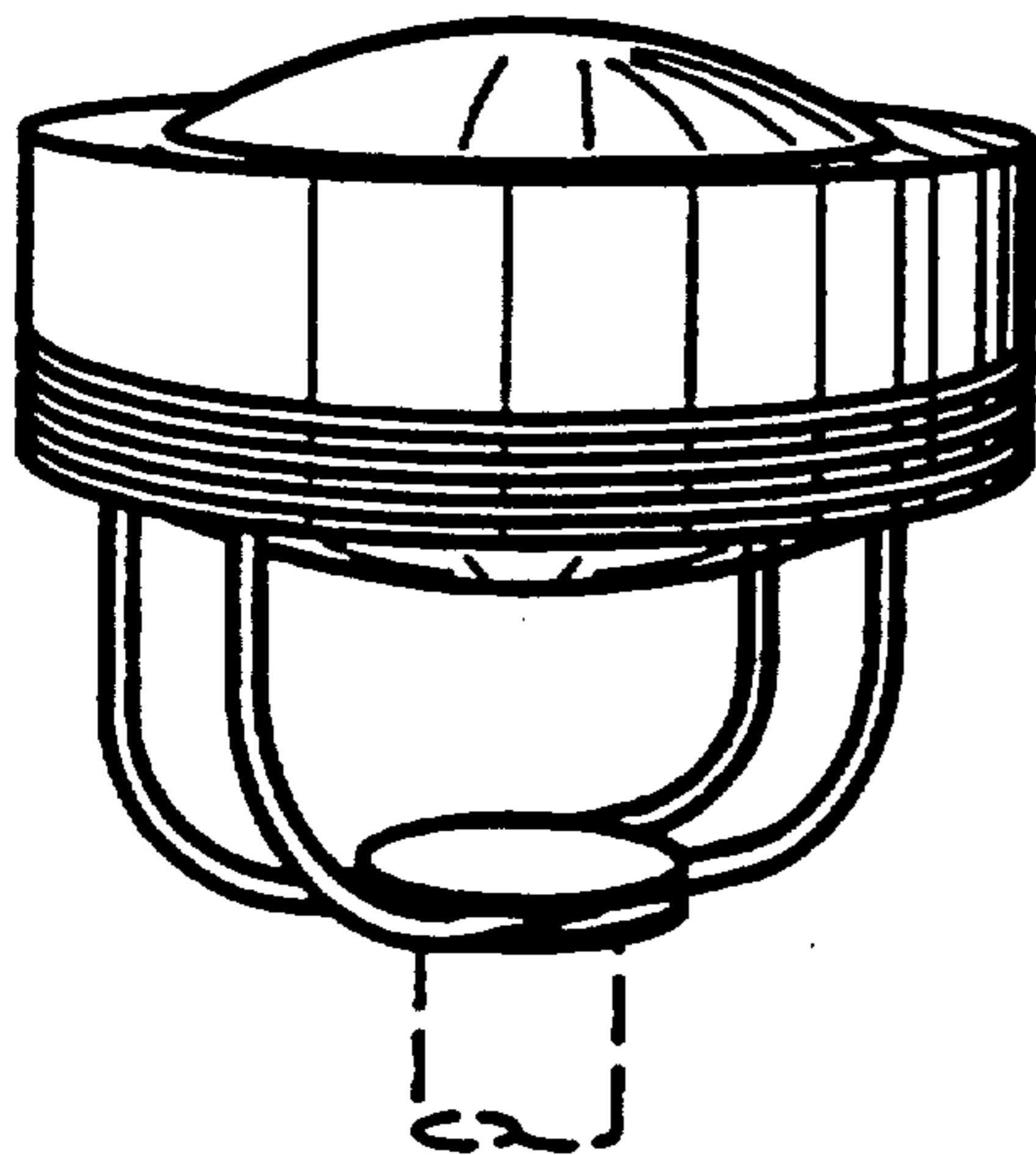
Primary Examiner—Susan J. Lucas
Attorney, Agent, or Firm—Lyon & Lyon

[57] CLAIM

The ornamental design for an exterior luminaire, as shown.

DESCRIPTION

FIGS. 1-4 show a first embodiment (e.g. 17 inch) of an exterior luminaire of the present invention adapted to be mounted above a post, wherein FIGS. 1-4 respectively are top, side, front and bottom views thereof; FIGS. 5-9 are views of a second embodiment which is larger than the first (e.g., 25 inch diameter rather than 17 inch diameter), wherein FIGS. 5-9 are respective top, side, front, bottom and perspective views thereof; FIGS. 10-13 are views of a further and larger embodiment (e.g., 29 inch diameter), wherein these FIGS. 10-13 are respectively top, side, front and bottom views; FIGS. 14-17 are views of a side arm mounted luminaire of the present invention, wherein these FIGS. 14-17 respectively are top, side, back and bottom views; FIGS. 18-22 are views of a larger size arm mounted embodiment wherein these FIGS. 18-22 respectively are top, side, back bottom and perspective view; and, FIGS. 23-26 show a still larger side arm mounted embodiment wherein these FIGS. 23-26 respectively are top, side, back and bottom views.



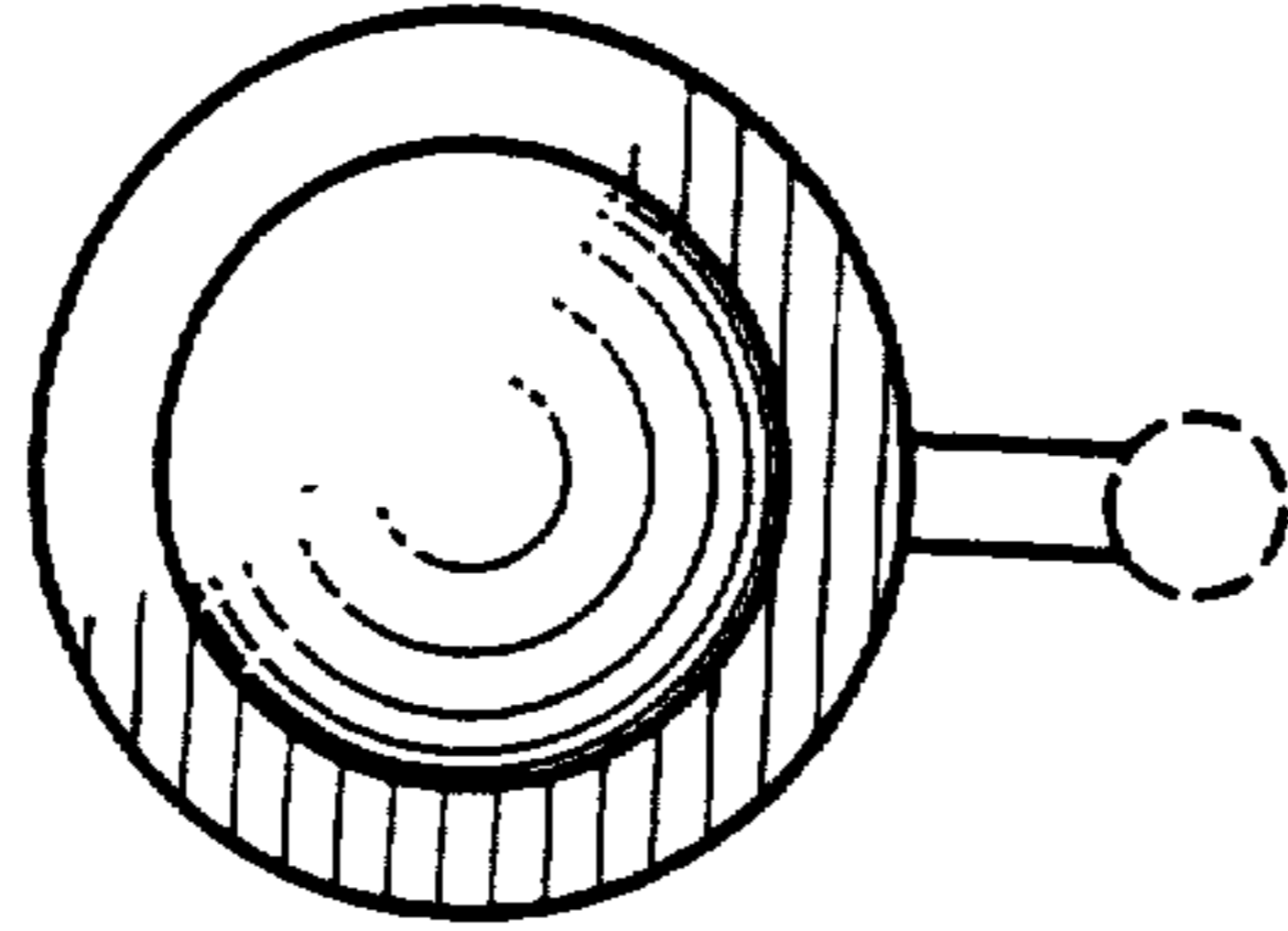


FIG. 14

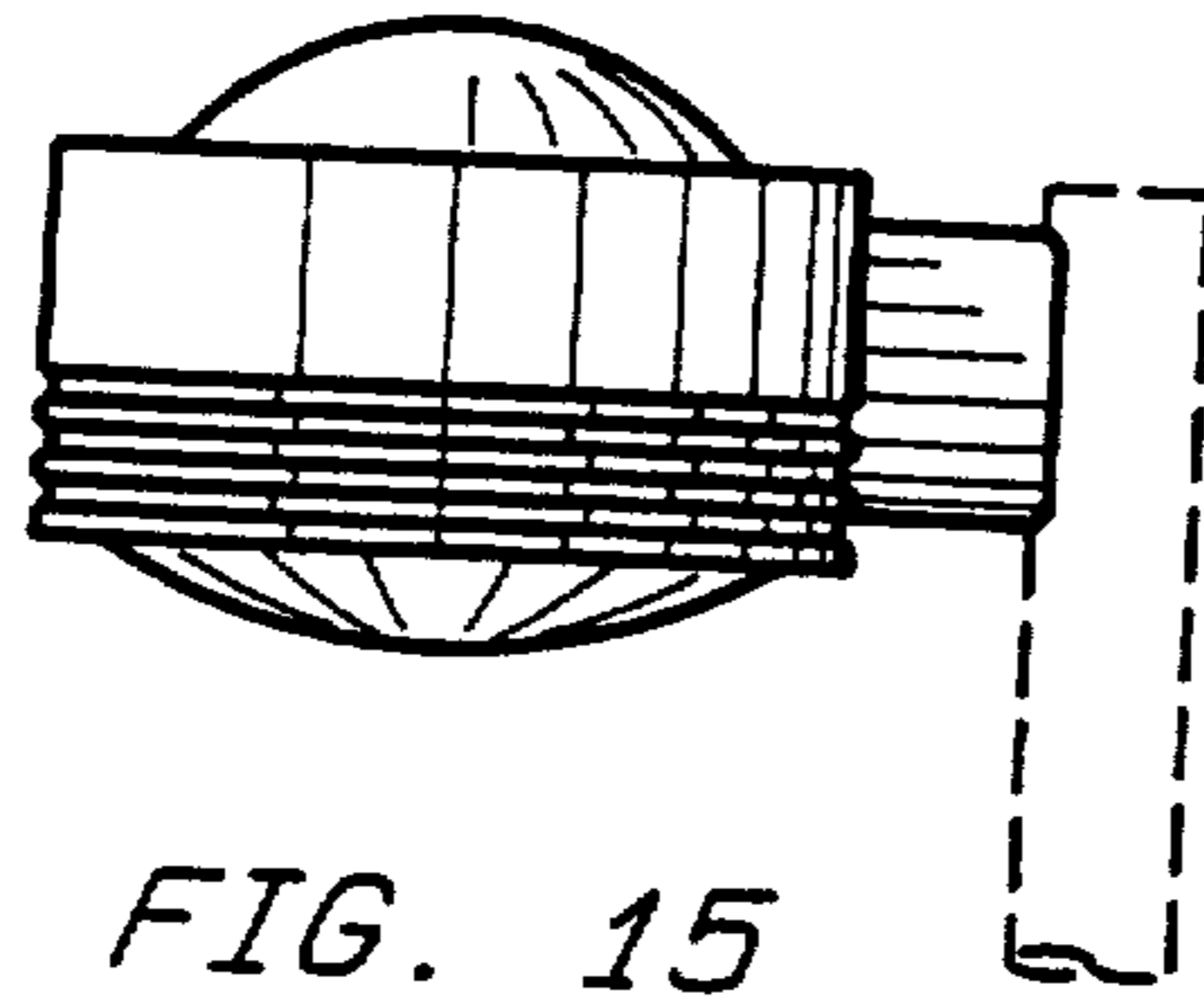


FIG. 15

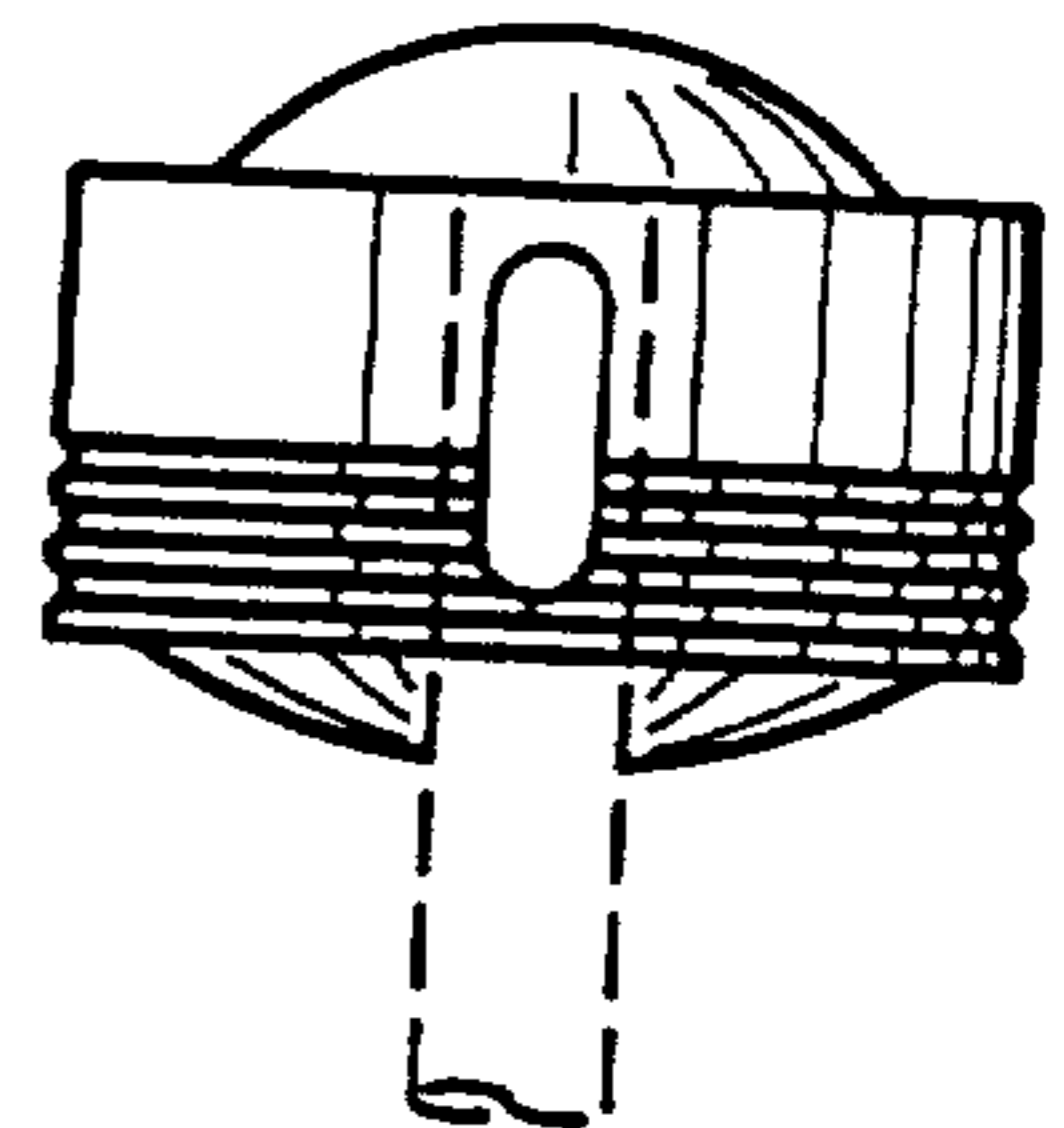


FIG. 16

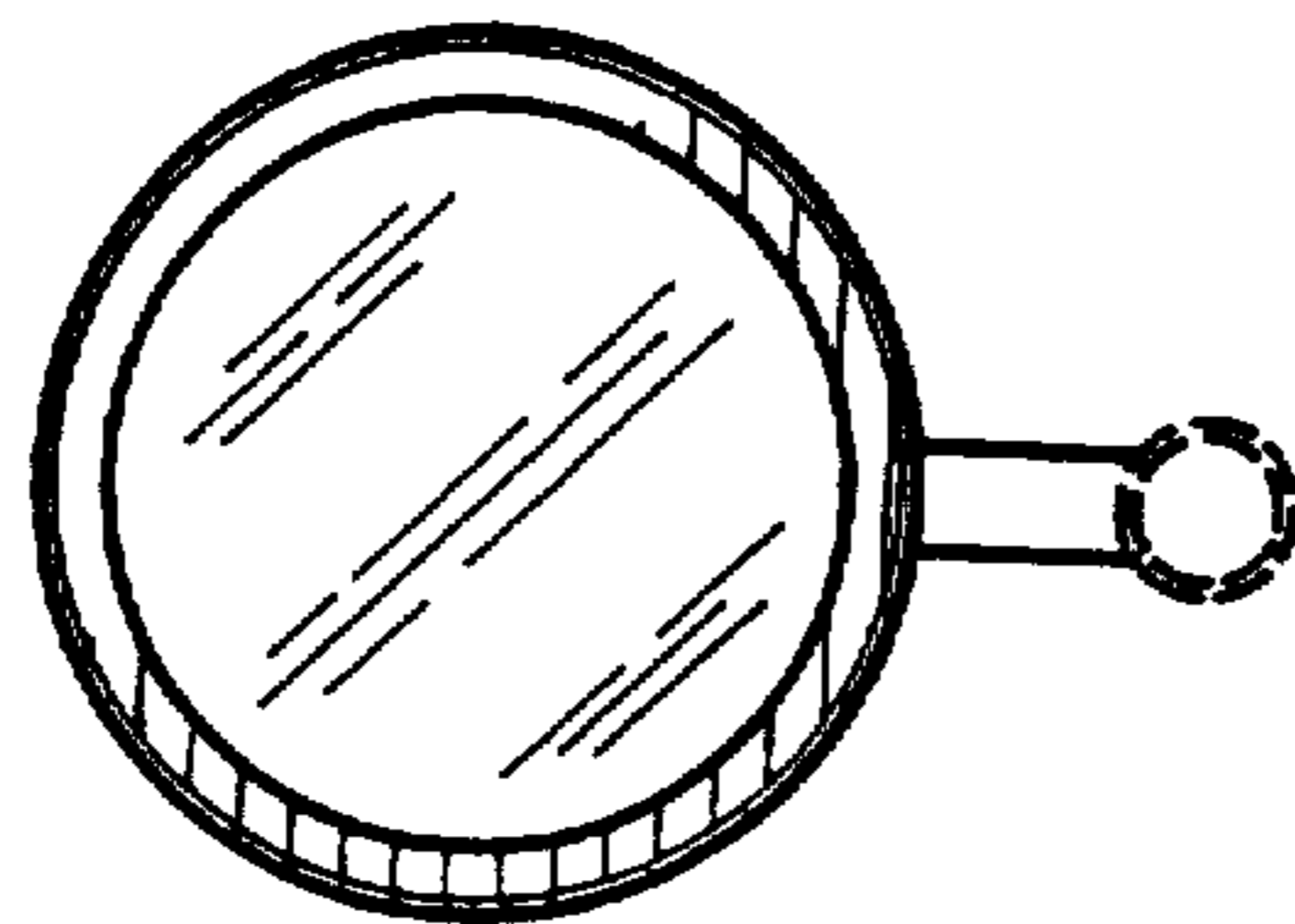


FIG. 17

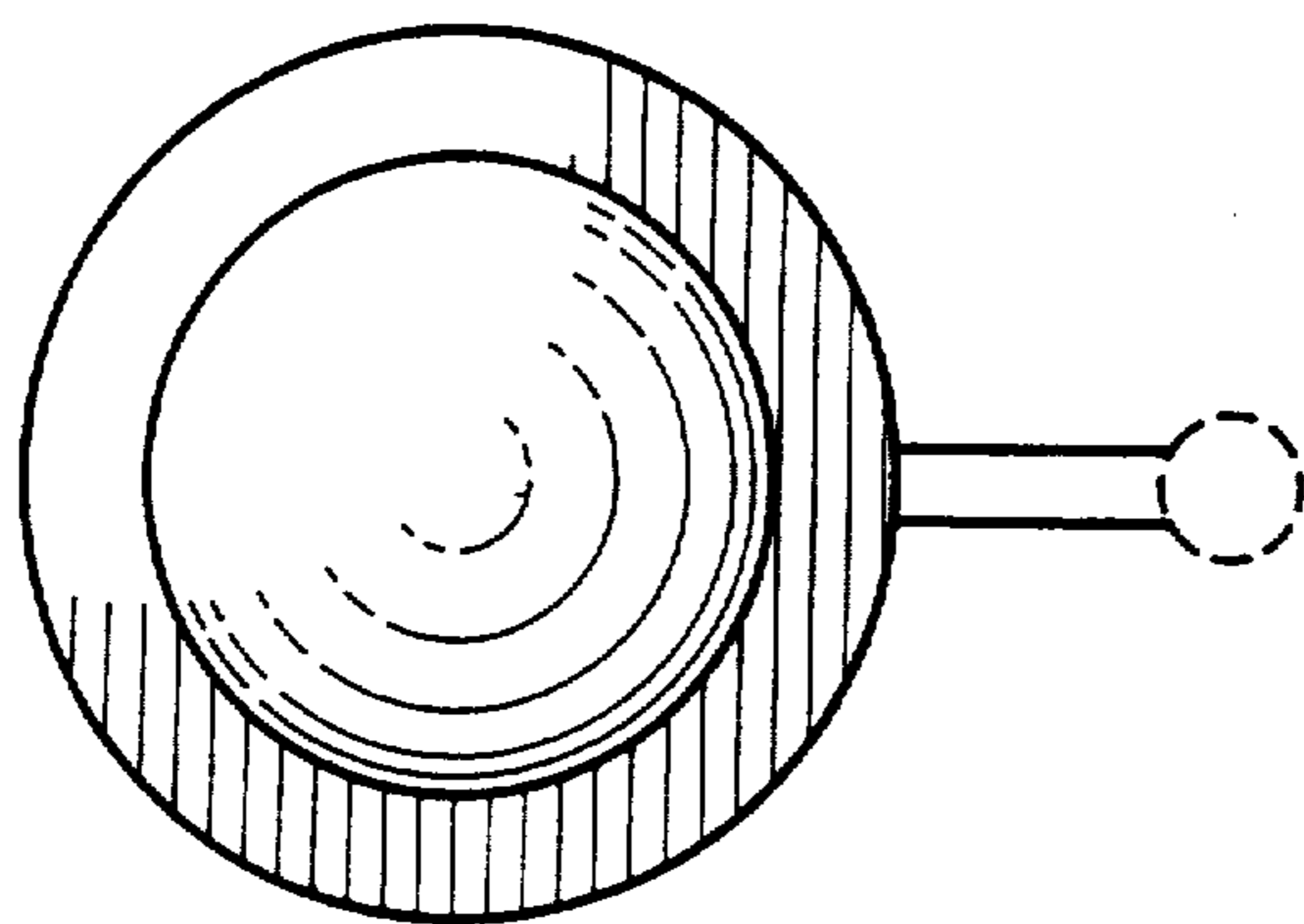


FIG. 18

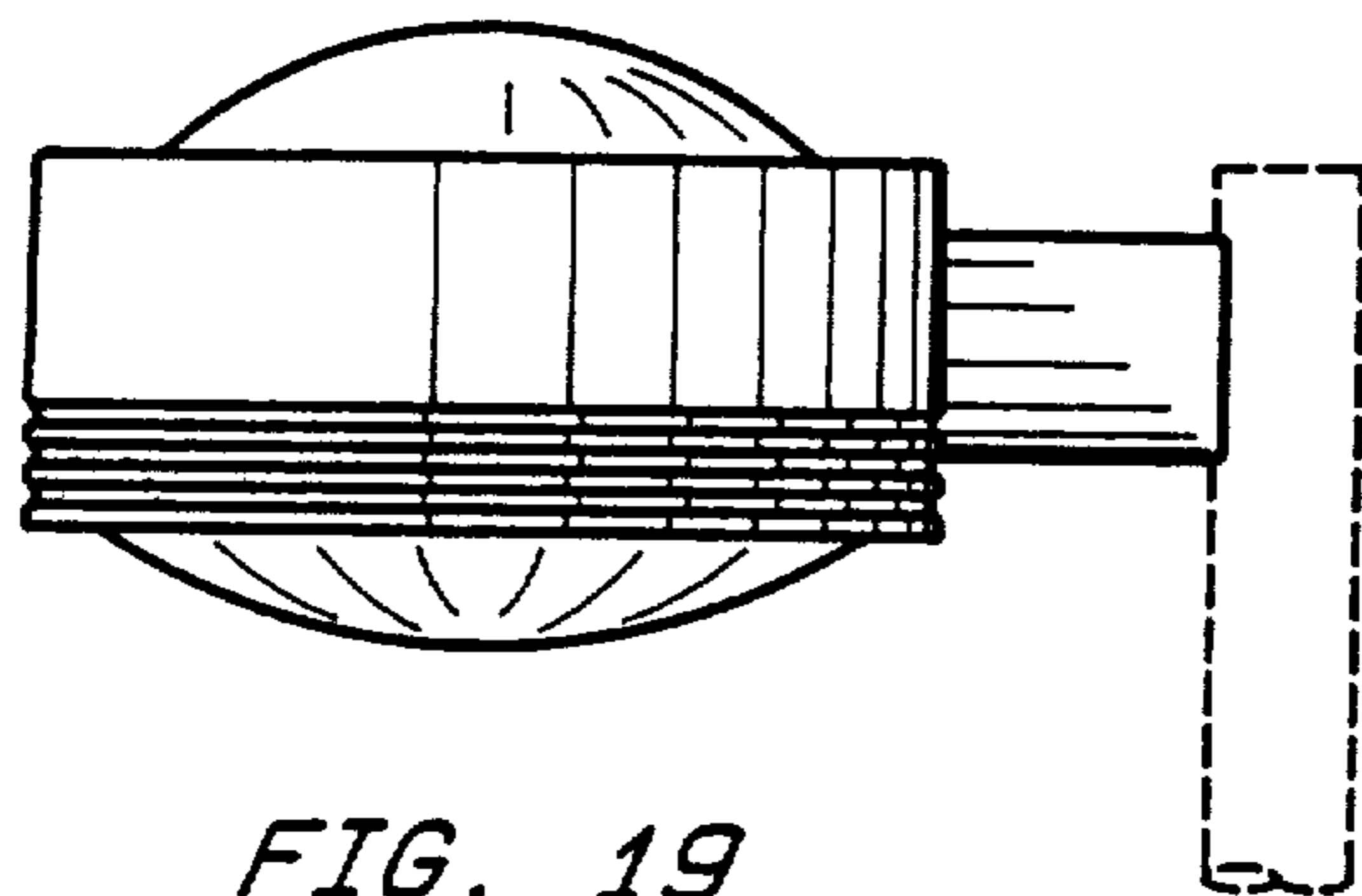


FIG. 19

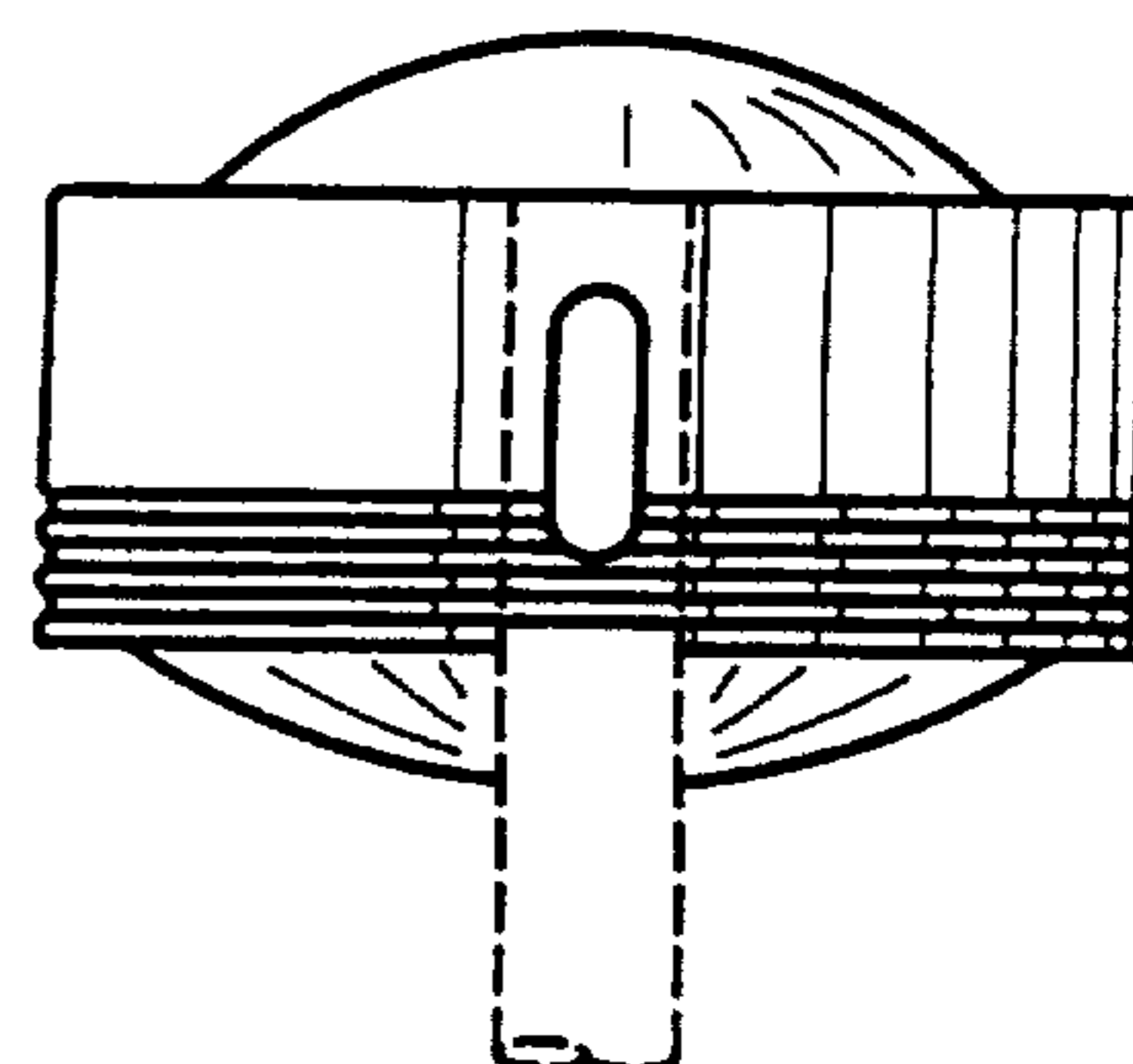


FIG. 20

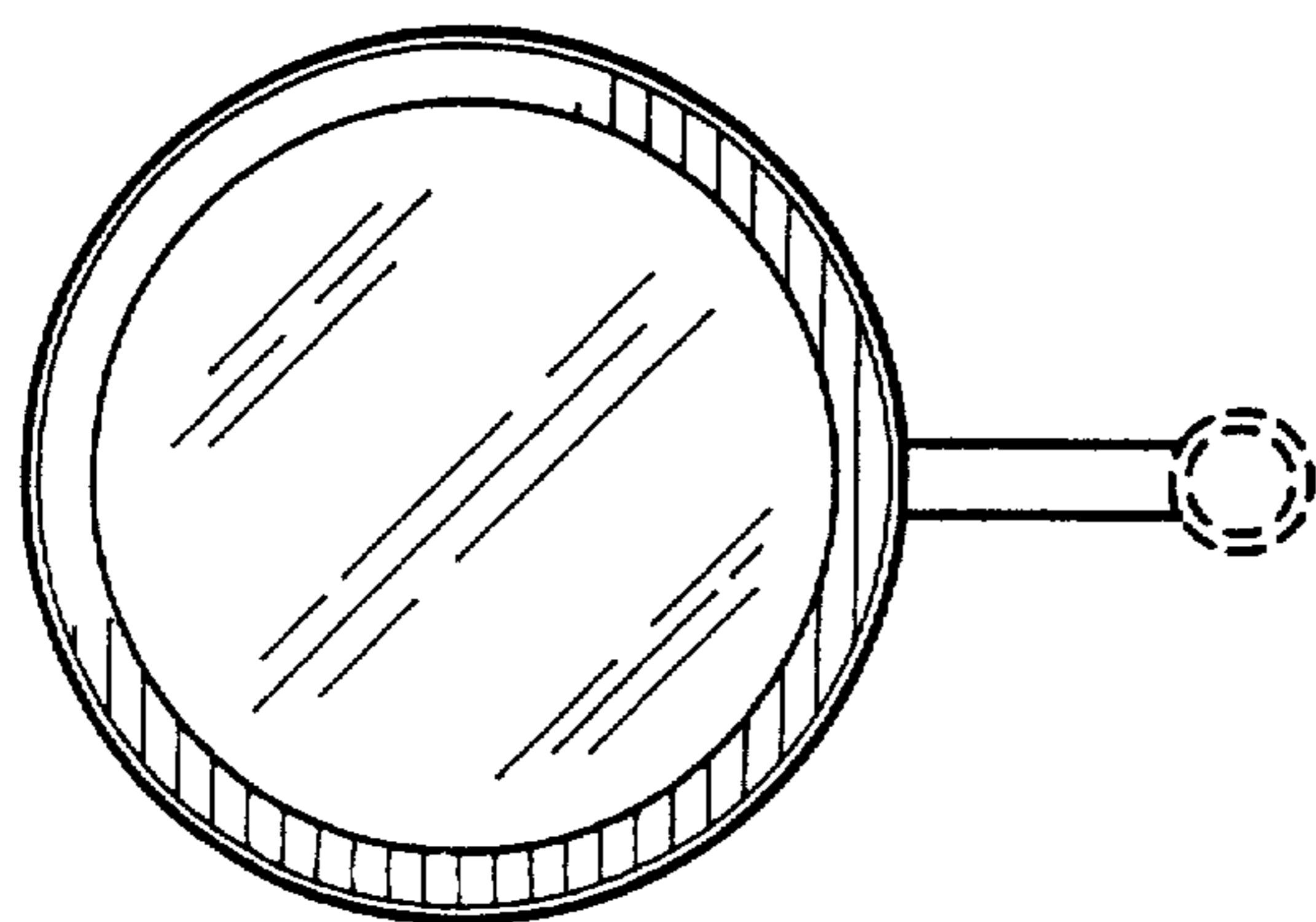


FIG. 21

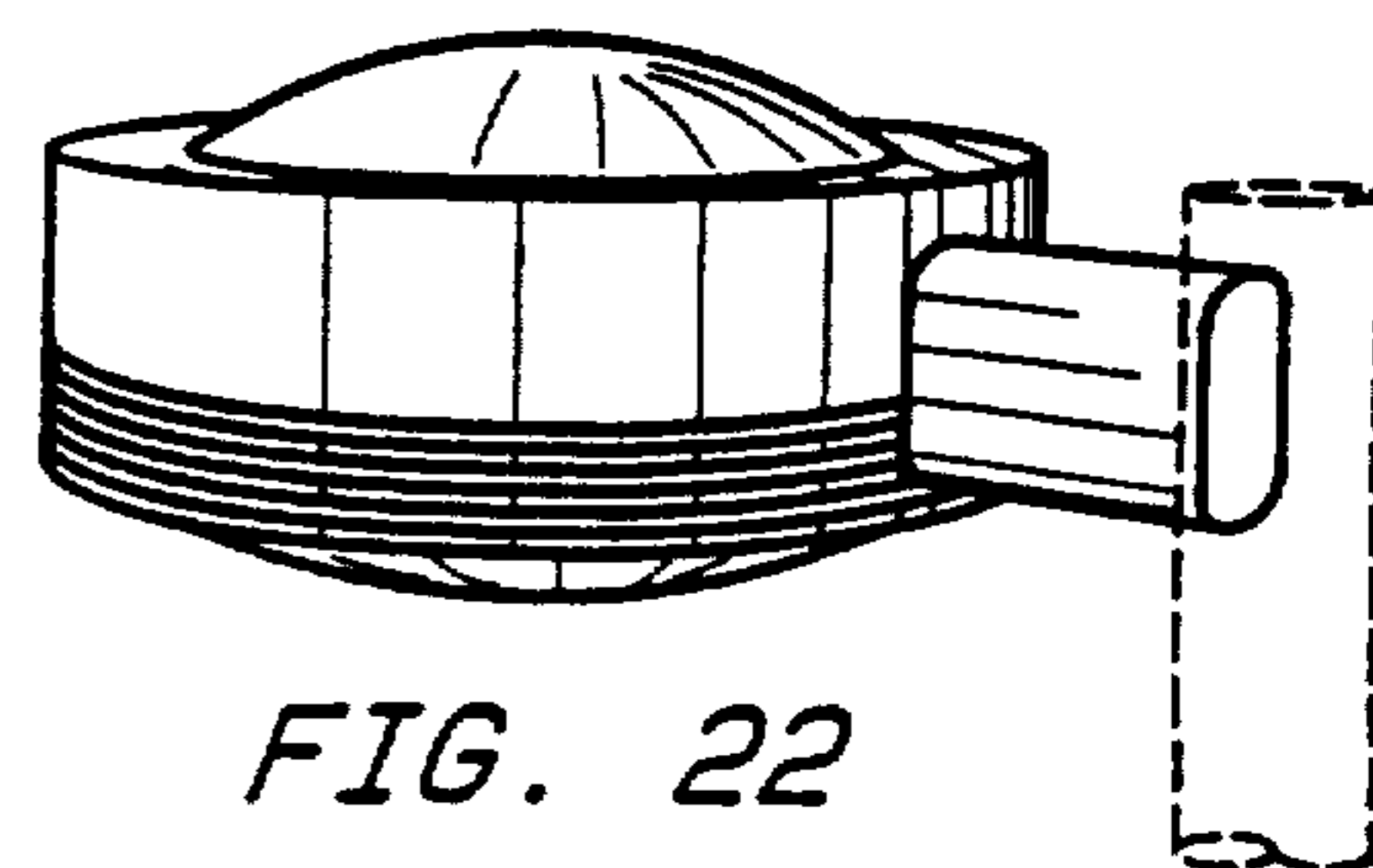


FIG. 22

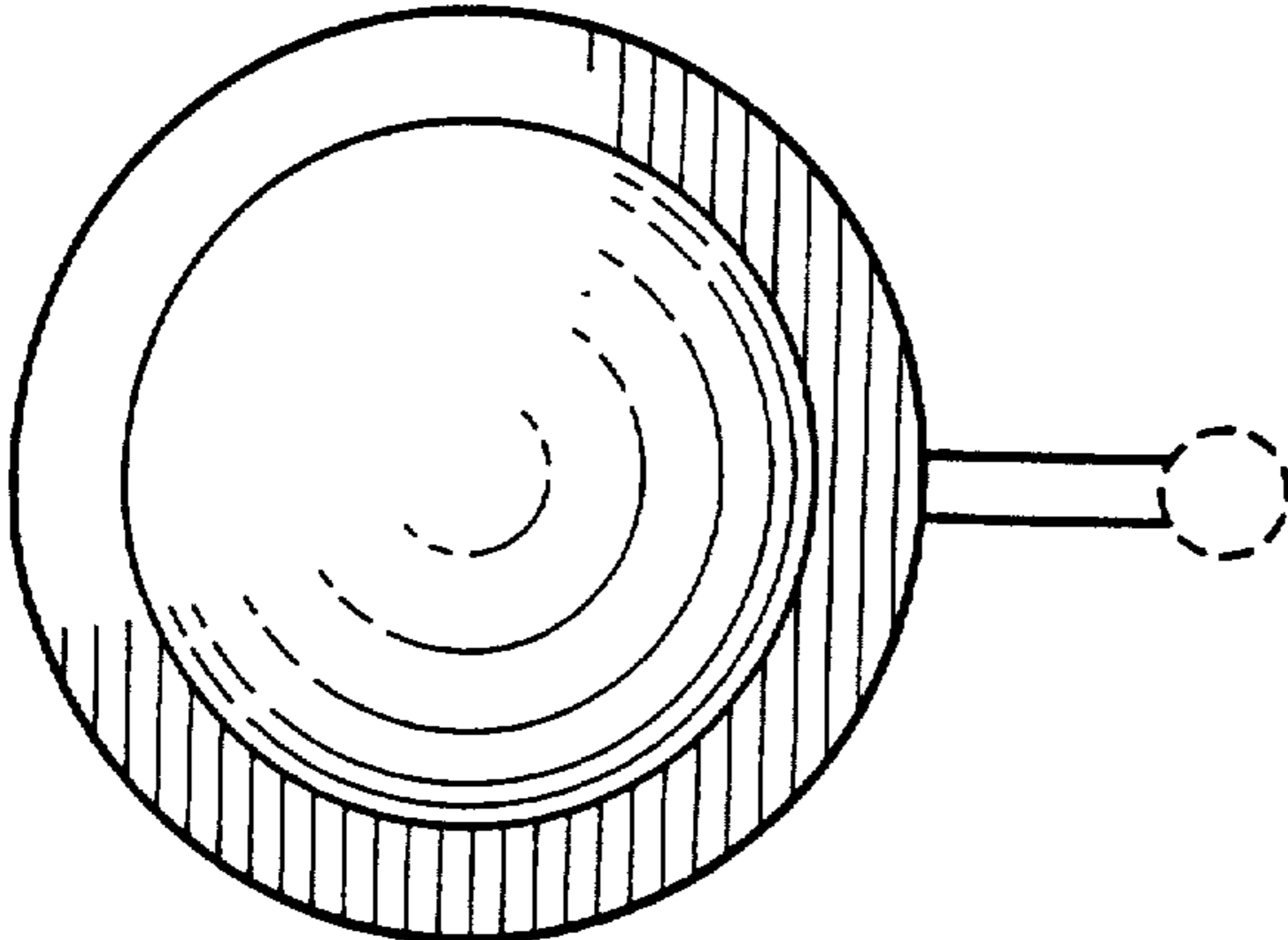


FIG. 23

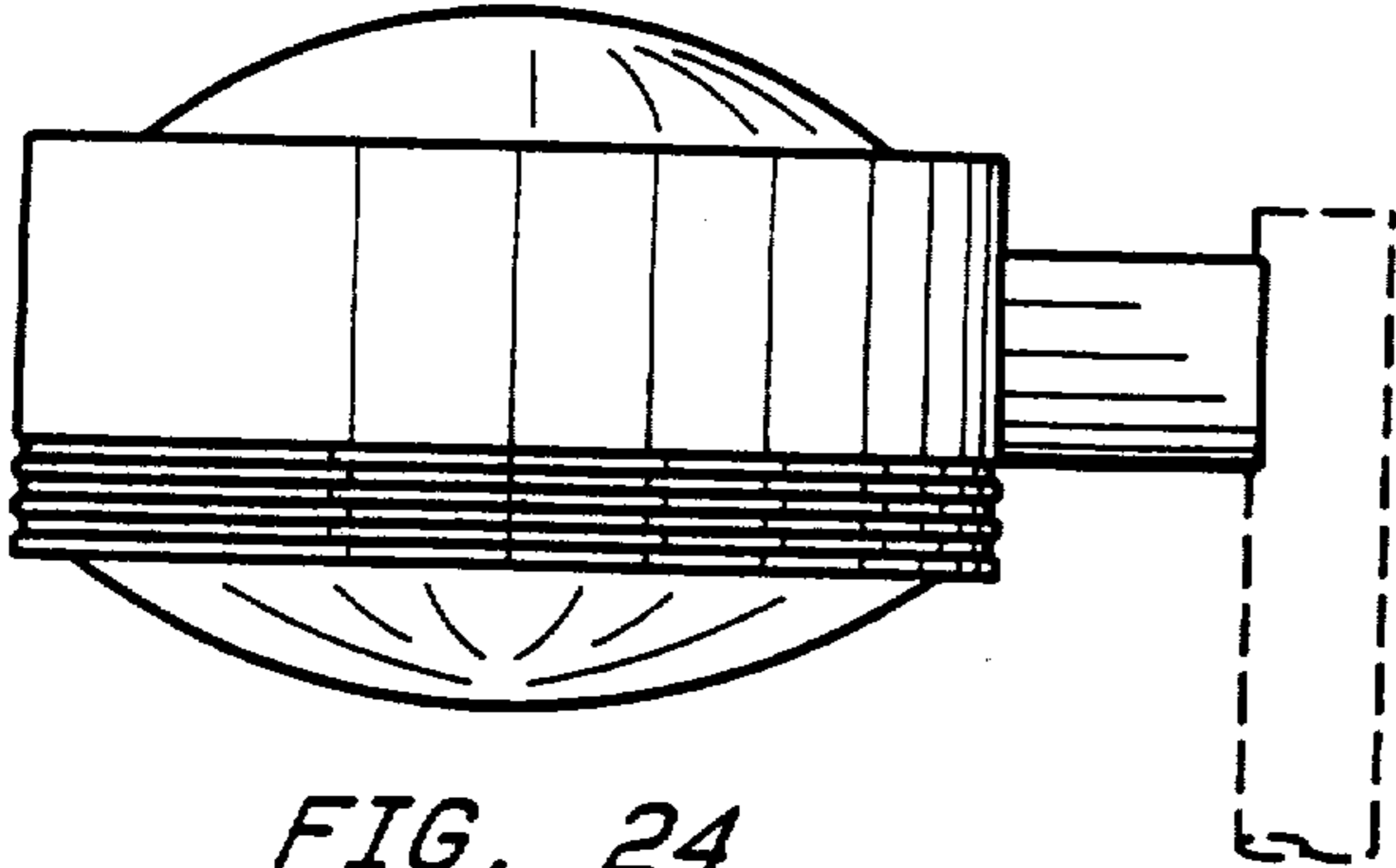


FIG. 24

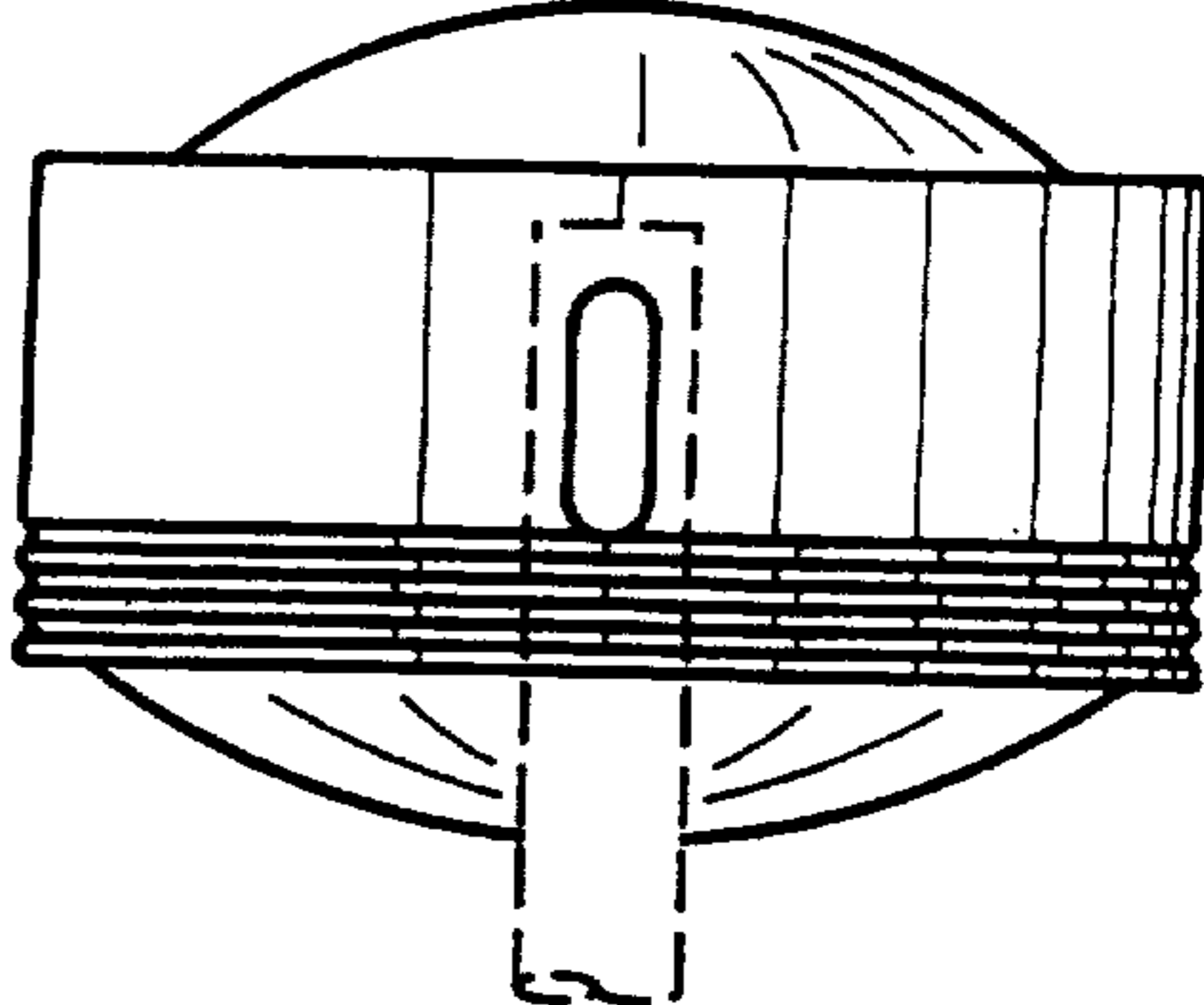


FIG. 25

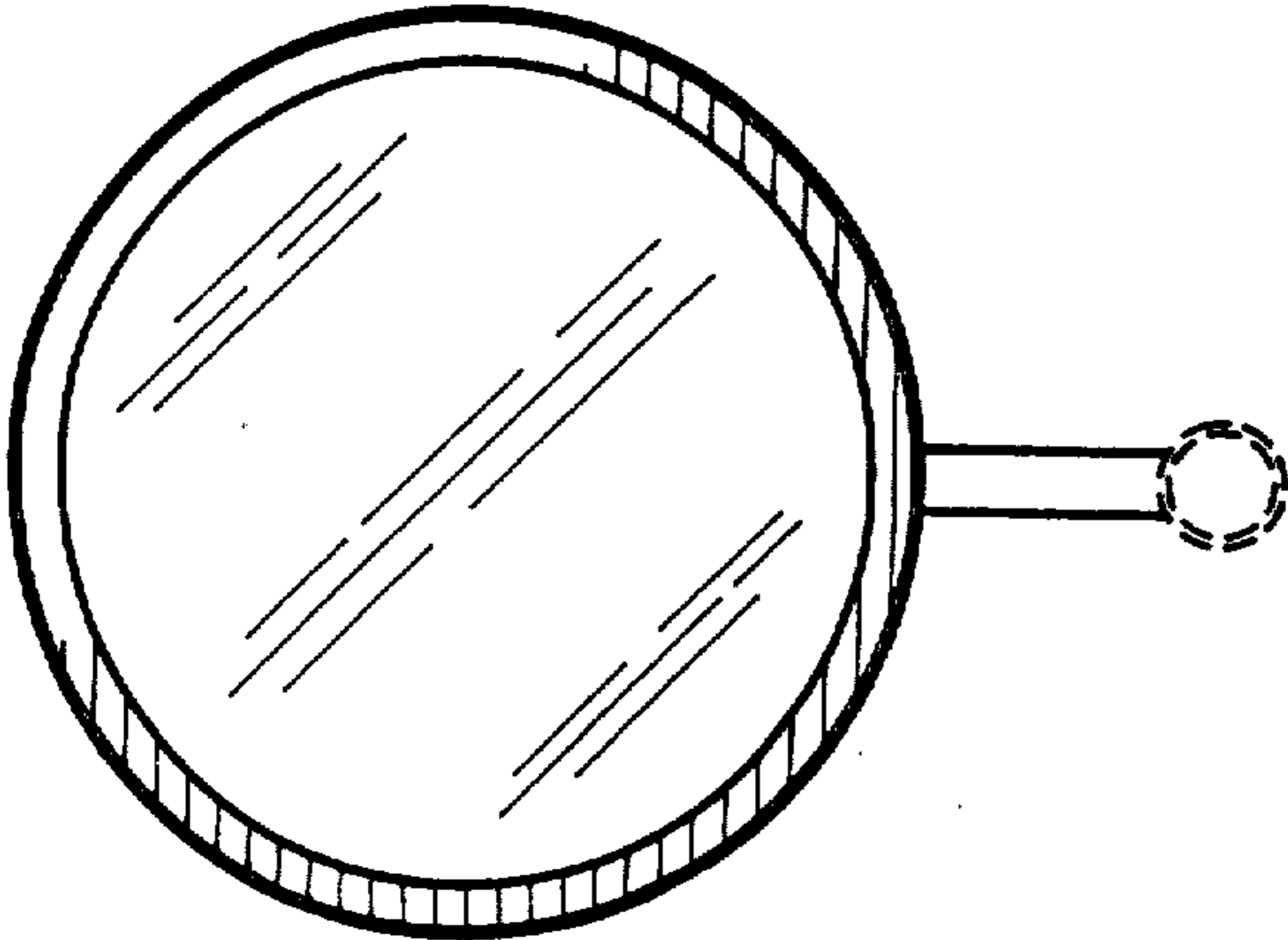


FIG. 26