



US00D358894S

United States Patent [19]

[11] Patent Number: **Des. 358,894**

Ivy et al.

[45] Date of Patent: **** May 30, 1995**

[54] **ROLLING HANDGRIP MASSAGER**

1,111,427 9/1914 Archibald 601/119
2,273,710 2/1942 Klaes 601/119

[75] Inventors: **Donald Ivy**, Waynesboro; **Ira Hajjar**, Hattiesburg, both of Miss.; **Jim Robertson**, Chicago, Ill.

Primary Examiner—Stella Reid
Attorney, Agent, or Firm—Michael J. Kline; Darren E. Wolf; Carol I. Bordas

[73] Assignee: **Sunbeam**, Fort Lauderdale, Fla.

[57] **CLAIM**

[**] Term: **14 Years**

The ornamental design for a rolling handgrip massager, as shown and described.

[21] Appl. No.: **27,542**

DESCRIPTION

[22] Filed: **Aug. 24, 1994**

[52] U.S. Cl. **D24/211; D24/214**

[58] Field of Search **D24/211, 200, 212, 214, D24/215; 601/119, 120, 73, 20**

FIG. 1 is an isometric view of a massager in accordance with the present invention;

FIG. 2 is a top plan view of the massager of FIG. 1;

FIG. 3 is a bottom plan view of the massager of FIG. 1;

FIG. 4 is a left side elevational view of the massager of FIG. 1;

FIG. 5 is a right side elevational view of the massager of FIG. 1;

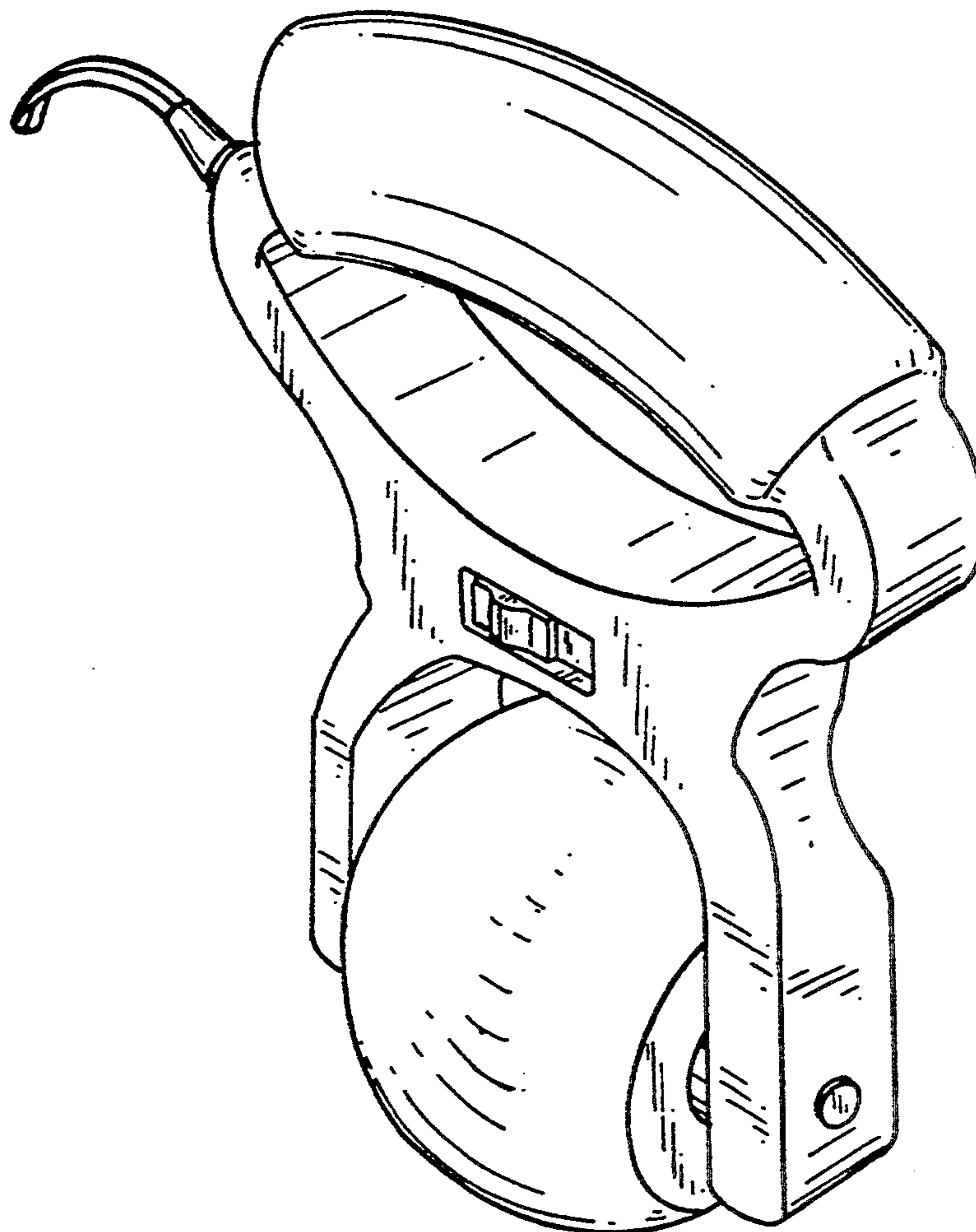
FIG. 6 is a front side elevational view of the massager of FIG. 1; and,

FIG. 7 is a rear side elevational view of the massager of FIG. 1.

[56] References Cited

U.S. PATENT DOCUMENTS

- D. 182,123 2/1958 Kaliski .
- D. 276,652 12/1984 O'Brien et al. .
- D. 285,724 9/1986 Grundler et al. .
- D. 293,471 12/1987 Sato .
- 1,103,669 7/1914 Gibbs 601/20



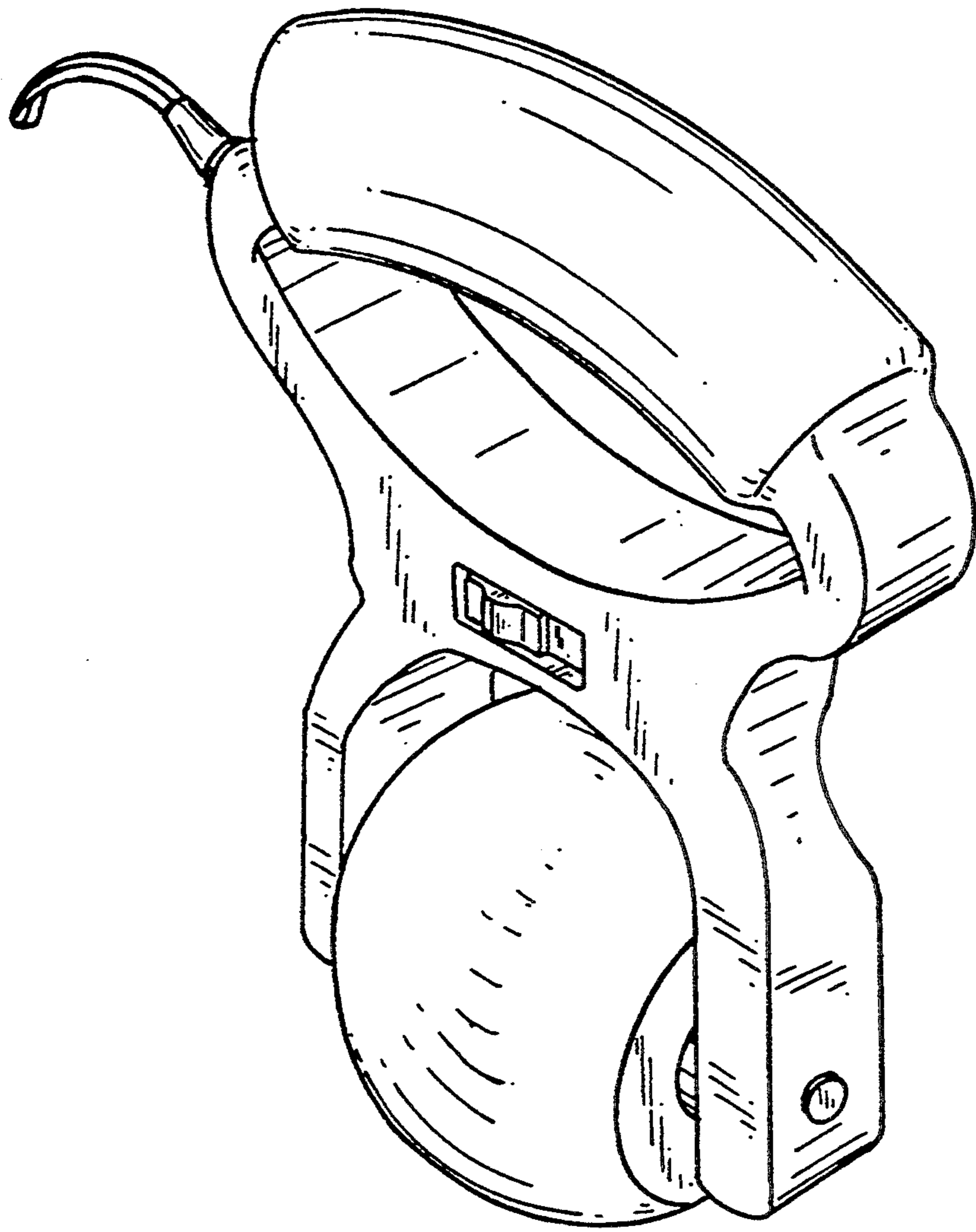


FIG. 1

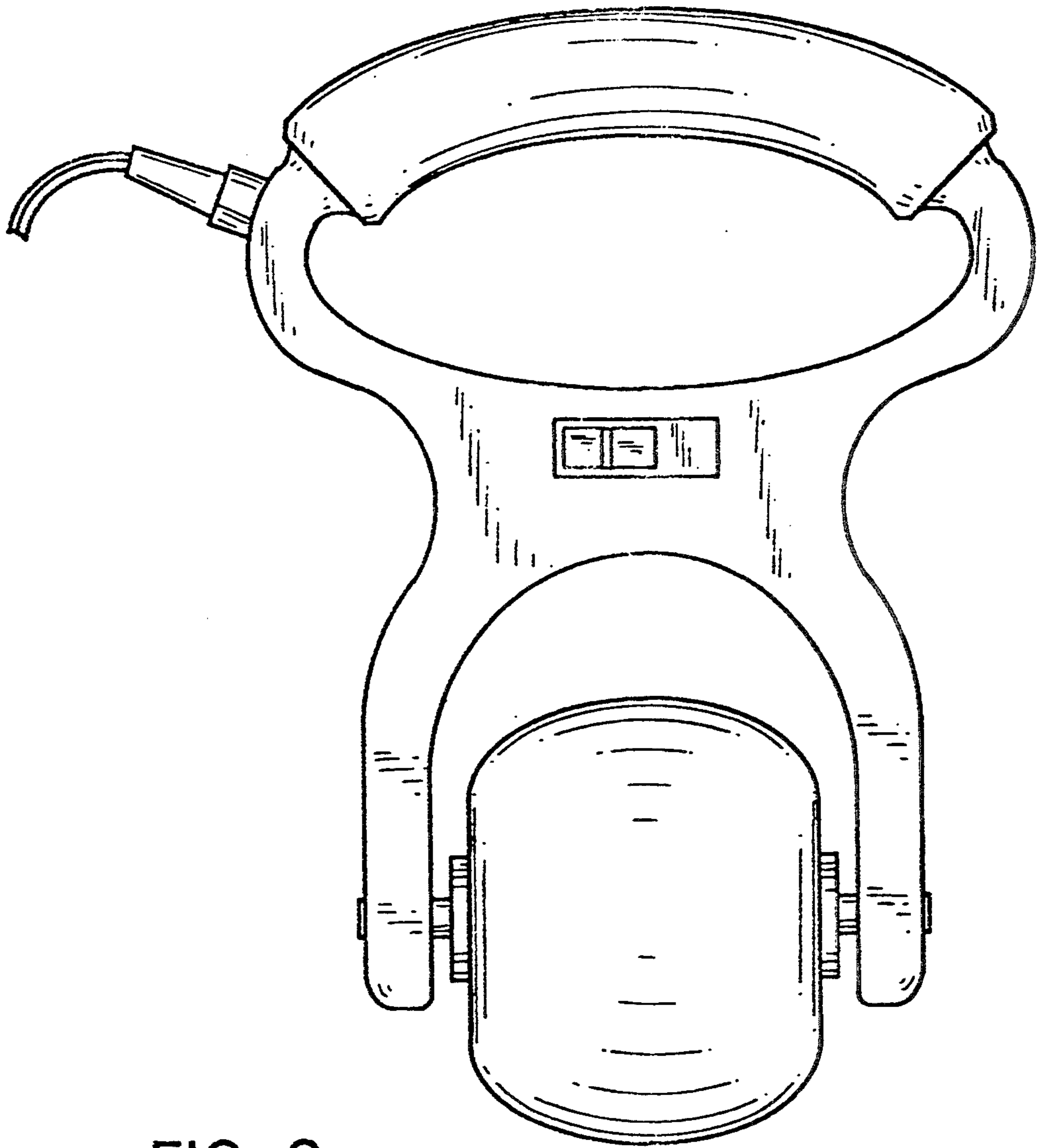


FIG. 2

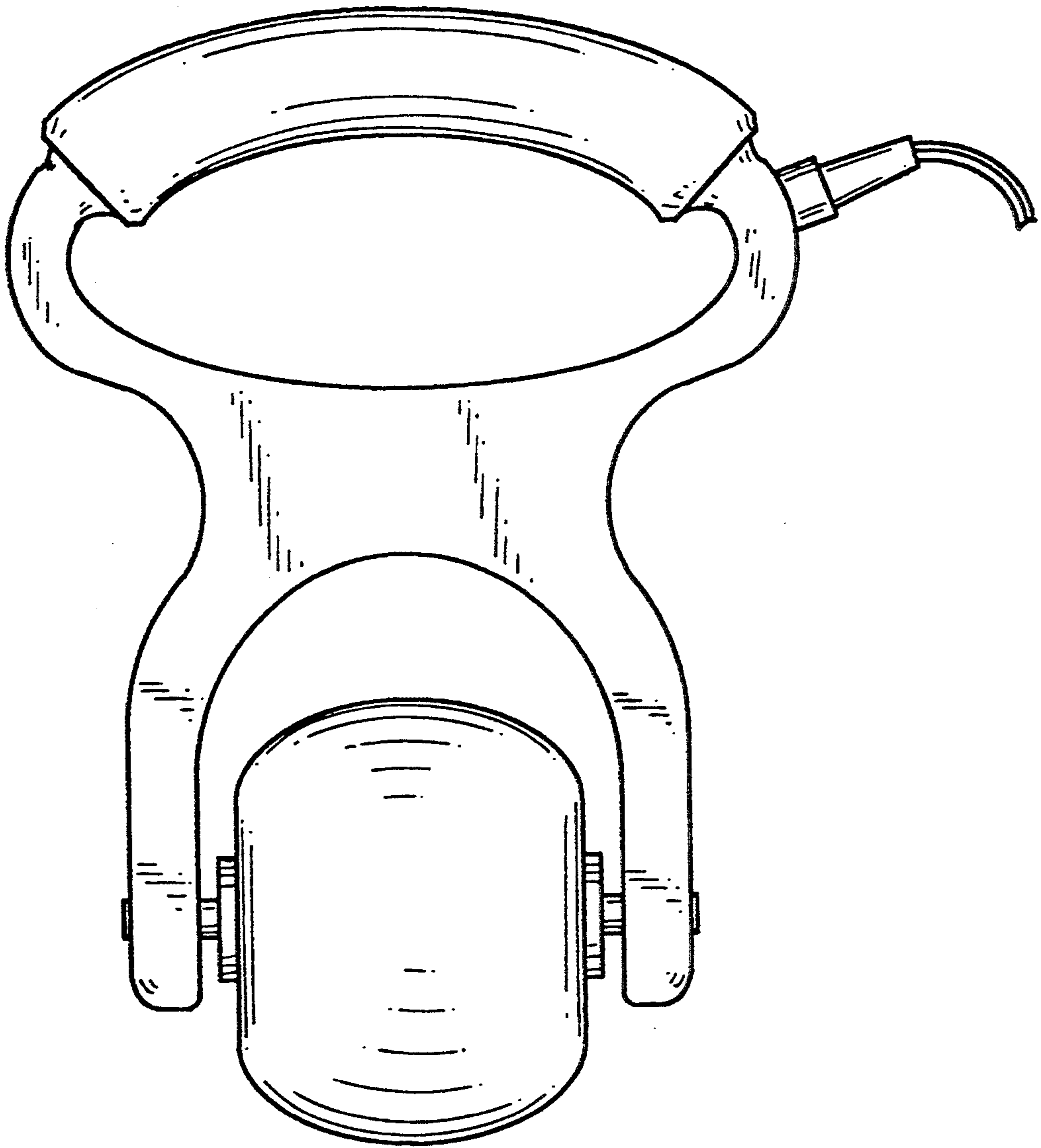


FIG. 3

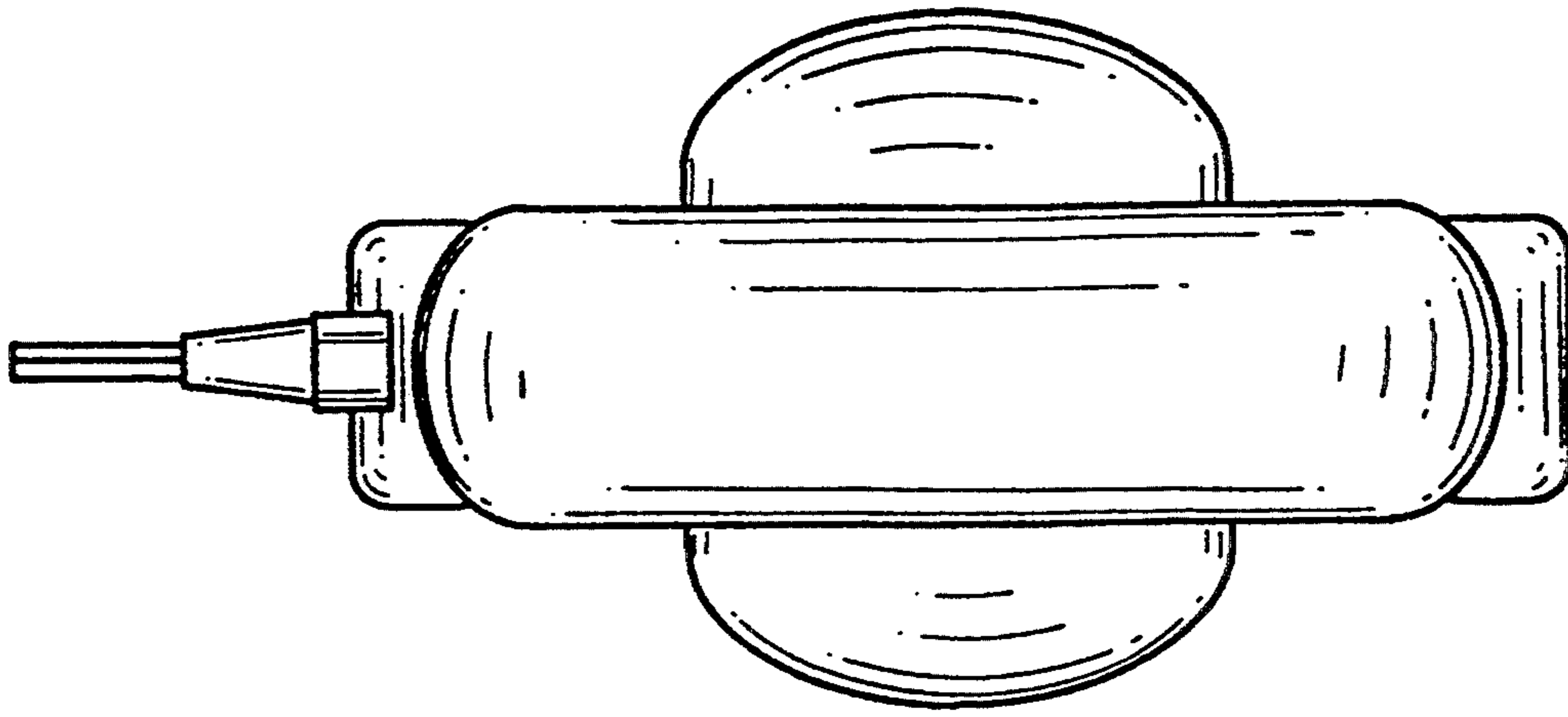


FIG. 4

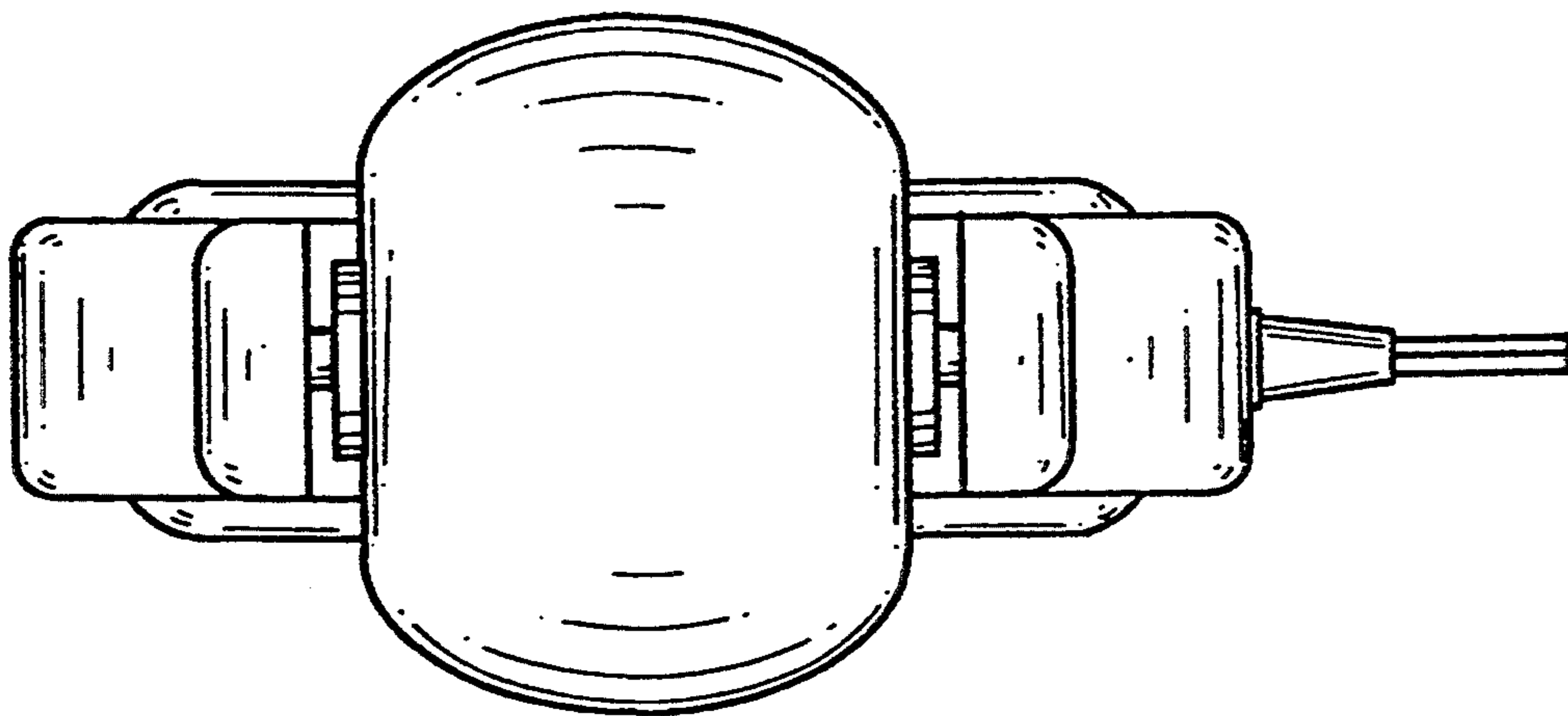


FIG. 5

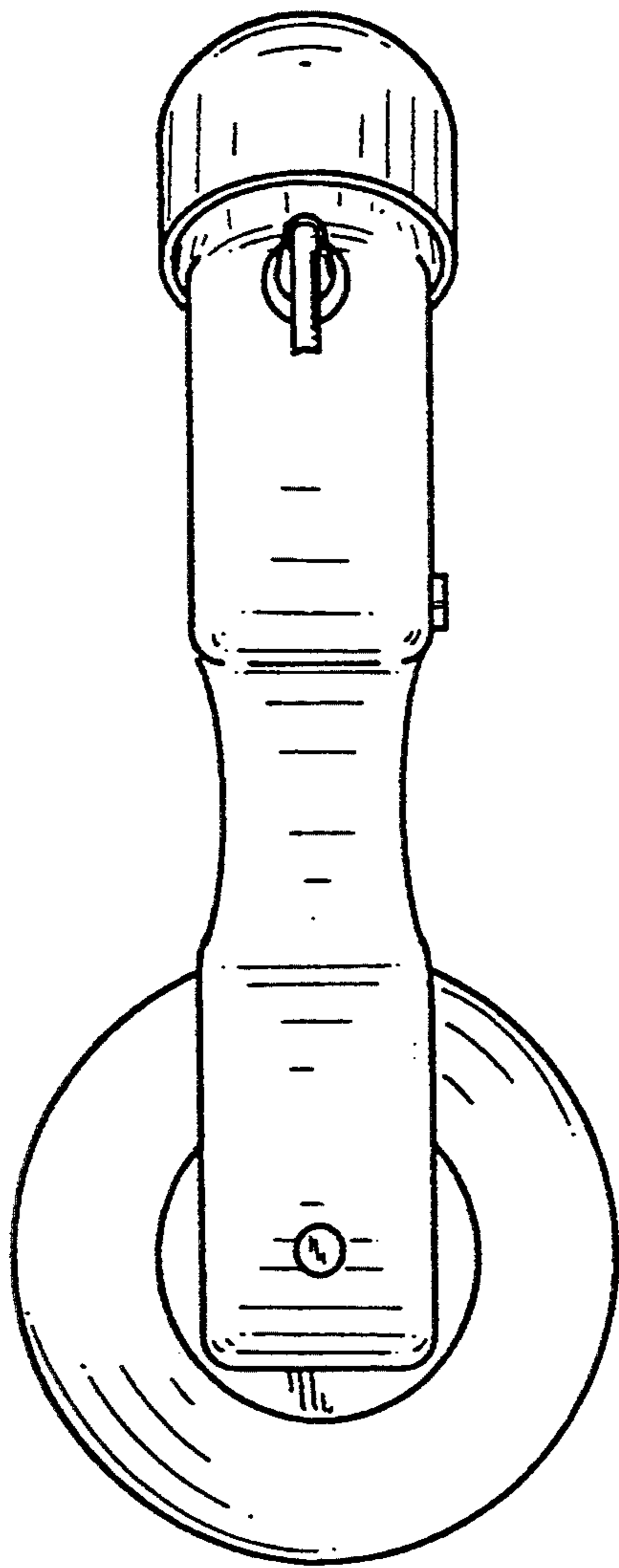


FIG. 6

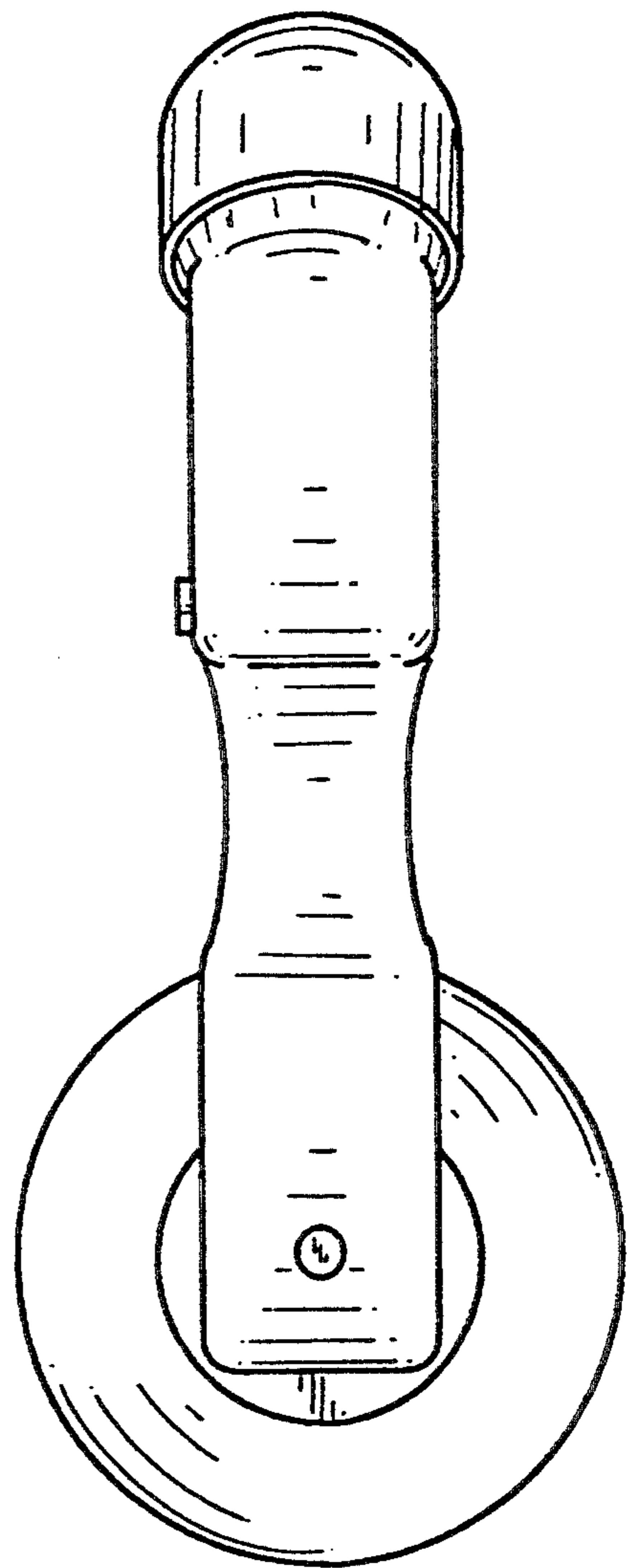


FIG. 7