



US00D358893S

United States Patent [19]

[11] Patent Number: **Des. 358,893**

Irelan

[45] Date of Patent: **** May 30, 1995**

[54] **BABY BOTTLE SUPPORT**

[76] Inventor: **Jeff Irelan**, 15 S. Elm Grove Rd.,
Lapeer, Mich. 48446

[**] Term: **14 Years**

[21] Appl. No.: **25,178**

[22] Filed: **Jul. 6, 1994**

[52] U.S. Cl. **D24/199**

[58] Field of Search **D24/199; 248/102-107**

[56] **References Cited**

U.S. PATENT DOCUMENTS

D. 198,488	6/1964	Reis	D24/199
D. 282,969	3/1986	Sukoff	D24/199
D. 299,535	1/1989	James	D24/199
D. 310,418	9/1990	Tribolet	D24/199
2,451,846	10/1948	Love et al.	248/105

4,296,902 10/1981 Dachtler .
4,809,938 3/1989 Skinner .
4,953,816 9/1990 Wilkinson .

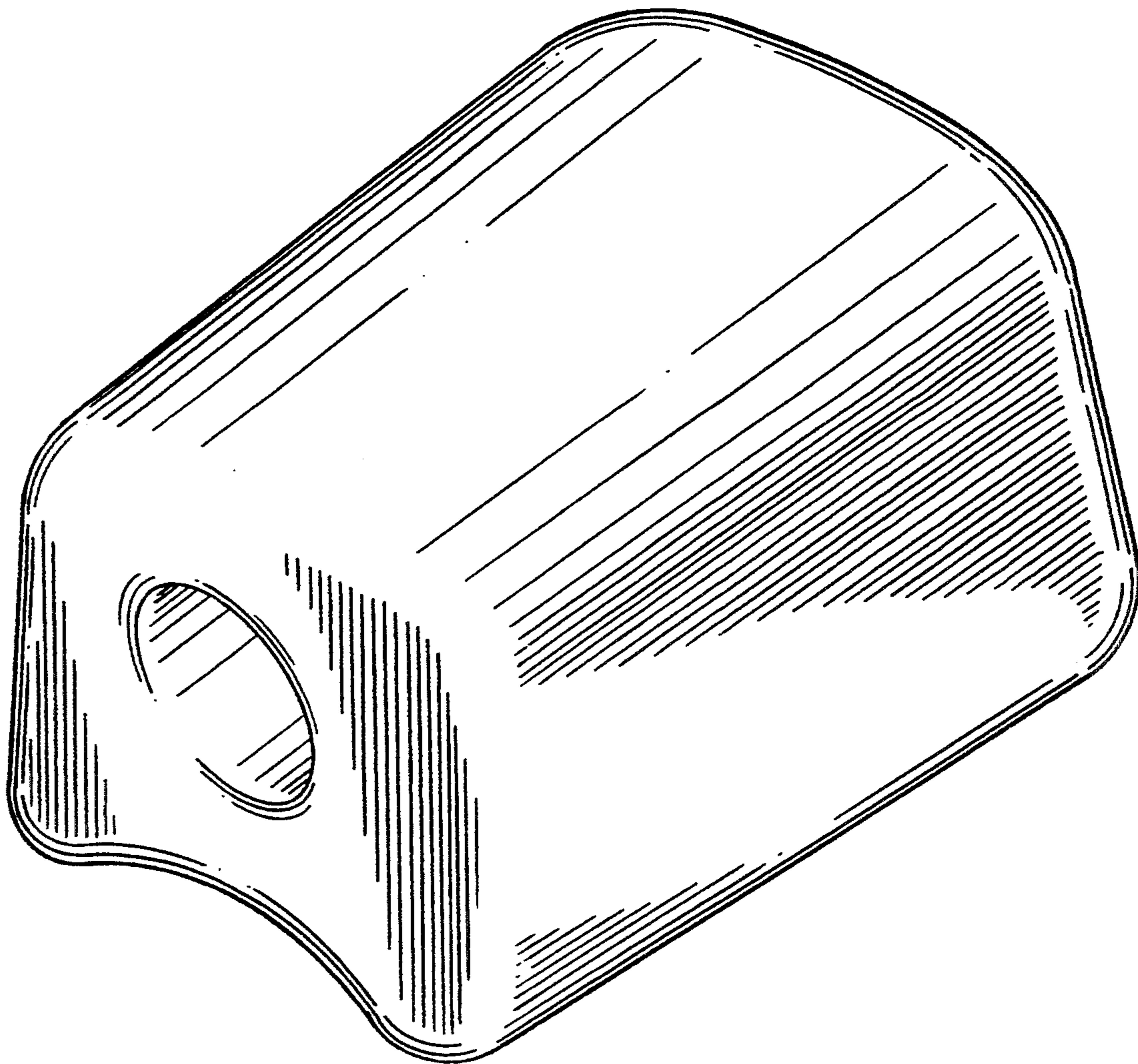
Primary Examiner—Stella Reid
Attorney, Agent, or Firm—Terry M. Gernstein

[57] **CLAIM**

The ornamental design for a baby bottle support, as shown and described.

DESCRIPTION

FIG. 1 is a front, top and side perspective view of the baby bottle support showing my new design; FIG. 2 is a front elevational view thereof; FIG. 3 is a rear elevational view thereof; FIG. 4 is a side elevational view thereof, the side opposite being a mirror image of the side shown in FIG. 4; FIG. 5 is a top plan view thereof; and, FIG. 6 is a bottom plan view thereof.



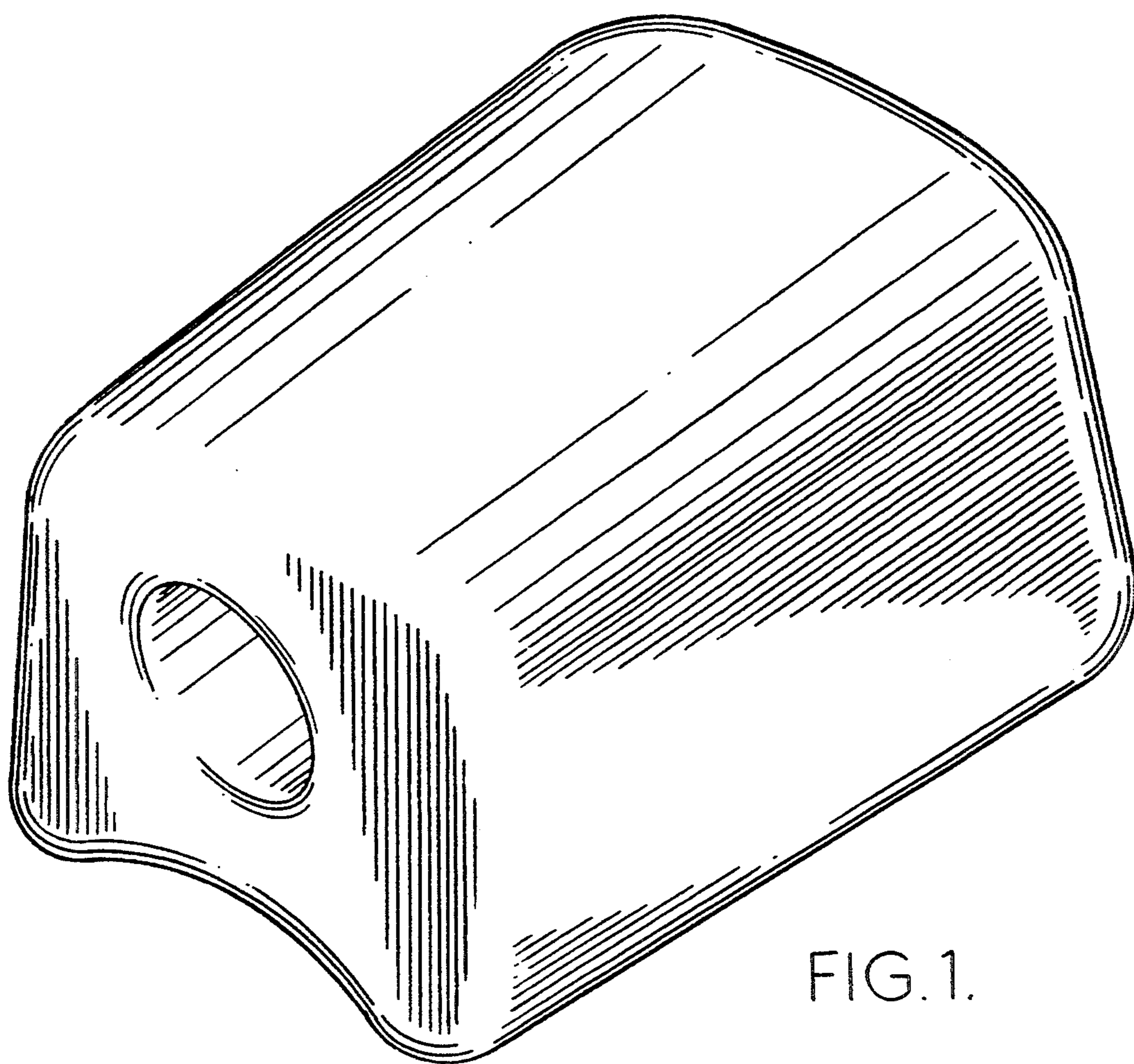


FIG. 1.

FIG. 2.

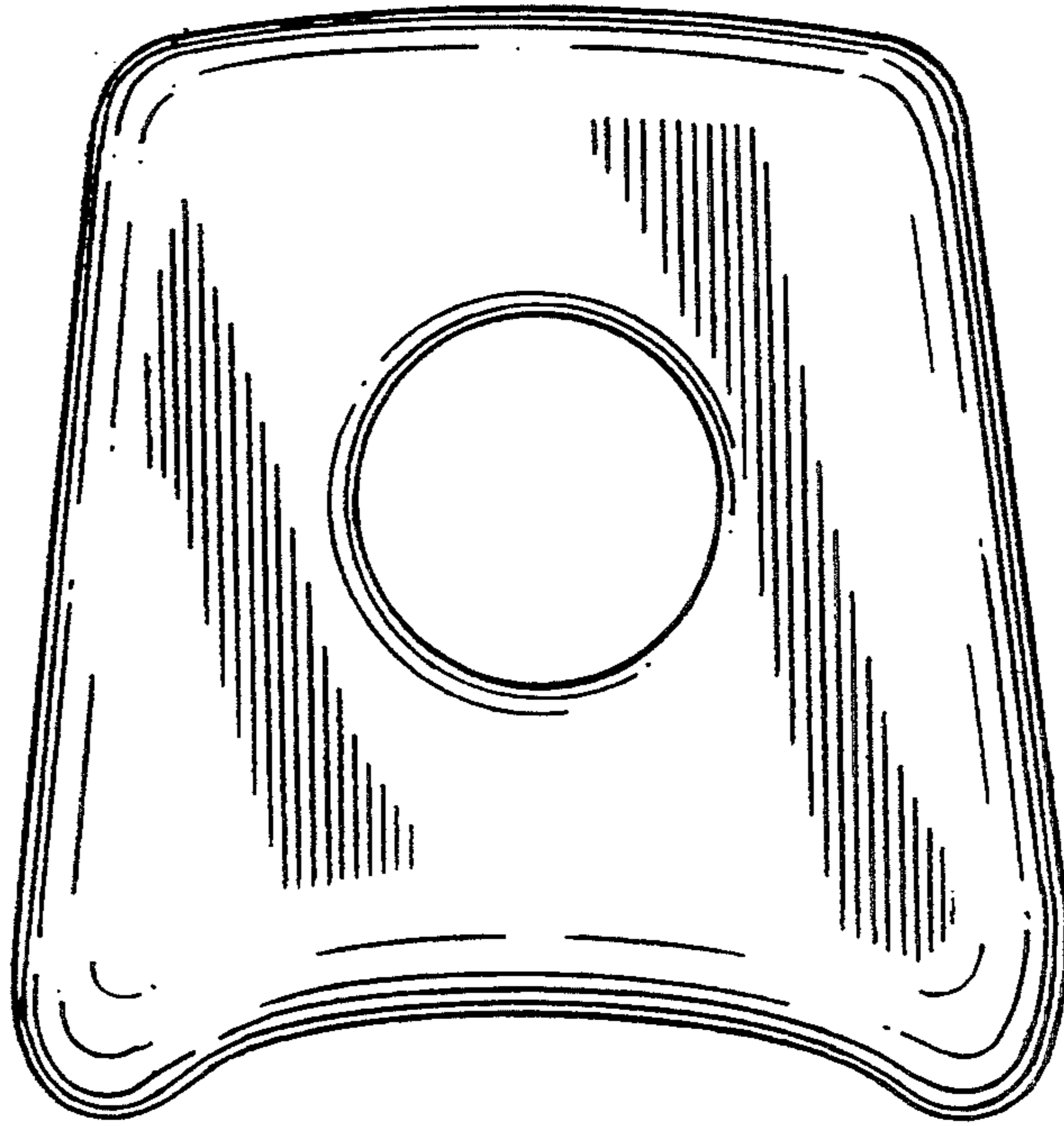
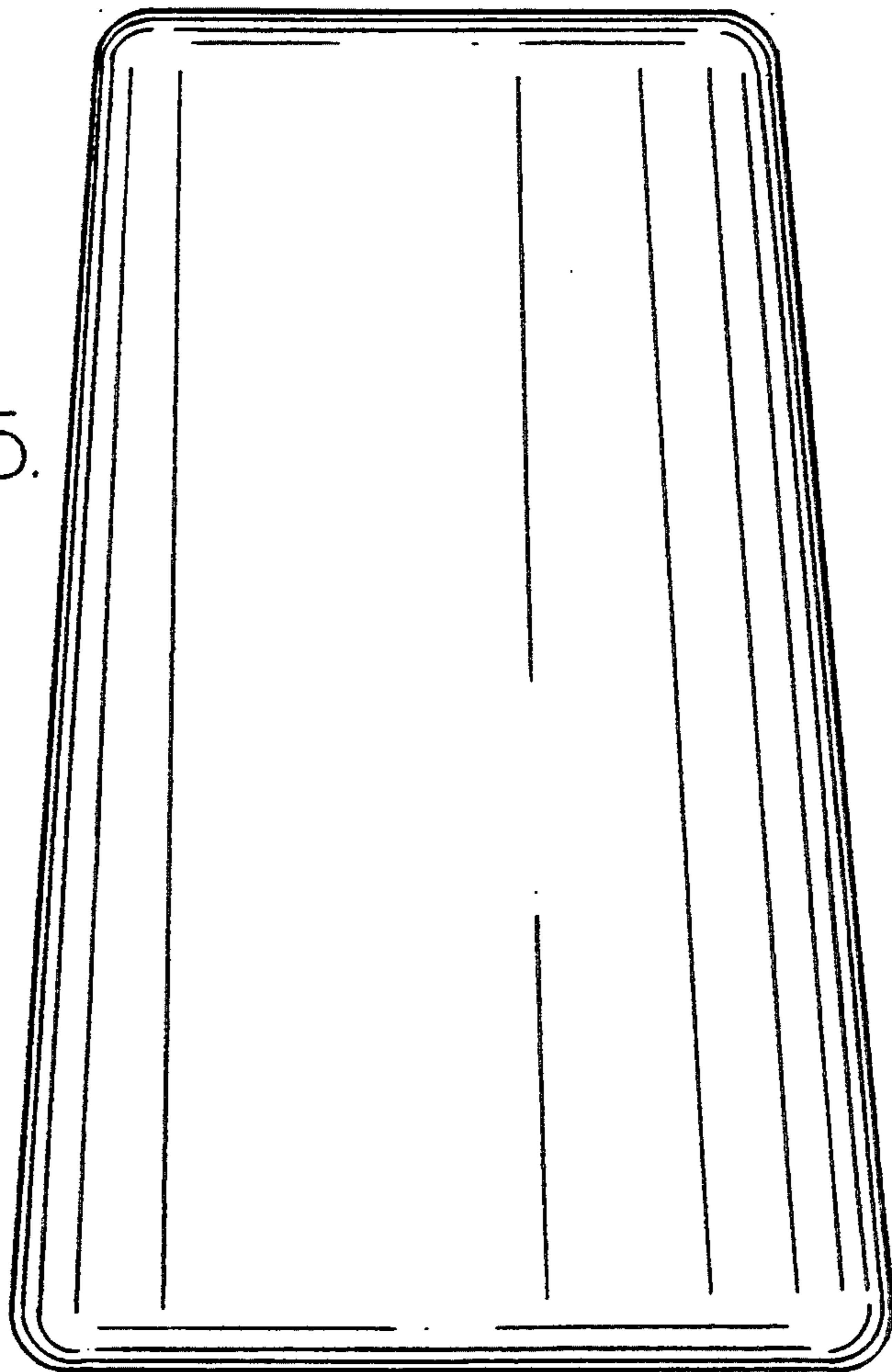


FIG. 5.



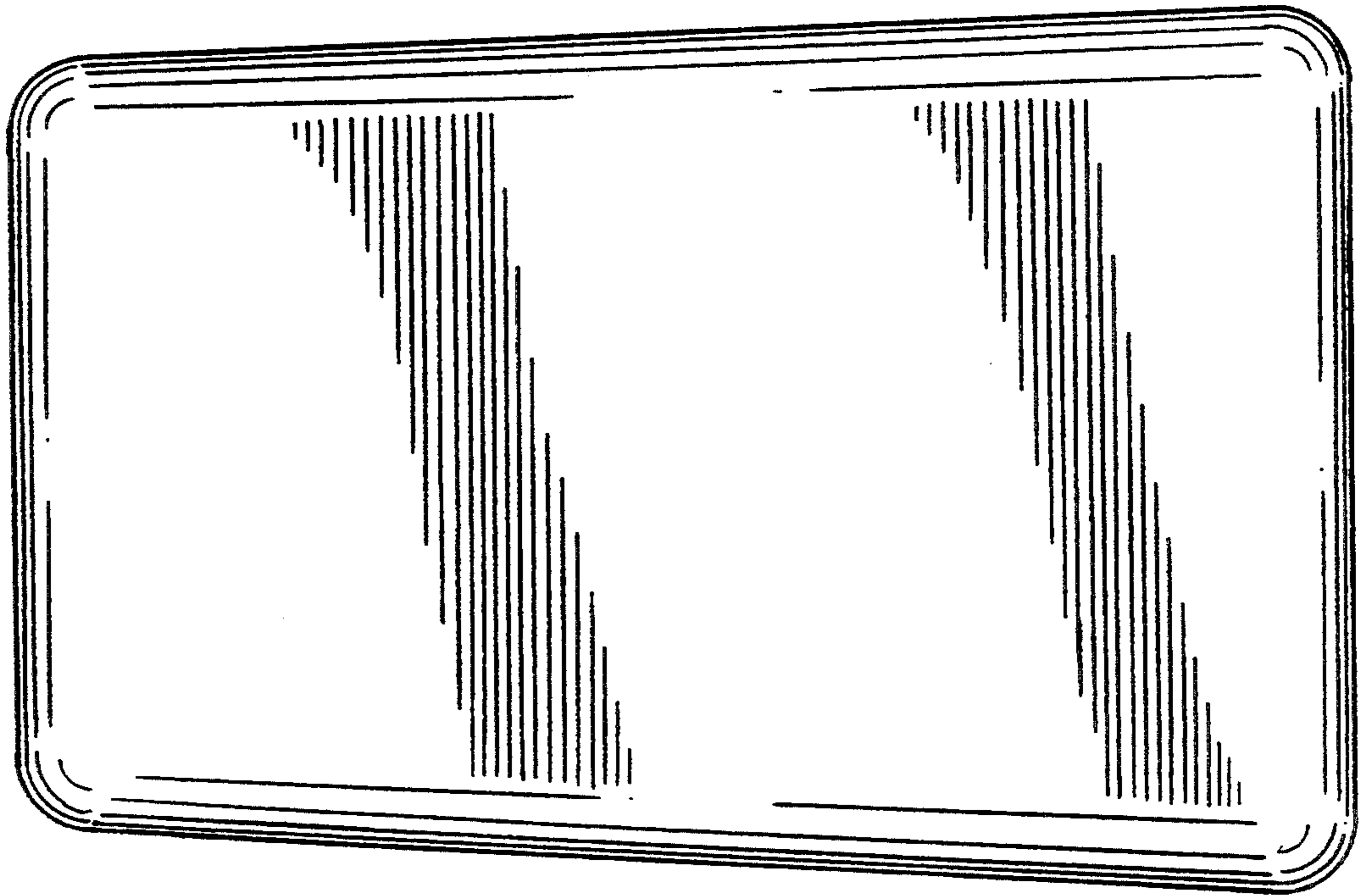


FIG. 4.

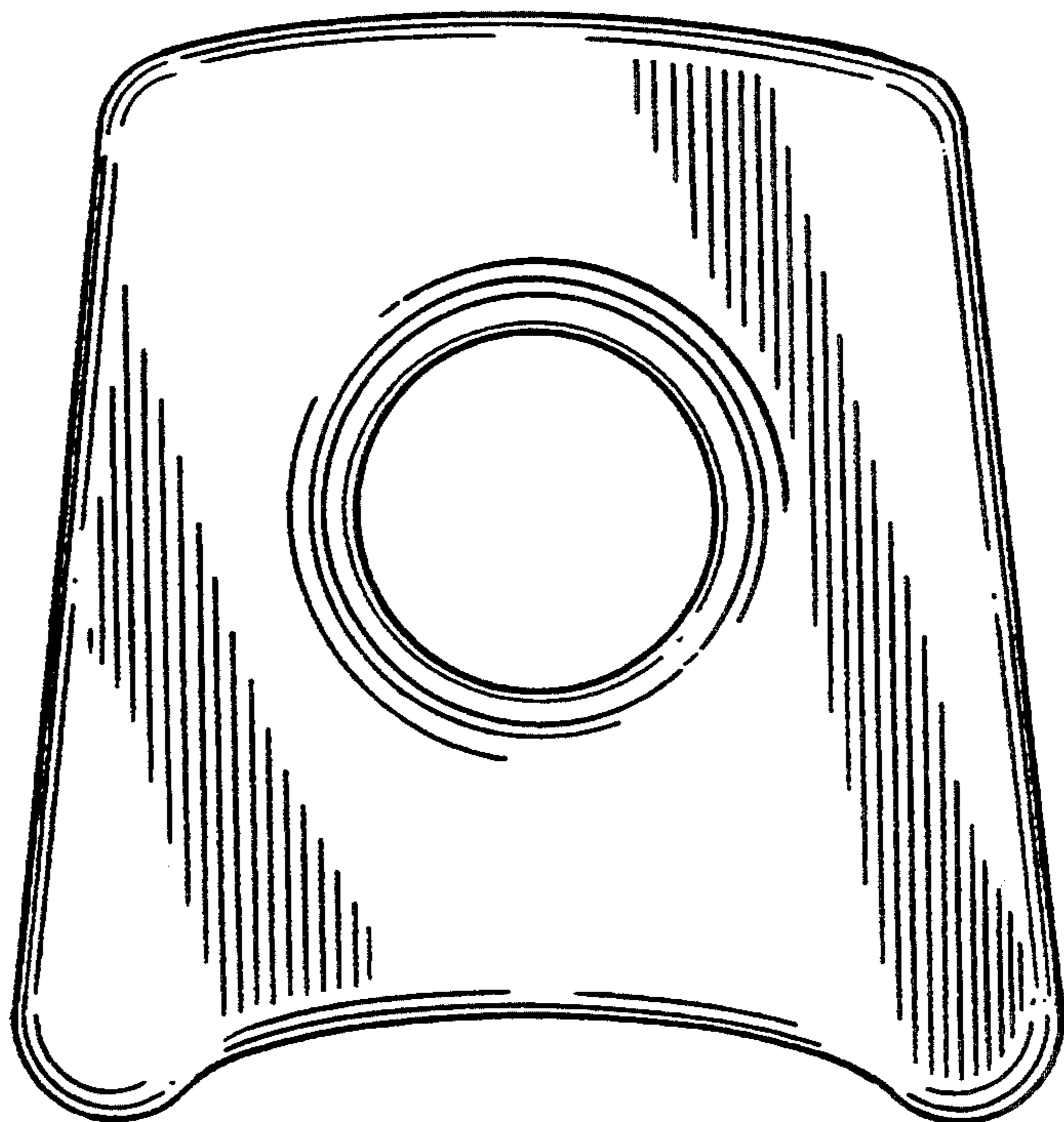


FIG. 3.

FIG. 6.

