



US00D358888S

United States Patent [19]

[11] Patent Number: **Des. 358,888**

Kanas

[45] Date of Patent: **** May 30, 1995**

[54] **DENTAL ASPIRATOR AND TONGUE DEFLECTOR**

5,306,148 4/1994 Nakamura 433/116

[76] Inventor: **David C. Kanas**, 11279 Serpentine Ct., Gold River, Calif. 95670

[**] Term: **14 Years**

[21] Appl. No.: **21,481**

[22] Filed: **Apr. 15, 1994**

[52] U.S. Cl. **D24/180; D24/176**

[58] Field of Search **D24/176-182; 433/116, 87, 91**

OTHER PUBLICATIONS

Advertisement by Future Dentistry Inc. for Aspirating Device published in Dental Products Report, Nov. 1992.

Primary Examiner—Kay H. Chin
Attorney, Agent, or Firm—John P. O'Banion

[57] CLAIM

The ornamental design for a dental aspirator and tongue deflector, as shown and described.

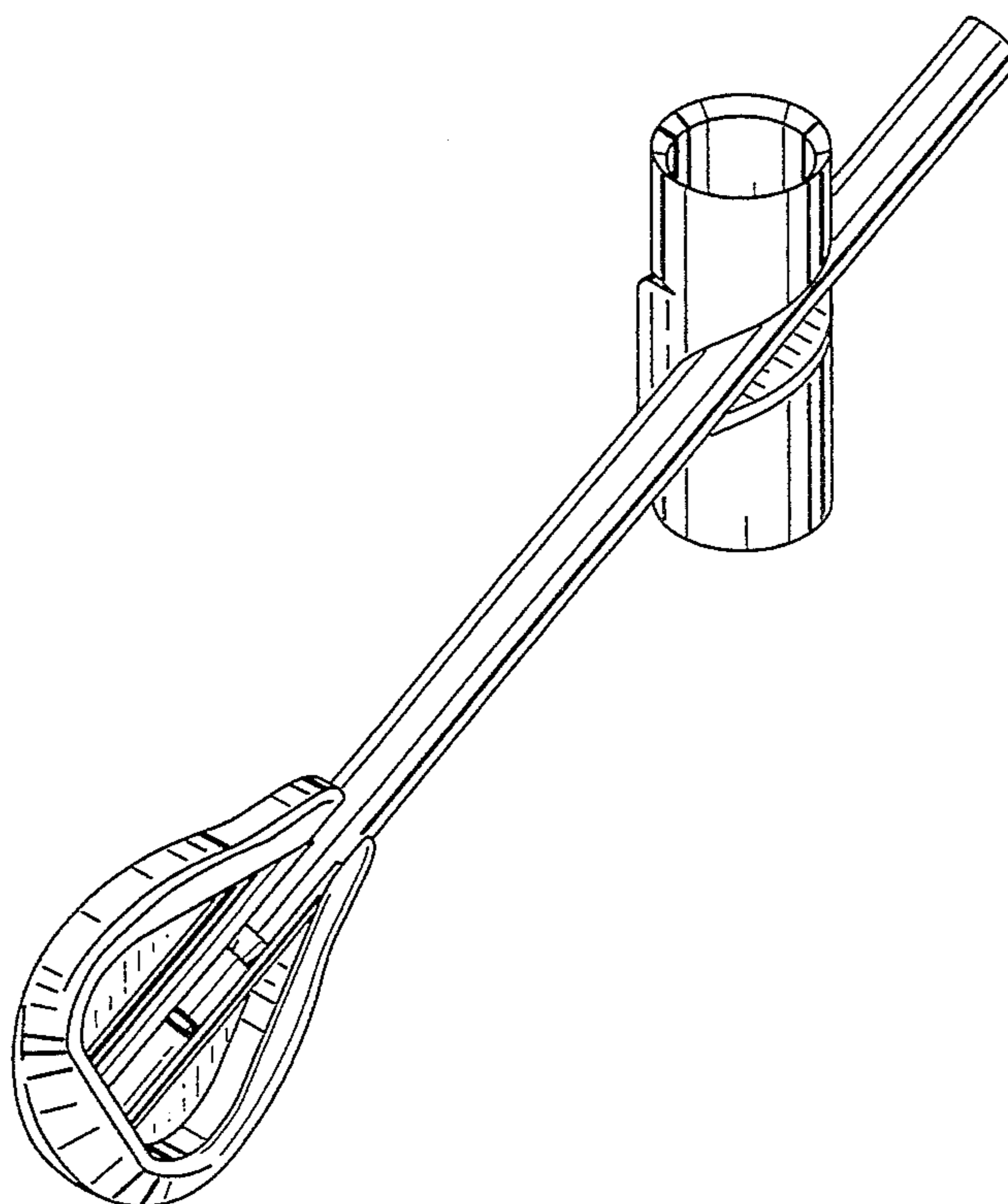
DESCRIPTION

FIG. 1 is a perspective view of the dental aspirator and tongue deflector of the present invention as seen from the right rear in relation use in a patient's mouth; FIG. 2 is a side view in elevation of the dental aspirator and tongue deflector of the present invention as seen from the left hand side of FIG. 1; FIG. 3 is a plan view of the dental aspirator and tongue deflector of FIG. 1; FIG. 4 is a rear view of the dental aspirator and tongue deflector of FIG. 1; FIG. 5 is a side view in elevation of the dental aspirator and tongue deflector of the present invention as seen from the right hand side of FIG. 1; FIG. 6 is a bottom view of the dental aspirator and tongue deflector of FIG. 1; and, FIG. 7 is a front view of the dental aspirator and tongue deflector of FIG. 1.

[56] References Cited

U.S. PATENT DOCUMENTS

594,952	12/1897	Hoyer .	
1,004,118	9/1911	Waters .	
1,067,571	7/1913	Abbott .	
1,152,122	8/1915	Samphere .	
1,516,933	11/1924	Terranova .	
2,671,269	3/1954	Francis .	
2,731,722	1/1956	Wilén .	
2,924,013	2/1960	Wowra .	
3,090,122	5/1963	Erickson .	
3,512,258	5/1970	Johnson .	
3,777,756	12/1973	Lohr .	
3,924,333	12/1975	Erickson .	
4,024,642	5/1977	Zorovich .	
4,701,128	10/1987	Fitzig et al. .	
4,975,057	12/1990	Dyffermark .	
5,232,362	8/1993	Kanas	433/91



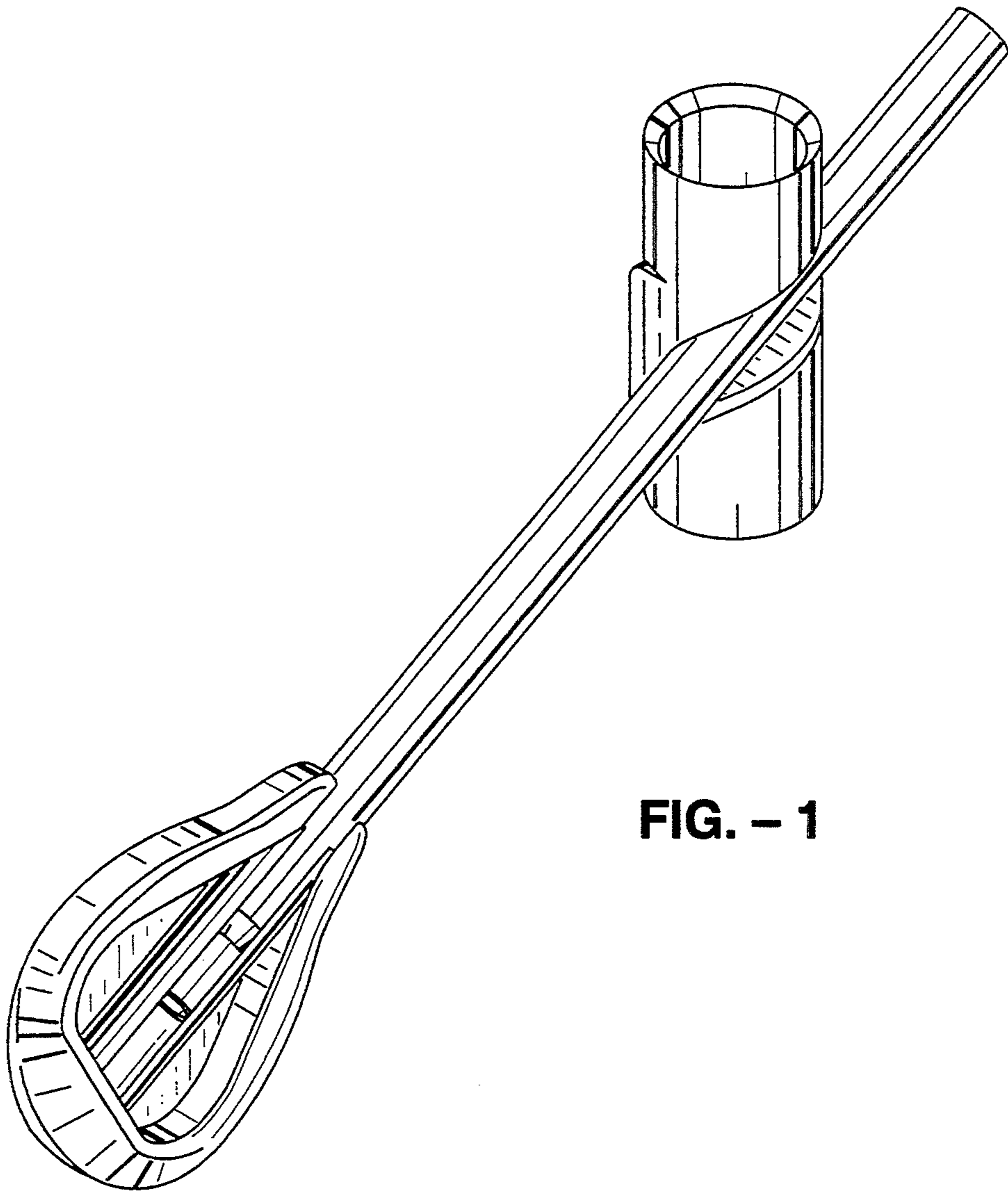


FIG. - 1

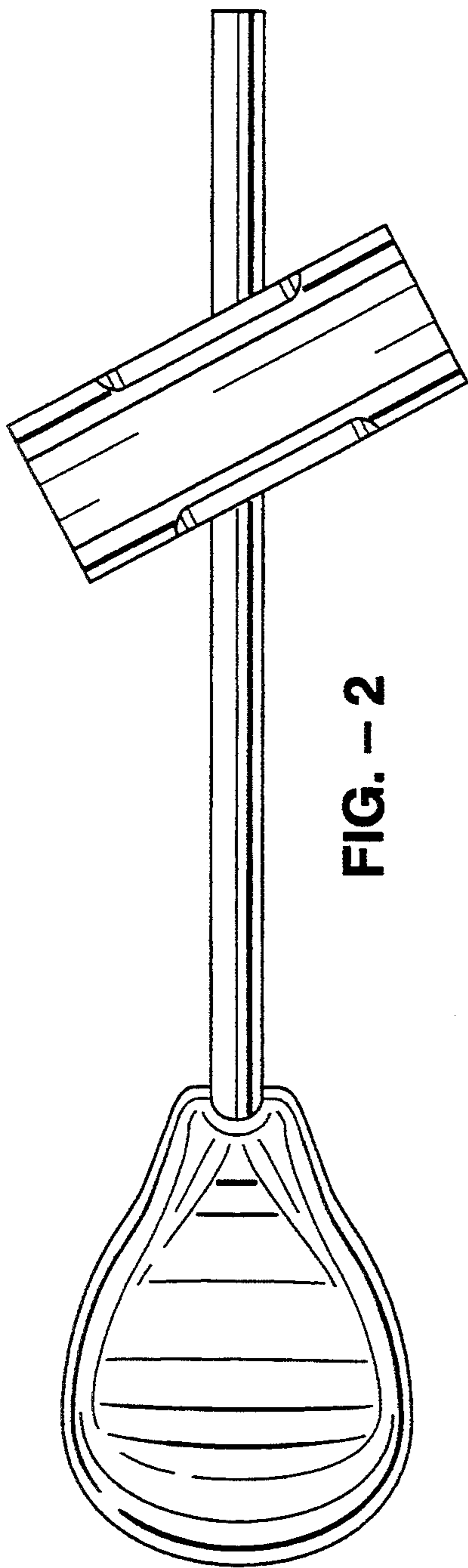


FIG. - 2

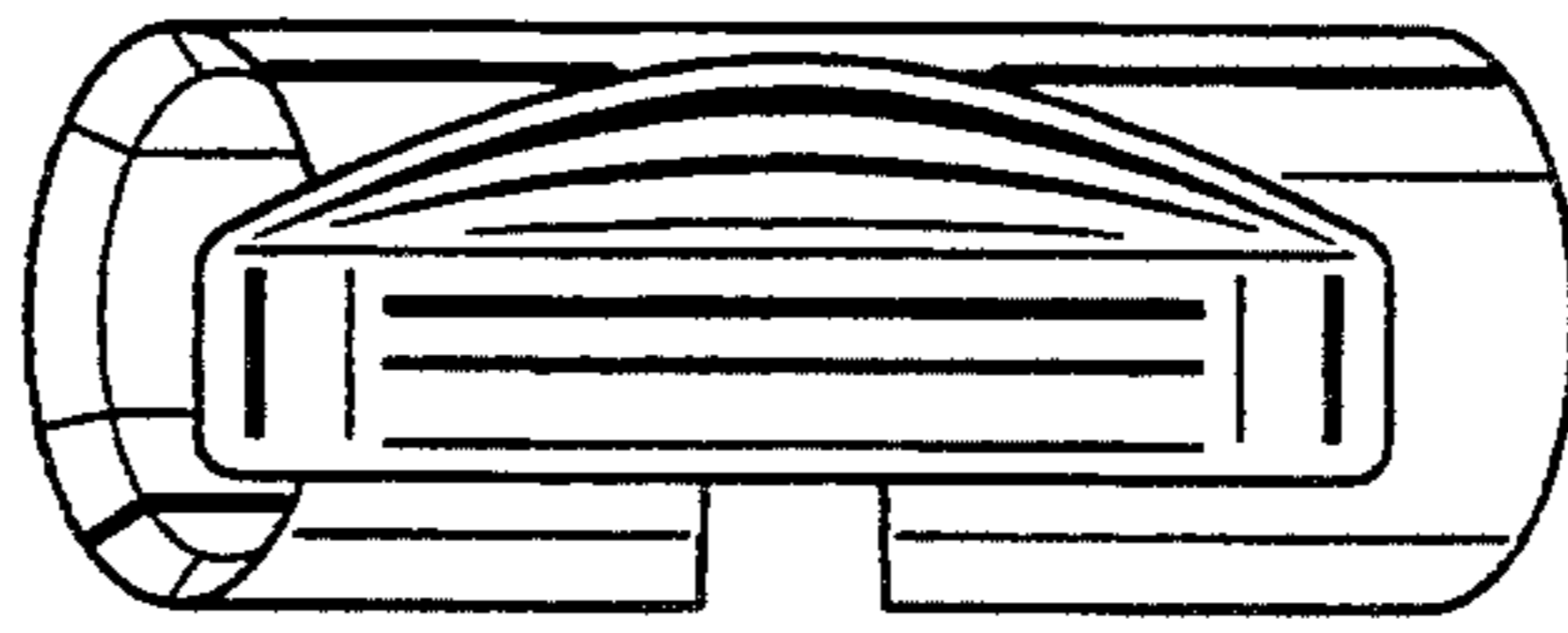


FIG. - 4

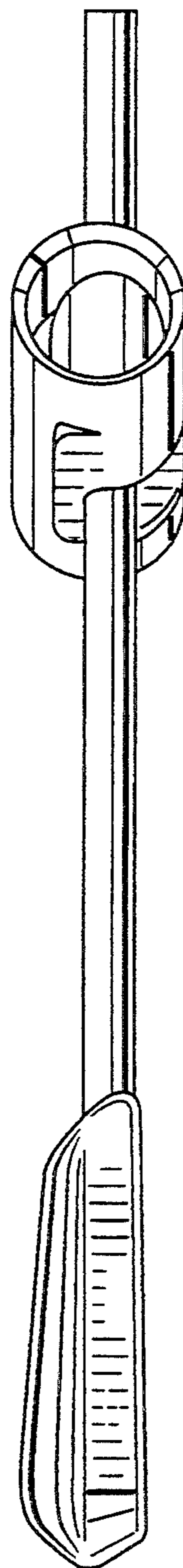


FIG. - 3

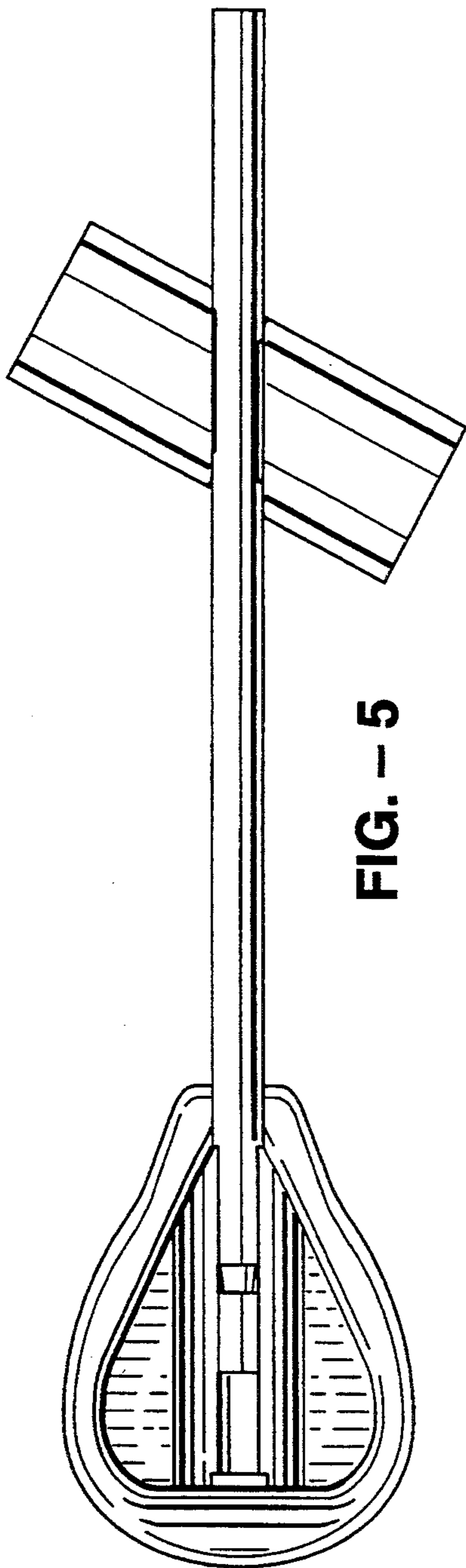


FIG. - 5

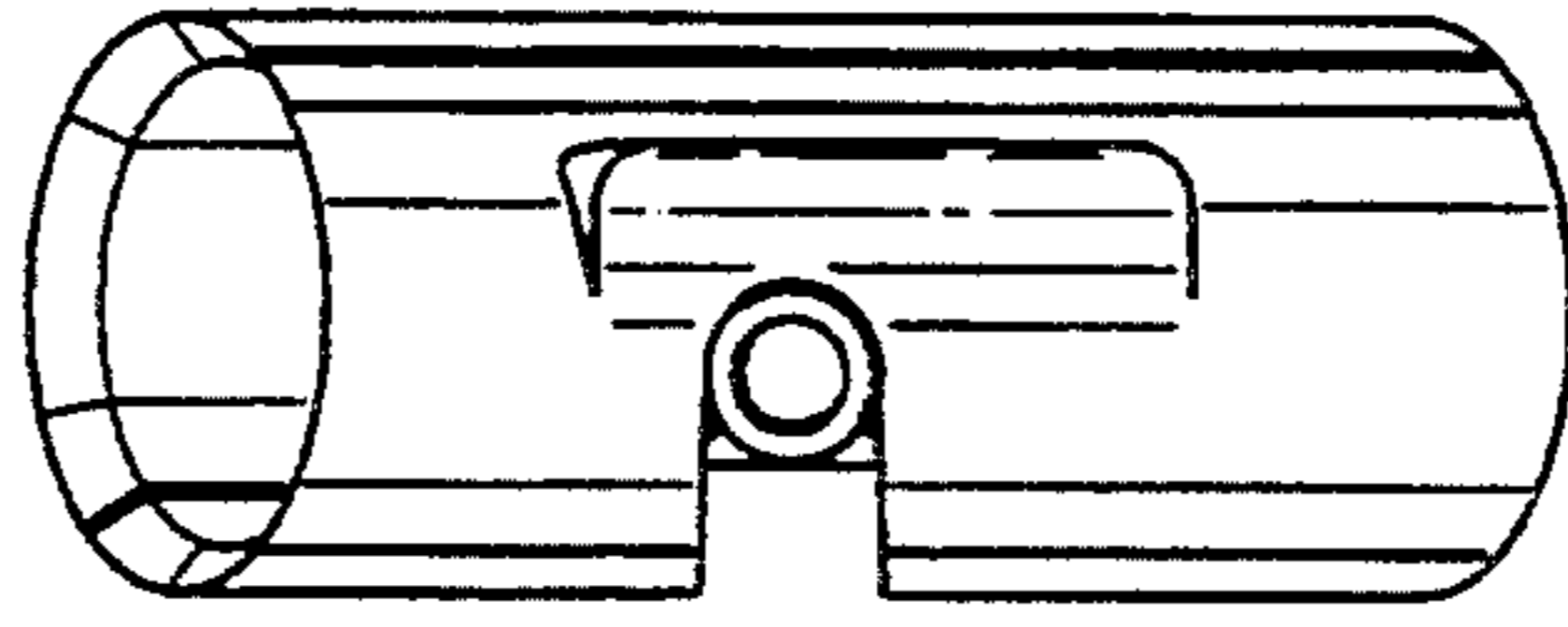


FIG. - 7

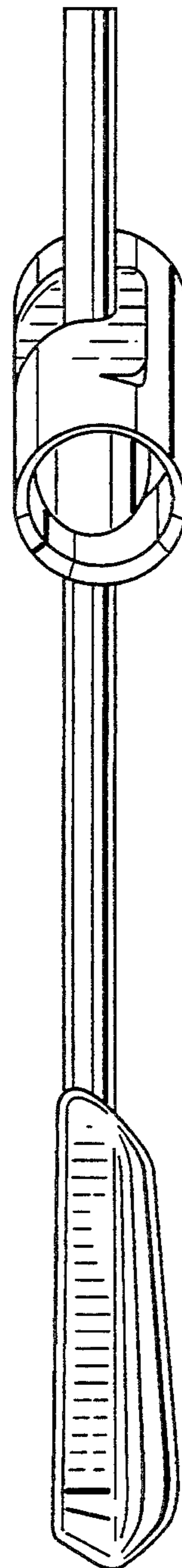


FIG. - 6