



US00D358887S

United States Patent [19]

[11] Patent Number: **Des. 358,887**

Feinberg

[45] Date of Patent: **** May 30, 1995**

[54] **COMBINED CUTTING AND COAGULATING FORCEPS**

Assistant Examiner—I. Simmons
Attorney, Agent, or Firm—Shoemaker and Mattare, Ltd.

[75] Inventor: **Marc Feinberg, Yardley, Pa.**

[57] **CLAIM**

[73] Assignee: **Cobot Medical Corporation, Langhorne, Pa.**

The ornamental design for a combined cutting and coagulating forceps, as shown and described.

[**] Term: **14 Years**

DESCRIPTION

[21] Appl. No.: **15,915**

FIG. 1 is a top plan view of a combined cutting and coagulating forceps showing my new design, with the power leads having been omitted for convenience of illustration;

[22] Filed: **Dec. 2, 1993**

[52] U.S. Cl. **D24/143; D24/144**

FIG. 2 is a right side elevational view thereof, with the power leads shown broken in the center to indicate indeterminate length;

[58] Field of Search **D24/143, 144, 170; 606/50, 51, 52, 44, 45, 48, 49, 205, 32, 39, 40; 128/751**

FIG. 3 is a bottom plan view thereof, with the power leads having been omitted for convenience of illustration;

[56] References Cited

U.S. PATENT DOCUMENTS

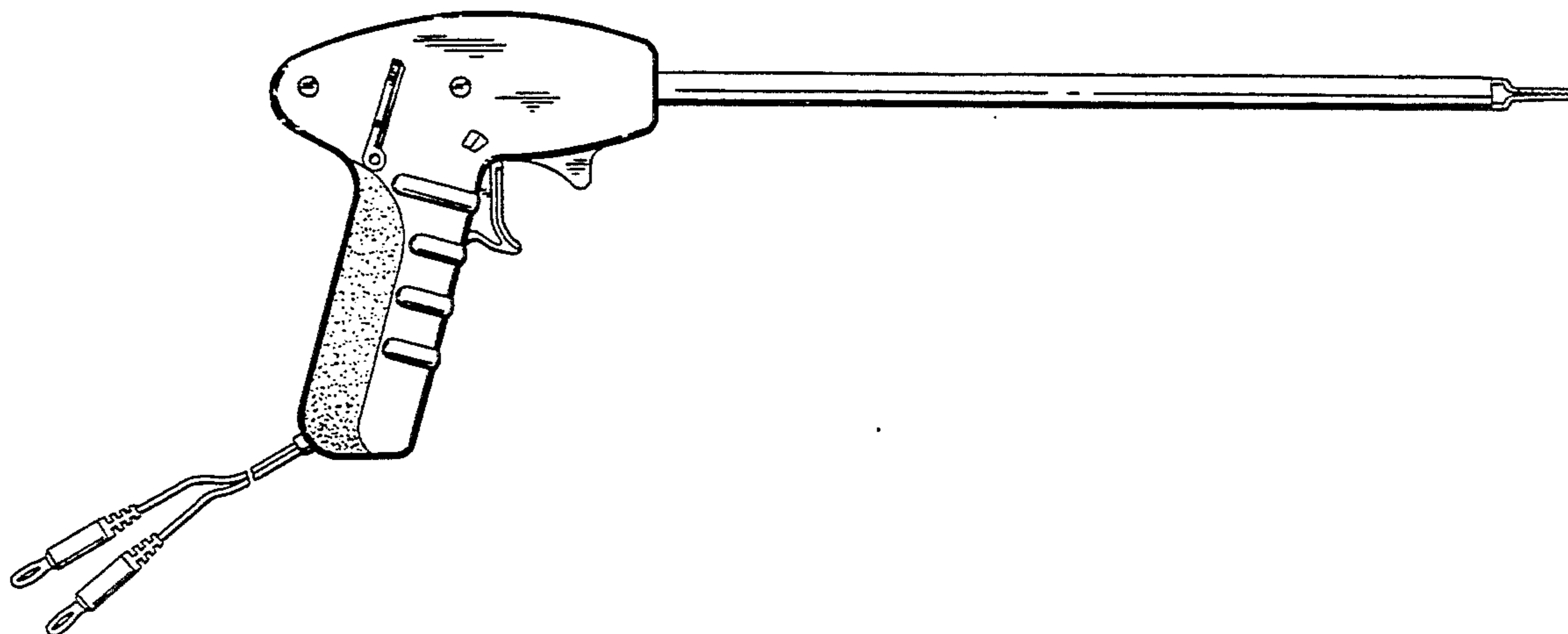
D. 97,617	11/1935	Rubens	D24/144
1,813,902	7/1931	Bovie	606/52 X
4,732,149	3/1988	Sutter	606/51
4,936,842	6/1990	D'Amelio et al.	606/50 X
5,258,006	11/1993	Rydell et al.	606/205
5,273,524	12/1993	Fox et al.	606/45 X
5,330,471	7/1994	Eggers	606/50 X

FIG. 4 is a left side elevational view thereof, with the power leads shown broken in the center to indicate indeterminate length;

FIG. 5 is a front elevational view thereof, with the power leads having been omitted for convenience of illustration;

FIG. 6 is a rear elevational view thereof, with the power leads having been omitted for convenience of illustration.

Primary Examiner—Louis S. Zarfes



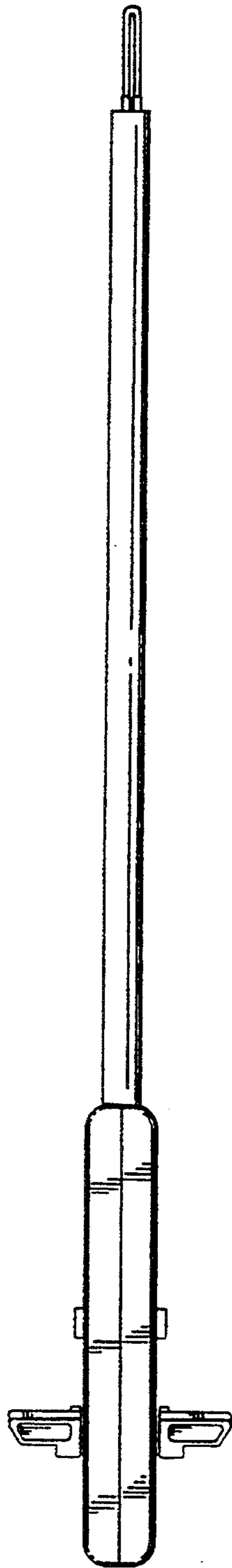


Fig. 1

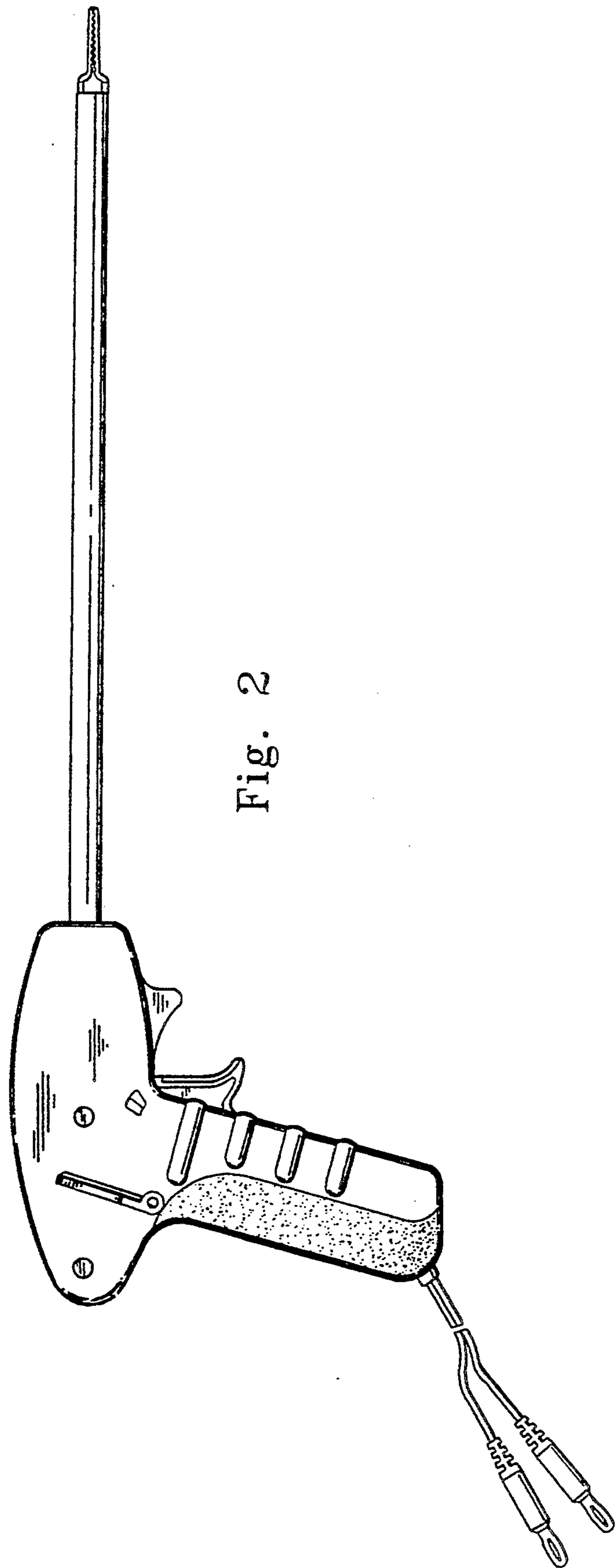


Fig. 2

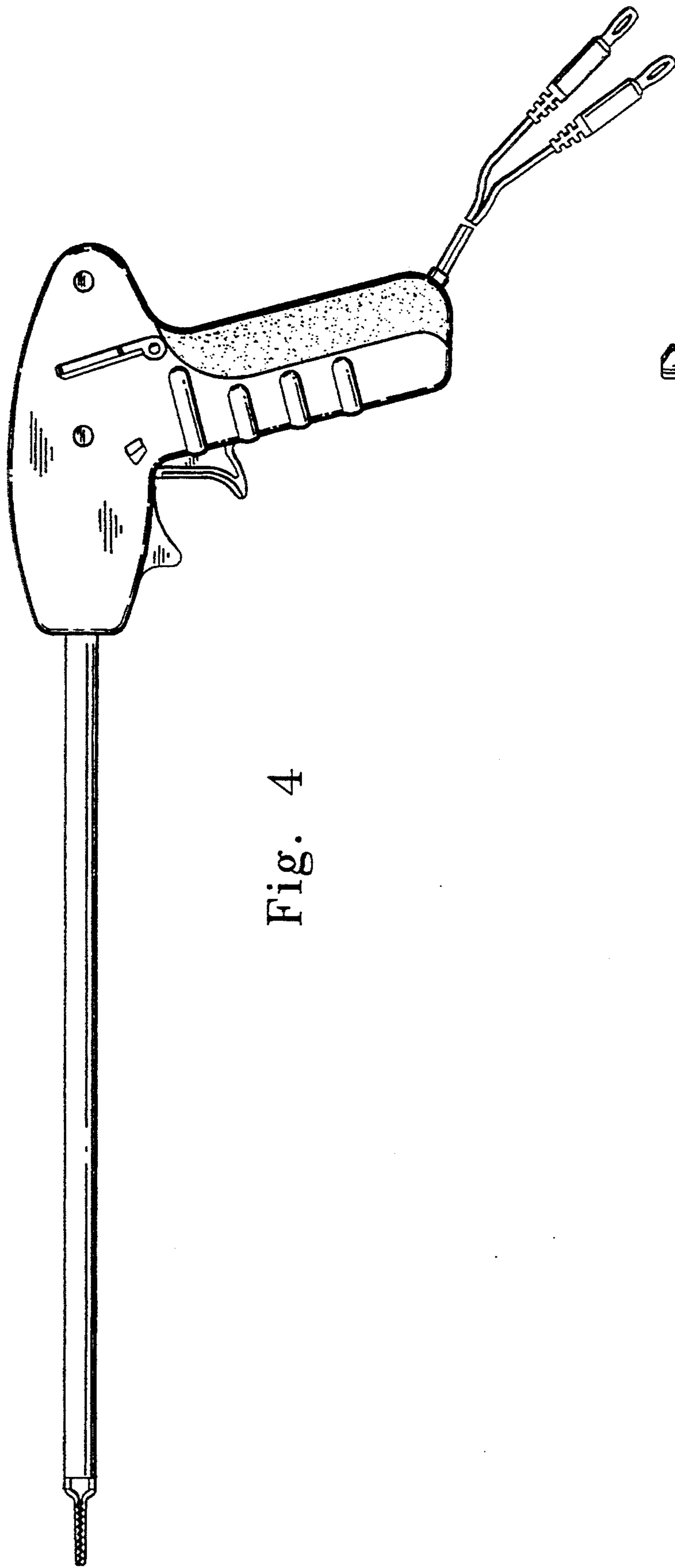


Fig. 4

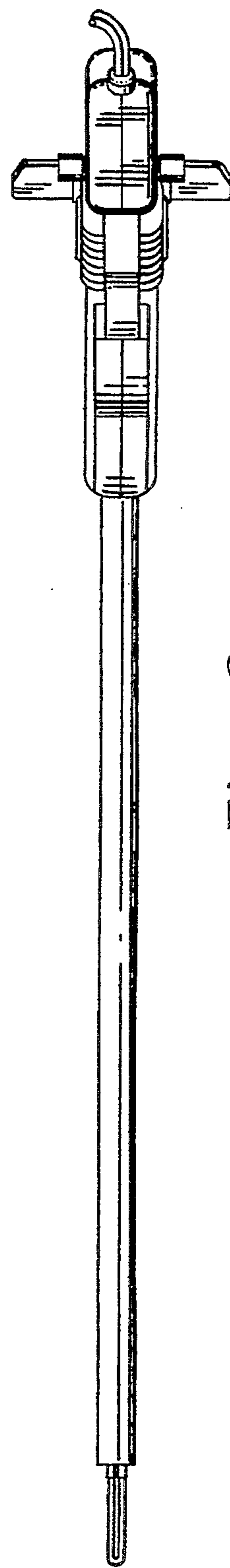


Fig. 3

Fig. 6

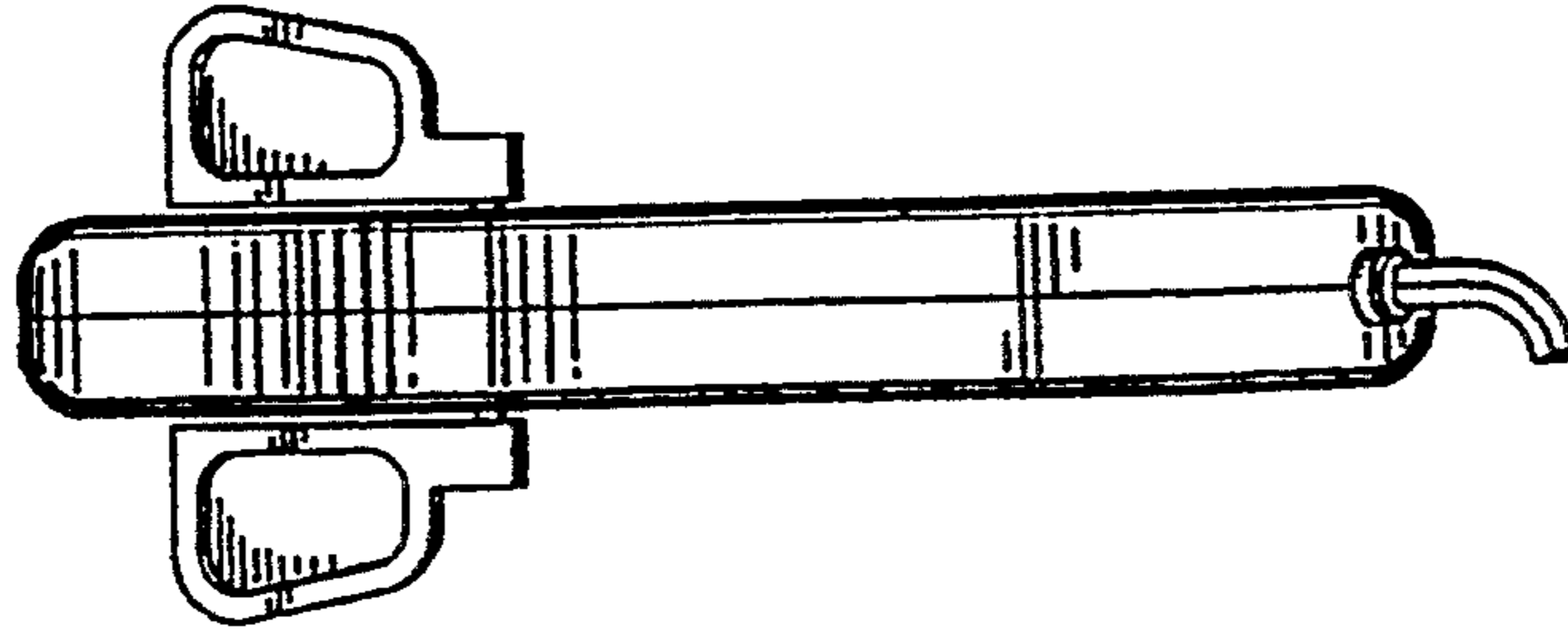


Fig. 5

