



US00D358885S

United States Patent [19]

[11] Patent Number: **Des. 358,885**

Benson et al.

[45] Date of Patent: **** May 30, 1995**

[54] **COMBINED NEEDLE STOPPER AND NEEDLE REMOVER**

D. 353,194 12/1994 Walton et al. D24/130
4,636,201 1/1987 Ambrose et al. 604/192
5,304,148 4/1993 Lannoye et al. 604/192

[75] Inventors: **Carl L. Benson, Wyckoff; Anthony J. Kosinski, Murray Hill, both of N.J.**

Primary Examiner—Stella Reid
Attorney, Agent, or Firm—John L. Voellmicke

[73] Assignee: **Becton, Dickinson and Company, Franklin Lakes, N.J.**

[57] **CLAIM**

[**] Term: **14 Years**

The ornamental design for a combined needle stopper and remover, as shown and described.

[21] Appl. No.: **13,617**

DESCRIPTION

[22] Filed: **Sep. 28, 1993**

FIG. 1 is a perspective view of a combined needle stopper and remover showing our new design;

[52] U.S. Cl. **D24/130**

FIG. 2 is a top plan view thereof;

[58] Field of Search **D24/130; 604/192-198**

FIG. 3 is a front side elevational view thereof;

FIG. 4 is a right side elevational view thereof;

FIG. 5 is a bottom plan view thereof; and,

FIG. 6 is a perspective view thereof, the broken line showing is for illustrative purposes only and forms no part of the claimed design.

[56] References Cited

U.S. PATENT DOCUMENTS

D. 320,277 9/1991 Gyure et al. D24/130
D. 336,132 6/1993 Pierce D24/130

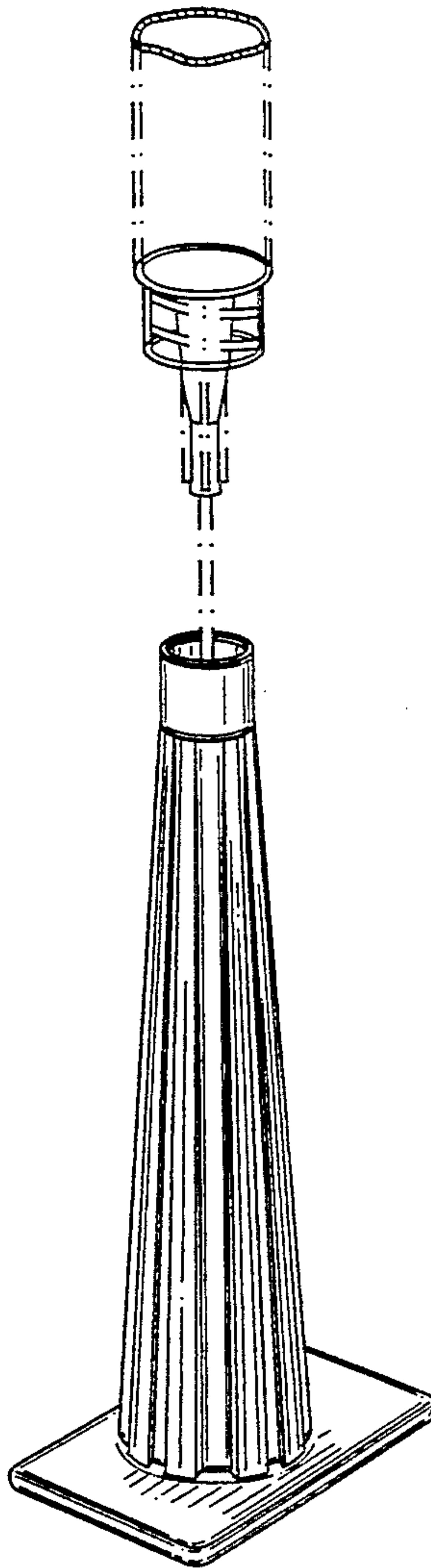


FIG-1

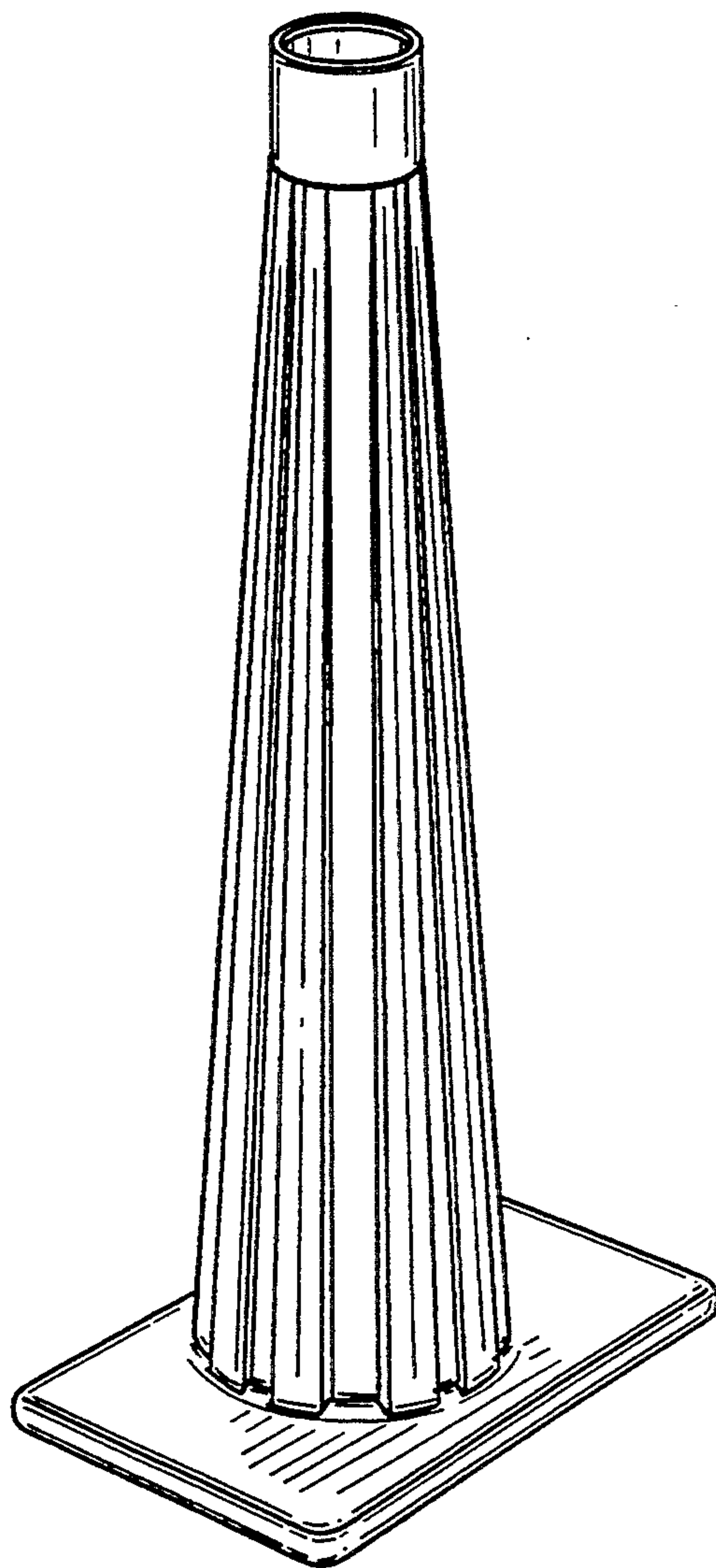


FIG-2

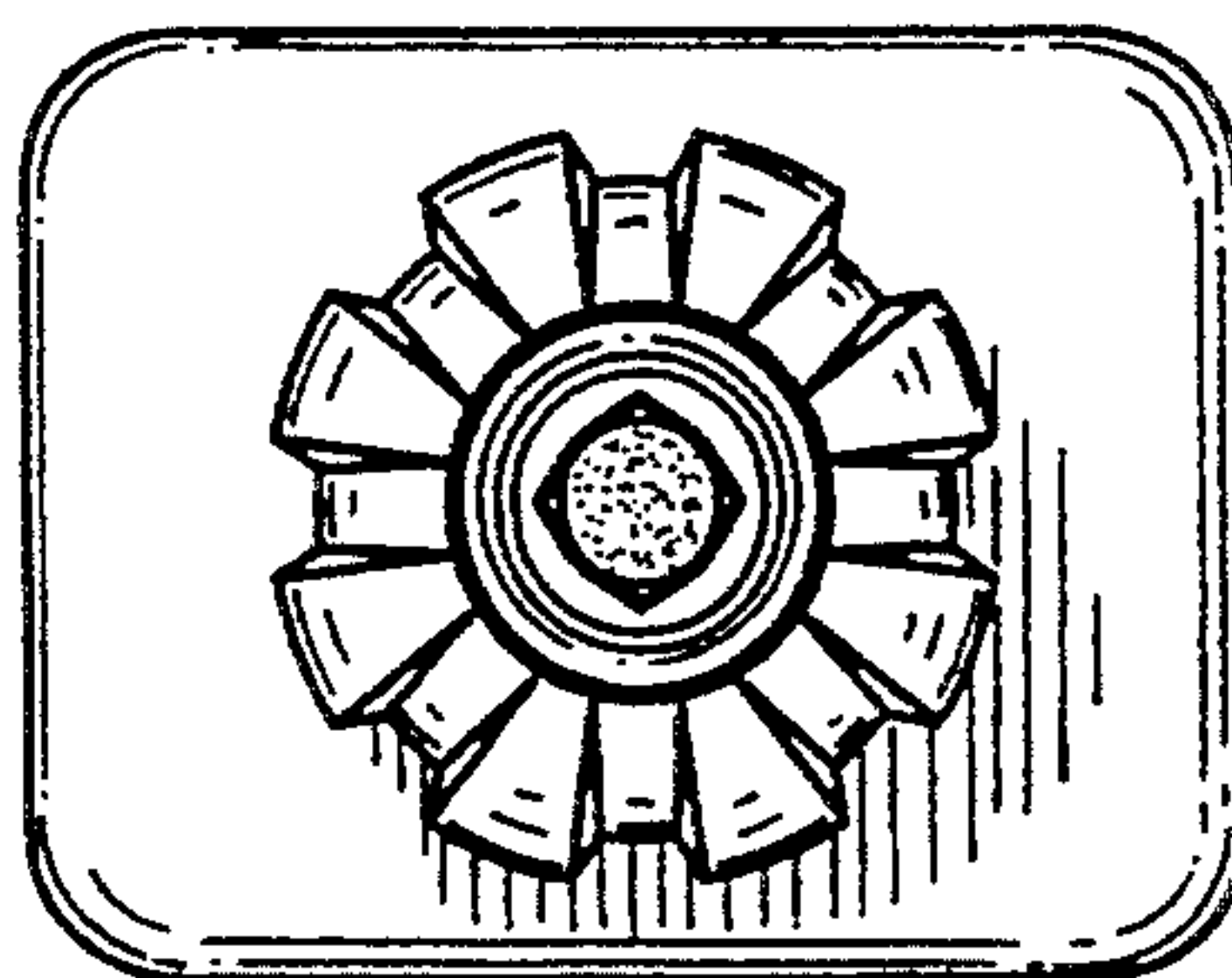


FIG-3

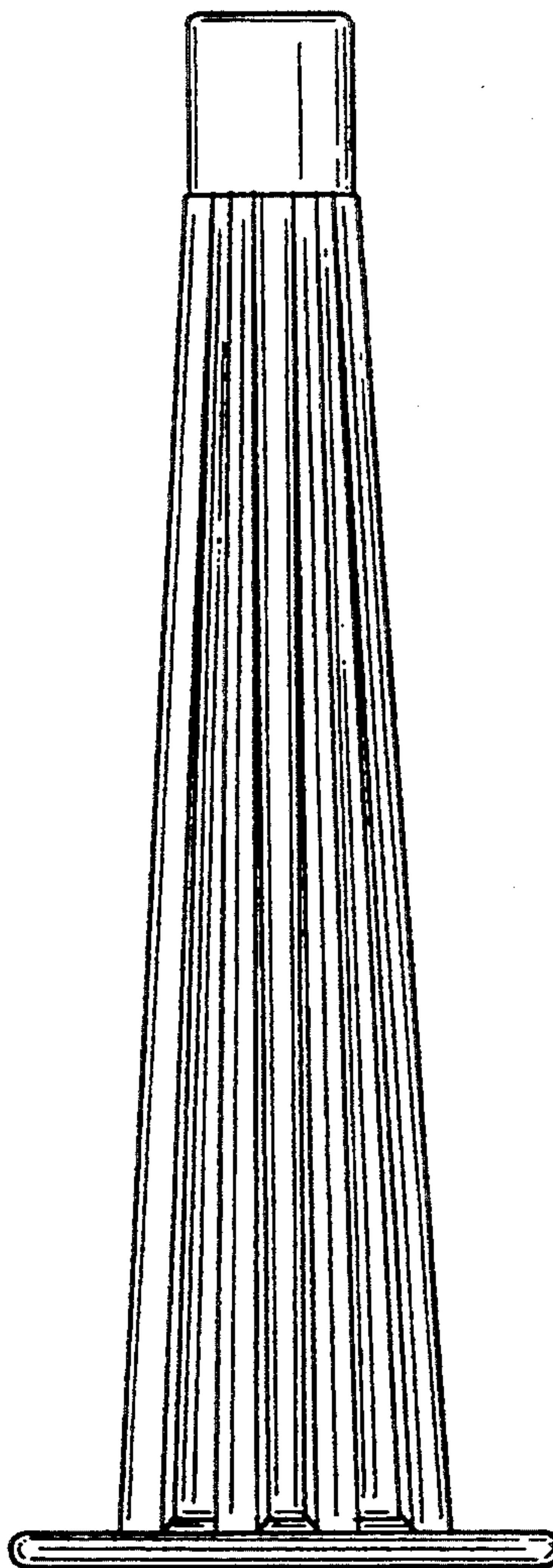


FIG-4

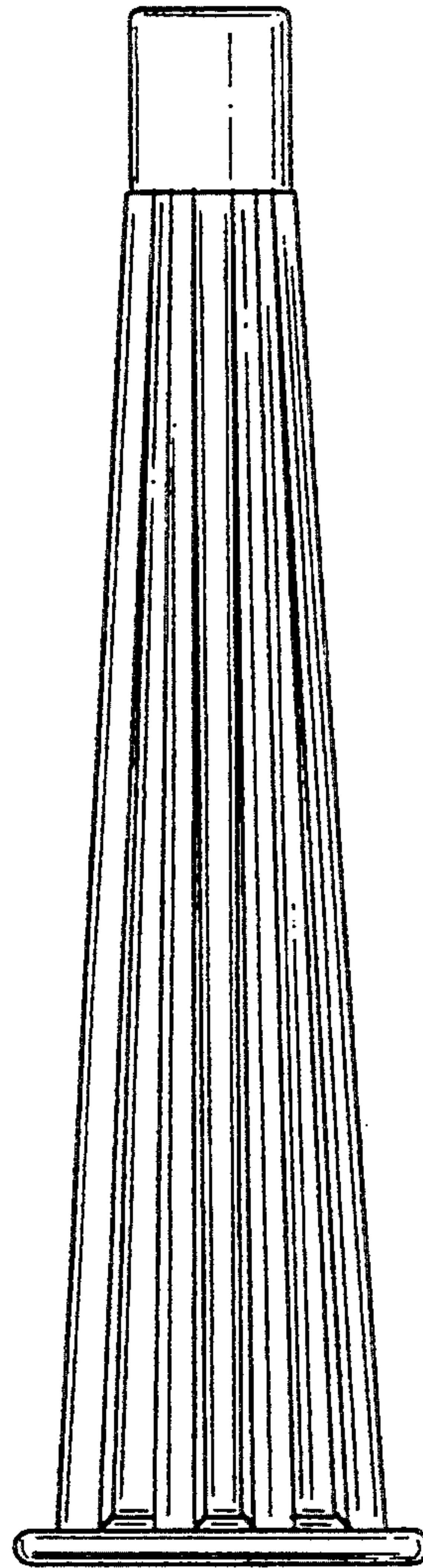


FIG-5

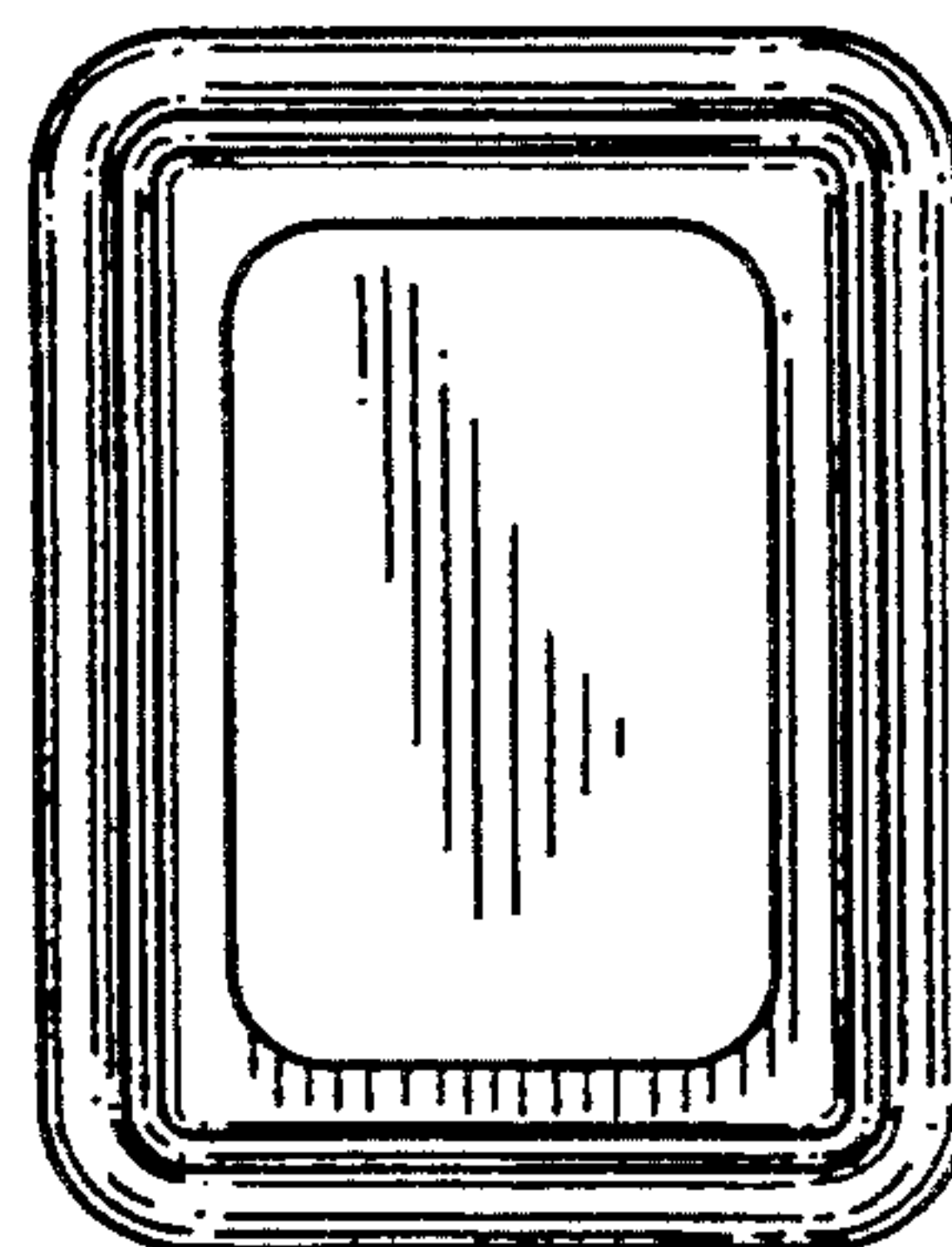


FIG-6

