



US00D358880S

# United States Patent [19]

[11] Patent Number: **Des. 358,880**

Mulhauser et al.

[45] Date of Patent: **\*\* May 30, 1995**

[54] **DRY POWDER INHALATOR**

5,042,472 8/1991 Bunin ..... D24/110.5 X  
5,318,016 6/1994 Mecikalski ..... 128/200.14 X

[75] Inventors: **Paul Mulhauser**, New York, N.Y.;  
**Paul Lacotta**, Oradell, N.J.; **Robert Pandorf**, New York, N.Y.

### FOREIGN PATENT DOCUMENTS

2061735 5/1981 United Kingdom ..... 128/203.15

[73] Assignee: **Tenax Corporation**, Danbury, Conn.

*Primary Examiner*—A. Hugo Word

*Assistant Examiner*—I. Simmons

*Attorney, Agent, or Firm*—Kramer, Brufsky & Cifelli

[\*\*] Term: **14 Years**

### [57] CLAIM

[21] Appl. No.: **15,933**

The ornamental design for a dry powder inhalator, as shown and described.

[22] Filed: **Dec. 2, 1993**

[52] U.S. Cl. .... **D24/110; D24/110.5**

[58] Field of Search ..... **D24/110; 128/200.14, 128/200.12, 200.23, 203.12, 203.15**

### DESCRIPTION

### [56] References Cited

#### U.S. PATENT DOCUMENTS

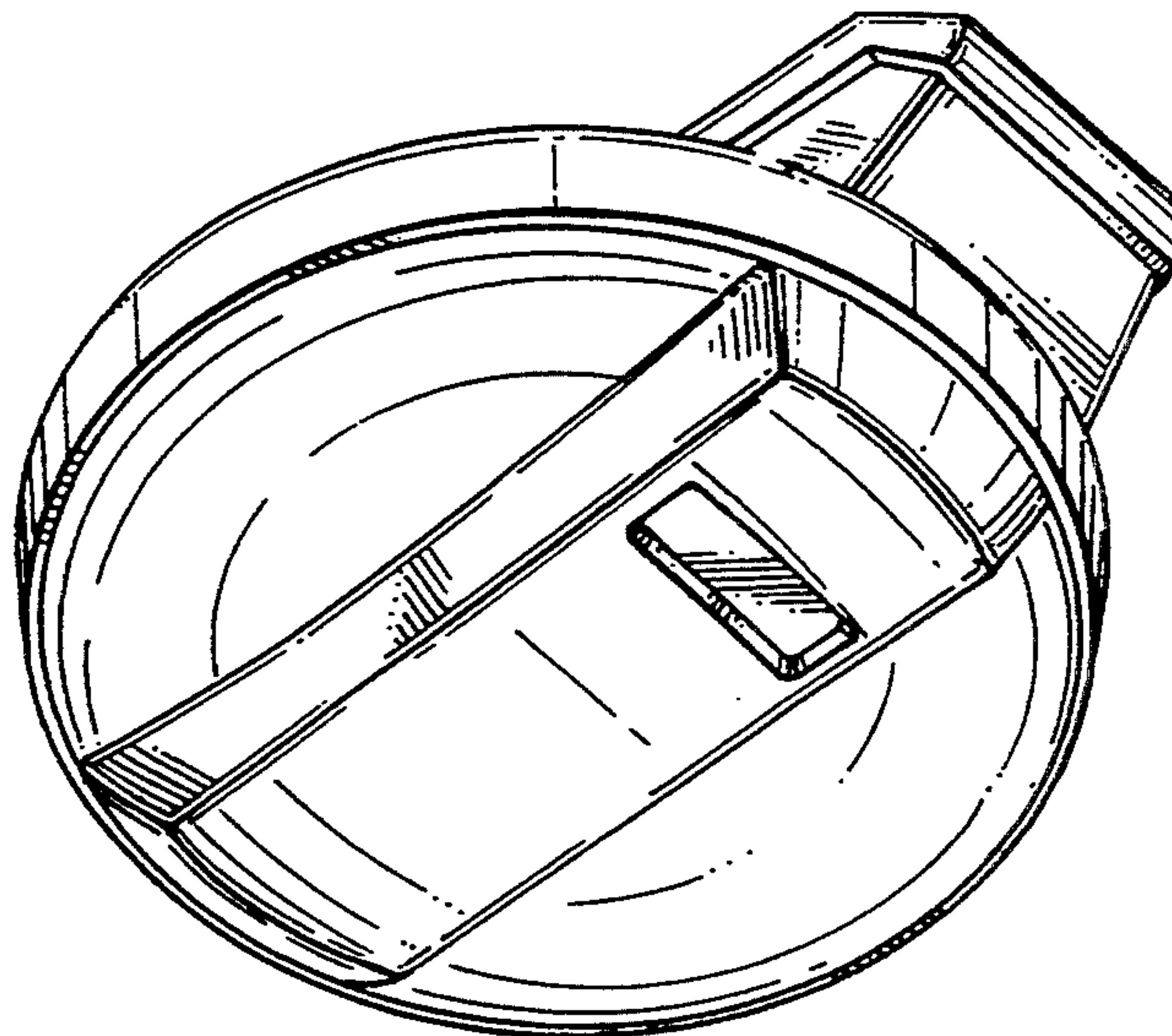
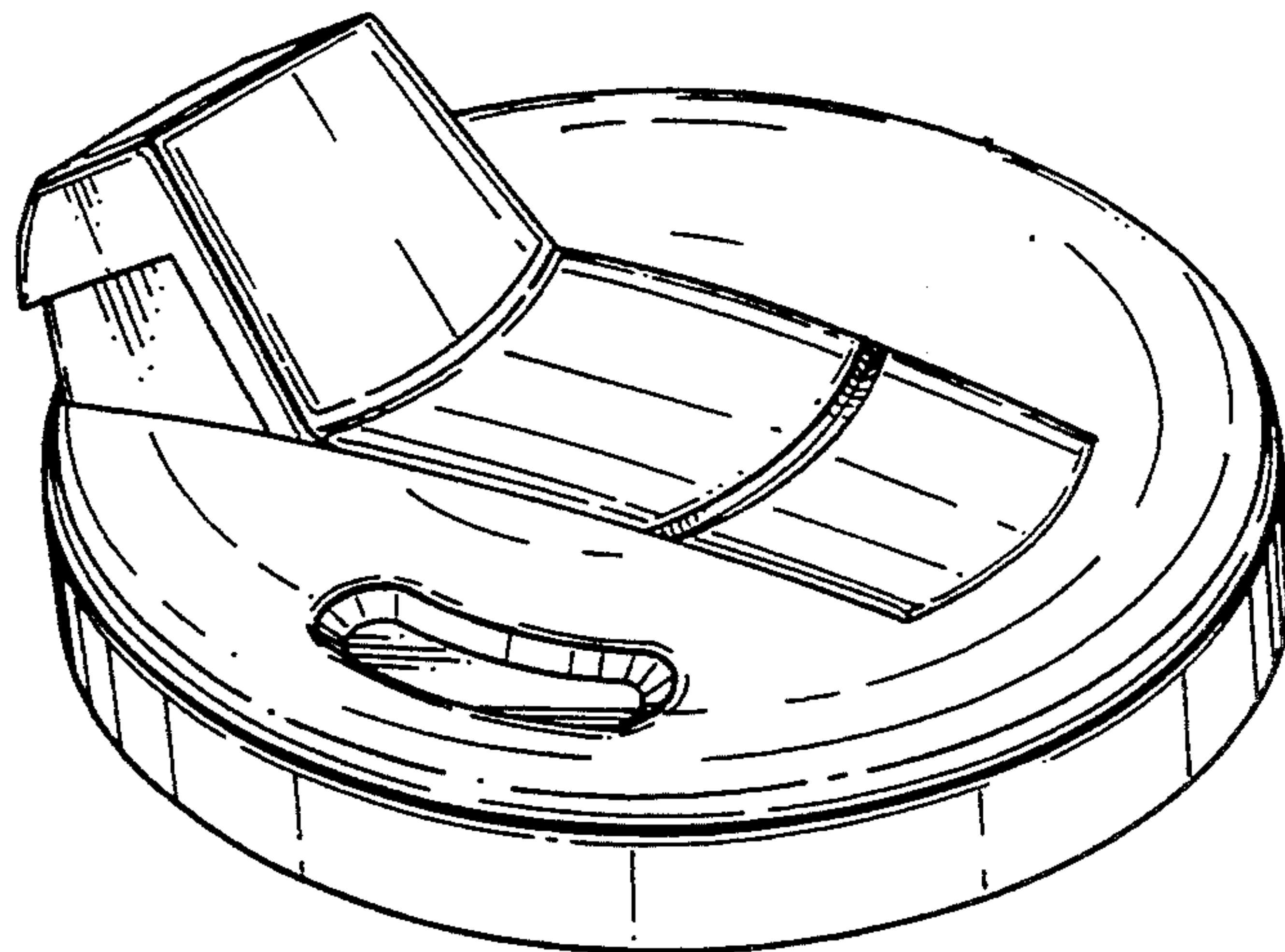
D. 282,209 1/1988 Newell et al. .... D24/110  
D. 299,066 12/1988 Newell et al. .... D24/110  
4,627,432 12/1986 Newell et al. .... 128/203.15

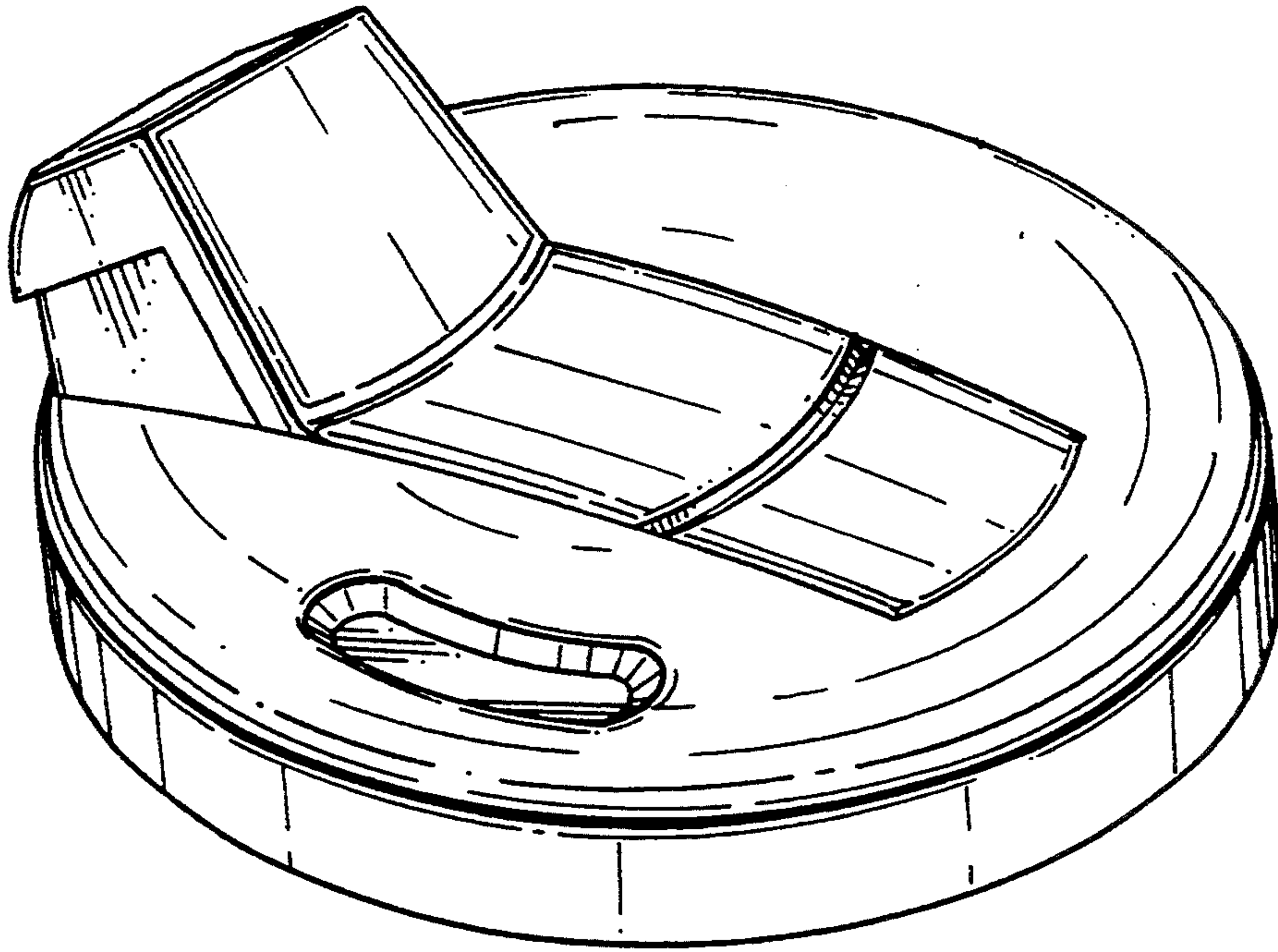
FIG. 1 is a top perspective view of the design for a dry powder inhalator;

FIG. 2 is a bottom perspective view of the design thereof;

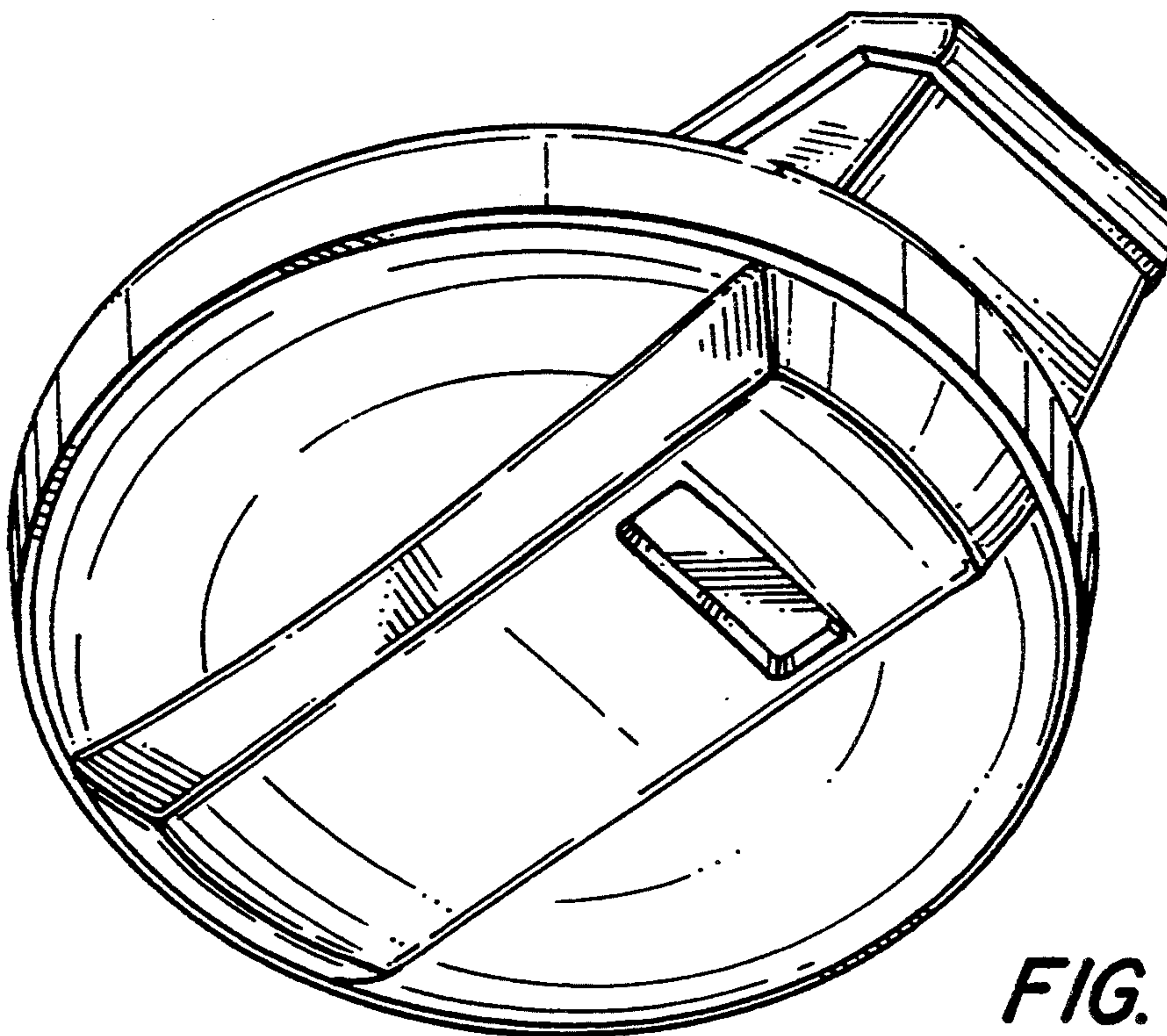
FIG. 3 is a side view of the design thereof as seen from the right hand side of FIG. 1; and,

FIG. 4 is a rear view of the design thereof.



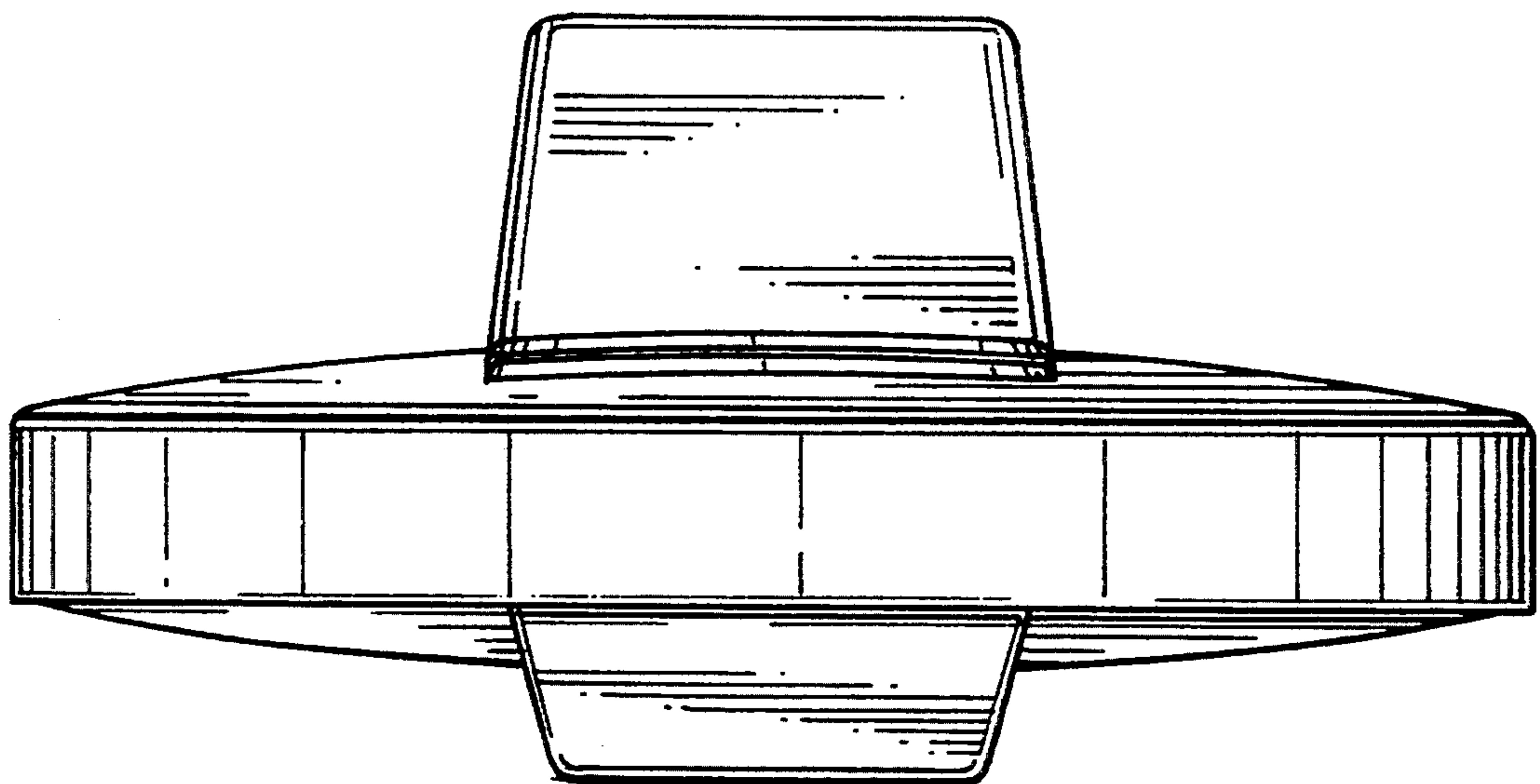
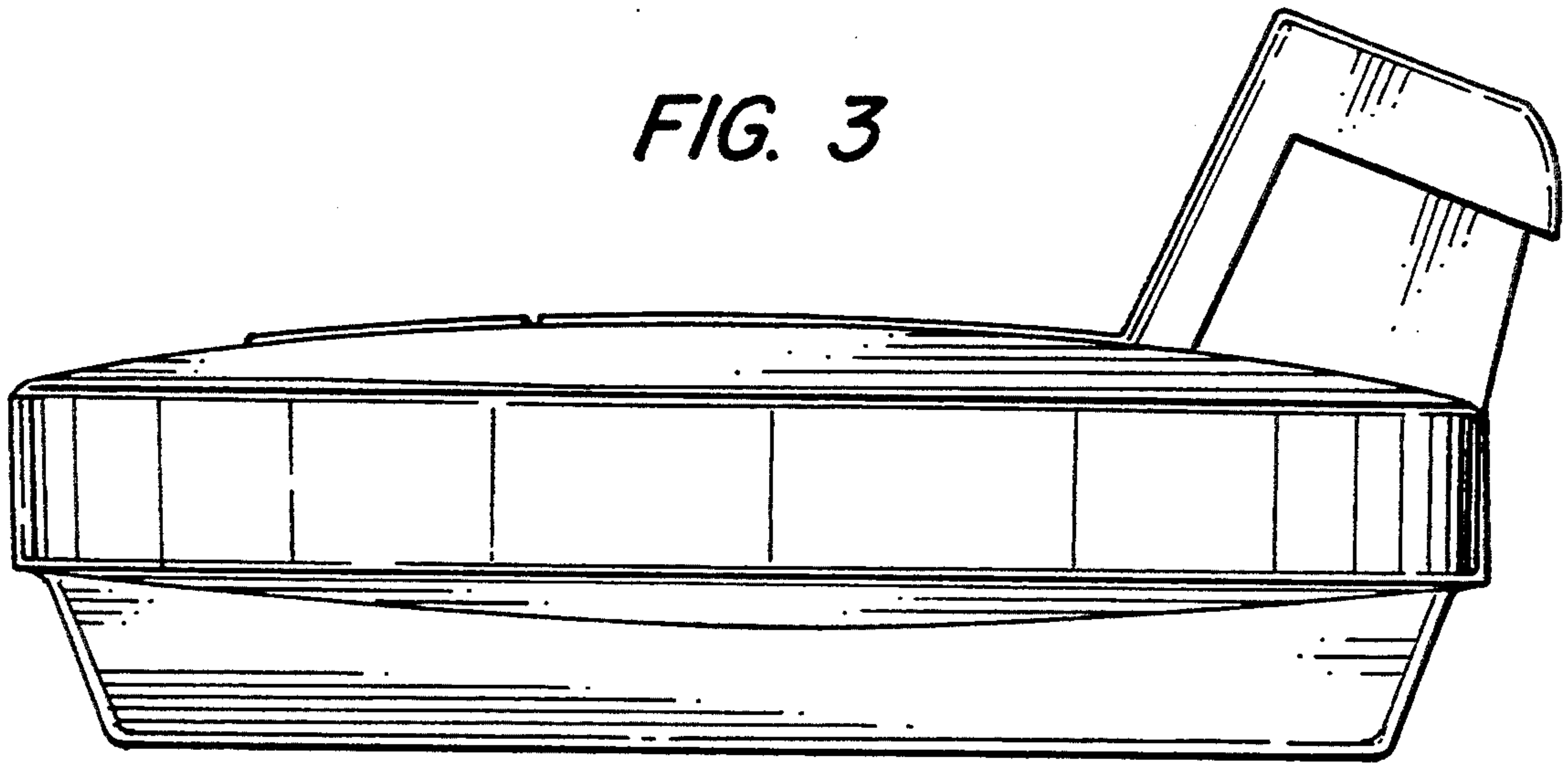


*FIG. 1*



*FIG. 2*

*FIG. 3*



*FIG. 4*