



US00D358878S

United States Patent [19]

[11] Patent Number: **Des. 358,878**

Tsuji

[45] Date of Patent: **** May 30, 1995**

[54] **CEILING FAN**

[75] Inventor: **Masao Tsuji**, Germantown, Tenn.

[73] Assignee: **Hunter Fan Company**, Memphis, Tenn.

[**] Term: **14 Years**

[21] Appl. No.: **27,021**

[22] Filed: **Aug. 11, 1994**

[52] U.S. Cl. **D23/377; D23/379; D23/385**

[58] **Field of Search** **D23/377, 379, 385, 411, D23/413; D26/81-86, 88, 59, 72, 51; 416/5; 362/96, 294; 392/364**

[56] **References Cited**

U.S. PATENT DOCUMENTS

D. 328,947 8/1992 Holbrook **D23/377**

D. 329,494 9/1992 Holbrook **D23/377**
 D. 349,337 8/1994 Tsuji **D23/379**

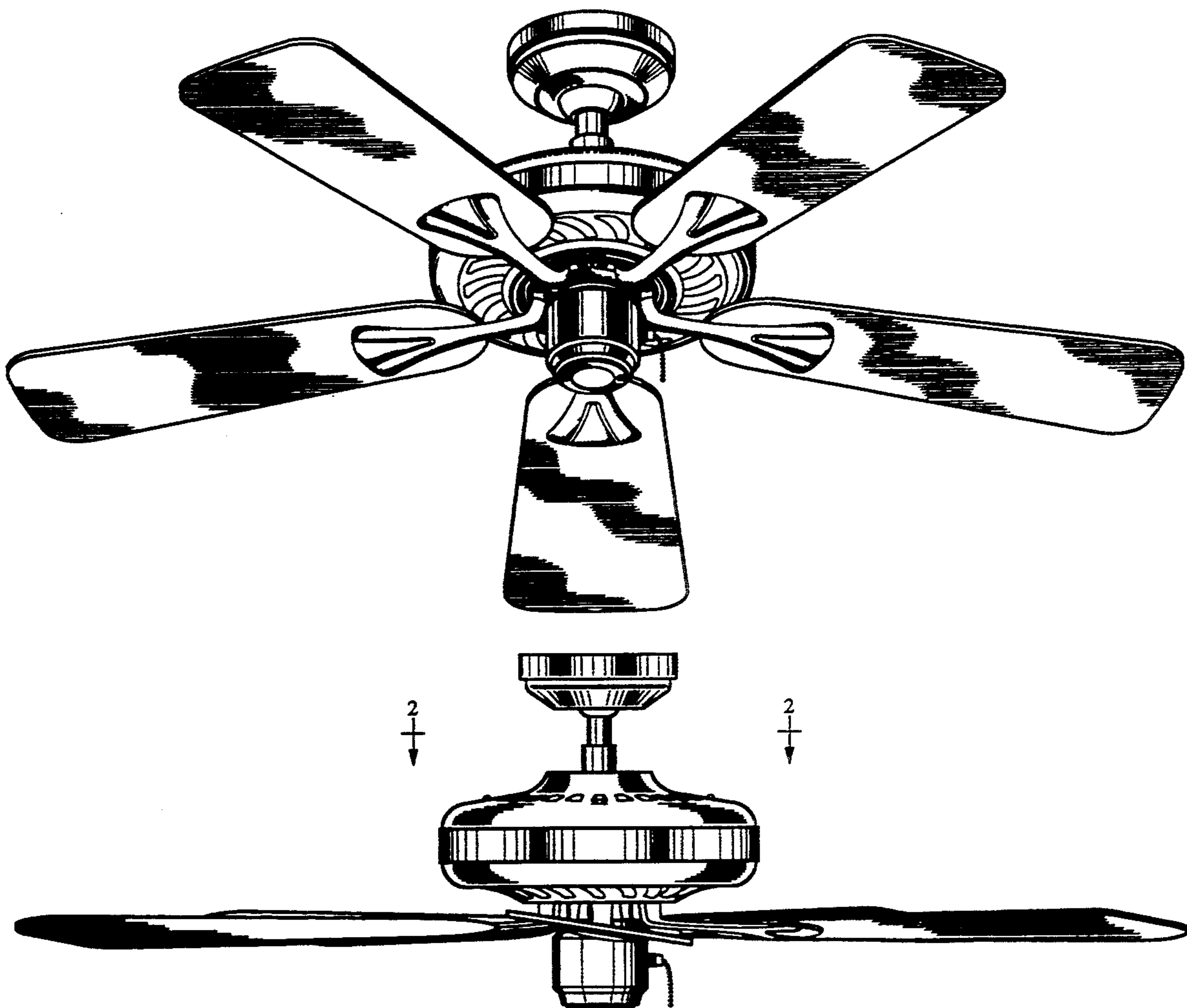
Primary Examiner—Lisa P. Lichtenstein
Attorney, Agent, or Firm—Baker, Donelson, Bearman & Caldwell

[57] CLAIM

The ornamental design for a ceiling fan, as shown and described.

DESCRIPTION

FIG. 1 is a side, bottom perspective view of a ceiling fan showing my new design;
 FIG. 2 is a top plan view thereof, on a reduced scale, taken along line 2—2 of FIG. 4;
 FIG. 3 is a bottom plan view thereof on a reduced scale; and,
 FIG. 4 is a side elevational view thereof, the remaining side views being substantially the same.



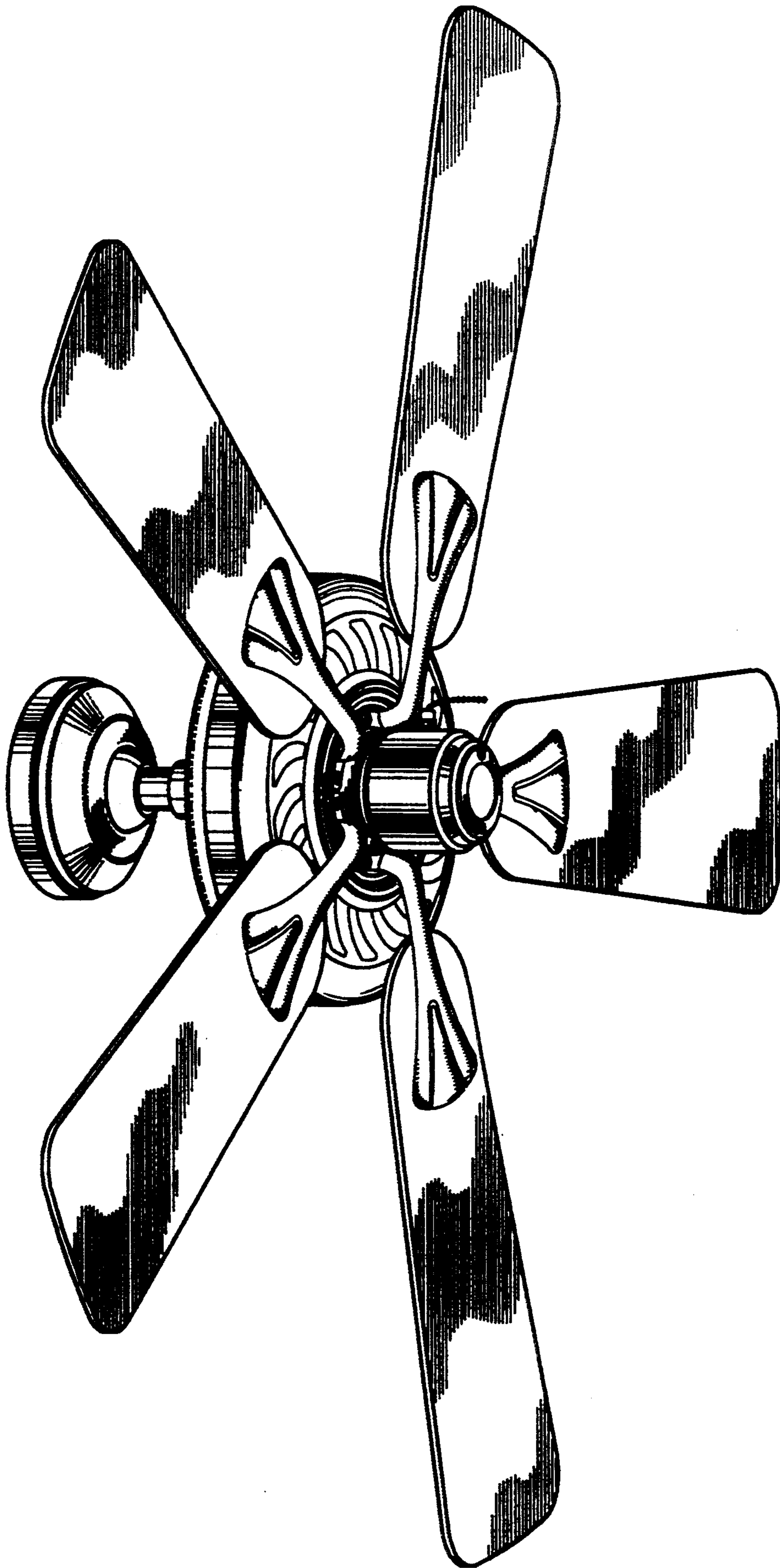


Fig.1

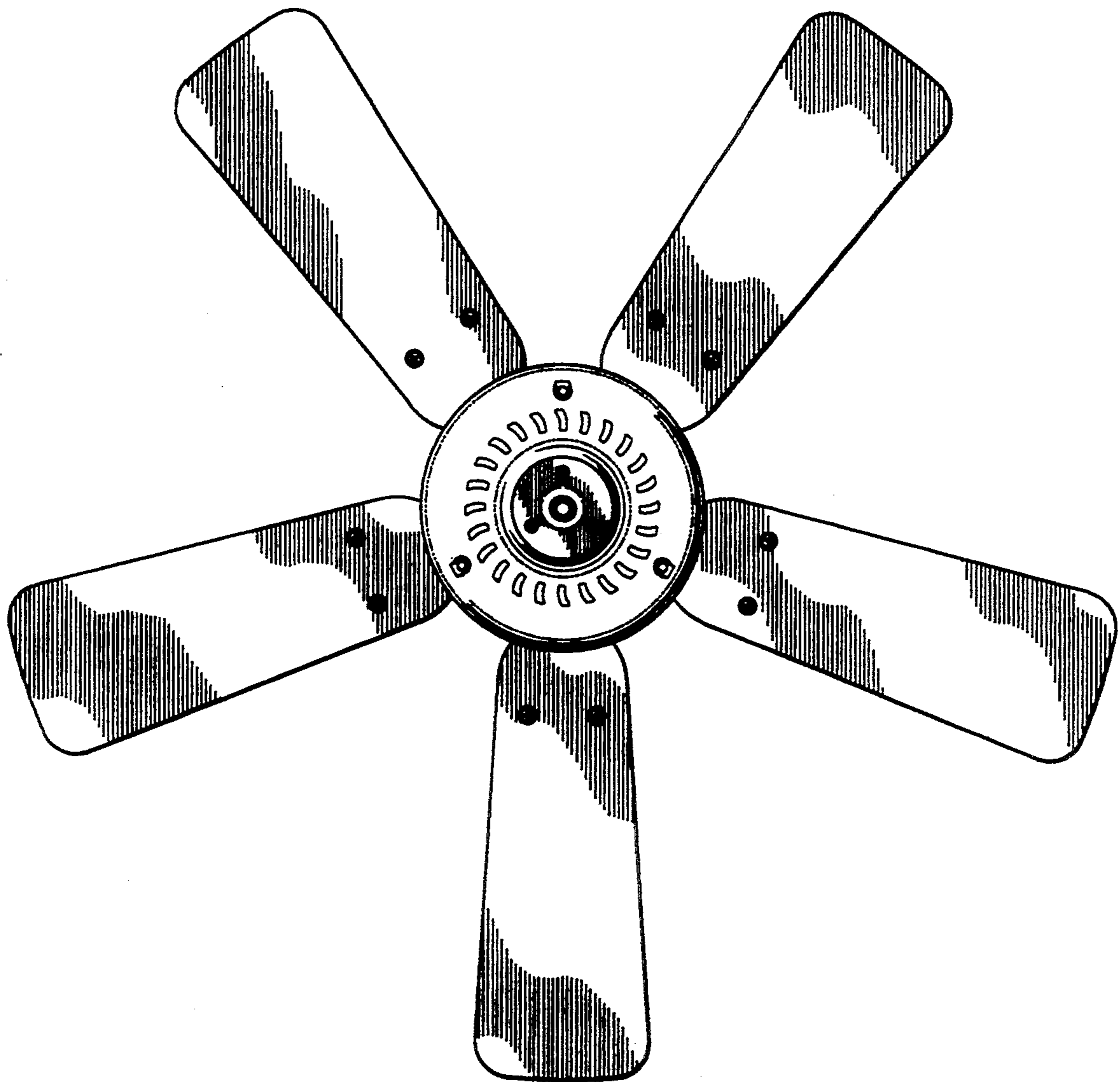


Fig.2

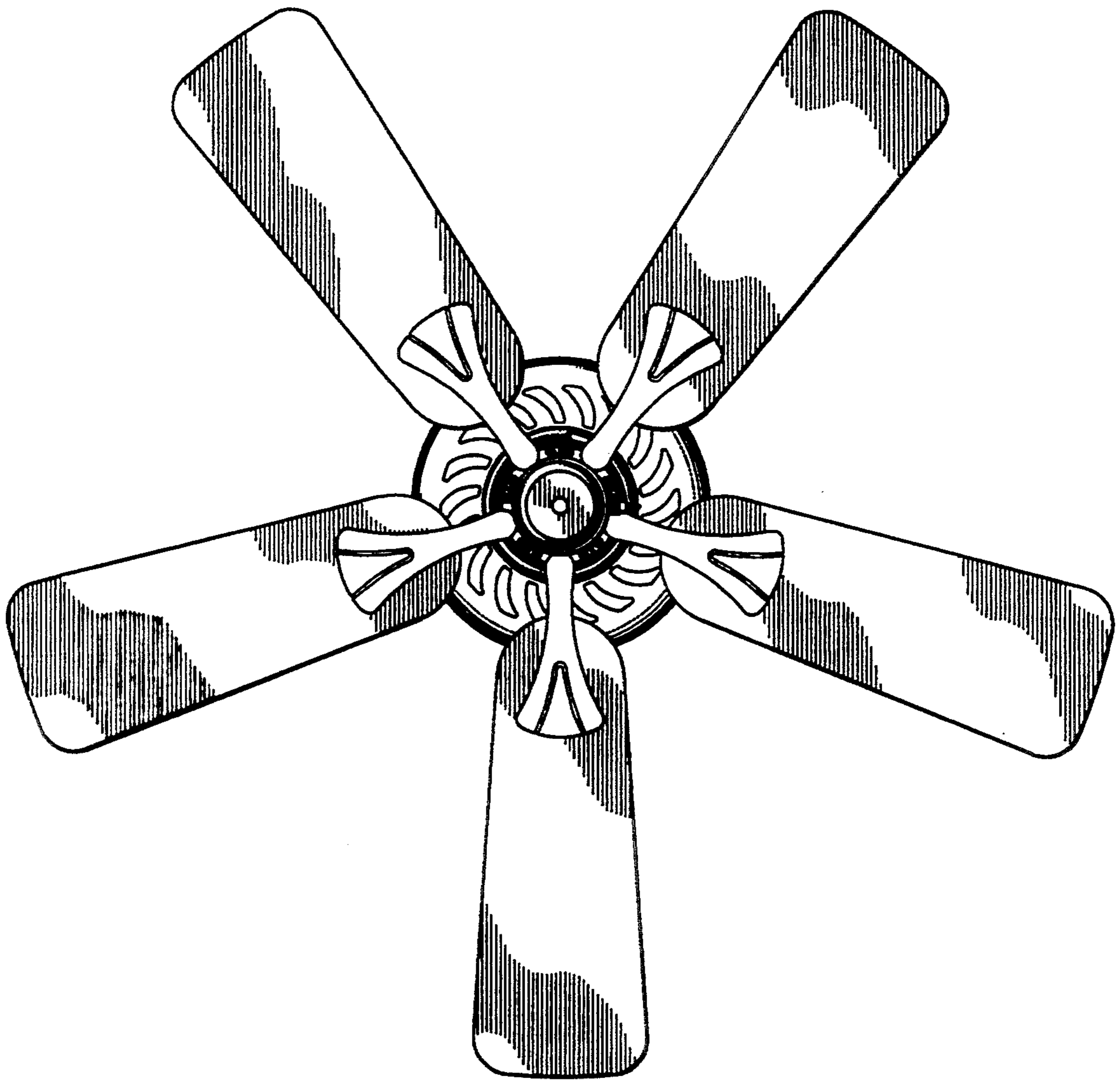


Fig.3

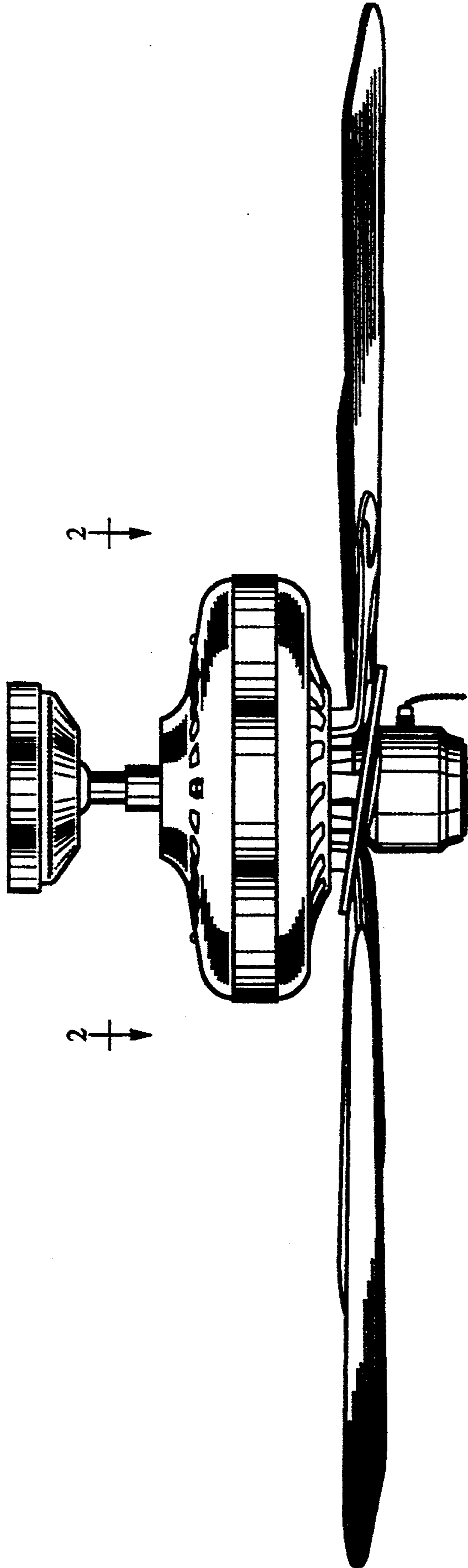


Fig.4