



US00D358877S

United States Patent [19]
Tsuji

[11] **Patent Number: Des. 358,877**

[45] **Date of Patent: ** May 30, 1995**

[54] **CEILING FAN**

[75] **Inventor: Masao Tsuji, Germantown, Tenn.**

[73] **Assignee: Hunter Fan Company, Memphis, Tenn.**

[**] **Term: 14 Years**

[21] **Appl. No.: 25,612**

[22] **Filed: Jul. 7, 1994**

[52] **U.S. Cl. D23/377; D23/379; D23/385**

[58] **Field of Search D23/377, 379, 385, 411, D23/413; D26/81-86, 88, 59, 72, 51; 416/5; 392/364; 362/96**

[56] **References Cited**

U.S. PATENT DOCUMENTS

D. 315,947	4/1991	Holbrook	D23/377
D. 324,266	2/1992	Holbrook	D23/411
D. 328,947	8/1992	Holbrook	D23/377
D. 349,336	8/1994	Tsuji	D23/77
D. 349,337	8/1994	Tsuji	D23/377

OTHER PUBLICATIONS

Hong Kong Enterprise, Jun. 1992, p. 124, Ceiling Fan A, middle of page.

Hunter Fan Co. Cat., ©1987, p. 3, Ceiling Fan Blade Irons A, top of page.

Primary Examiner—Lisa P. Lichtenstein

Attorney, Agent, or Firm—Baker, Donelson, Bearman & Caldwell

[57] **CLAIM**

The ornamental design for a ceiling fan, as shown and described.

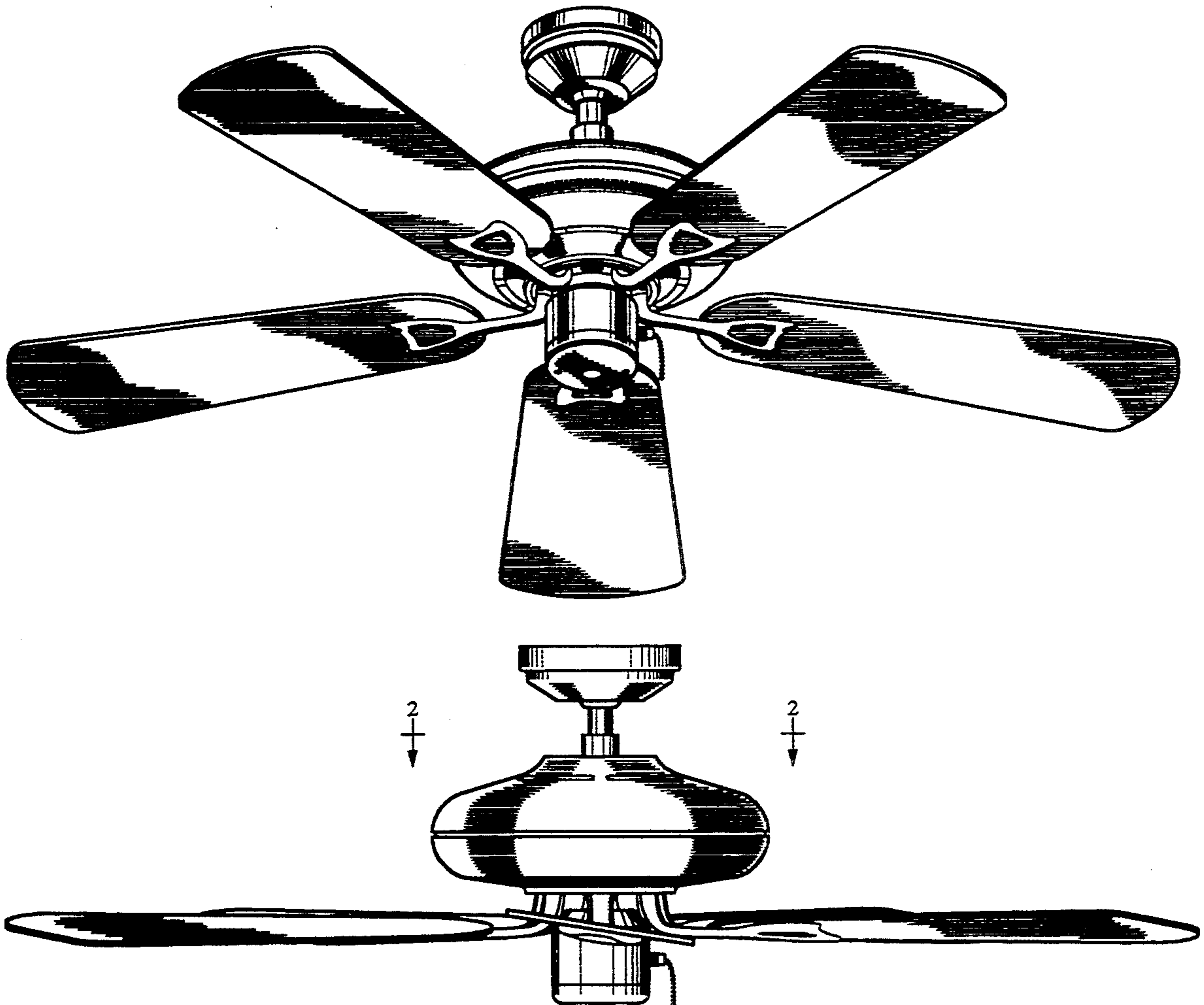
DESCRIPTION

FIG. 1 is a side, bottom perspective view of a ceiling fan showing my new design;

FIG. 2 is a top plan view thereof, on a reduced scale, taken along line 2—2 of FIG. 4;

FIG. 3 is a bottom plan view thereof on a reduced scale; and,

FIG. 4 is a side elevational view thereof, the remaining side views being substantially the same.



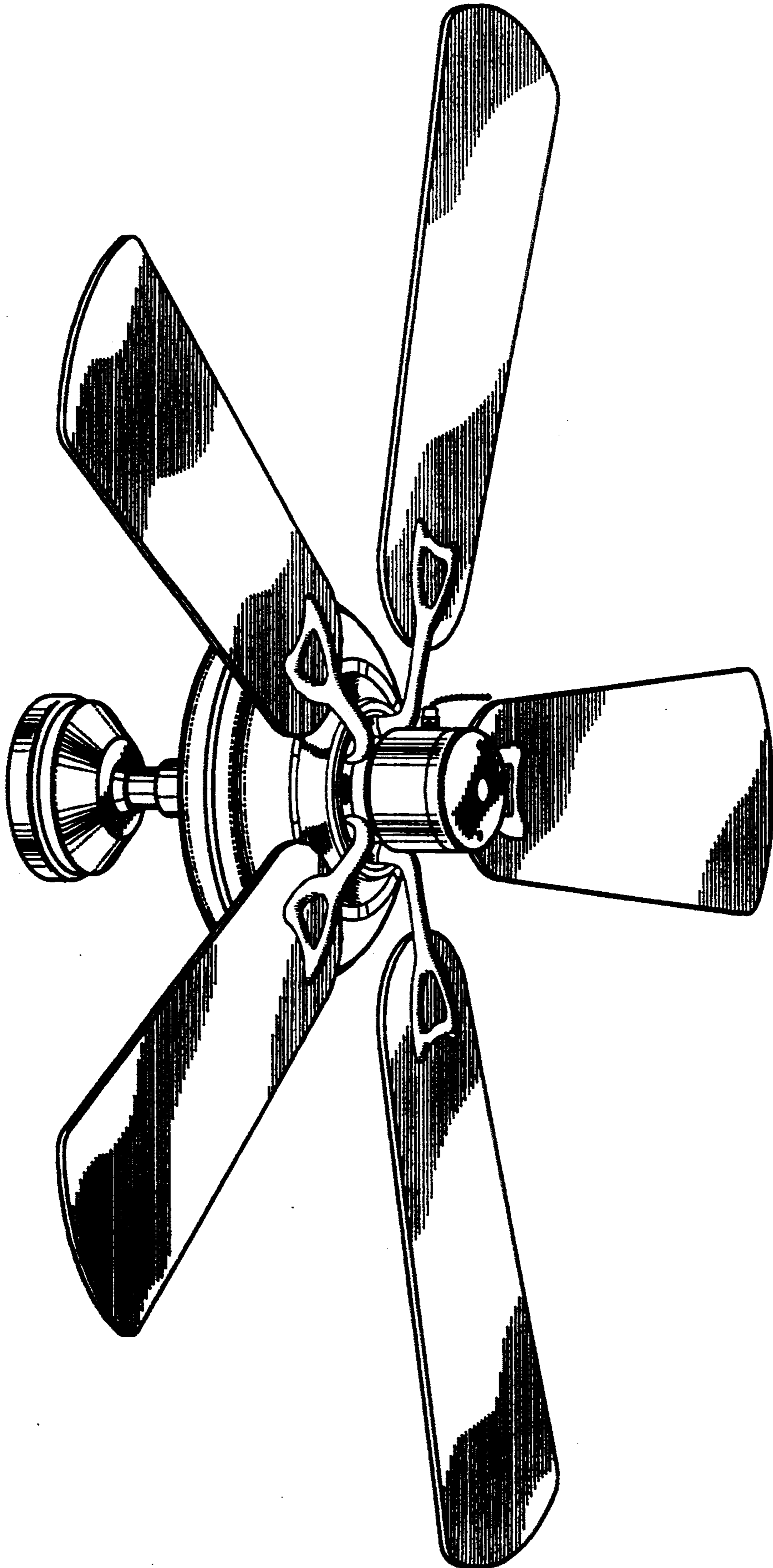


Fig. 1

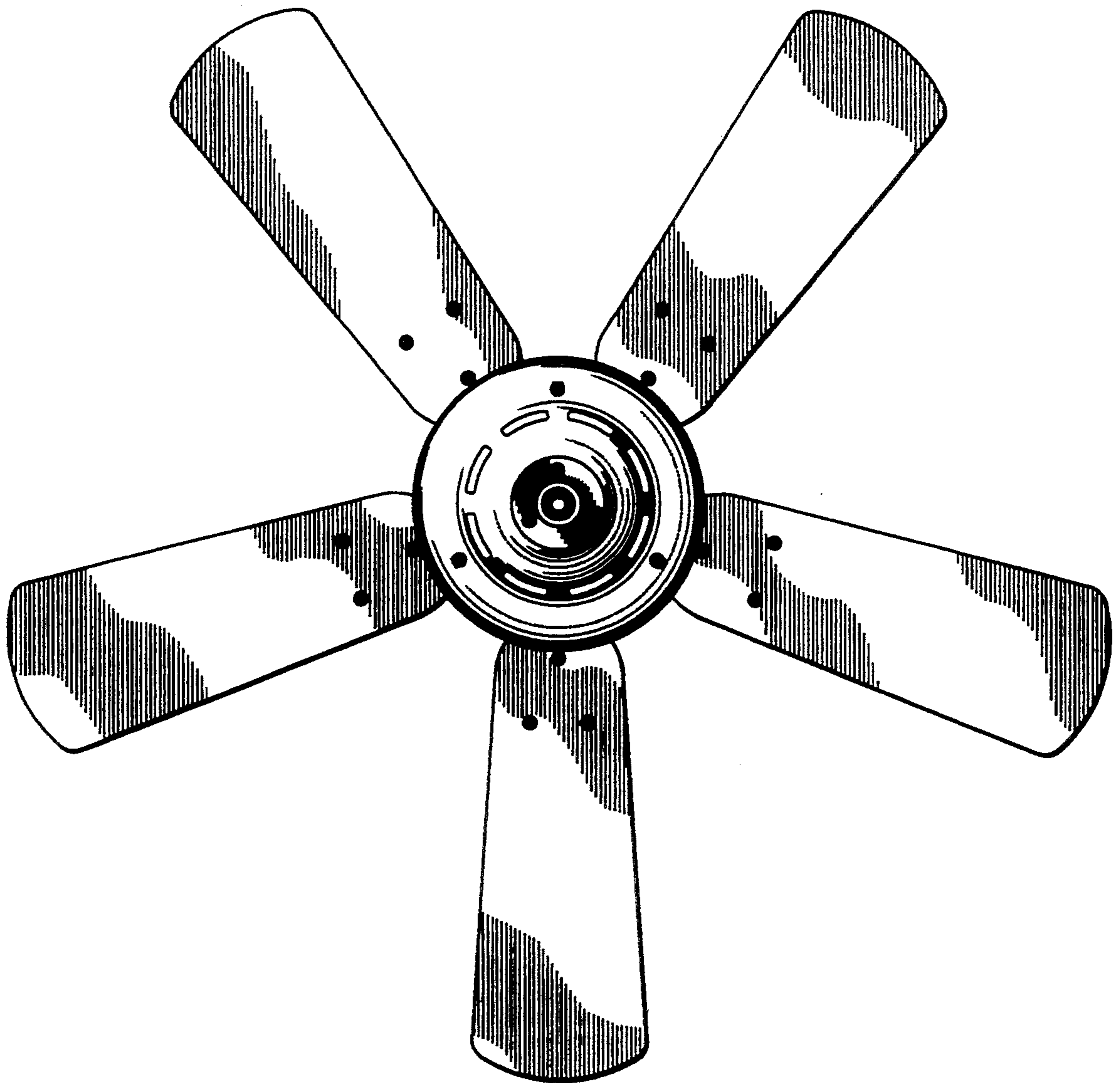


Fig.2

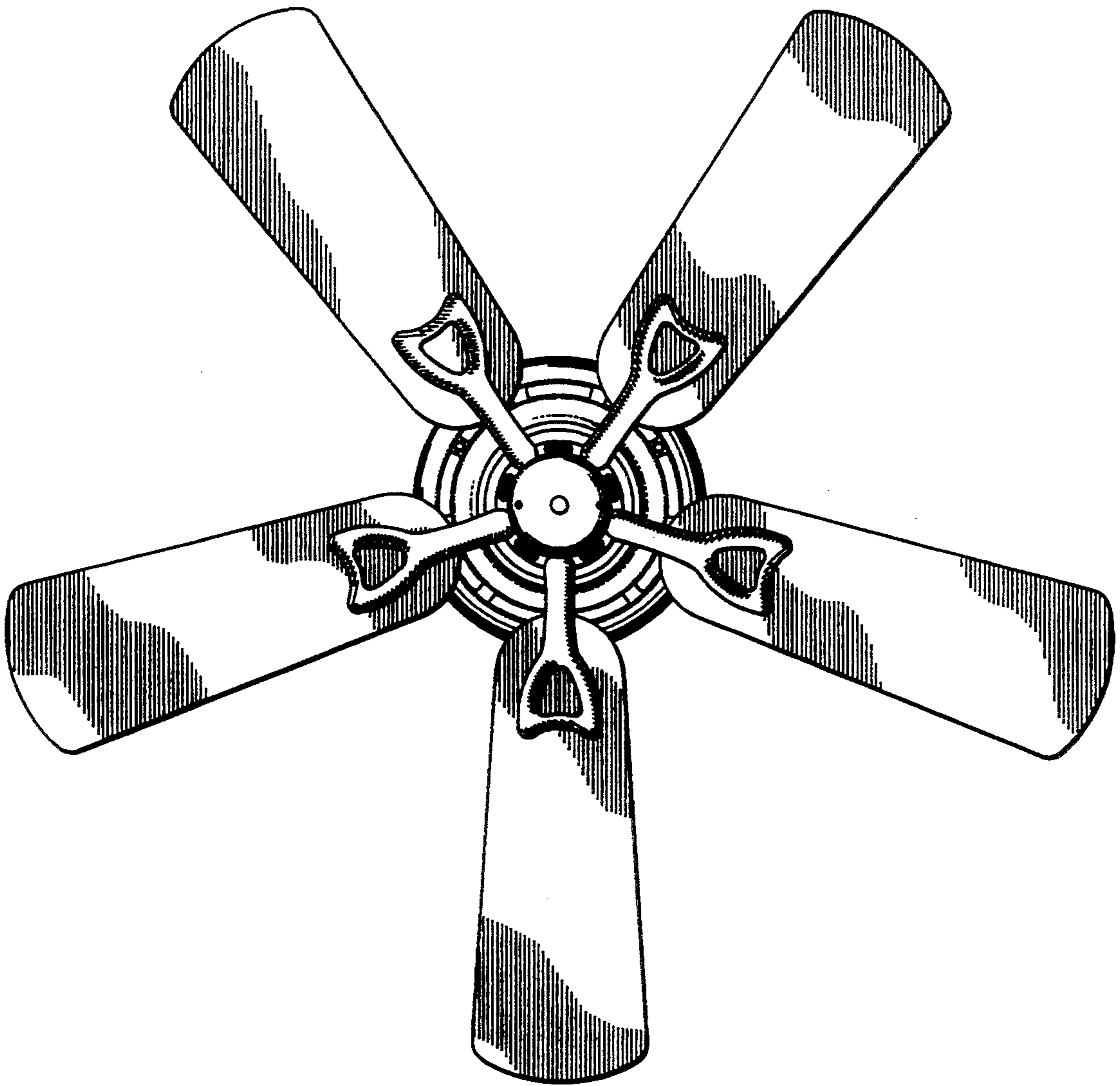


Fig.3

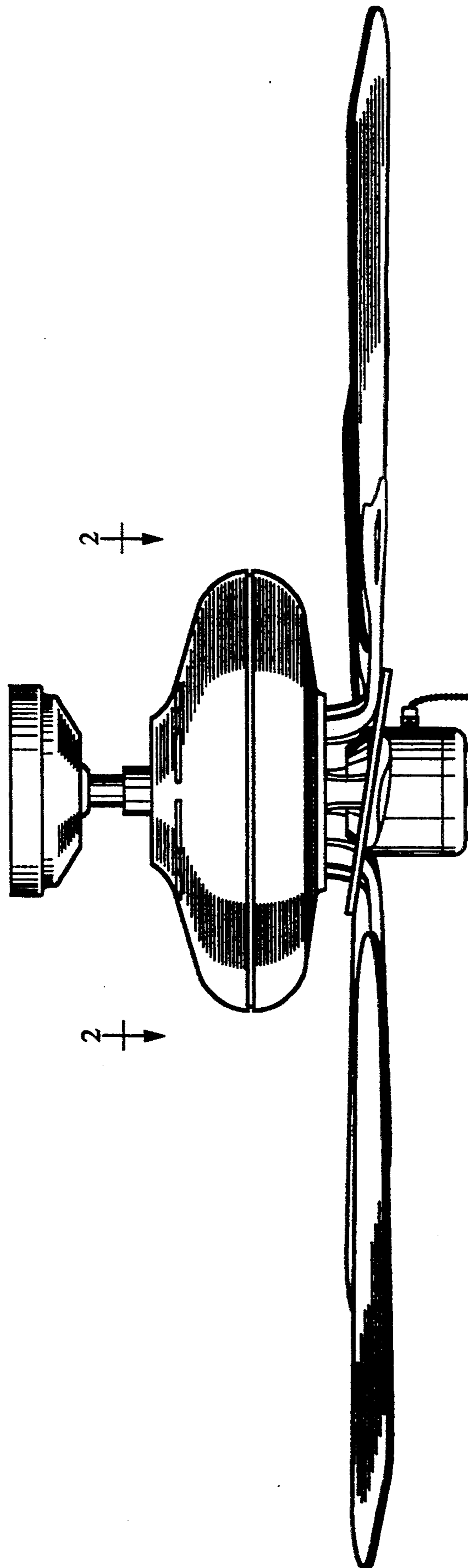


Fig.4