



US00D358875S

United States Patent [19]

[11] Patent Number: **Des. 358,875**

Spengler

[45] Date of Patent: **** May 30, 1995**

[54] **UNIT FOR REMOVING DUST FROM INDUSTRIAL EQUIPMENT BY SUBSTANTIALLY INCREASING AIR FLOW**

4,528,612 7/1985 Spengler 361/231

[76] Inventor: **Walter Spengler, CH-4105 Biel-Benken, Switzerland**

Primary Examiner—Lisa P. Lichtenstein
Attorney, Agent, or Firm—Burgess, Ryan & Wayne

[**] Term: **14 Years**

[57] **CLAIM**

[21] Appl. No.: **13,178**

The ornamental design for a unit for removing dust from industrial equipment by substantially increasing air flow, as shown and described.

[22] Filed: **Sep. 20, 1993**

DESCRIPTION

[30] **Foreign Application Priority Data**

FIG. 1 is a front perspective view showing the unit for removing dust from industrial equipment by substantially increasing air flow;
FIG. 2 is a rear perspective view thereof;
FIG. 3 is a top plan view thereof;
FIG. 4 is a bottom plan view thereof;
FIG. 5 is an enlarged left end perspective view thereof in one position; and,
FIG. 6 is an enlarged left end perspective view thereof in an alternative position.

Mar. 22, 1993 [WO] WIPO DM/025,589

[52] U.S. Cl. **D23/364; D23/355**

[58] Field of Search **D23/355, 364; 361/230, 361/231, 212, 216**

[56] **References Cited**

U.S. PATENT DOCUMENTS

1,735,494	11/1929	Chapman	361/230
2,163,294	6/1939	Simons	361/230
4,139,879	2/1979	Laws	361/231
4,227,894	10/1980	Proynoff	361/231

The right end of the design is substantially a mirror image of that shown except for the projecting tubes at the top right end.

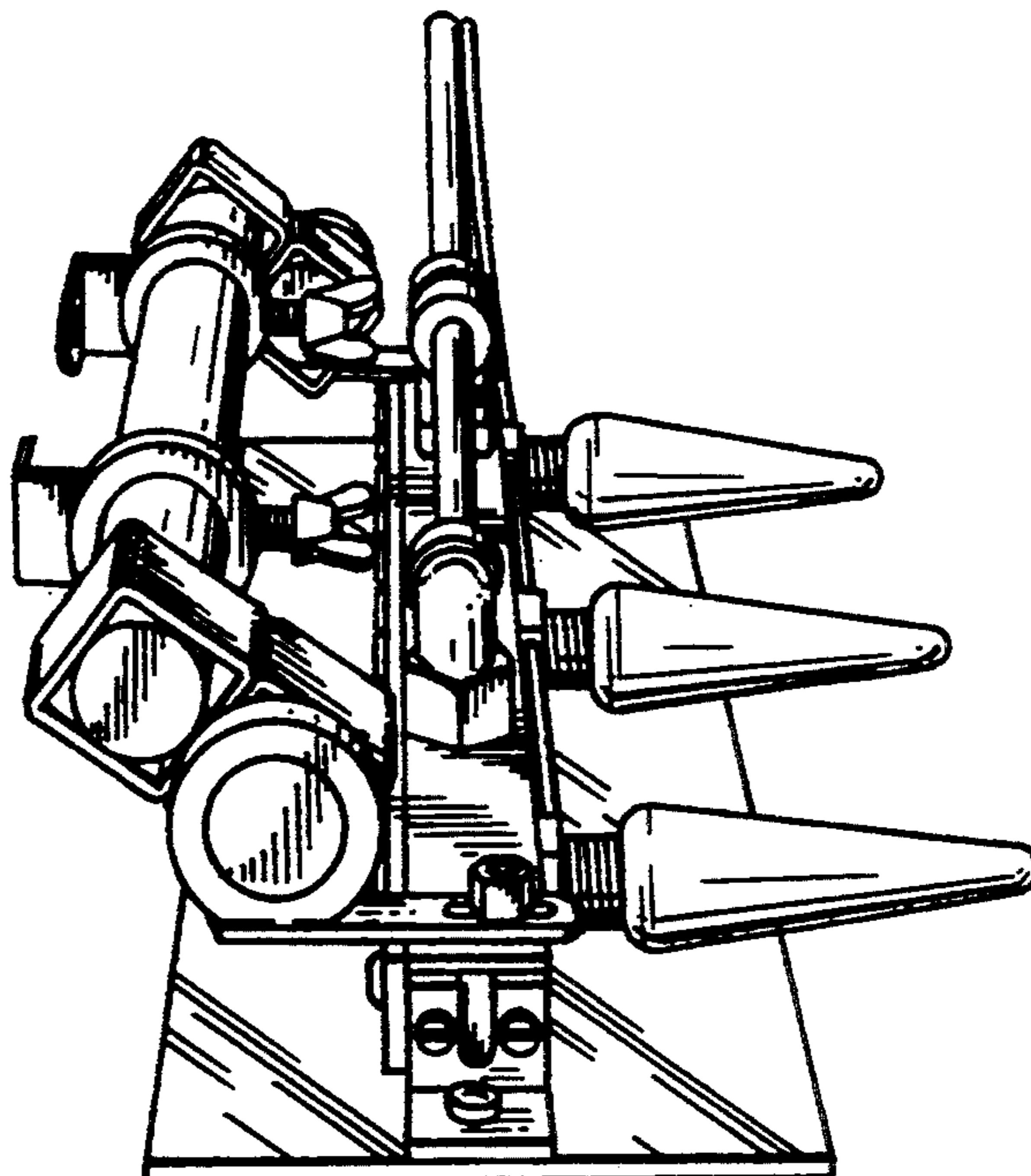




FIG. 1

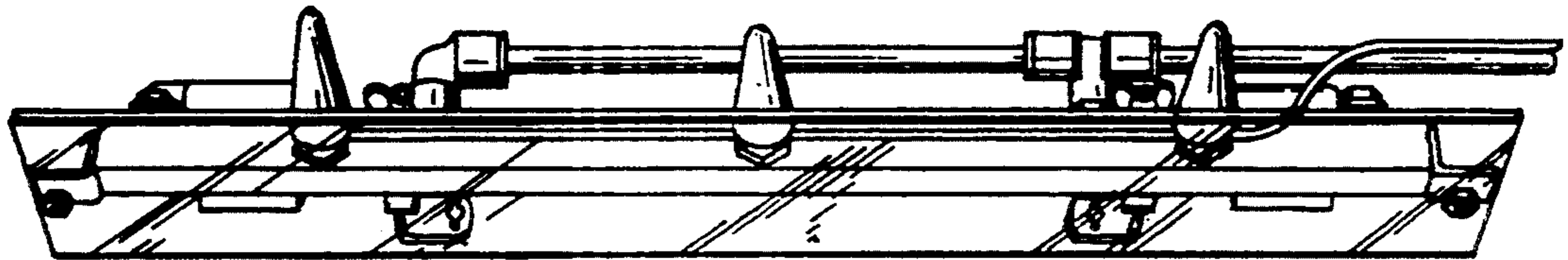


FIG. 2

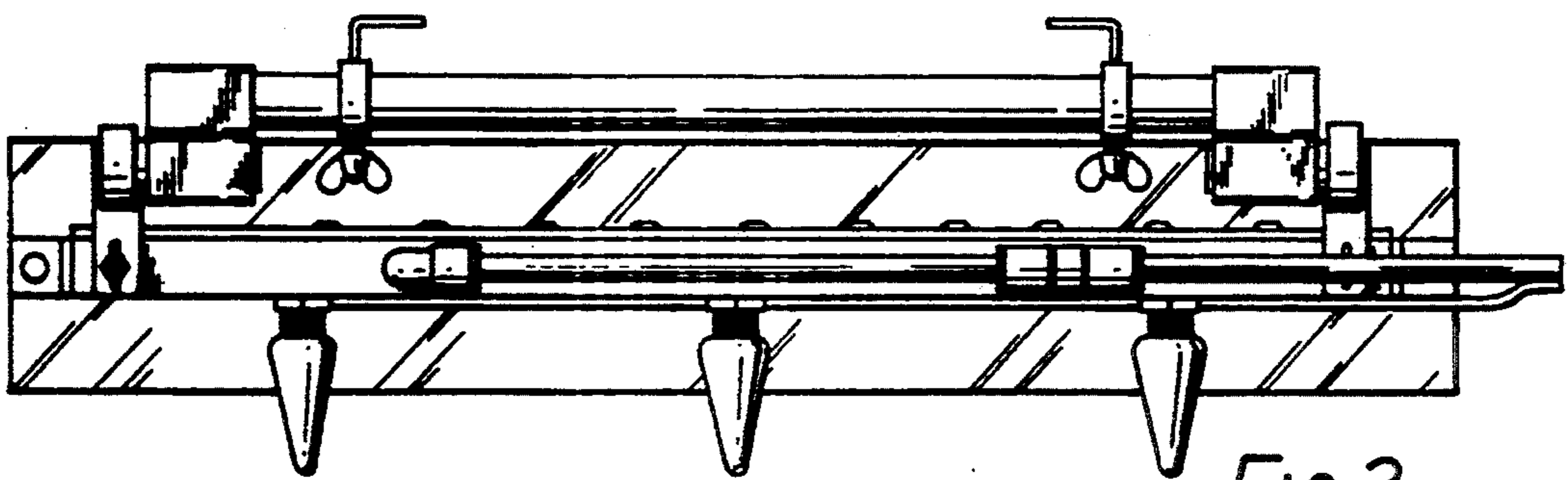


FIG. 3

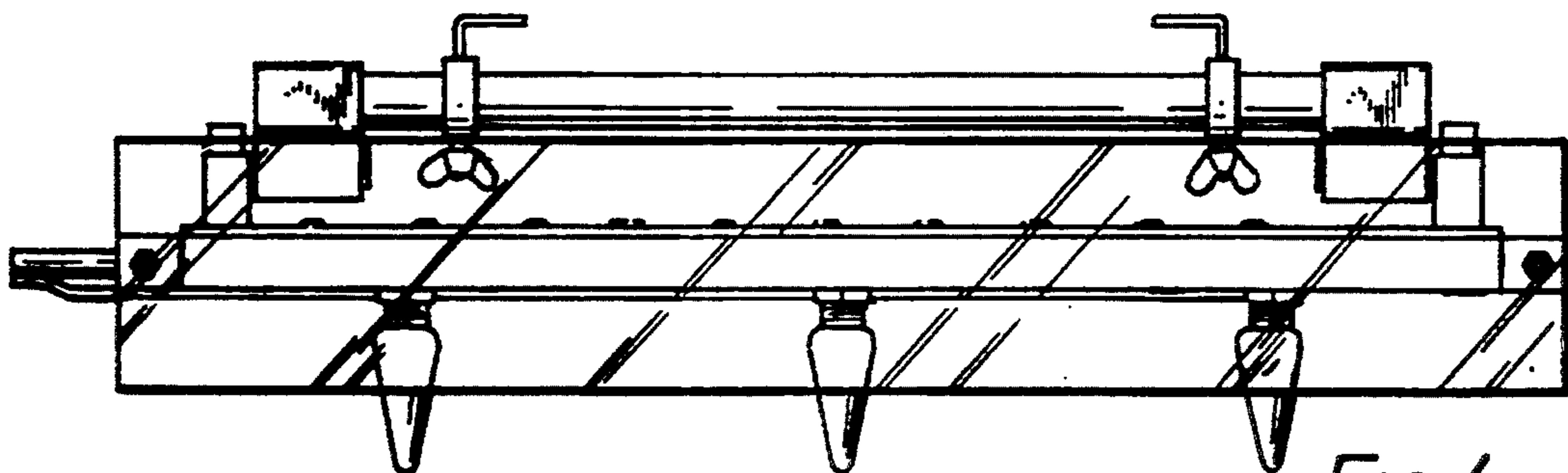


FIG. 4

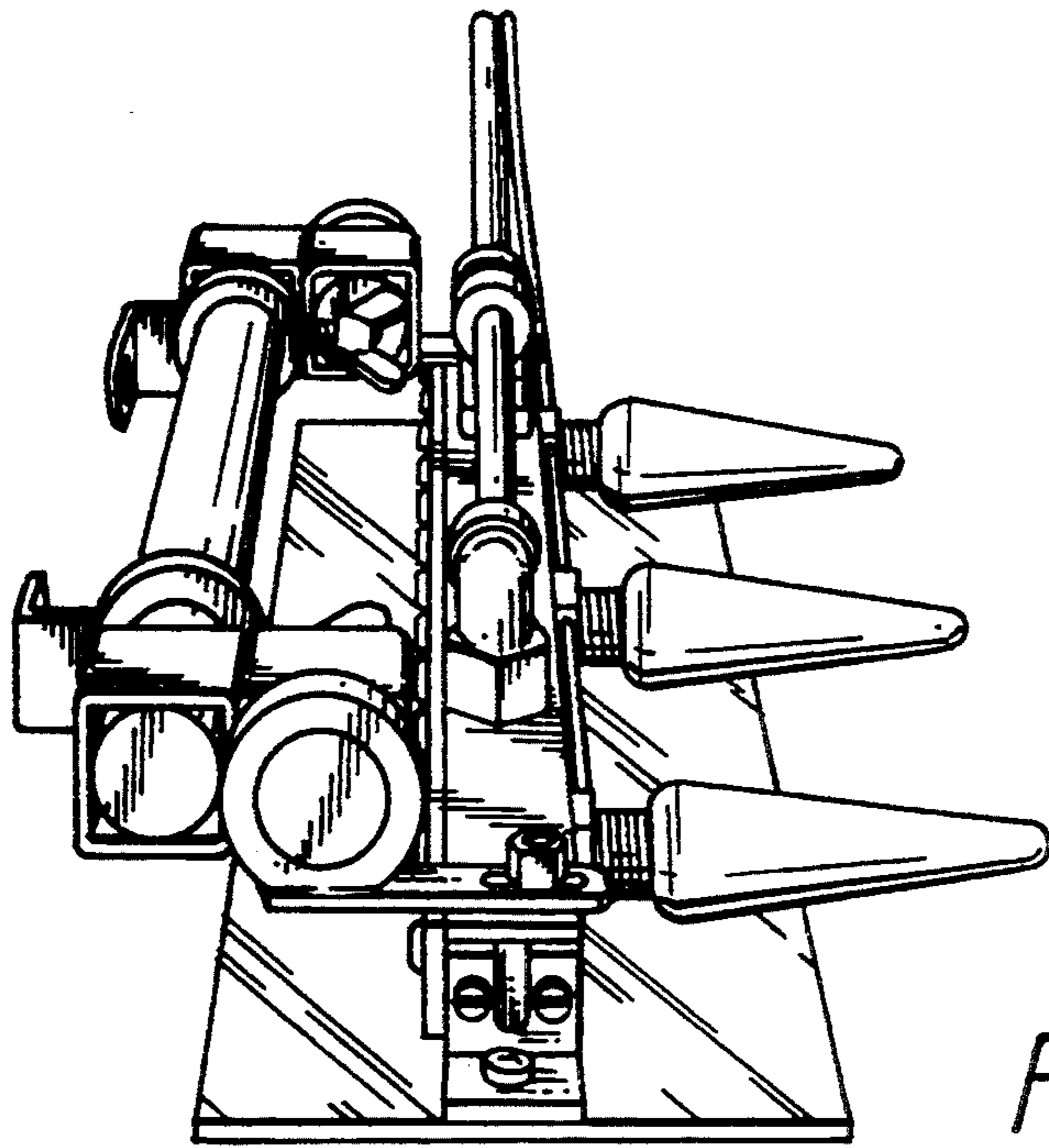


FIG. 5

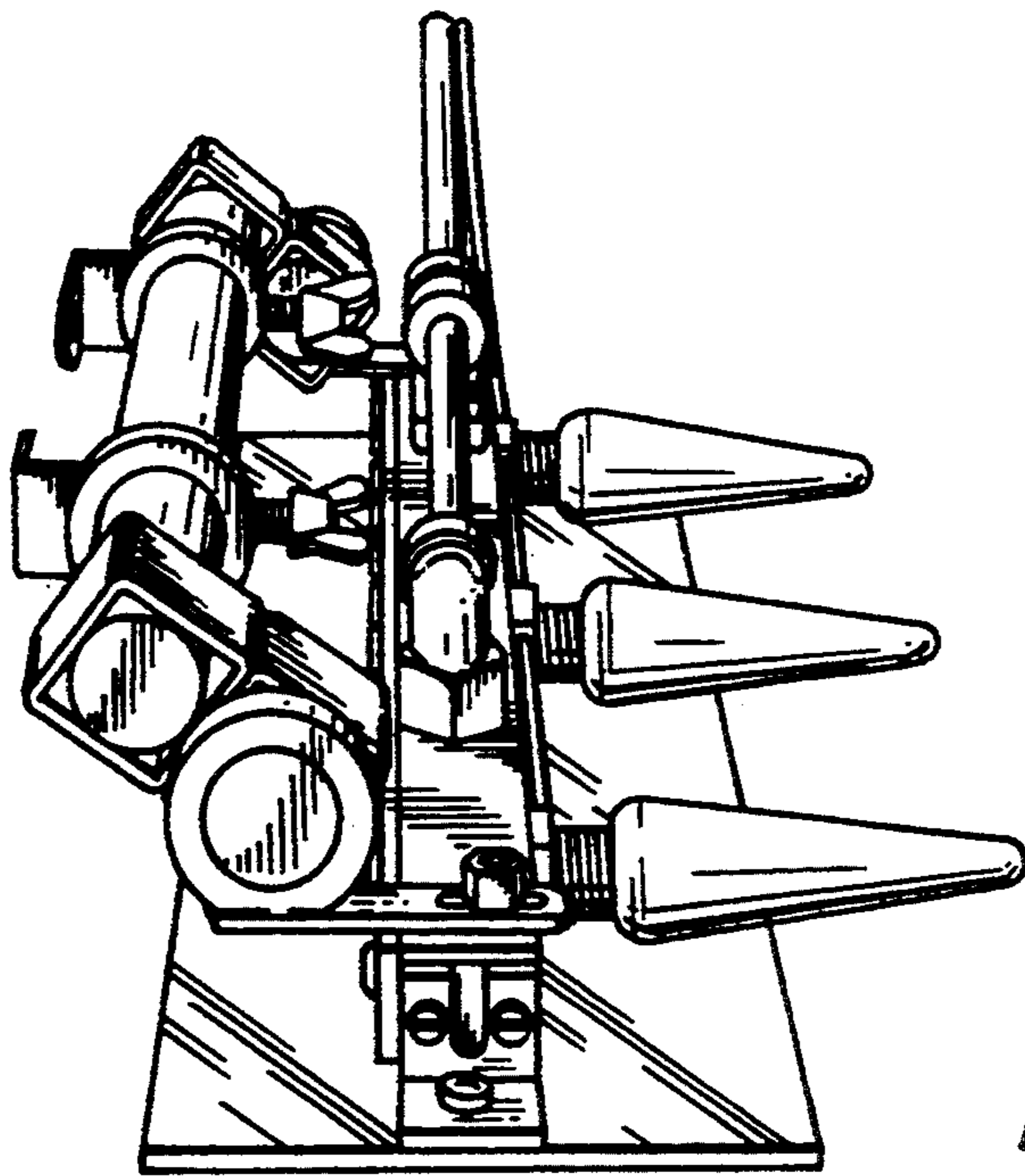


FIG. 6