



US00D358871S

United States Patent [19]

[11] Patent Number: **Des. 358,871**

Mathison et al.

[45] Date of Patent: **** May 30, 1995**

[54] REMOTE POSITIONING PNEUMATIC PLUG

[75] Inventors: **Allen D. Mathison**, Richfield; **Marc P. Bevacco**, New Hope, both of Minn.

[73] Assignee: **Cherne Industries Incorporated**, Minneapolis, Minn.

[**] Term: **14 Years**

[21] Appl. No.: **20,147**

[22] Filed: **Mar. 21, 1994**

[52] U.S. Cl. **D23/260**

[58] Field of Search **D23/259, 260; 15/104.061; 166/153, 192; 277/34.6; 220/352, DIG. 19; 138/89, 93, 97, 98, 109**

[56] References Cited

U.S. PATENT DOCUMENTS

2,927,609	3/1960	Vander Lans	138/93
4,445,542	5/1984	Fouss et al.	138/89 X
4,449,584	5/1984	Christensen	277/34.6
5,234,034	8/1993	Lyon	138/93
5,322,653	6/1994	Müller	138/98 X

OTHER PUBLICATIONS

Product Brochure, Cherne Industries Incorporated, 1990, p. 1 "Multi-Size Test-Ball Plugs".

Product Brochure, Cherne Industries Incorporated, 1993, p. 1 "Long Test-Ball Plugs".

Product Brochure, Cherne Industries Incorporated, 1992, p. 1 "Field Replaceable Sleeve Muni-Ball Plugs".

Primary Examiner—A. Hugo Word

Assistant Examiner—Eric Watterson

Attorney, Agent, or Firm—Anthony G. Eggink

[57] CLAIM

The ornamental design for a remote positioning pneumatic plug, as shown and described.

DESCRIPTION

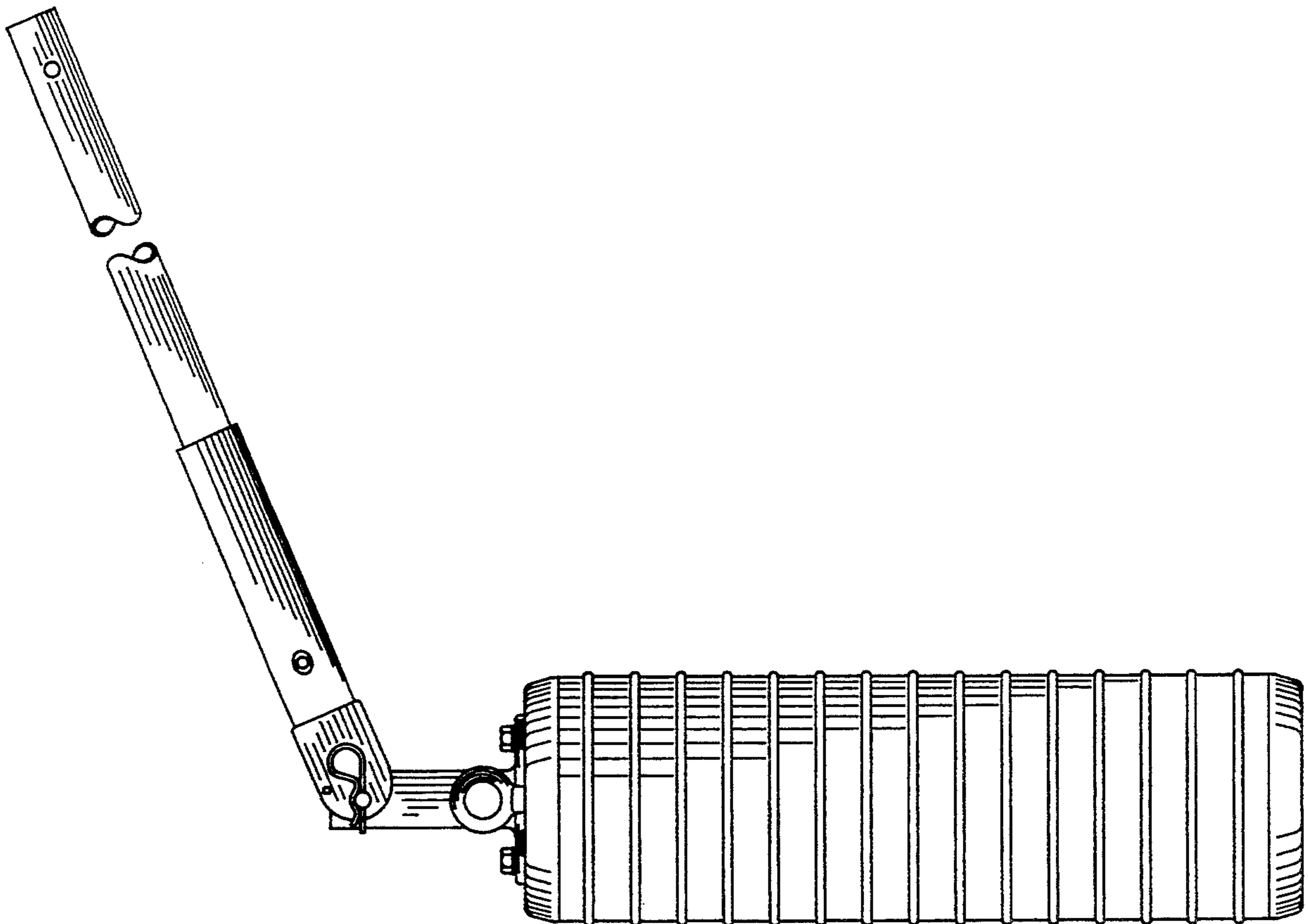
FIG. 1 is a side elevational view of a remote positioning pneumatic plug, showing our new design the opposite side being a mirror image thereof, except for the omission of the cotter pin and eye bolt;

FIG. 2 is a front elevational view thereof;

FIG. 3 is a top plan view thereof; and,

FIG. 4 is a rear elevational view thereof.

The handle shown broken away in FIGS. 1-4 is to indicate the indeterminate length of the elongated handle member.



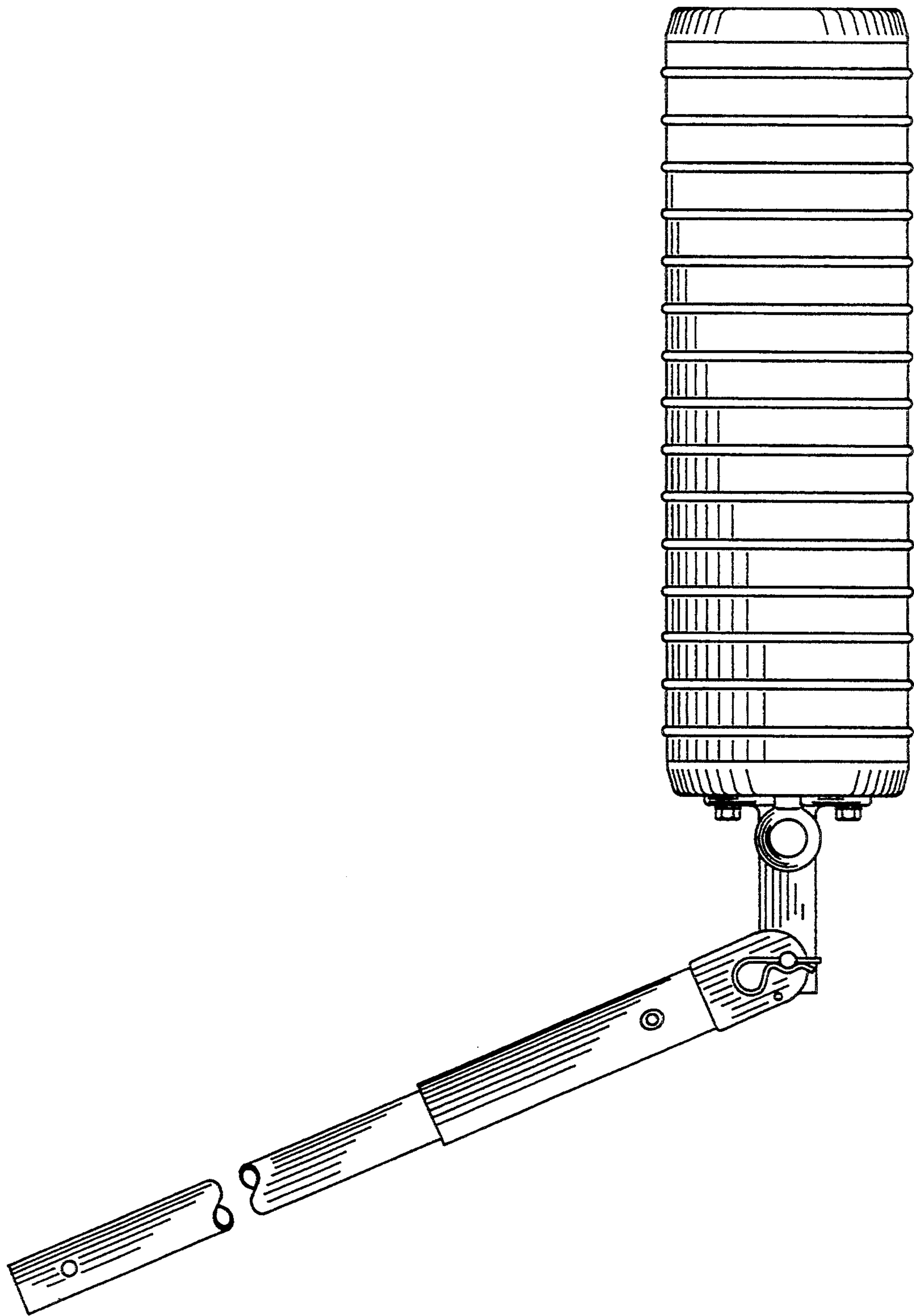


FIG. 1

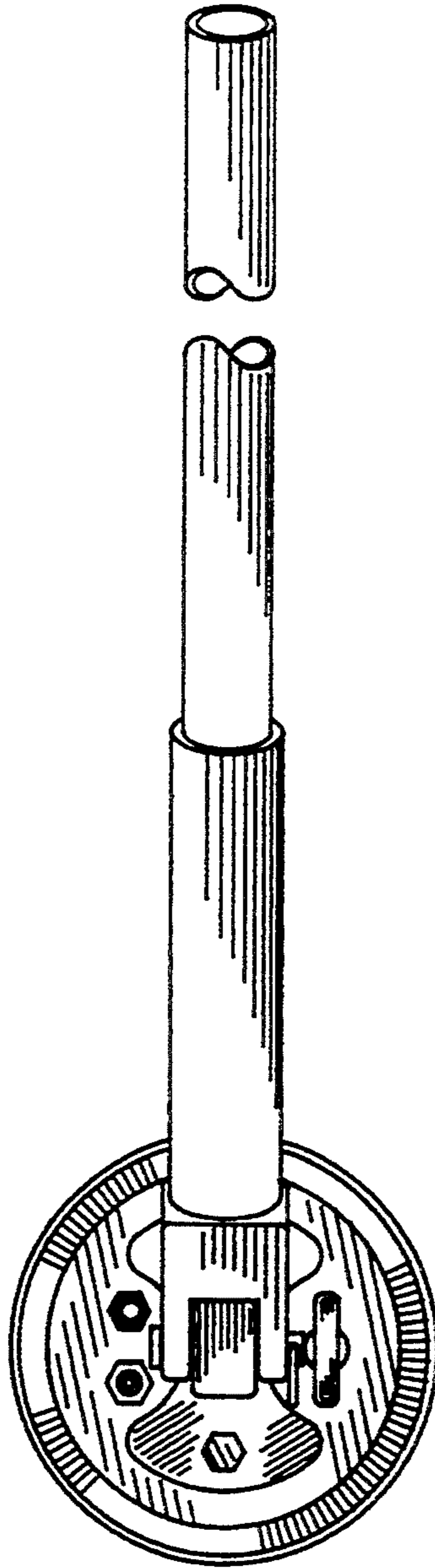


FIG. 2

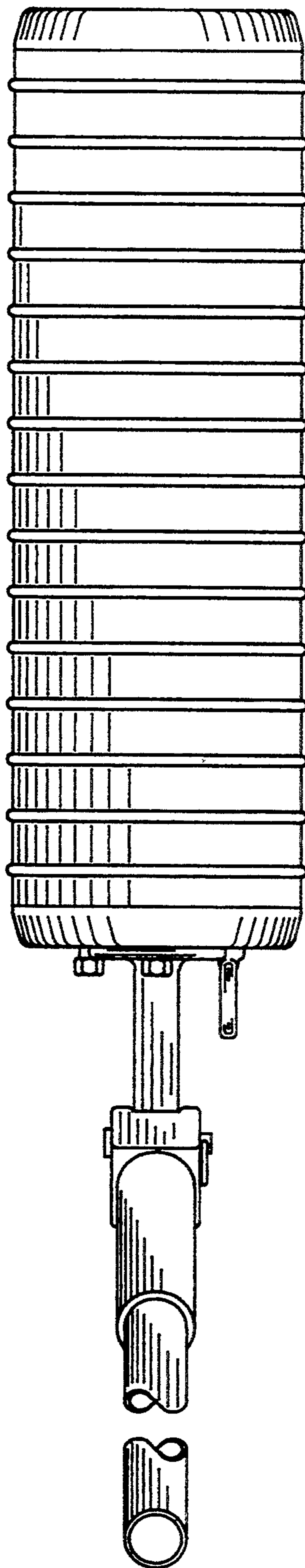


FIG. 3

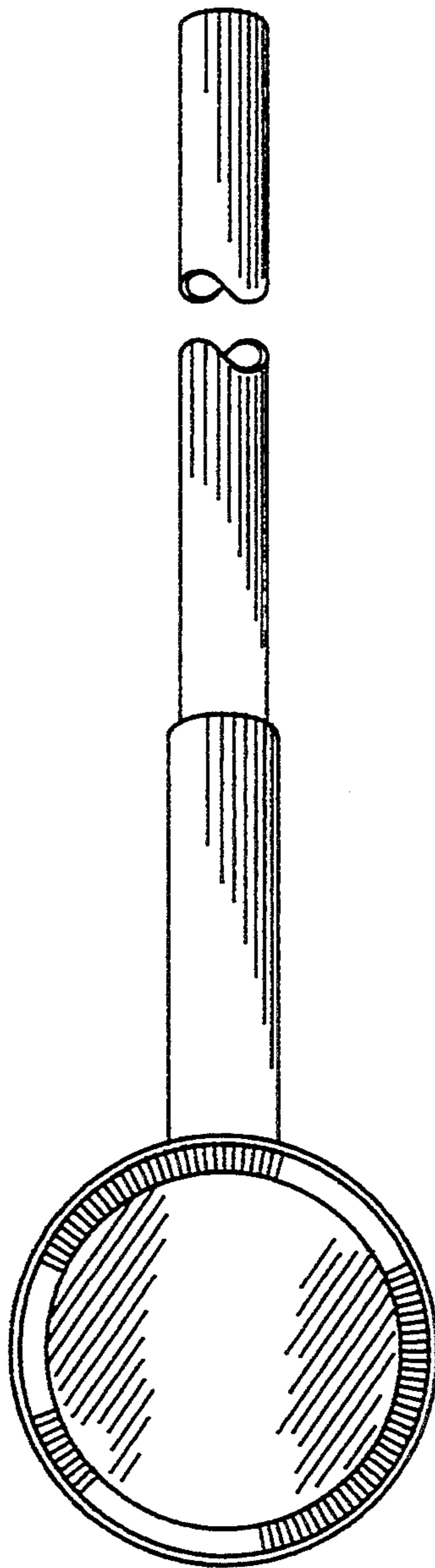


FIG. 4