



US00D358869S

# United States Patent [19]

[11] Patent Number: **Des. 358,869**

Mark et al.

[45] Date of Patent: **\*\* May 30, 1995**

[54] **KITCHEN FAUCET WITH LEVER HANDLE**

D. 290,492 6/1987 Hill et al. .... D23/238  
4,804,010 2/1989 Meissenberg ..... 4/675 X

[75] Inventors: **Darren M. Mark, Castaic; Hollis K. Yost, Santa Monica, both of Calif.**

*Primary Examiner*—A. Hugo Word  
*Assistant Examiner*—Eric Watterson  
*Attorney, Agent, or Firm*—J. Bruce Hoofnagle

[73] Assignee: **Emhart Inc., Newark, Del.**

[\*\*] Term: **14 Years**

[57] **CLAIM**

[21] Appl. No.: **27,405**

The ornamental design for kitchen faucet with lever handle, as shown and described.

[22] Filed: **Aug. 17, 1994**

**DESCRIPTION**

**Related U.S. Application Data**

[63] Continuation of Ser. No. 914,070, Jul. 16, 1992, abandoned.

FIG. 1 is a front view of my new design of a kitchen faucet with lever handle;

[52] U.S. Cl. .... **D23/238**

FIG. 2 is a rear view of my new design of the kitchen faucet with lever handle;

[58] Field of Search ..... **D23/238-243, D23/255-258; 4/675-678; 137/807**

FIG. 3 is a left side view of my new design of the kitchen faucet with lever handle, a right side view being a mirror image thereof;

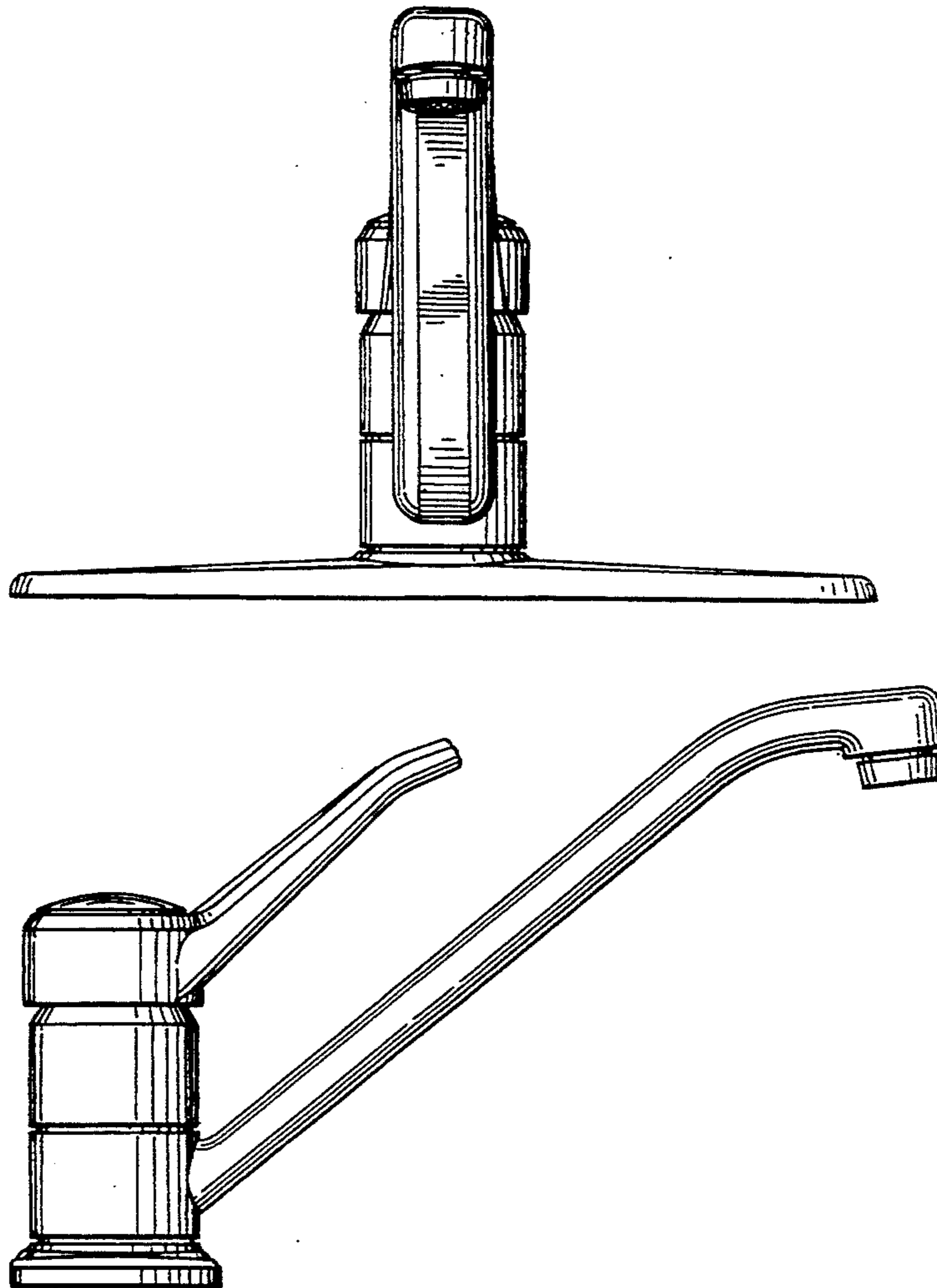
[56] **References Cited**

**U.S. PATENT DOCUMENTS**

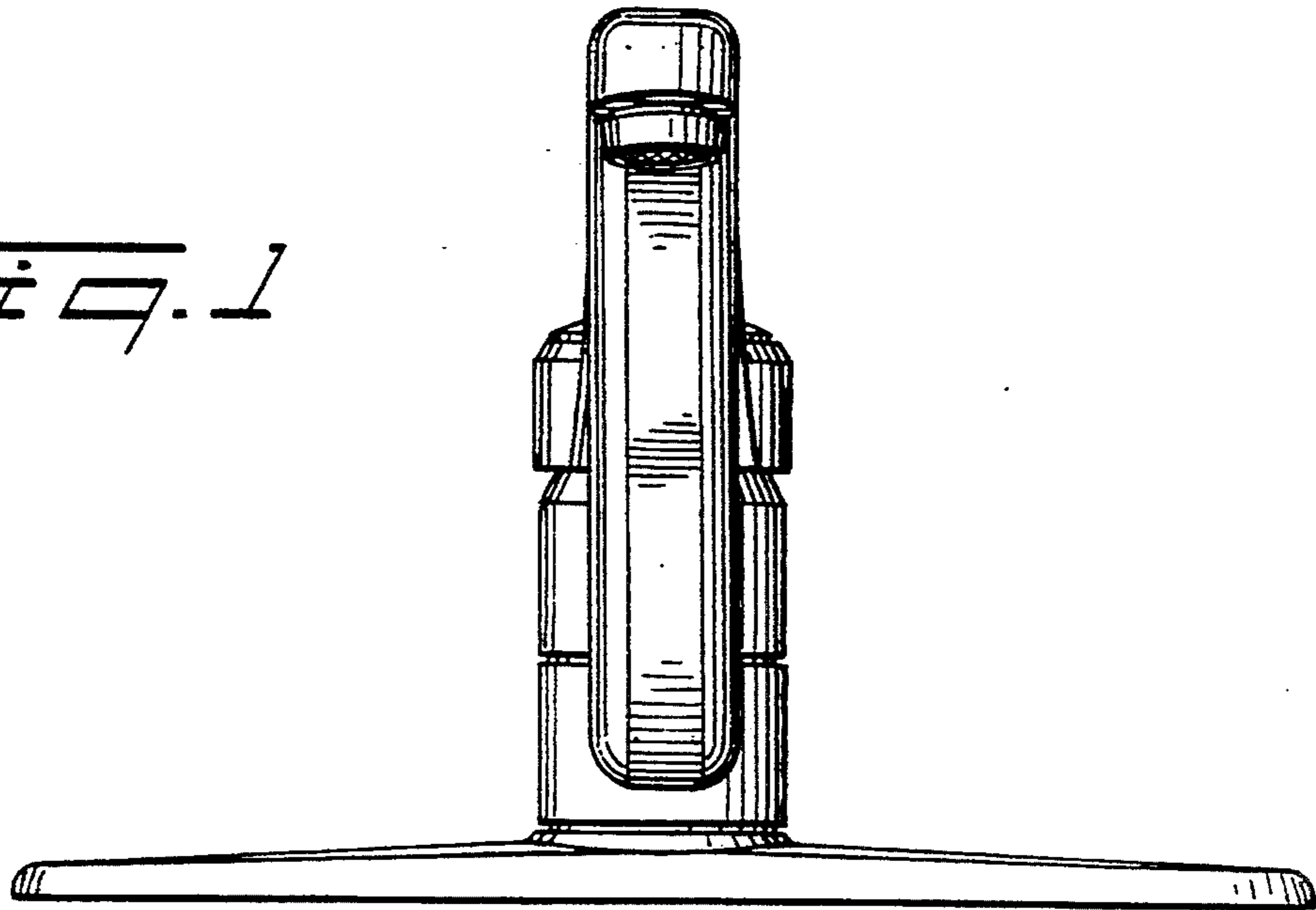
D. 203,246 12/1965 Harvey et al. .... D23/238  
D. 219,779 1/1971 Tiller ..... D23/238

FIG. 4 is a top view of my new design of the kitchen faucet with lever handle; and,

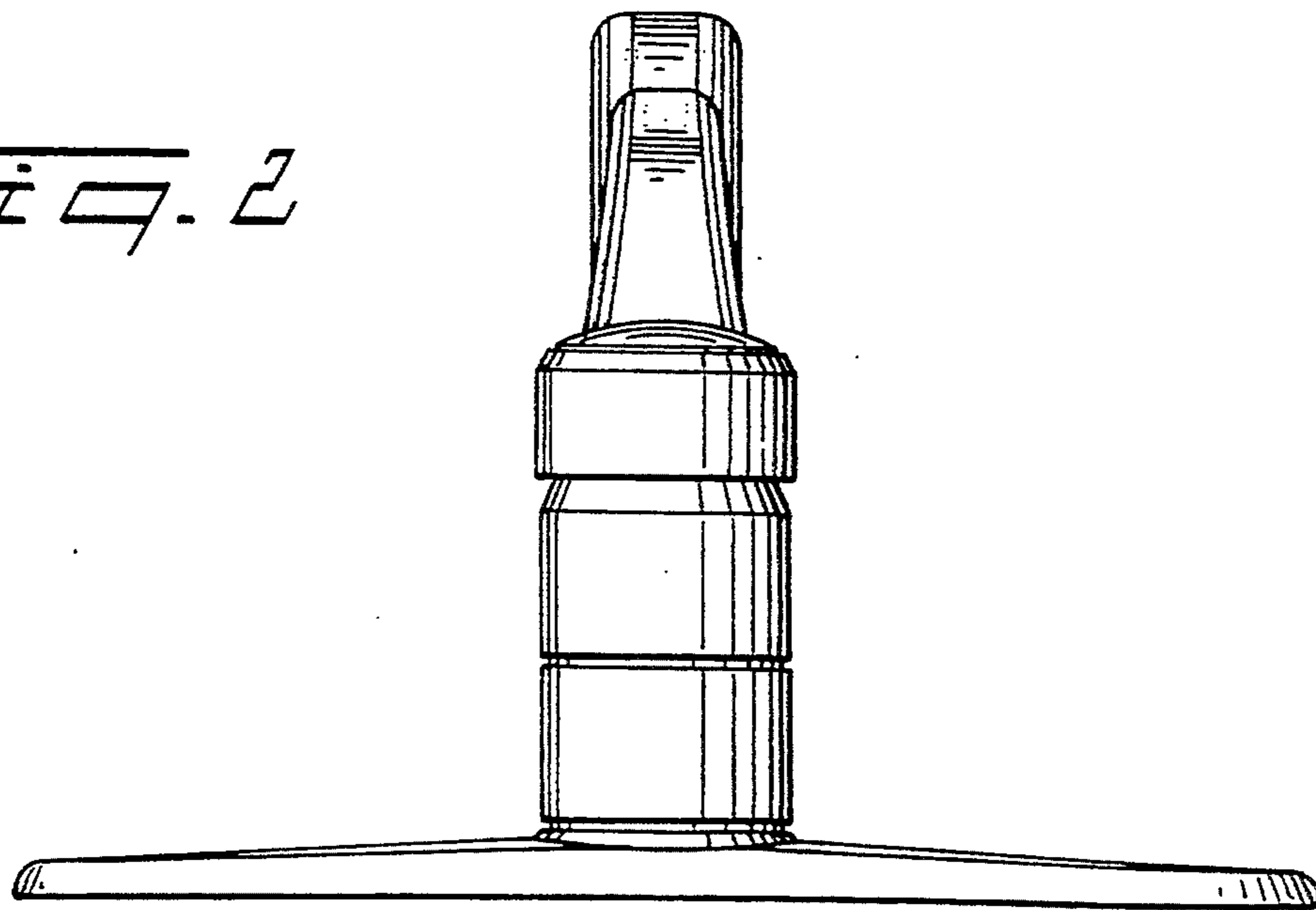
FIG. 5 is a bottom view of my new design of the kitchen faucet with lever handle.



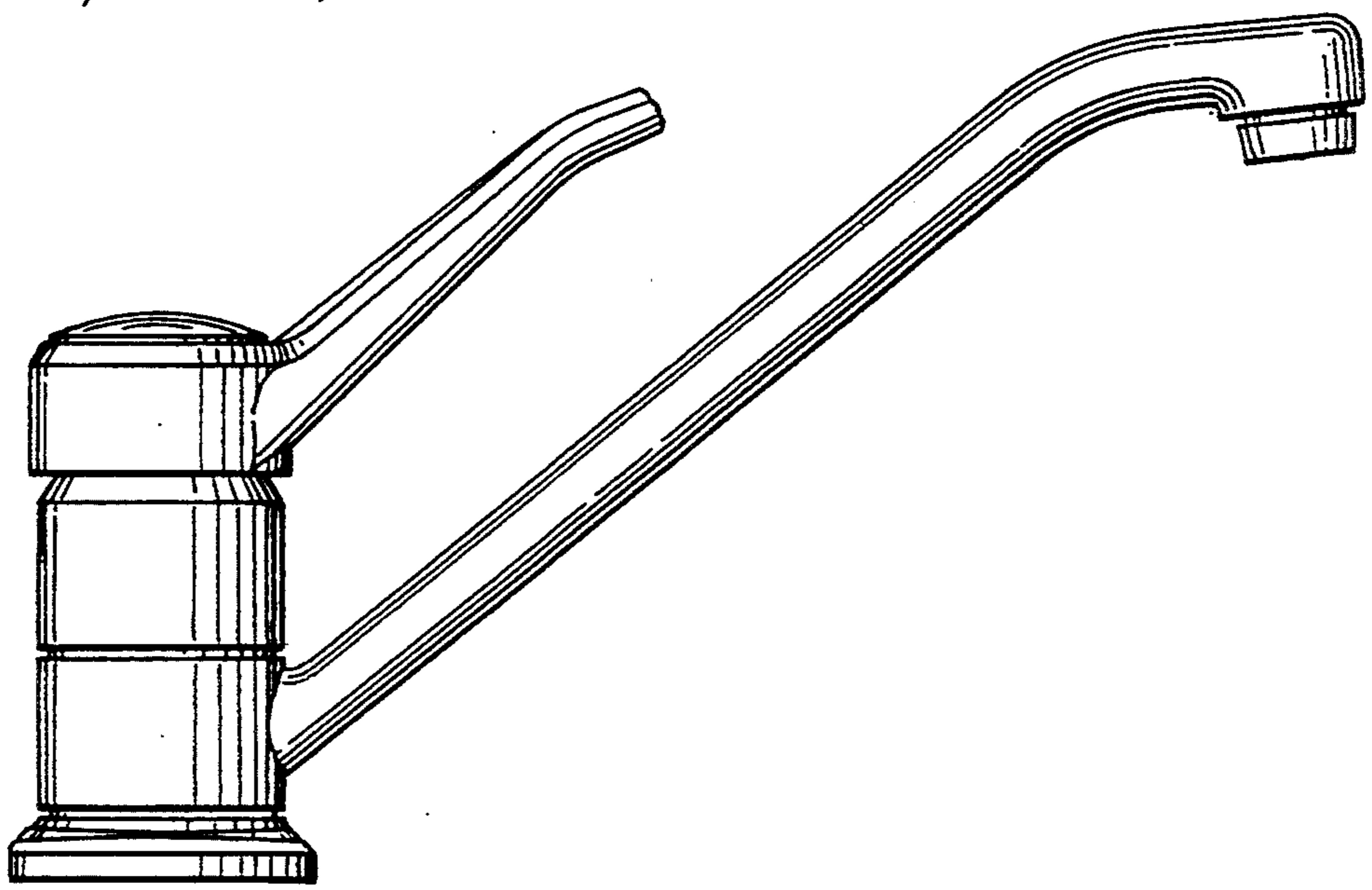
*Fig. 1*



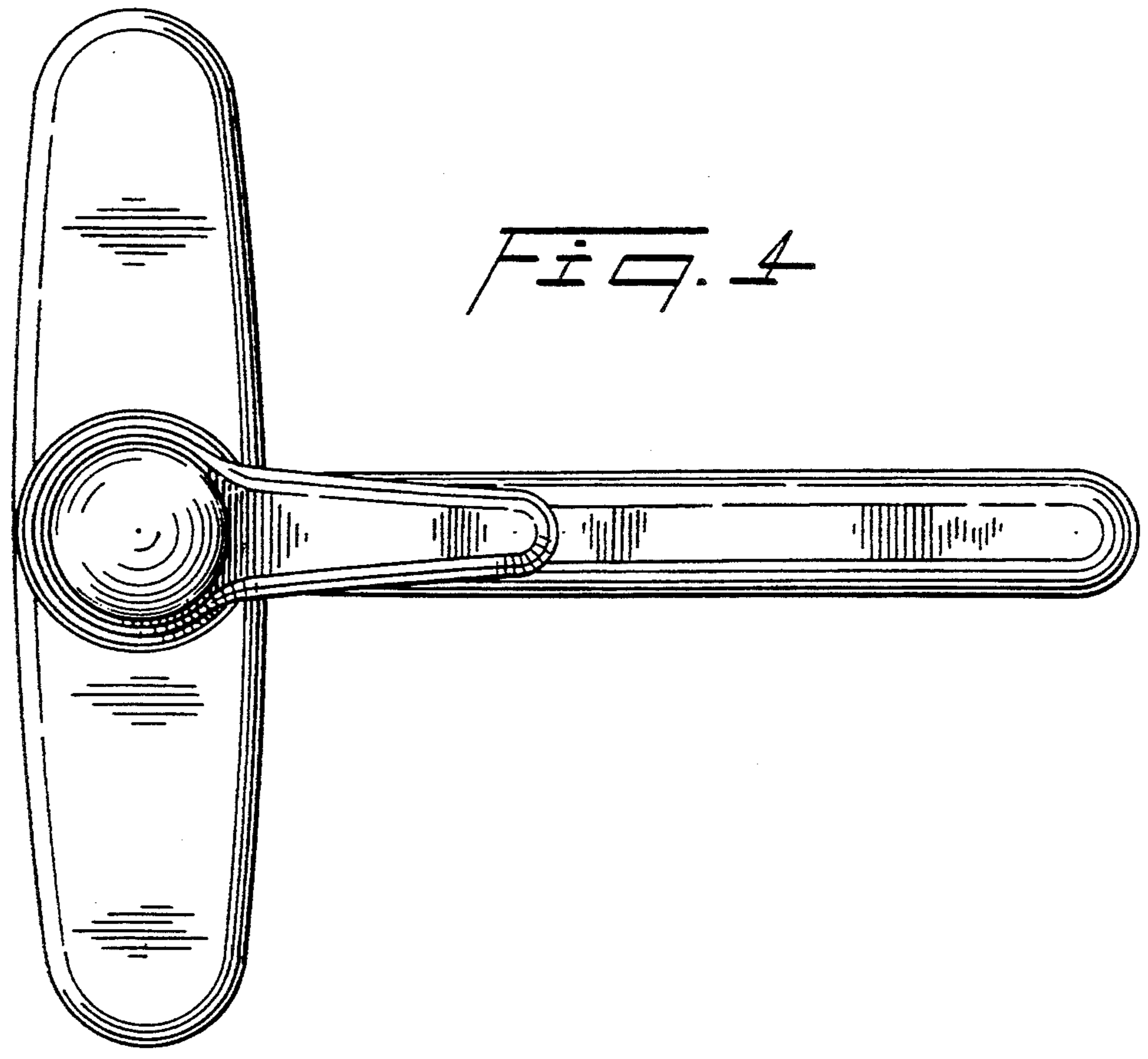
*Fig. 2*



*Fig. 3*



*Fig. 4*



*FIG. 3*

