



US00D358868S

# United States Patent [19]

[11] Patent Number: **Des. 358,868**

**Hembree et al.**

[45] Date of Patent: **\*\* May 30, 1995**

[54] **FAUCET MOUNTED WATER TREATMENT DEVICE**

[75] Inventors: **Richard D. Hembree; William E. Stumpf; Jeffrey A. Weber**, all of Minneapolis; **James L. Lund**, Lake Elmo, all of Minn.

[73] Assignee: **Recovery Engineering, Inc.**, Minneapolis, Minn.

[\*\*] Term: **14 Years**

[21] Appl. No.: **18,145**

[22] Filed: **Jan. 31, 1994**

[52] U.S. Cl. .... **D23/238; D23/207**

[58] Field of Search ..... **D23/200-213, D23/238, 239; 47/45.8 R, 45.8, 45.5 SG, 48.59, 48.5 M, 48.5 S, 48.5; 210/DIG. 4, 97, 139, 169, 193, 198.1, 200, 205, 206, 209, 211, 212, 222, 223, 231, 242.1, 243, 244, 245, 246, 257.1, 257.2; 222/174, 310, 372, 383, 384, 385, 465.1, 466, 468, 478, 481, 565, 567, 571, 573; 239/16-23, 289, 310, 317, 318, 375, 376, 377, 526, 583**

[56] **References Cited**

**U.S. PATENT DOCUMENTS**

D. 253,066	10/1979	Karamian	.....	D23/238
3,519,134	7/1970	Hassinger	.....	210/282
4,287,057	9/1981	Stanley	.....	210/290 X
4,504,389	3/1985	Rundzaitis	.....	210/282 X
5,171,442	12/1992	Nakshbendi	.....	210/288 X
5,344,558	9/1994	Kool	.....	210/282 X

*Primary Examiner*—Louis S. Zarfaz  
*Assistant Examiner*—Monica A. Hannon  
*Attorney, Agent, or Firm*—Merchant, Gould, Smith, Edell, Welter & Schmidt

[57] **CLAIM**

The ornamental design for a faucet mounted water treatment device, as shown.

**DESCRIPTION**

FIG. 1 is a perspective view of a faucet mounted water treatment device showing our new design; FIG. 2 is a front elevational view thereof; FIG. 3 is a rear elevational view thereof; FIG. 4 is a left side elevational view thereof; FIG. 5 is a right side elevational view thereof; FIG. 6 is a top plan view thereof; and, FIG. 7 is a bottom plan view thereof.

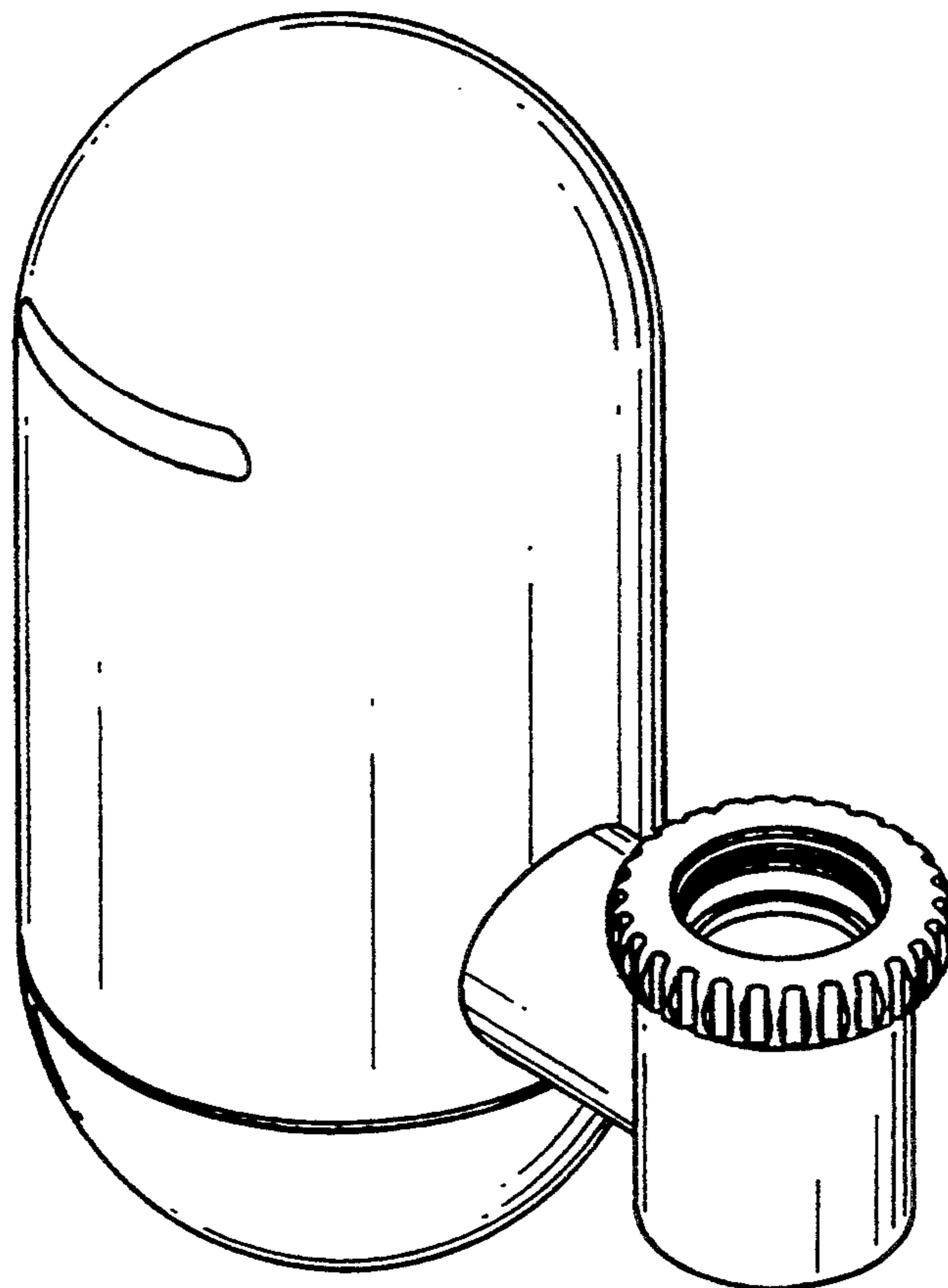
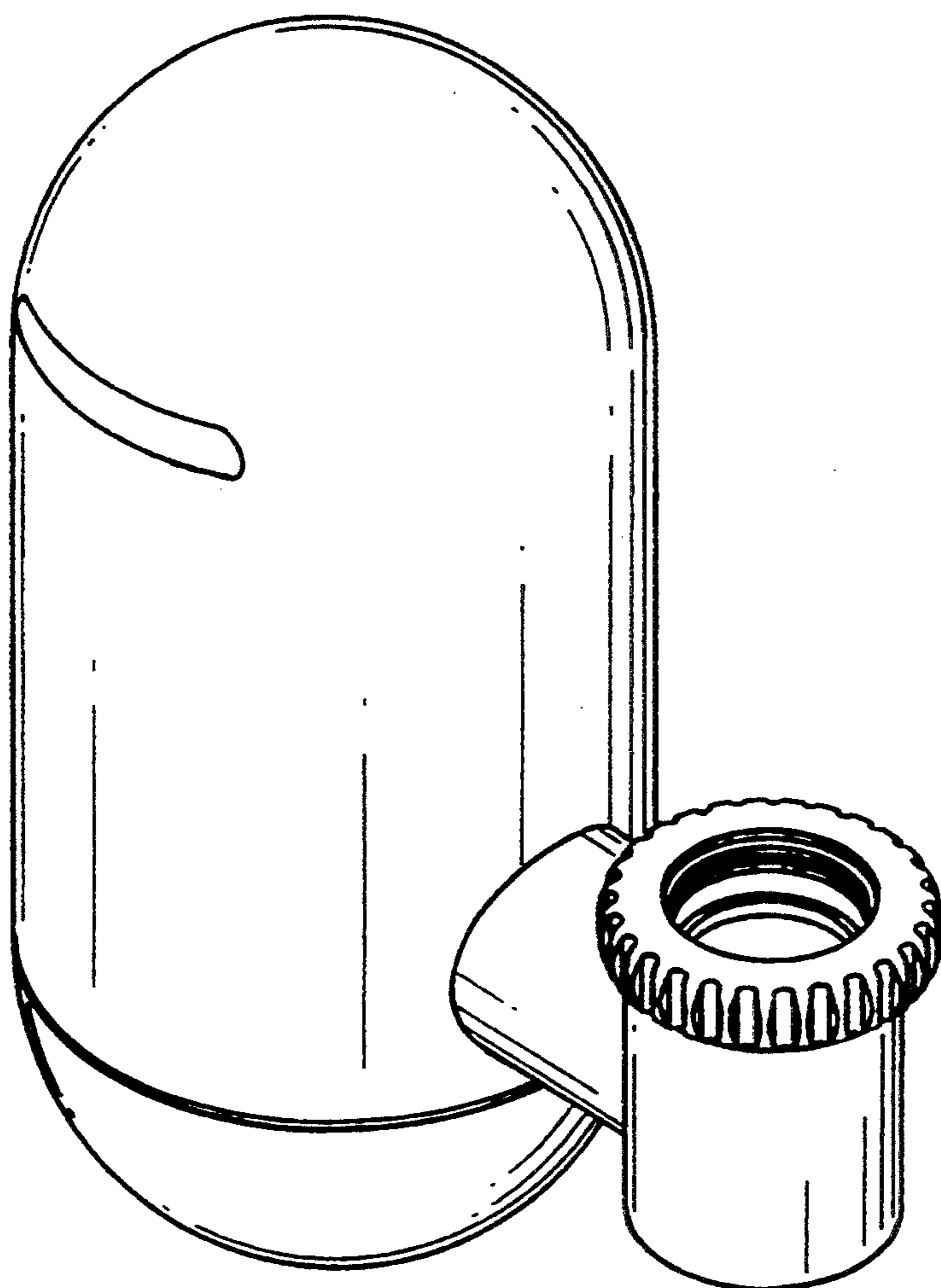


FIG. 1



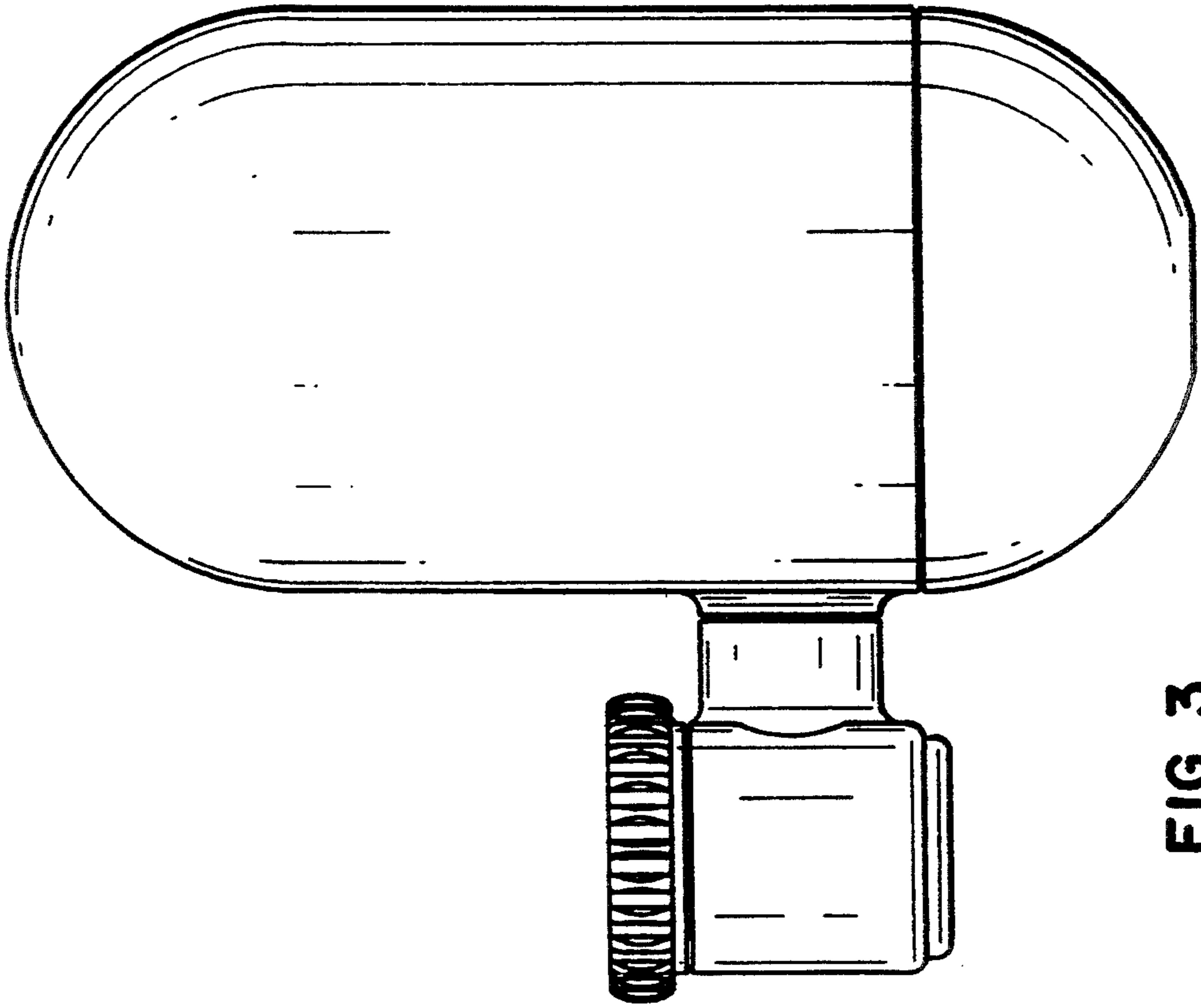


FIG. 2

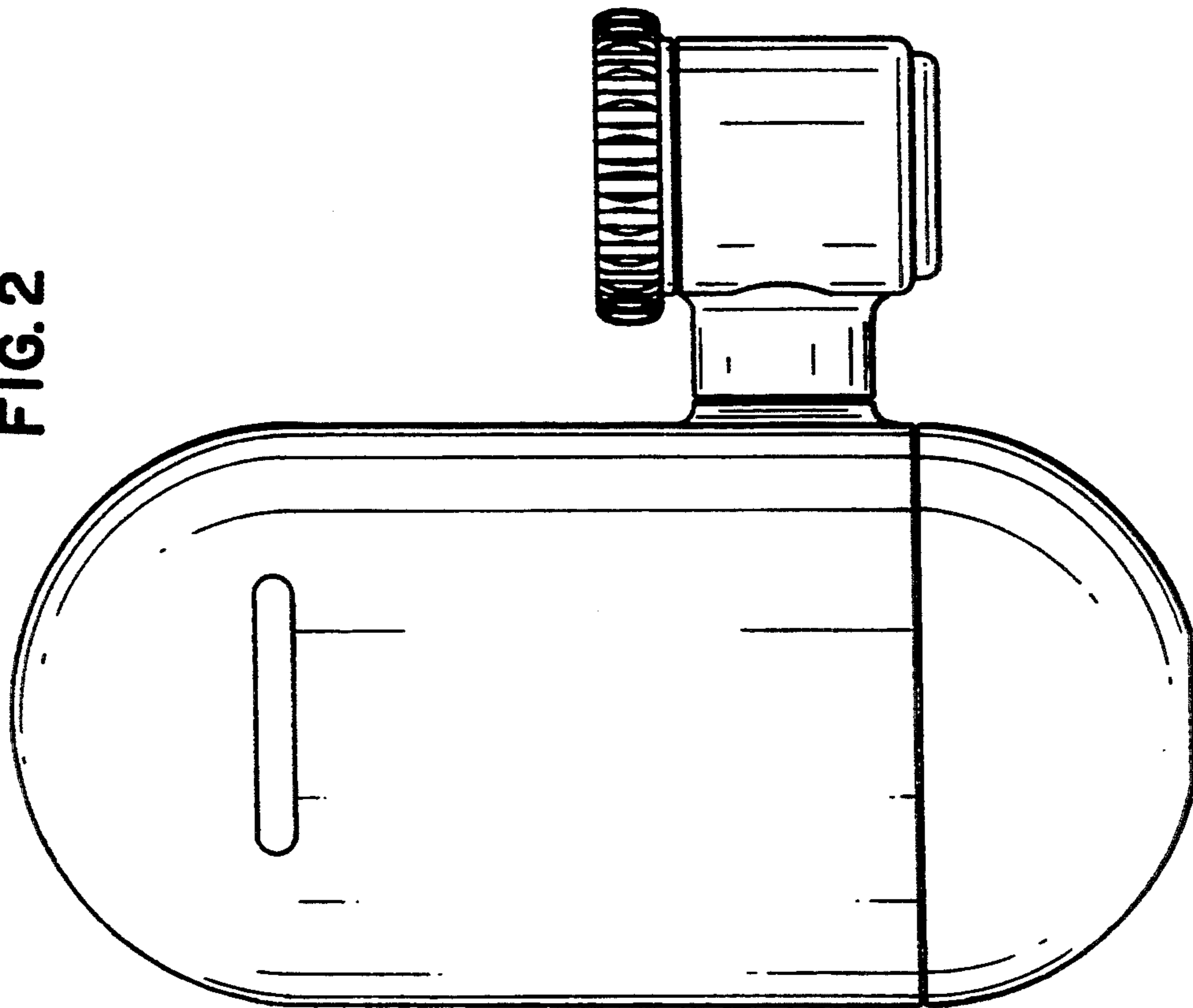


FIG. 3

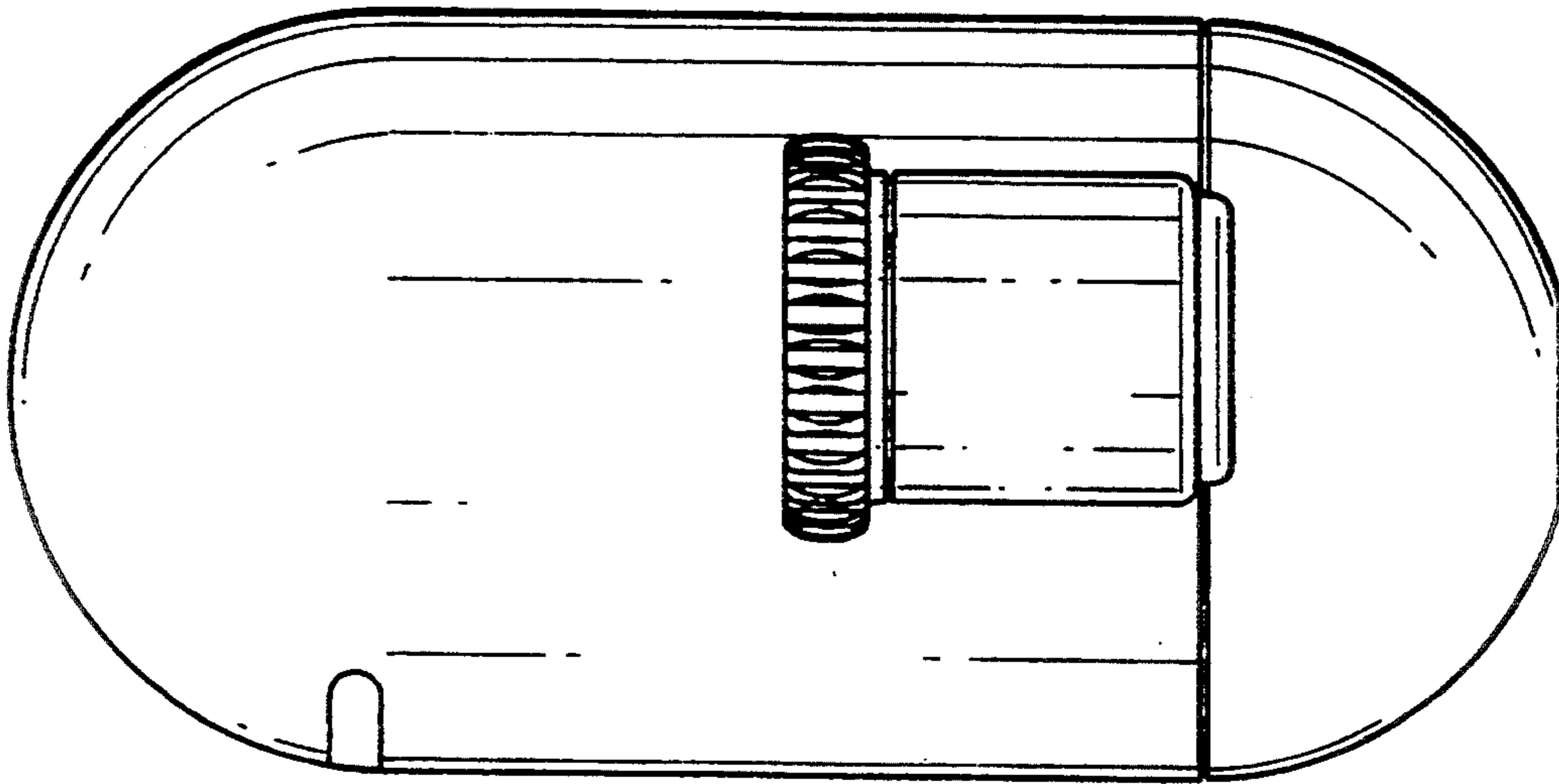
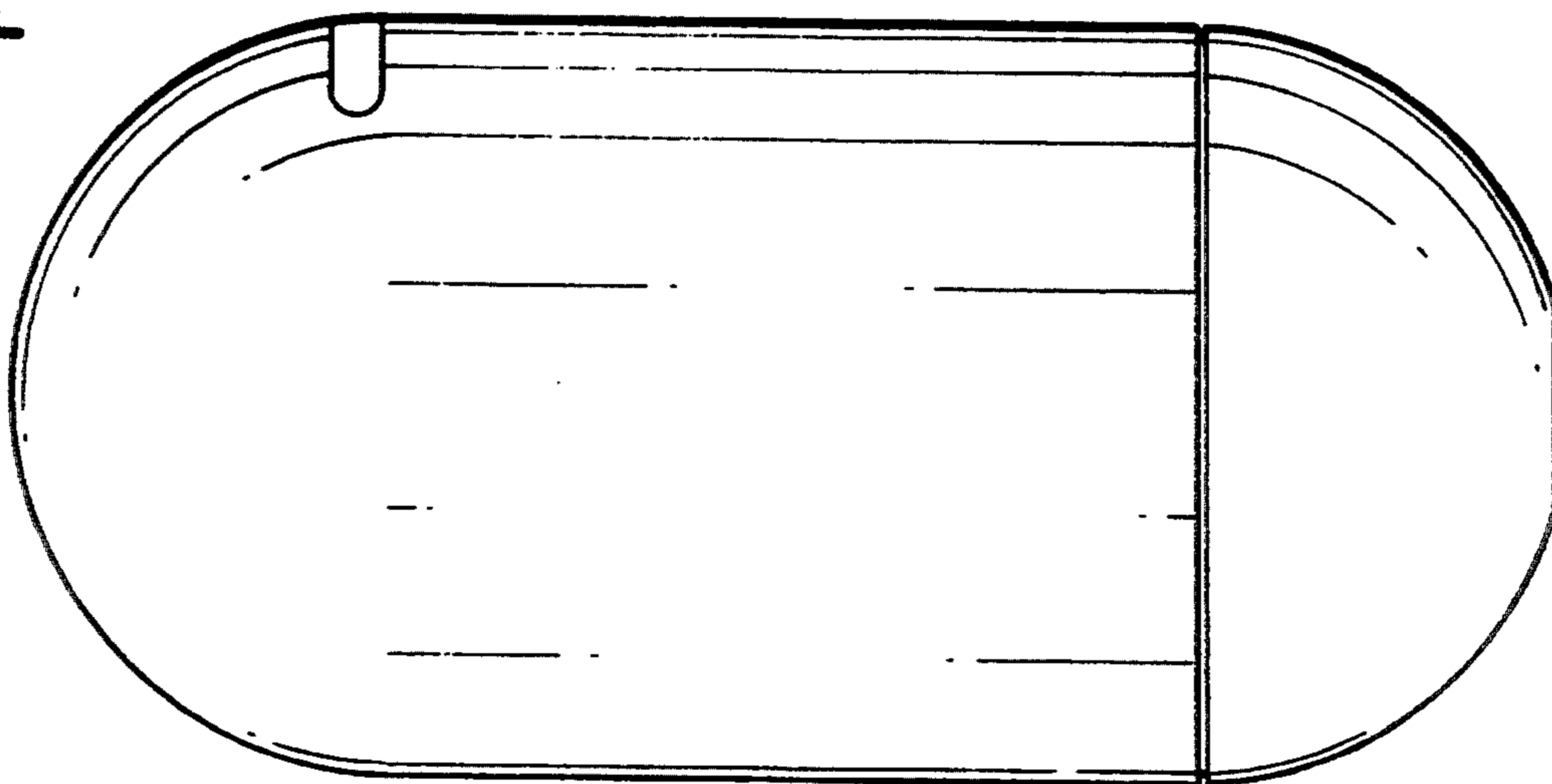


FIG. 5

FIG. 4



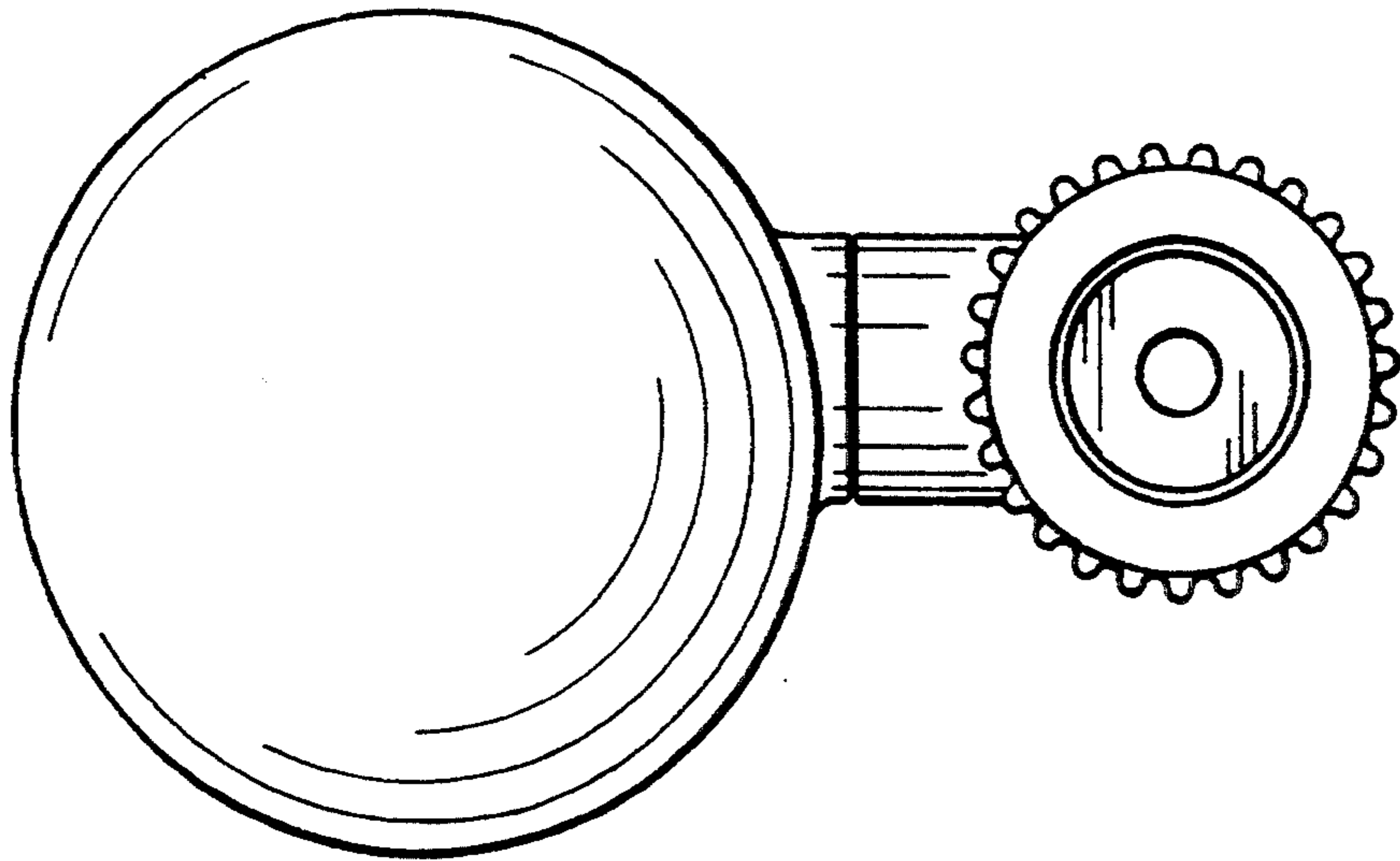


FIG. 6

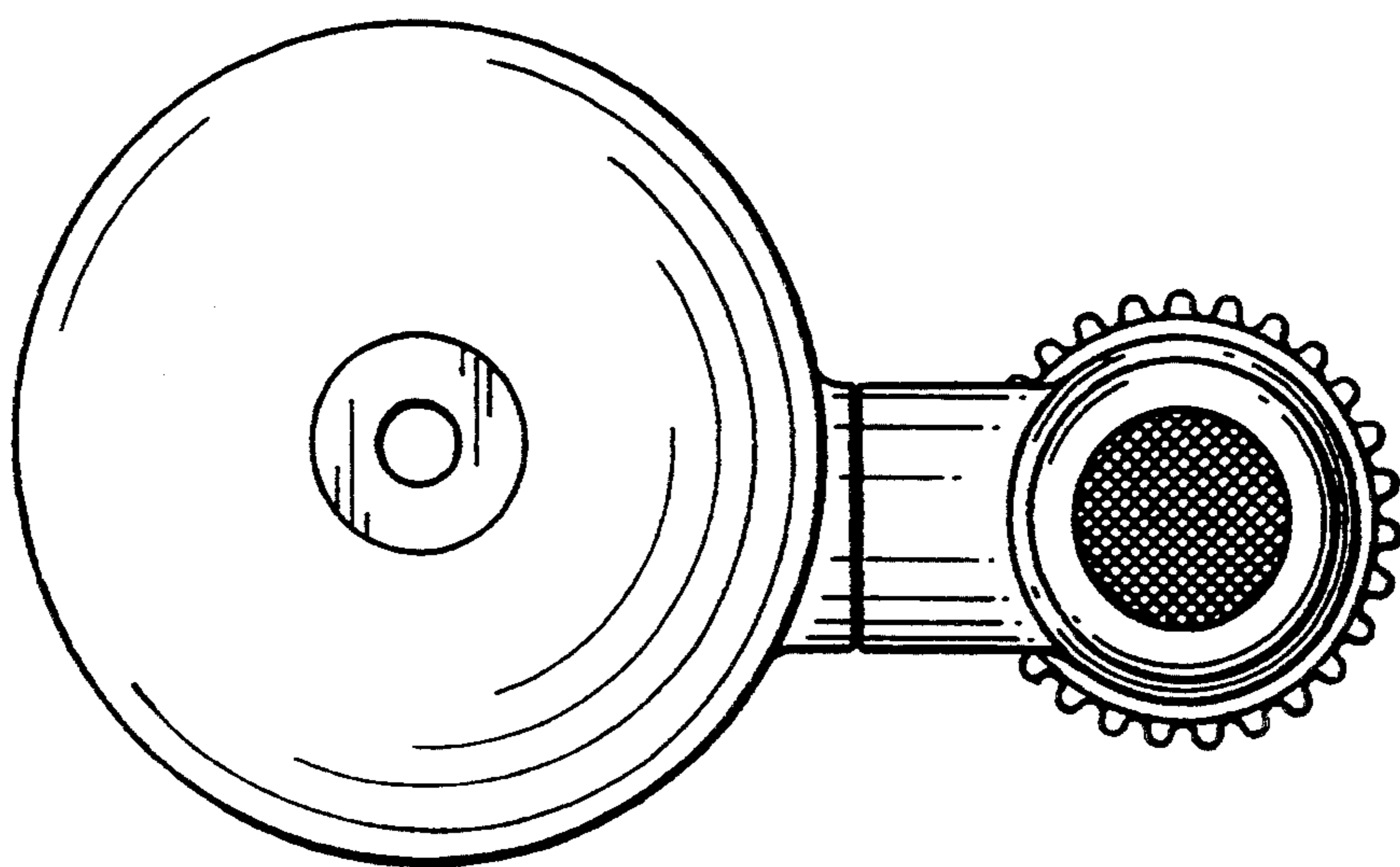


FIG. 7