



US00D358866S

# United States Patent [19]

[11] Patent Number: **Des. 358,866**

Haug et al.

[45] Date of Patent: **\*\* May 30, 1995**

[54] FAUCET

[75] Inventors: **Andreas Haug; Thomas Schoenherr,**  
both of Stuttgart, Germany

[73] Assignee: **Masco GmbH, Germany**

[\*\*] Term: **14 Years**

[21] Appl. No.: **11,948**

[22] Filed: **Aug. 18, 1993**

[30] **Foreign Application Priority Data**

- Feb. 19, 1993 [DE] Germany ..... 93 01 486.4
- Jul. 17, 1993 [DE] Germany ..... 93 05 706.7
- [52] U.S. Cl. .... **D23/238**
- [58] Field of Search ..... **D23/238-243;**  
**4/675, 678; 137/801**

[56] **References Cited**

**U.S. PATENT DOCUMENTS**

- D. 253,607 12/1979 Haug ..... D23/238
- D. 291,232 8/1987 Haug et al. .... D23/238
- D. 291,235 8/1987 Bergmann et al. .... D23/238
- D. 301,162 5/1989 Oberdorfer ..... D23/238
- D. 309,655 7/1990 Reinecko ..... D23/238
- D. 324,095 2/1992 Grohe ..... D23/238
- D. 324,904 3/1992 Haug et al. .... D23/238

**OTHER PUBLICATIONS**

Hans Grohe GmbH & Co. KG Catalog, "Klassische

Schönheit. Mondial und Atoll von Hans Grohe.", Form-Nr. 84 000 159, 06/93/50.

Hans Grohe GmbH & Co. KG Catalog, "Metropol. Das Ergonomische Mischerprogramm", Form-Nr. 84 000 177 7/93/200.

Delta Faucet Company, Single page, "We Still Build 'Em Like We Used To, Only Better", 1983.

Ceralux Brochure, pp. 2-19 to 2-22.

*Primary Examiner*—A. Hugo Word

*Assistant Examiner*—Eric Waterson

*Attorney, Agent, or Firm*—Eckert Seamans Cherin & Mellott

[57] **CLAIM**

The ornamental design for a faucet, as shown and described.

**DESCRIPTION**

FIG. 1 is a perspective view taken from the top, front and left side of a faucet showing our new design;

FIG. 2 is a front elevational view thereof;

FIG. 3 is a right side elevational view thereof;

FIG. 4 is a top plan view thereof;

FIG. 5 is a bottom plan view thereof;

FIG. 6 is a rear elevational view thereof;

FIG. 7 is a left side elevational view thereof; and,

FIG. 8 is a reduced left side elevational view thereof.

It is to be understood that the water supply tubes and drain control rod have been broken away in FIGS. 1-3, 6 and 7 for convenience of illustration.

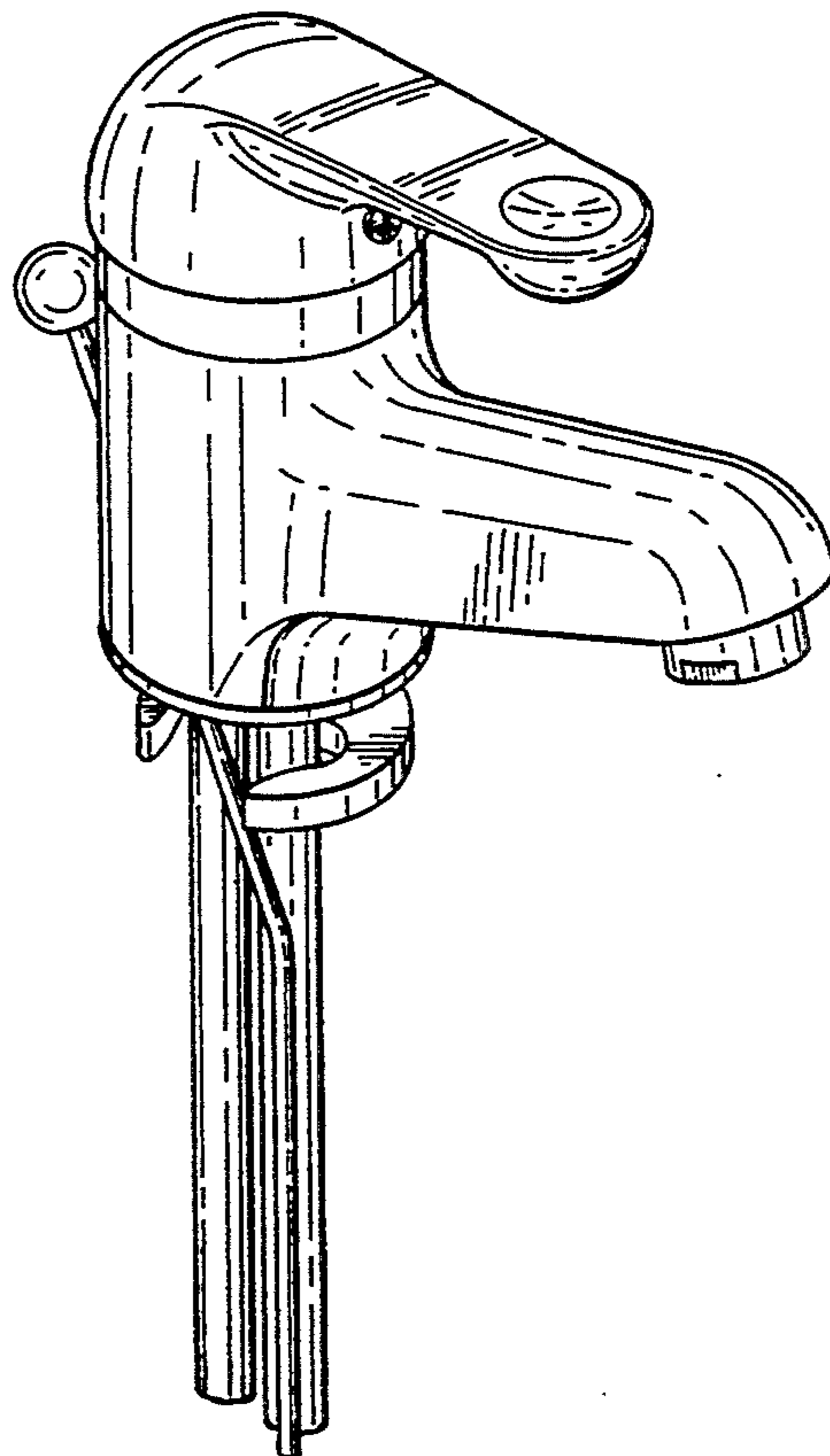
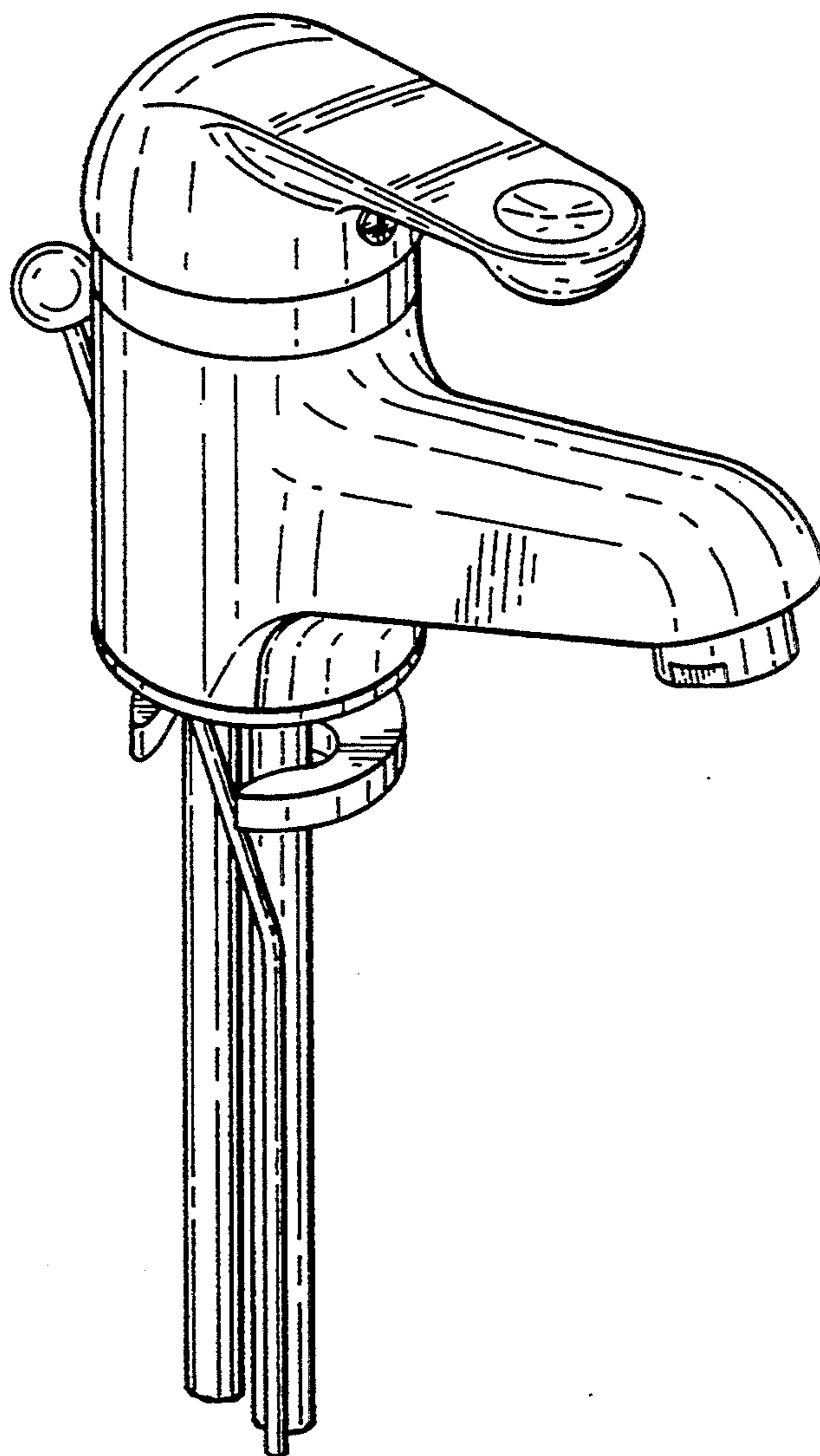


Fig. 1



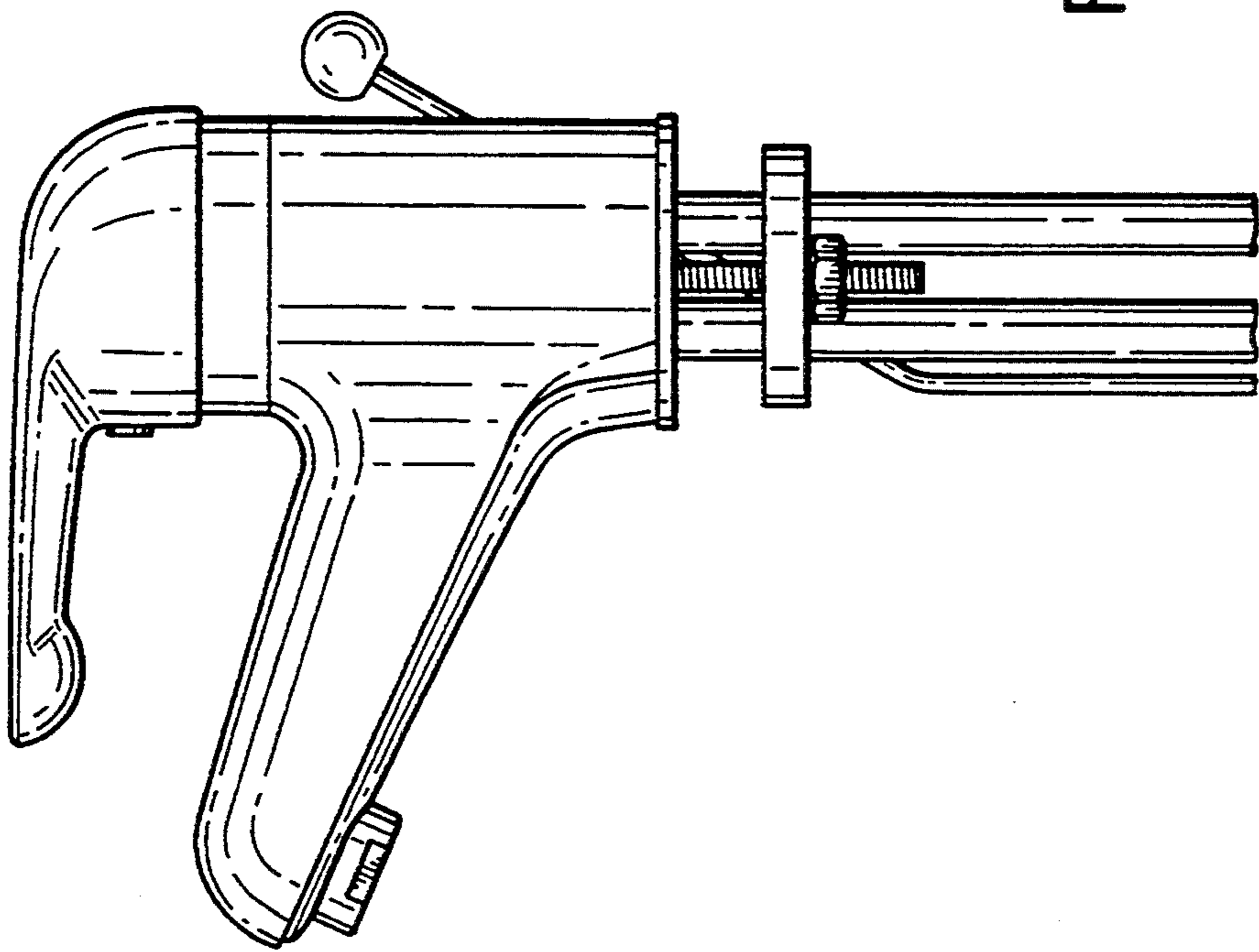


Fig. 3

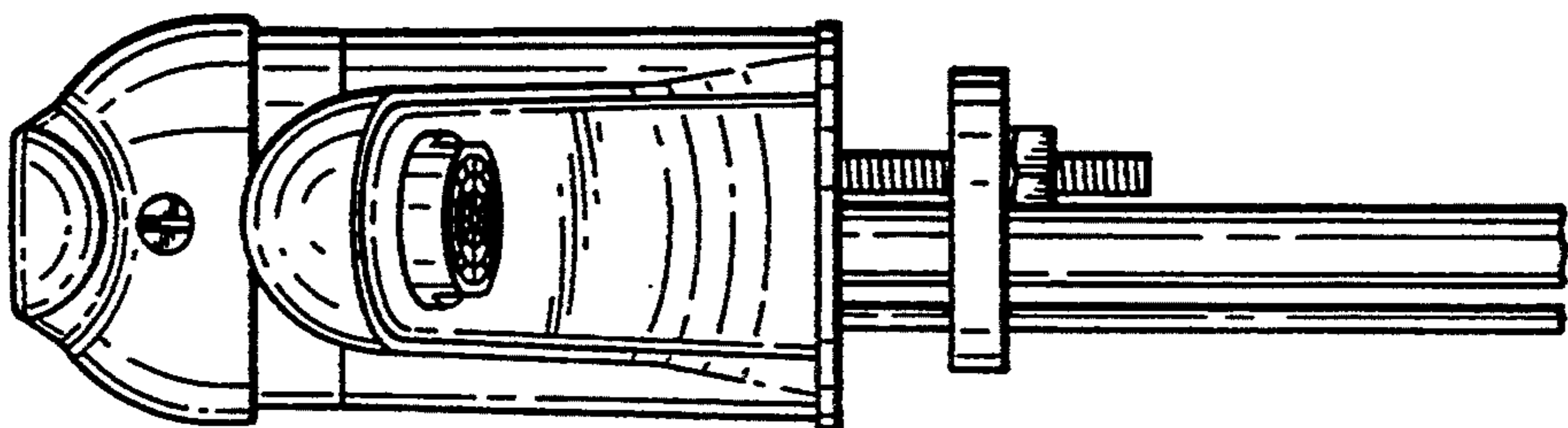


Fig. 2

Fig. 4

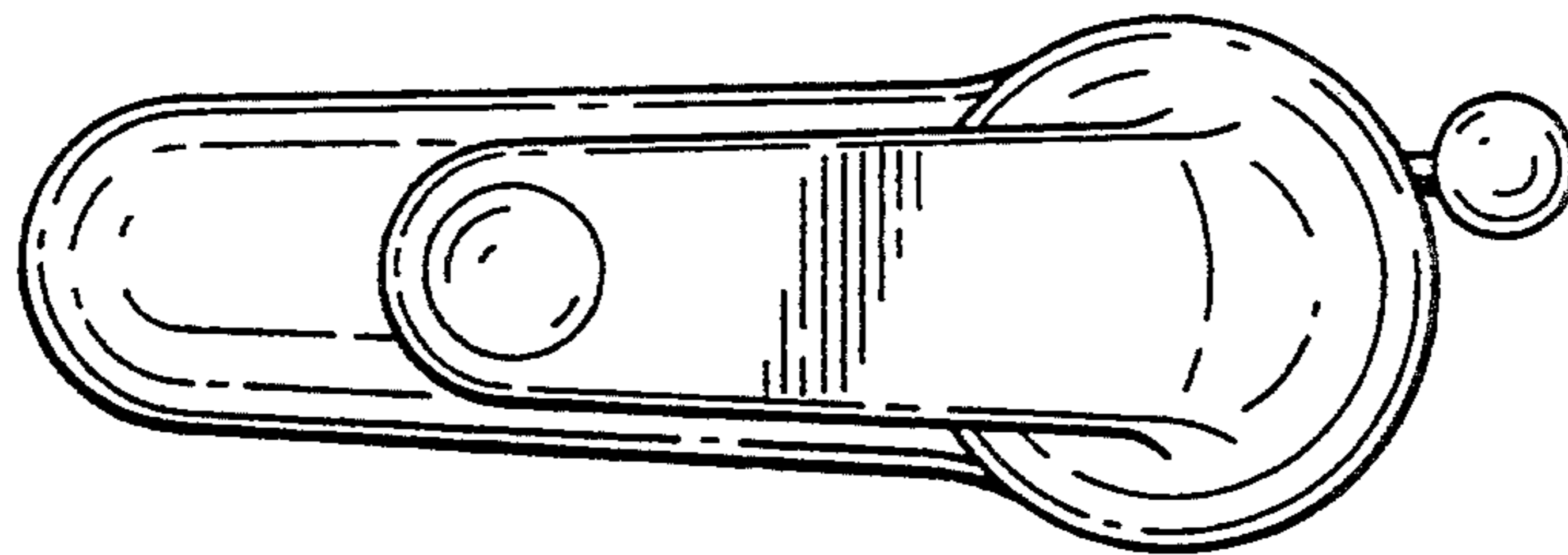
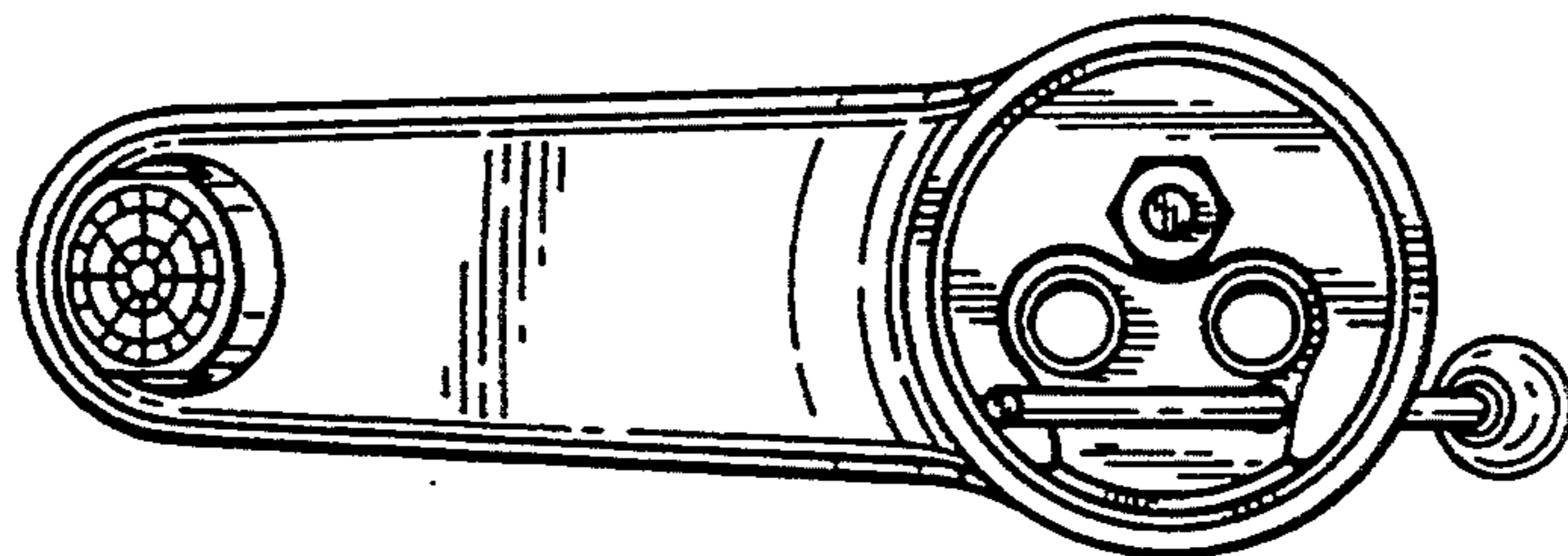


Fig. 5



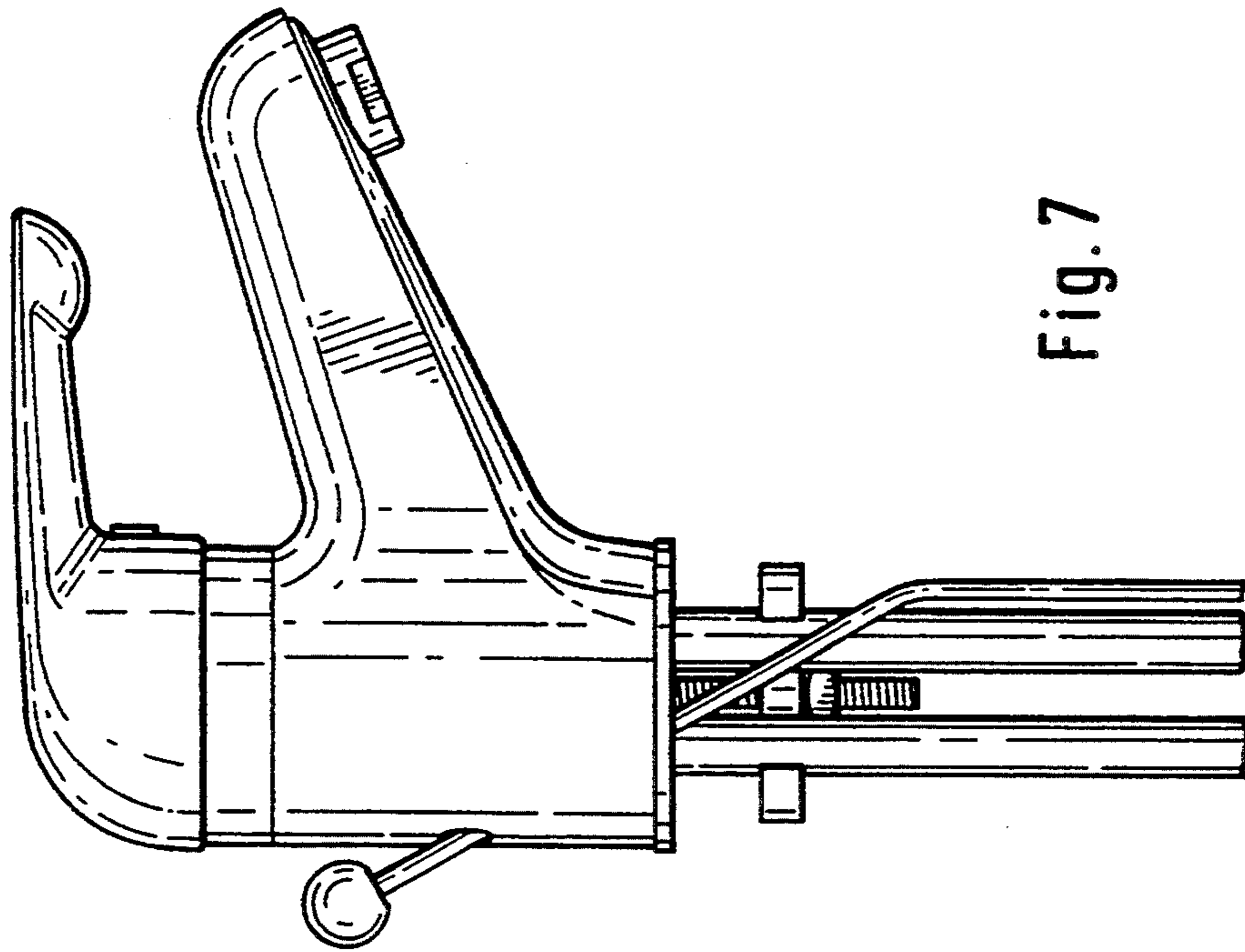


Fig. 7

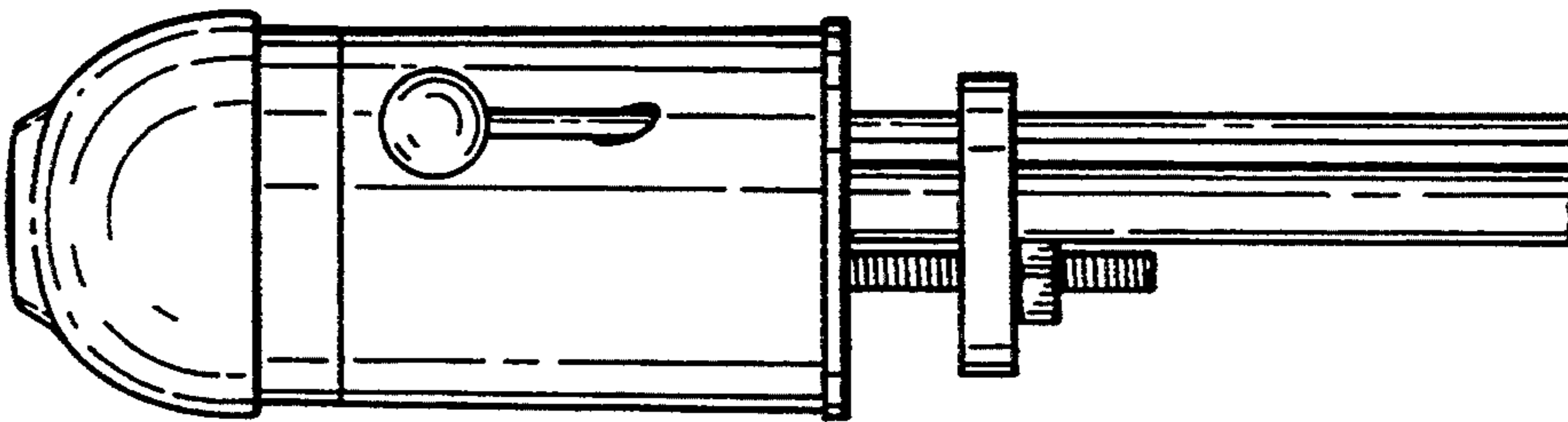


Fig. 6

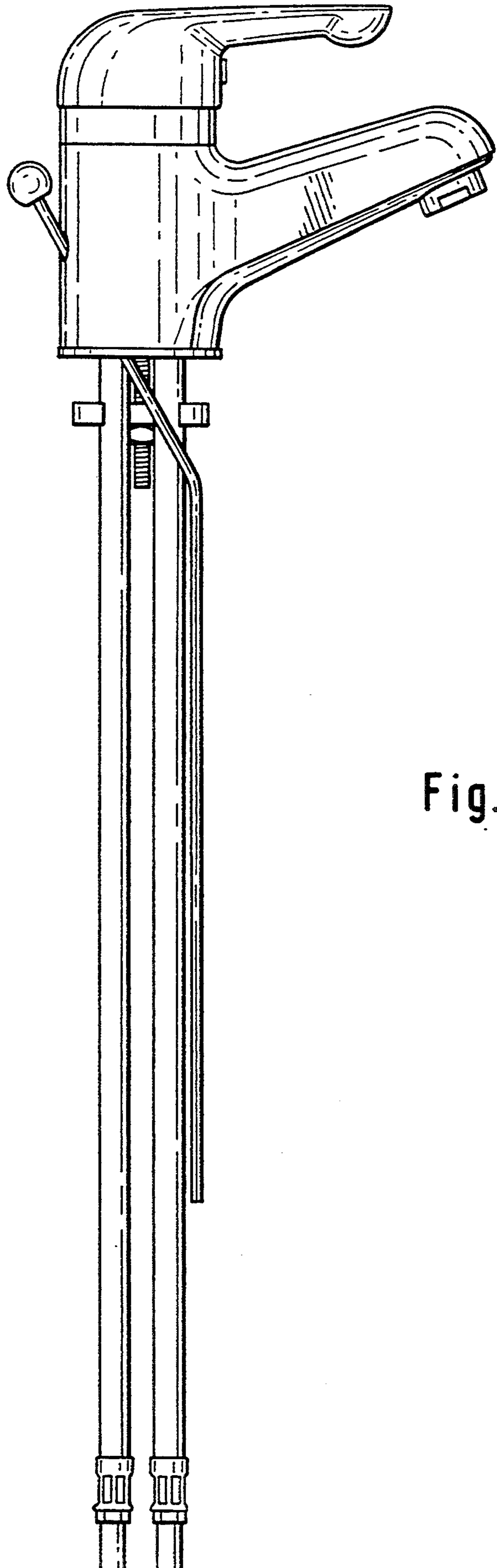


Fig. 8