



US00D358861S

United States Patent [19]
Gangl, Jr.

[11] **Patent Number: Des. 358,861**
[45] **Date of Patent: ** May 30, 1995**

[54] **FIREARM MUZZLE BRAKE**

[76] **Inventor: John P. Gangl, Jr., 279 Timberline Trail, St. Paul, Minn. 55127**

[**] **Term: 14 Years**

[21] **Appl. No.: 12,190**

[22] **Filed: Aug. 26, 1993**

[52] **U.S. Cl. D22/108**

[58] **Field of Search D22/108; 42/51, 66, 42/67, 70.01, 76 R, 79, 96, 100; 89/27.12**

[56] **References Cited**

U.S. PATENT DOCUMENTS

2,809,560 10/1957 Matson et al. 89/14.3
2,852,983 9/1958 Netzer 89/14.3 X
4,677,782 7/1987 Kaye et al. 42/100

OTHER PUBLICATIONS

American Rifleman, Jul. 1993, p. 39.

Primary Examiner—Louis S. Zarfaz

Assistant Examiner—Catherine R. Oliver

Attorney, Agent, or Firm—Anthony G. Eggink

[57] **CLAIM**

The ornamental design for a firearm muzzle brake, as shown and described.

DESCRIPTION

FIG. 1 is a front elevational view of a firearm muzzle brake showing my new design;
FIG. 2 is a top elevational view thereof;
FIG. 3 is a bottom elevational view thereof;
FIG. 4 is a rear elevational view thereof;
FIG. 5 is a side elevational view thereof, the opposite side being a mirror image thereof;
FIG. 6 is a front elevational view of a firearm muzzle brake showing an alternate design thereof;
FIG. 7 is a top elevational view thereof;
FIG. 8 is a bottom elevational view thereof;
FIG. 9 is a rear elevational view thereof;
FIG. 10 is a side elevational view thereof, the opposite side being a mirror image thereof;
FIG. 11 is a perspective view taken from the top and side of the firearm muzzle of my invention as shown in FIGS. 1-5;
FIG. 12 is a perspective view taken from the top and rear thereof; and,
FIG. 13 is a perspective view taken from the top and front thereof.

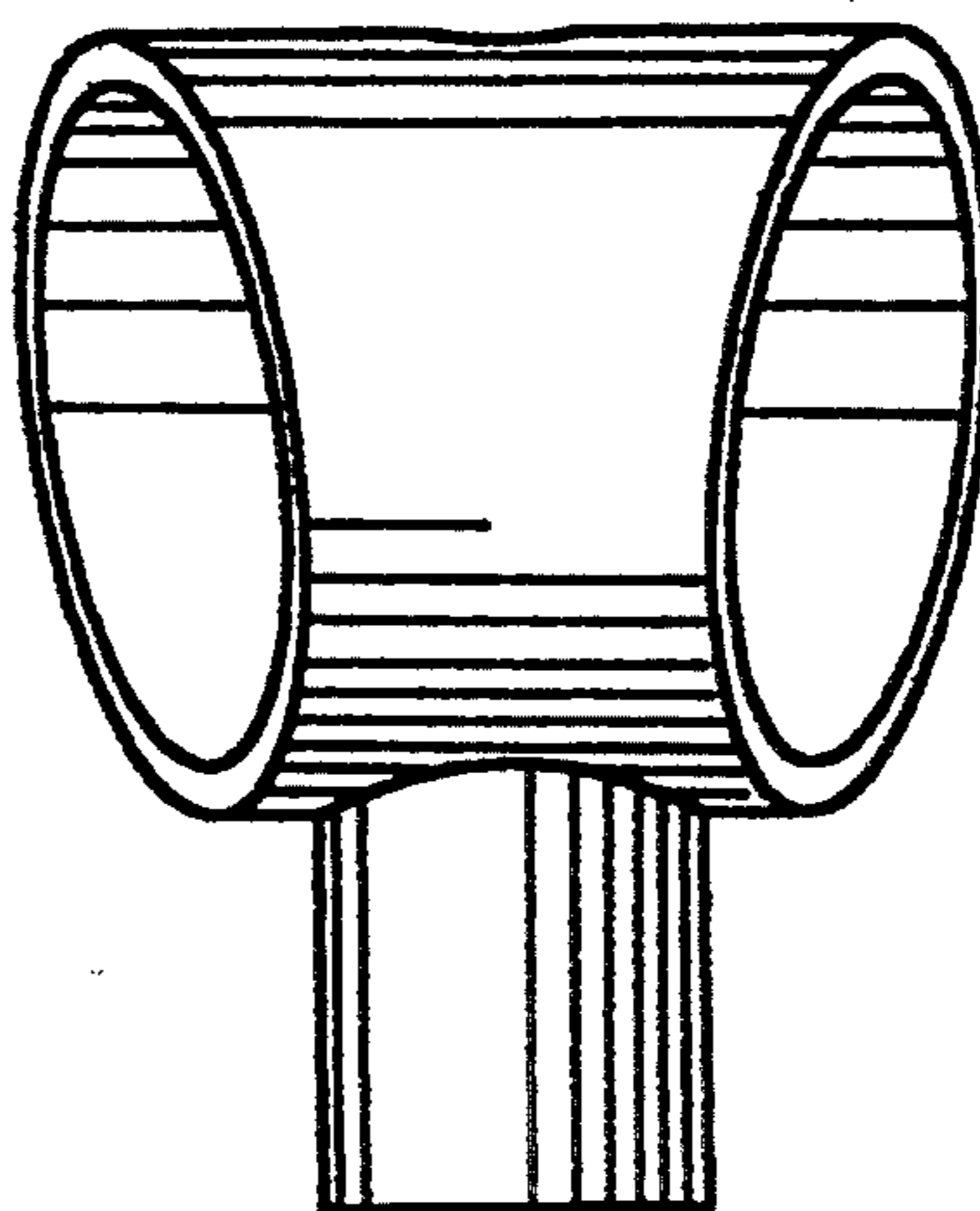


FIG. 2

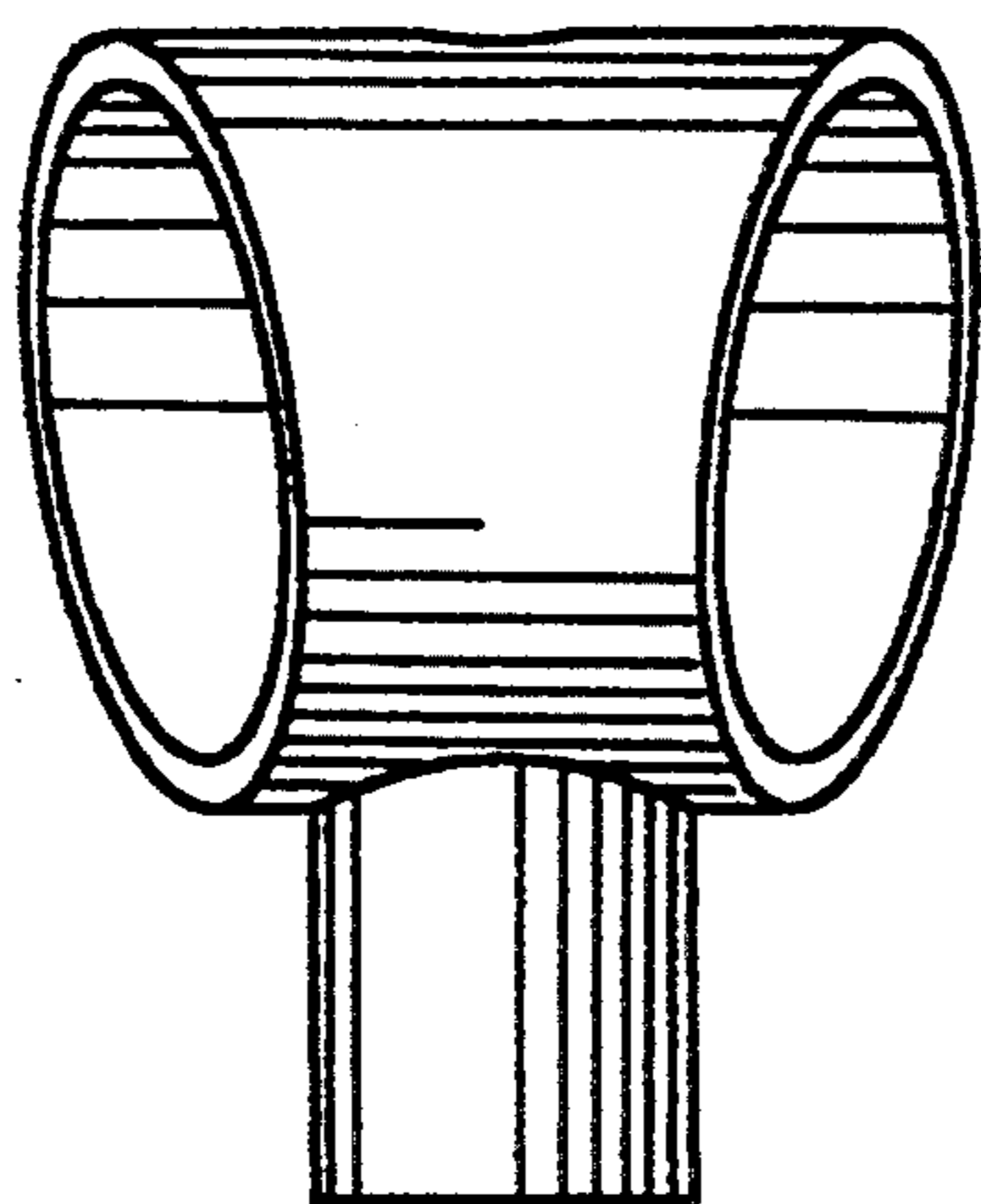


FIG. 4

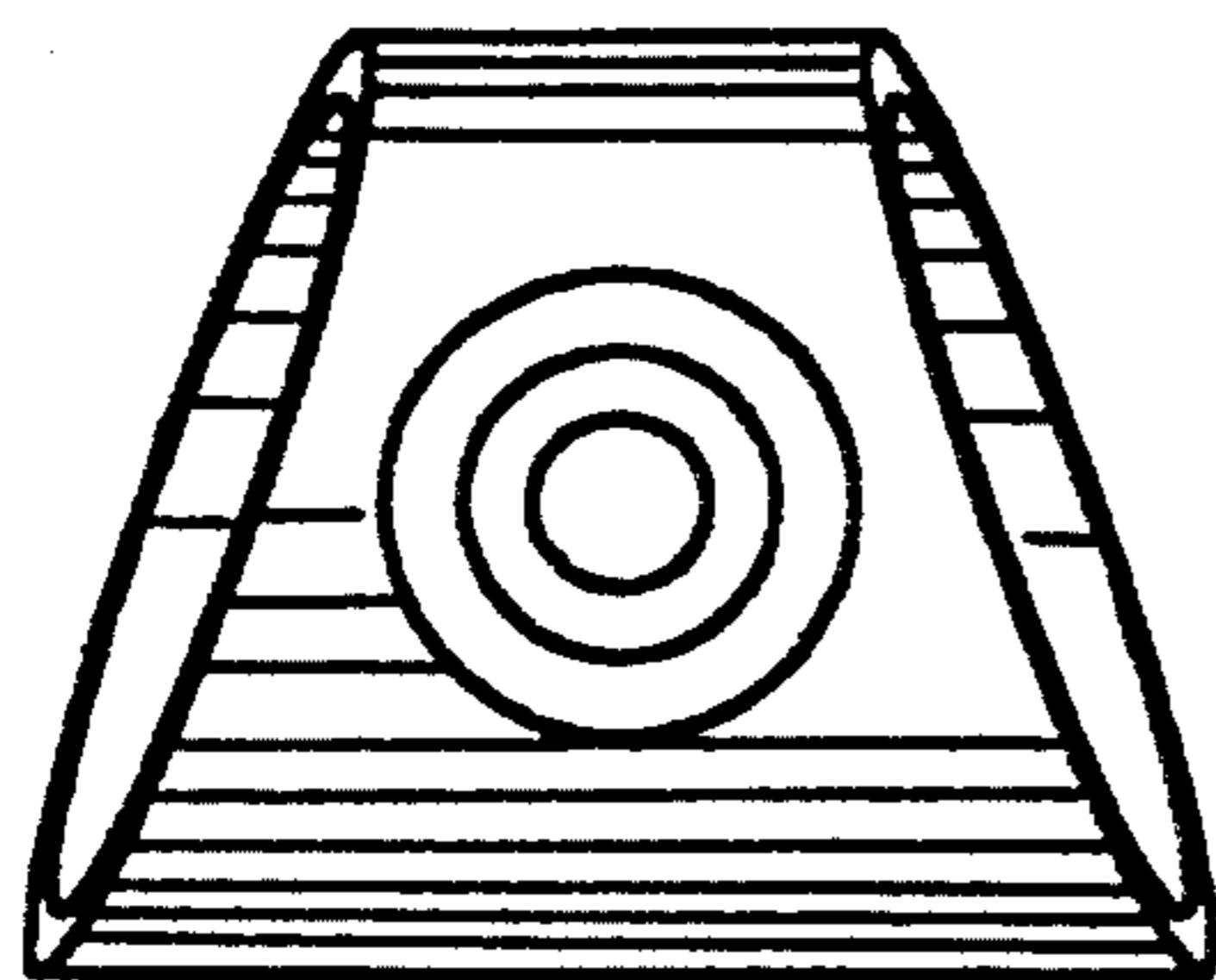


FIG. 3

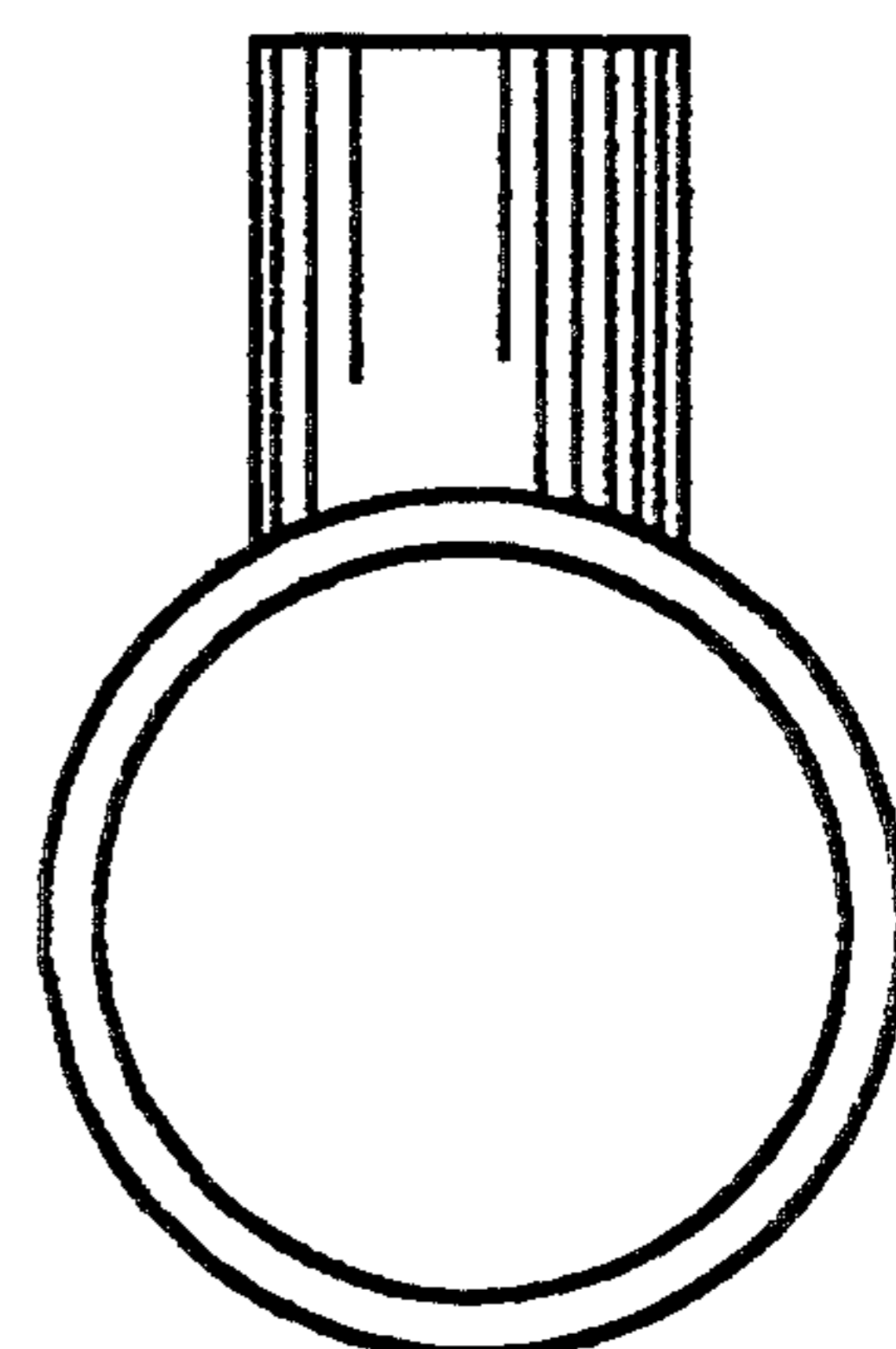
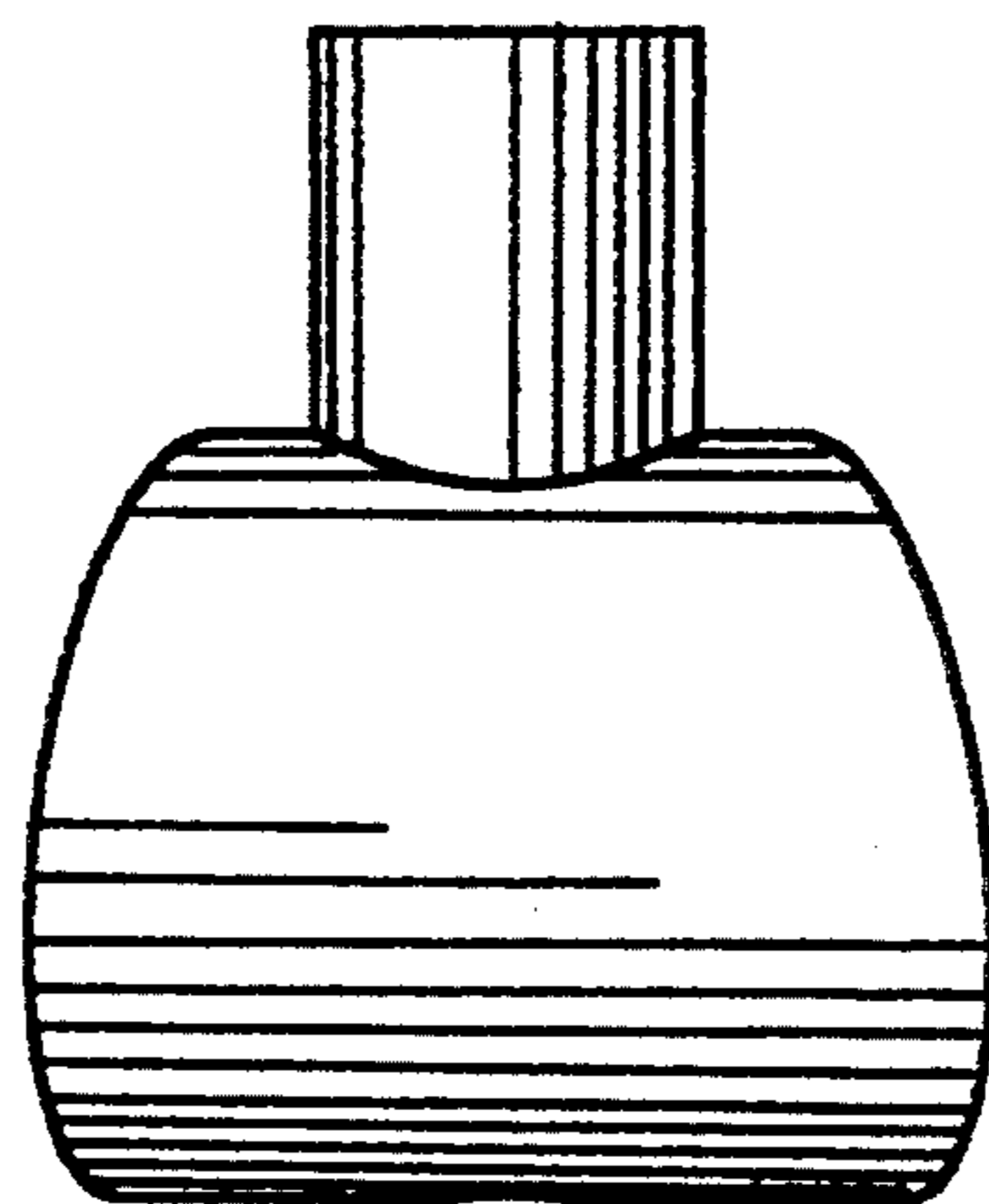
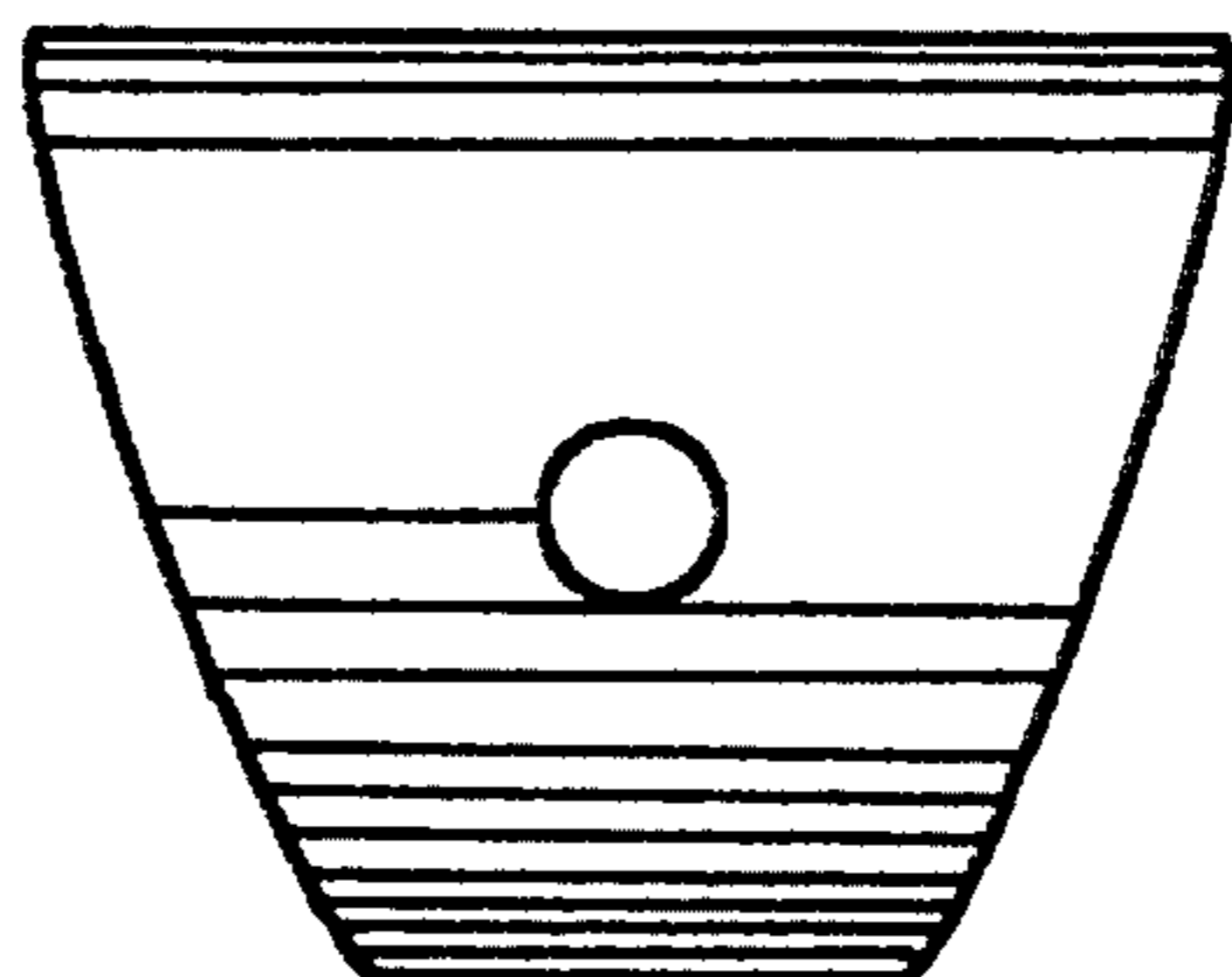


FIG. 5

FIG. 1



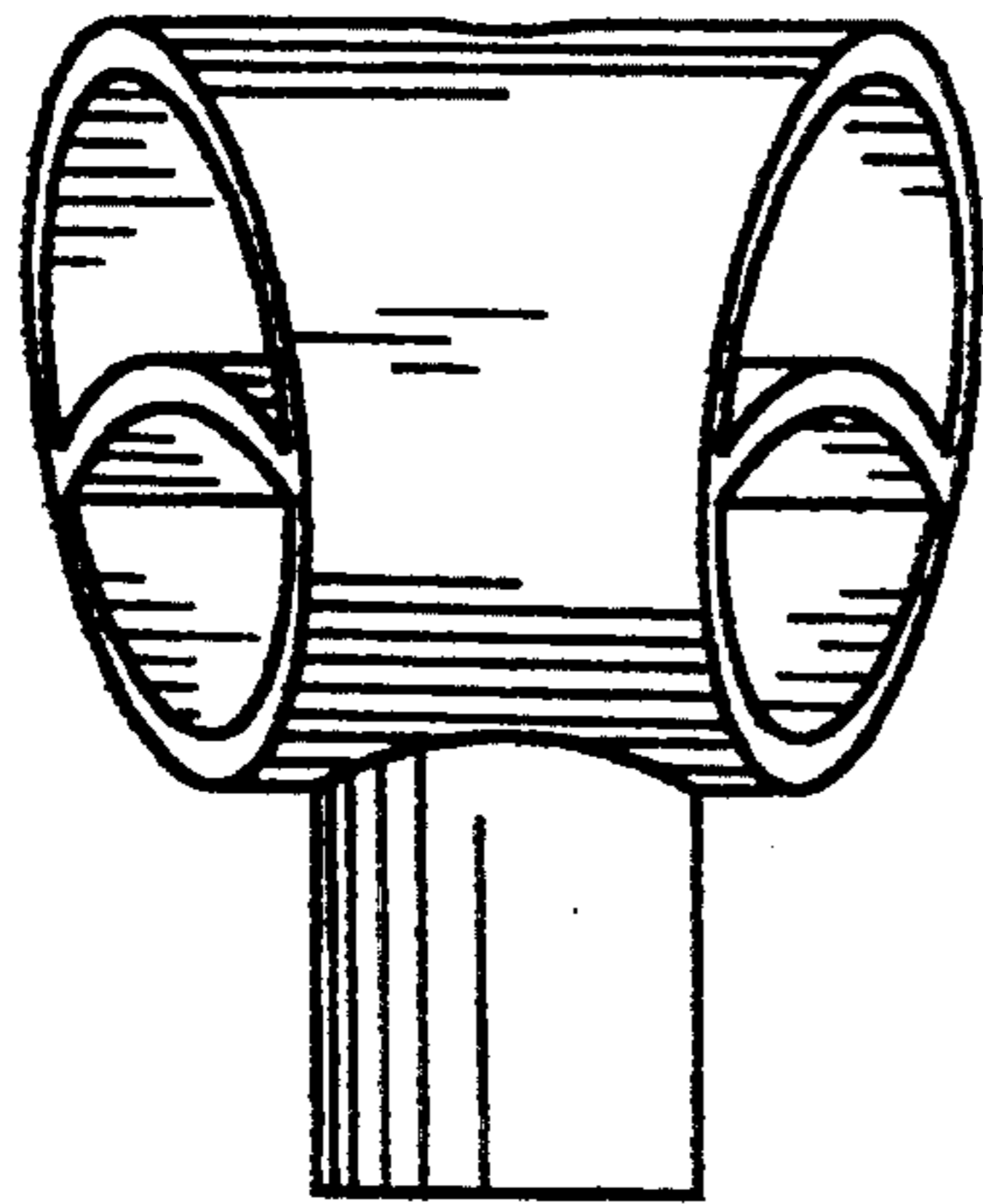


FIG. 7

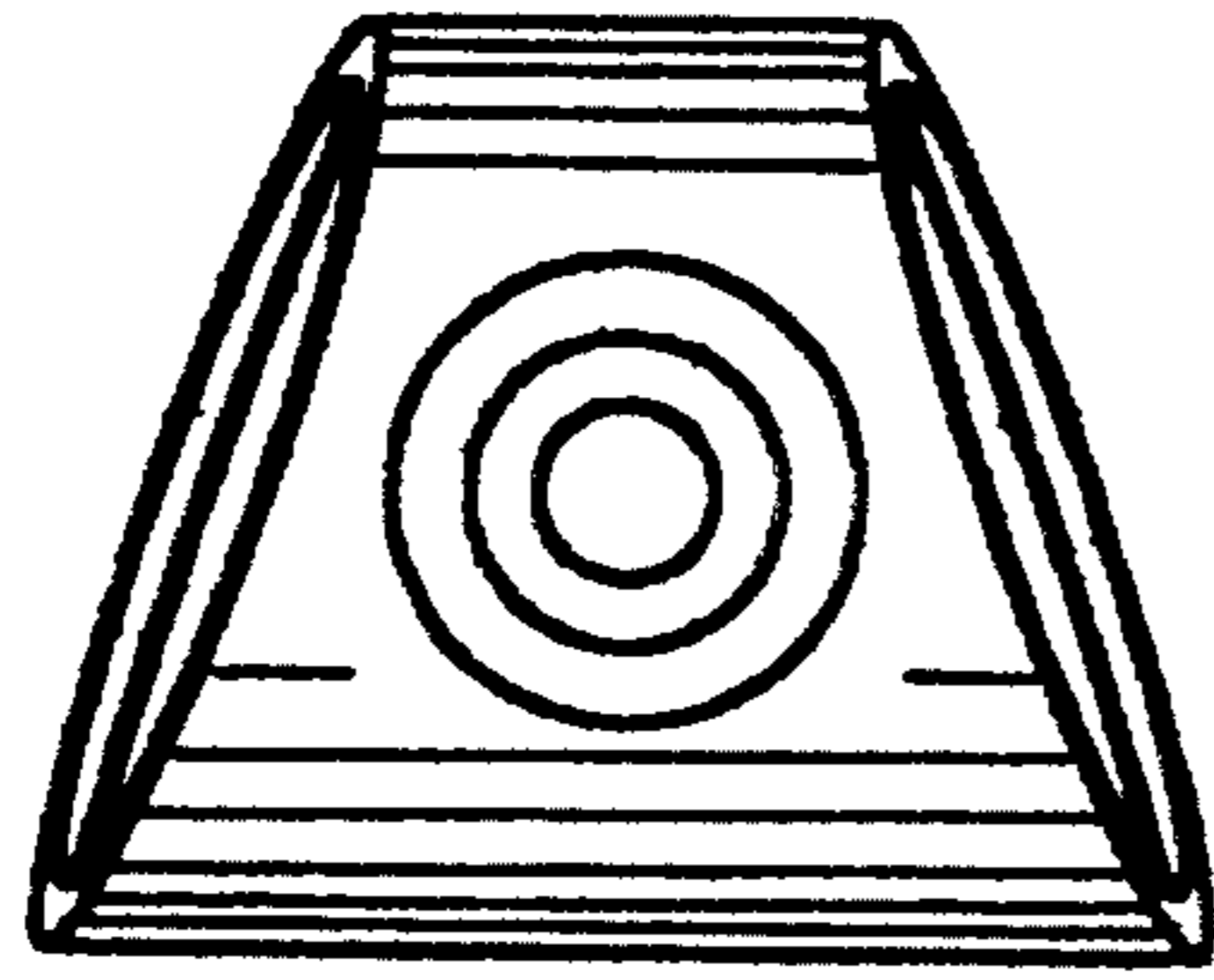


FIG. 9

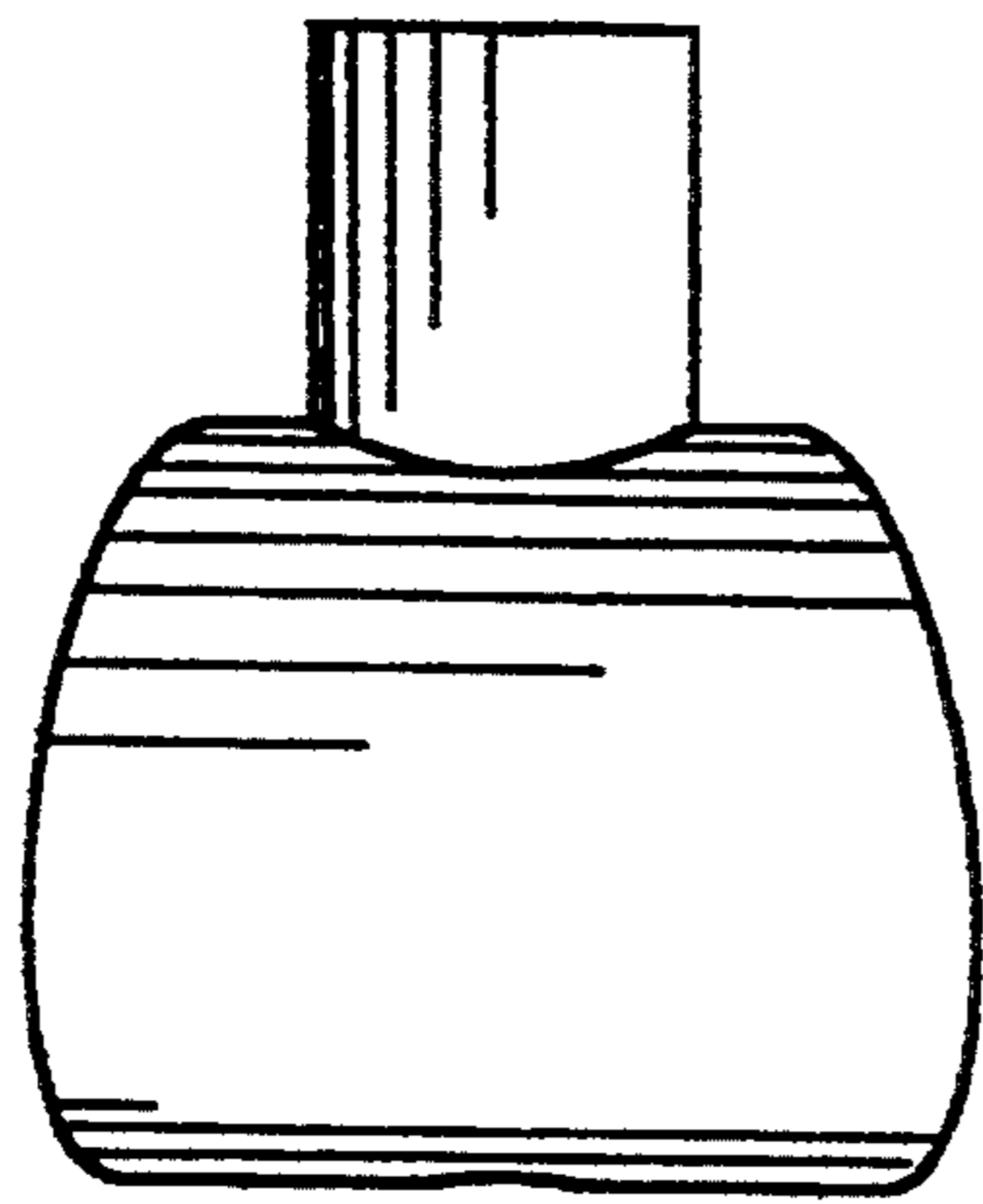


FIG. 8

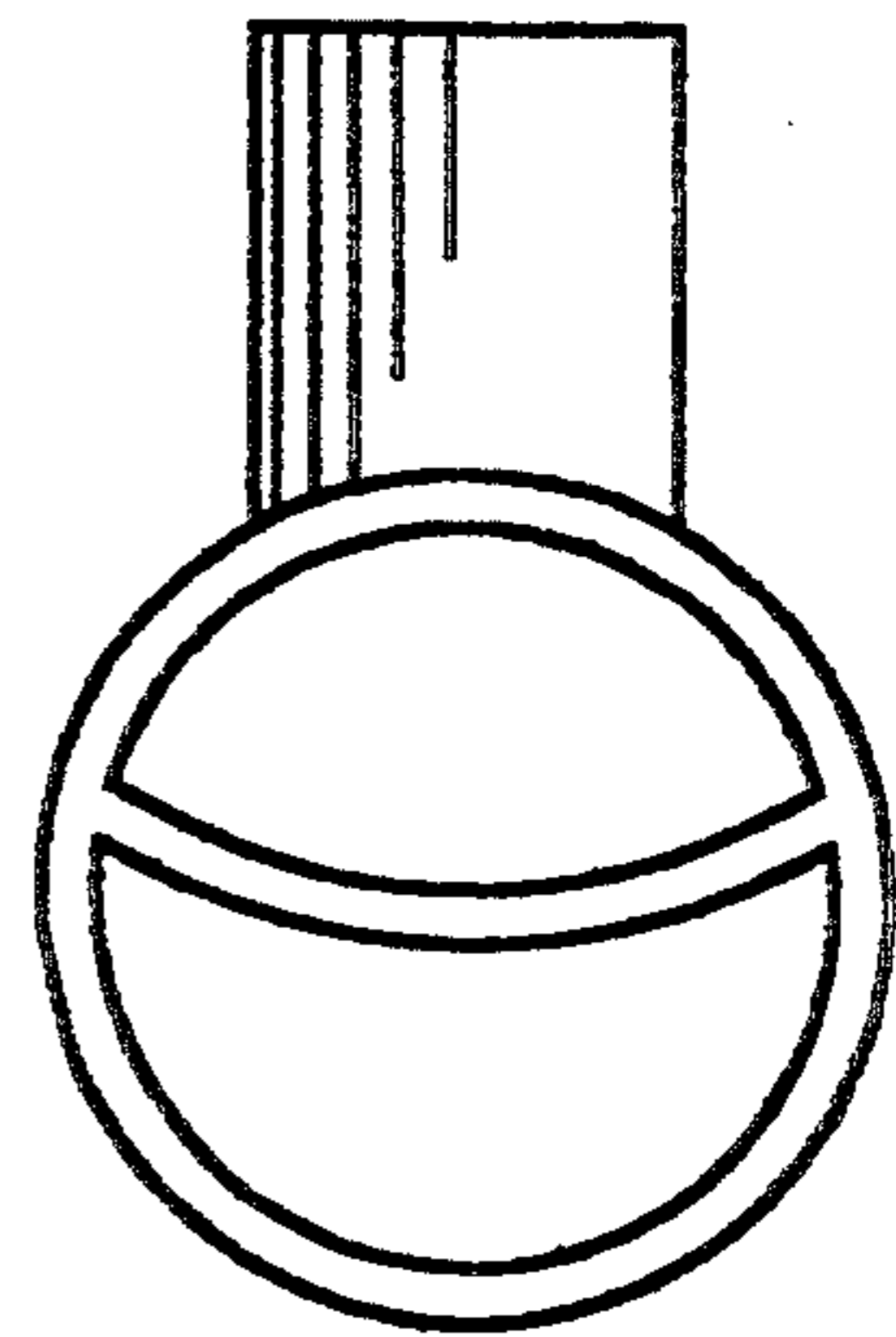


FIG. 10

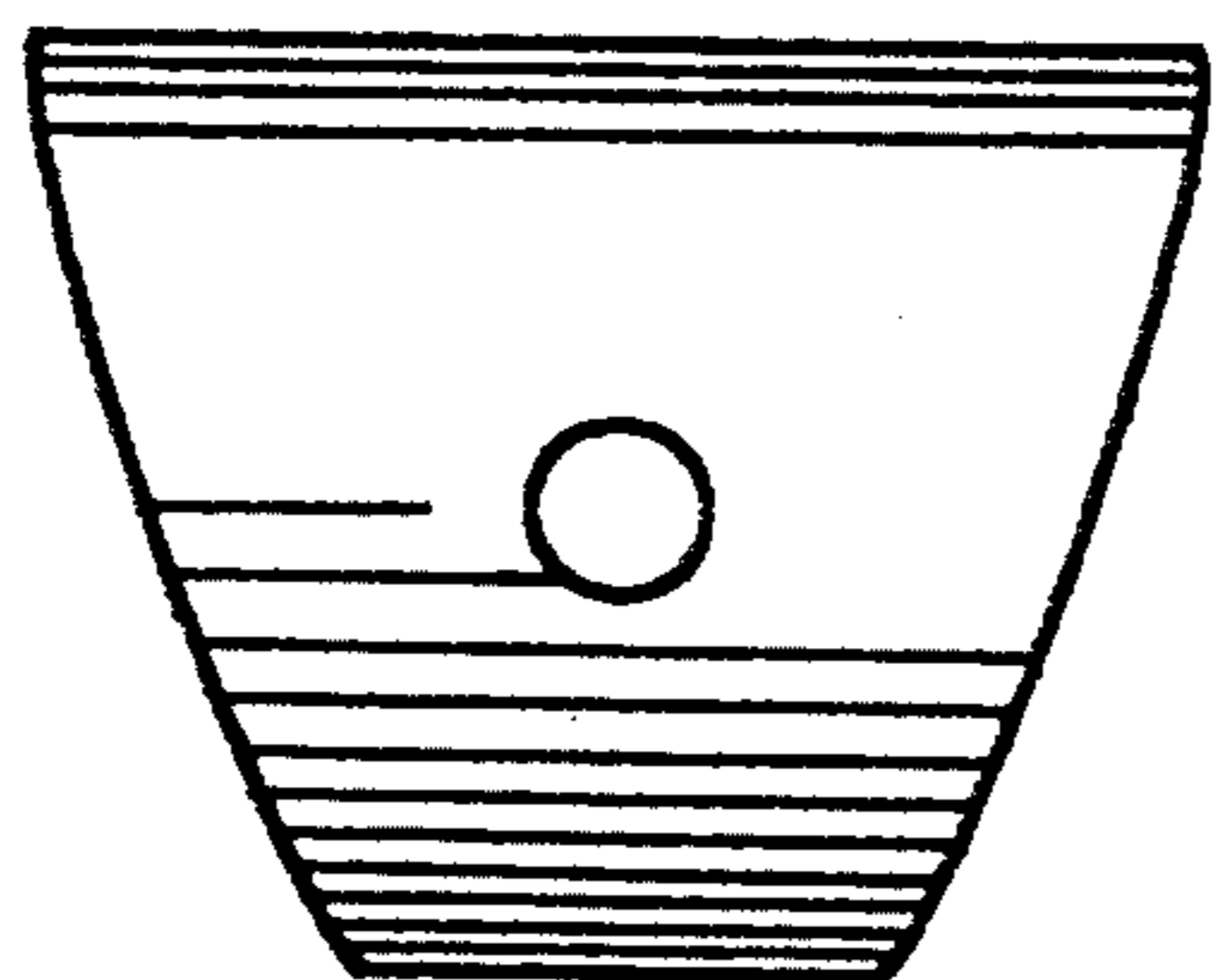


FIG. 6

FIG. 11

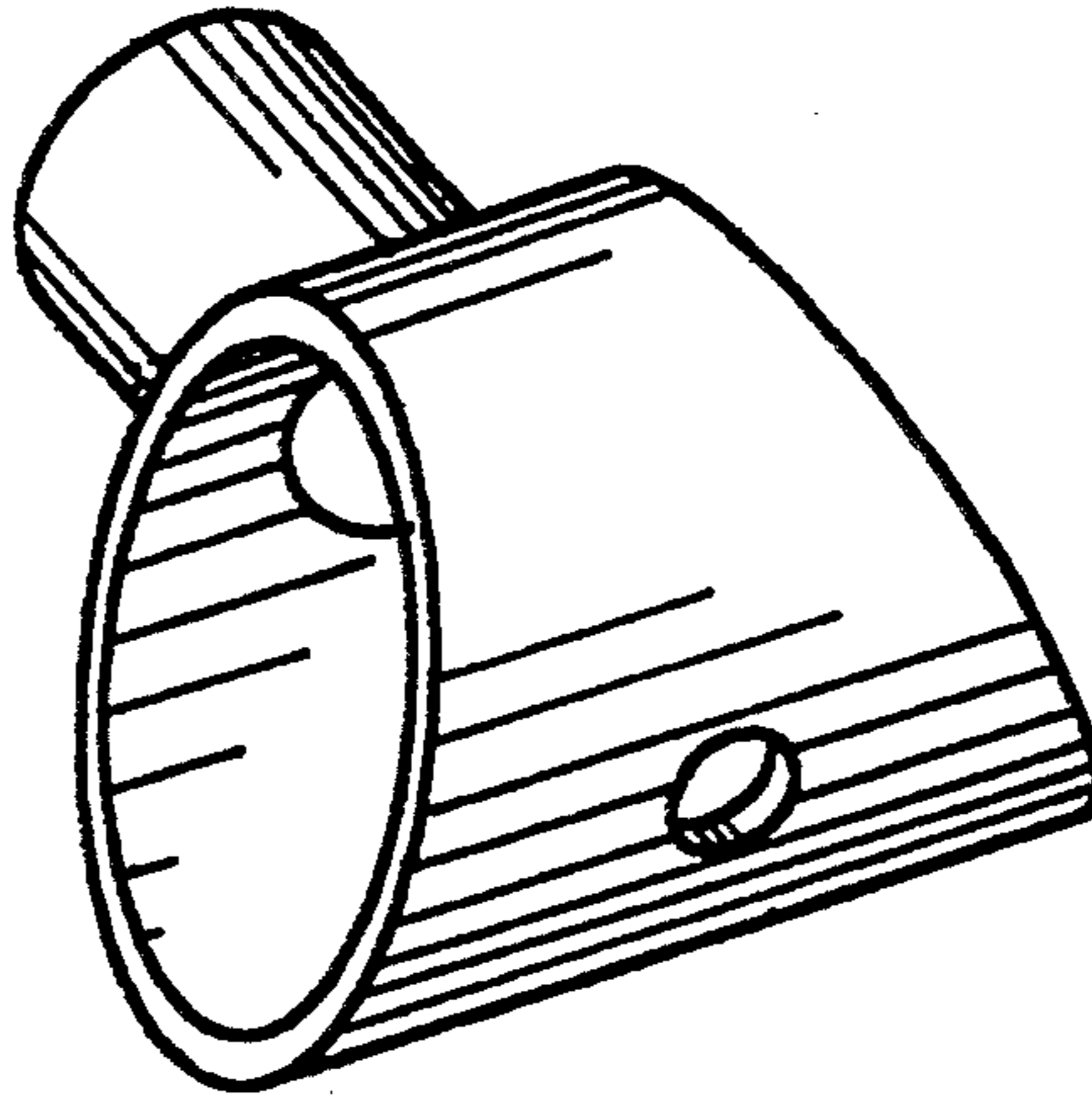


FIG. 12

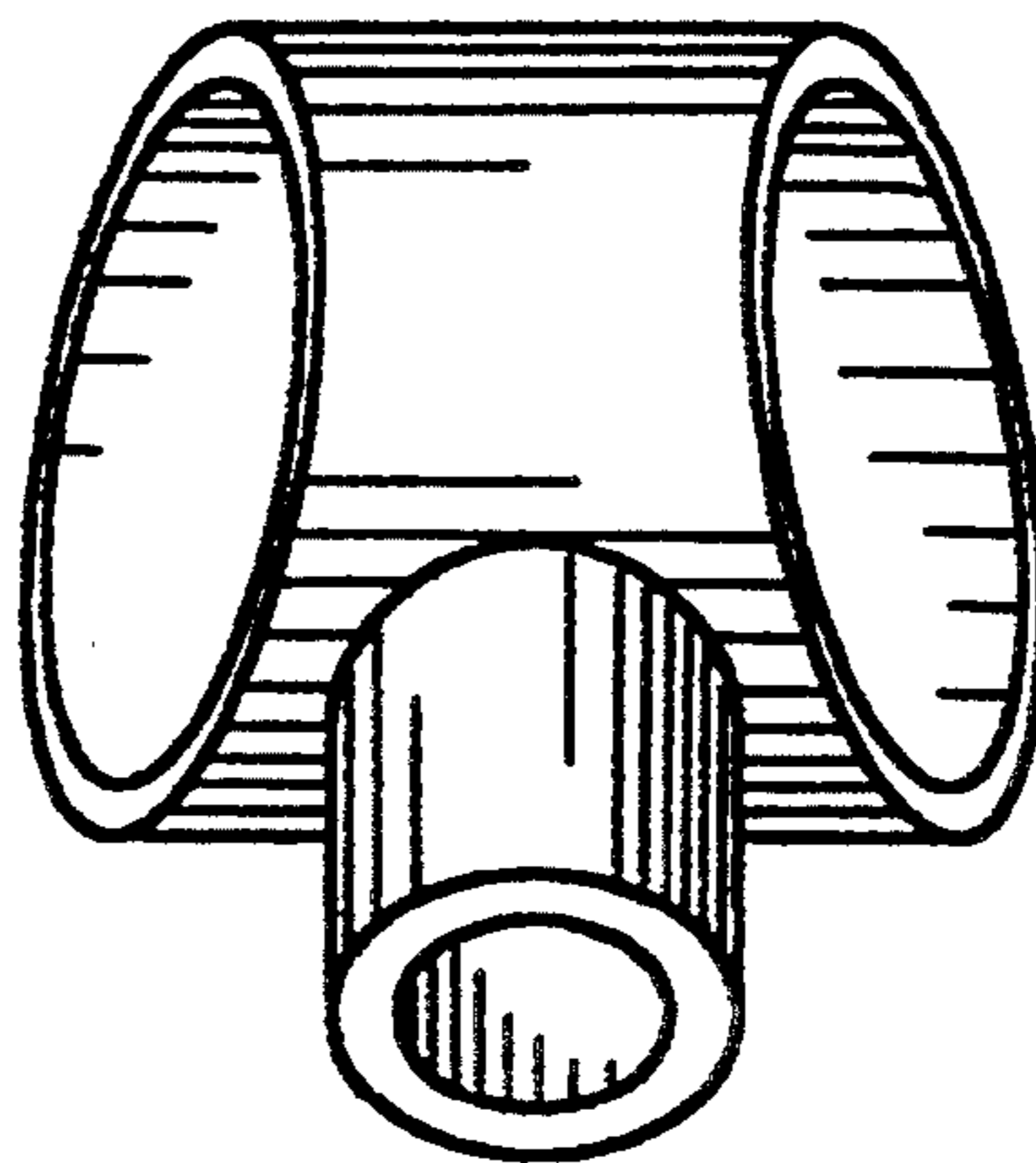


FIG. 13

