



US00D358860S

# United States Patent [19]

[11] Patent Number: **Des. 358,860**

**Pipik**

[45] Date of Patent: **\*\* May 30, 1995**

[54] **PLAYGROUND AND ACTIVITY STRUCTURE**

[75] Inventor: **Nancy M. Pipik, Hudson, Ohio**

[73] Assignee: **The Little Tikes Company, Hudson, Ohio**

[\*\*] Term: **14 Years**

[21] Appl. No.: **12,574**

[22] Filed: **Sep. 7, 1993**

[52] U.S. Cl. .... **D21/245; D21/250**

[58] Field of Search ..... **D21/109, 243-245, D21/250; 482/35, 36; 472/116, 126**

[56] **References Cited**

**U.S. PATENT DOCUMENTS**

D. 77,360	1/1929	Jacobs	.....	D21/250
D. 174,851	5/1955	Caplan	.....	D21/250 X
D. 204,282	4/1966	Morgan	.....	D21/250
D. 281,985	12/1985	Spirk et al.	.....	D21/109
D. 303,826	10/1989	Aker	.....	D21/244
D. 333,328	2/1993	Aker et al.	.....	D21/114
D. 334,610	4/1993	Aker	.....	D21/244
D. 335,697	5/1993	Cleary	.....	D21/250

**OTHER PUBLICATIONS**

The Book of Awards; D. H. Glass Inc., Feb. 1939; p. 79.

P. 35, Kompan Pirate; Kompan, Inc., R.D. #2, Box 249, Marathon, N.Y. 13803; Publication Date 1991.

Pp. 123, 148, 149, 169, 150, 151, 171, Ships; *The Ship* by Bjorn Landstrom, Bokforlaget Forum A.B., Stockholm, Sweden, Publication Date 1961.

*Primary Examiner*—Theodore M. Shooman

*Assistant Examiner*—Mitchell I. Siegel

*Attorney, Agent, or Firm*—Richard B. O'Planick; Lisa B. Riedesel

[57] **CLAIM**

The ornamental design for a playground and activity structure, as shown and described.

**DESCRIPTION**

FIG. 1 is a top right front perspective view of a playground and activity structure showing my new design; FIG. 2 is a right side elevational view thereof; the left side elevational view being a mirror image;

FIG. 3 is a front elevational view thereof;

FIG. 4 is a rear elevational view thereof;

FIG. 5 is a top plain view thereof; and,

FIG. 6 is a top right front perspective view of an alternate embodiment of a playground and activity structure showing my new design.

The undisclosed rear elevation of FIG. 6 is similar to that disclosed in FIG. 4 of the first embodiment;

The broken lines are for illustrative purposes only and form no part of the claimed design.



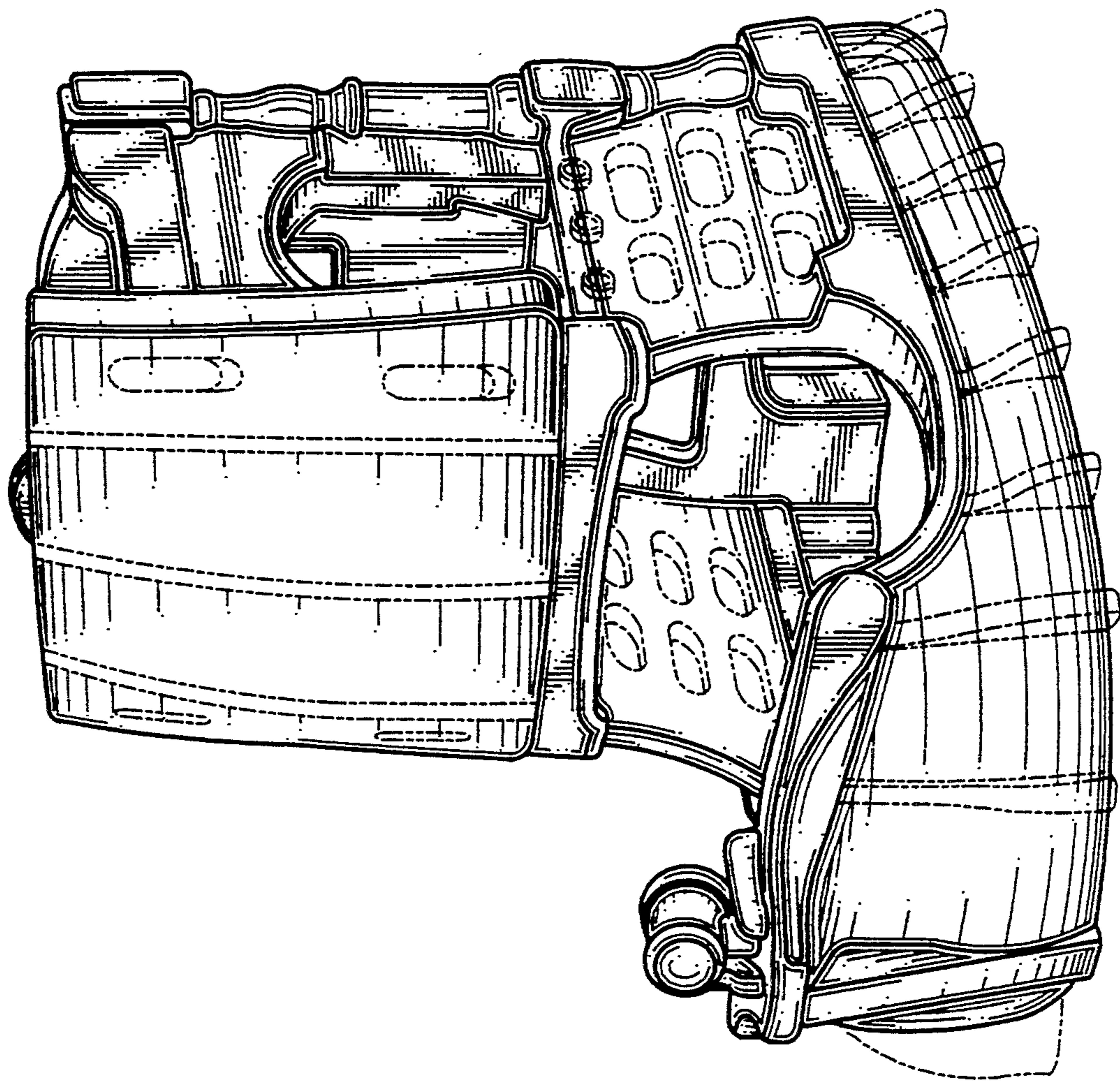


FIG. 1

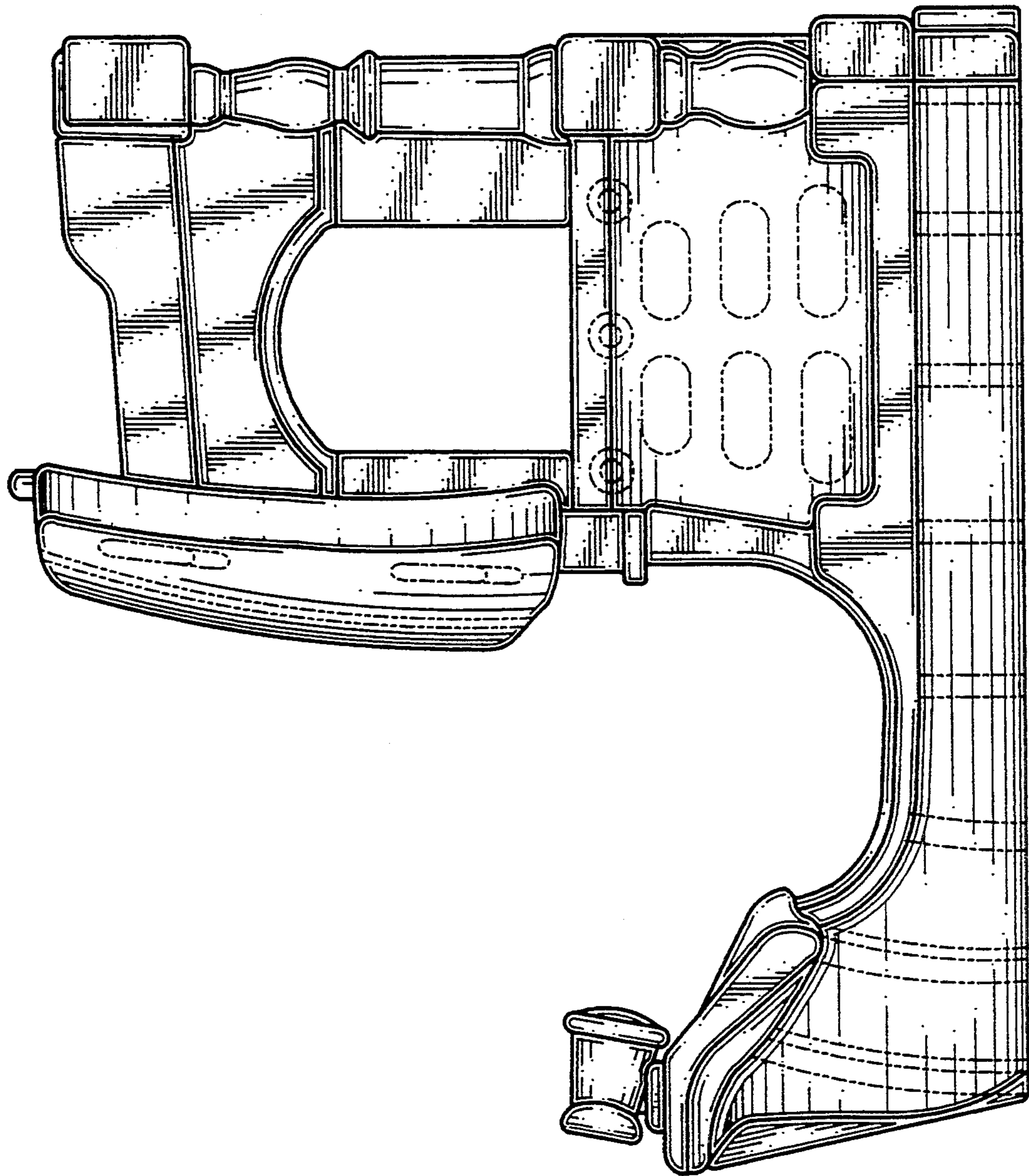


FIG. 2

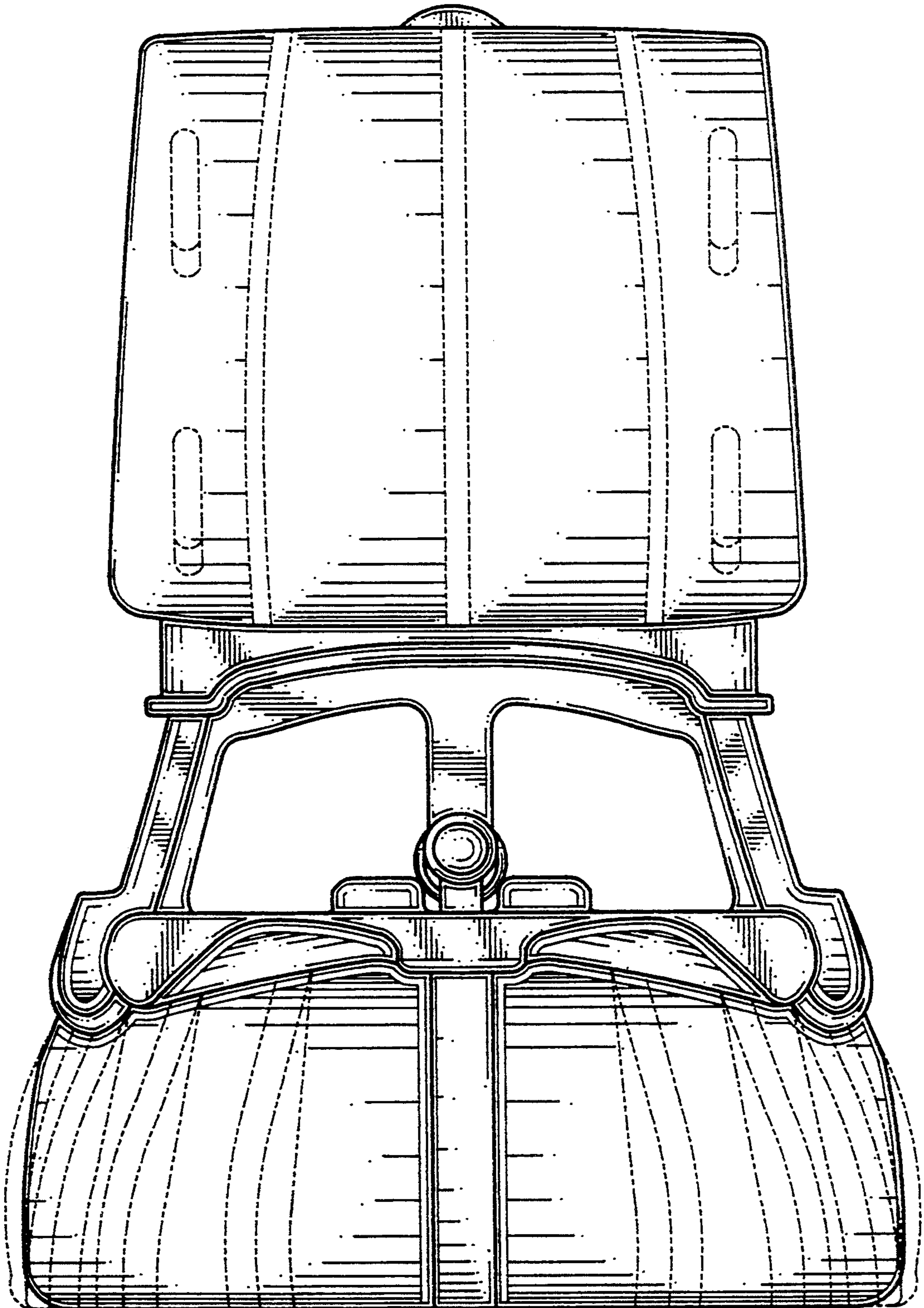


FIG. 3

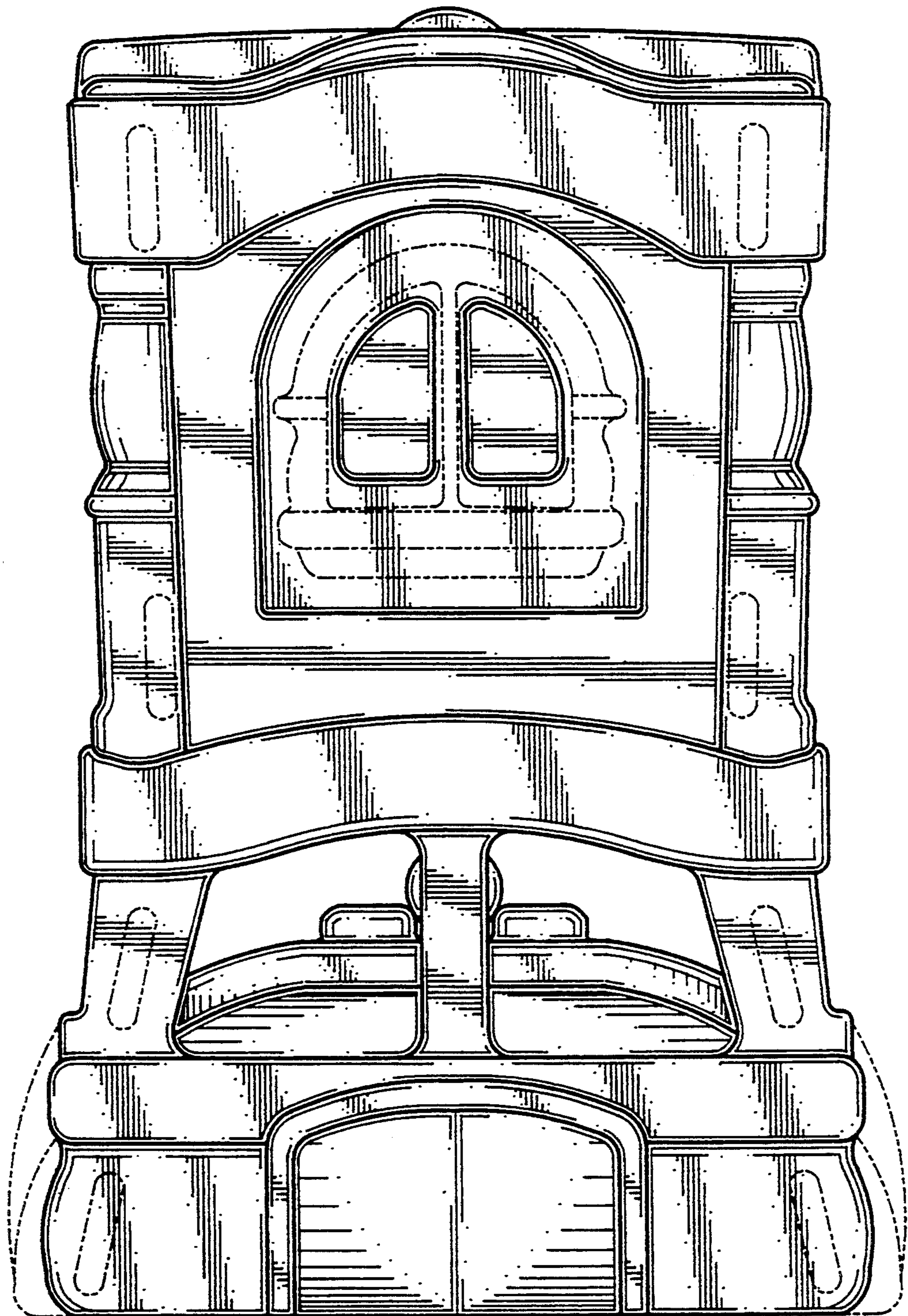


FIG. 4

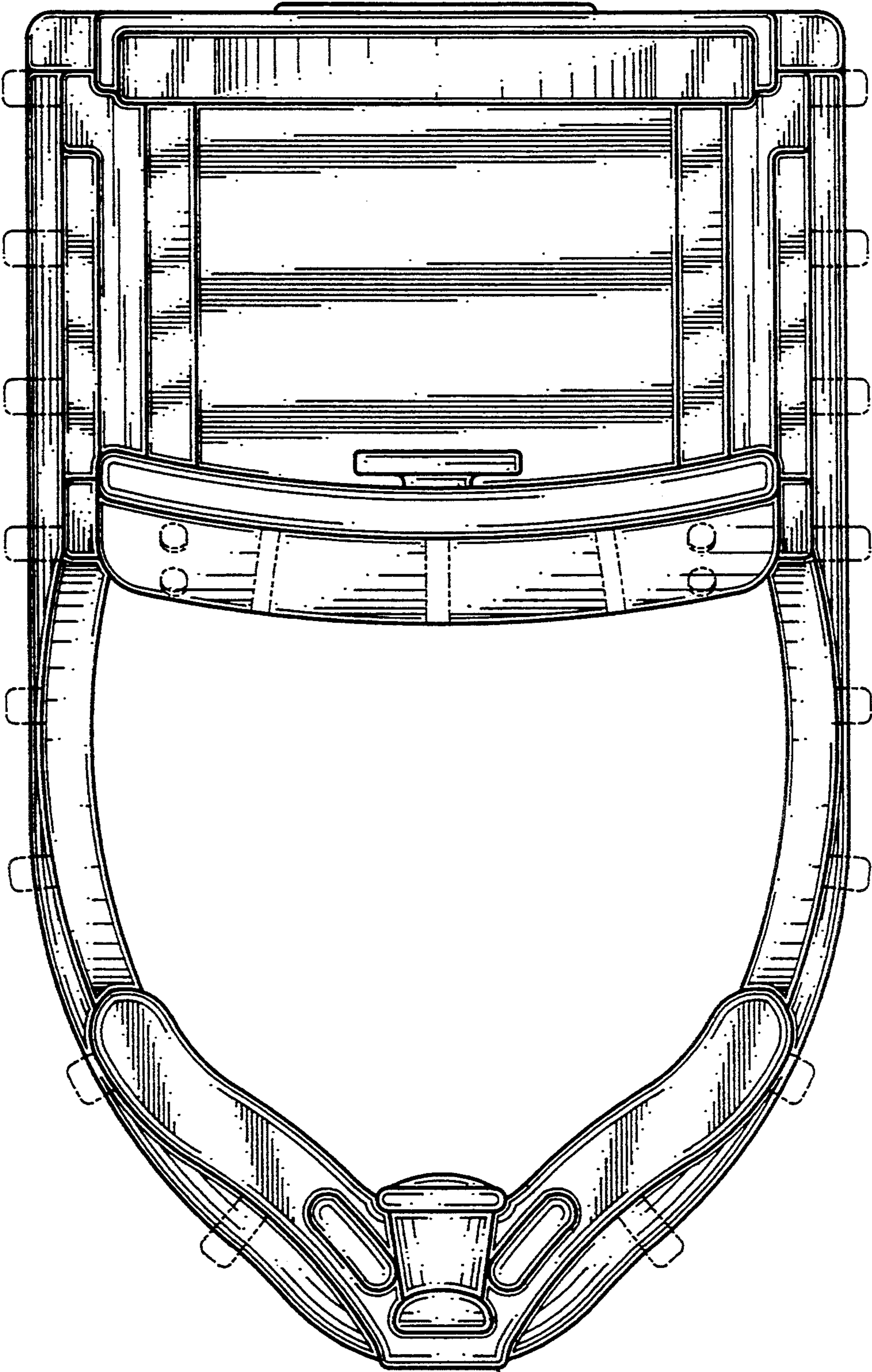


FIG. 5

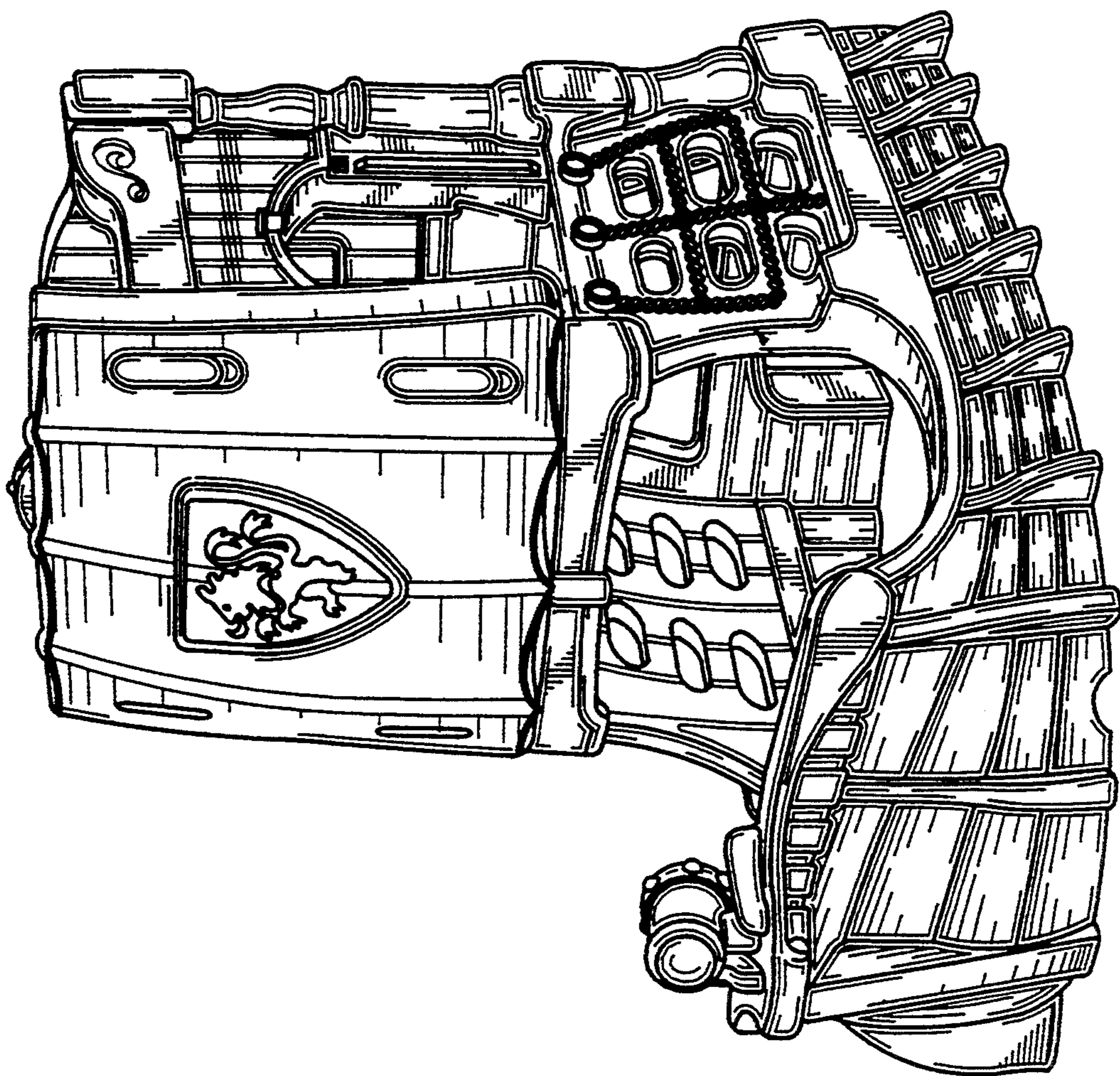


FIG. 6