



US00D358859S

# United States Patent [19]

[11] Patent Number: **Des. 358,859**

**Bernardo**

[45] Date of Patent: **\*\* May 30, 1995**

[54] TRAINING BAT

[76] Inventor: **Joseph D. Bernardo, 5 Main St., Wilkes-Barre, Pa. 18702**

[\*\*] Term: **14 Years**

[21] Appl. No.: **18,522**

[22] Filed: **Feb. 9, 1994**

[52] U.S. Cl. .... **D21/211**

[58] Field of Search ..... **D21/211; 273/260 B, 273/26 R, 67 R, 72 R**

[56] **References Cited**

**U.S. PATENT DOCUMENTS**

D. 291,463	8/1987	Hartt	.....	D21/210
3,122,365	2/1964	August	.	
3,206,195	9/1965	Myers	.	
3,268,226	8/1966	Martino	.	

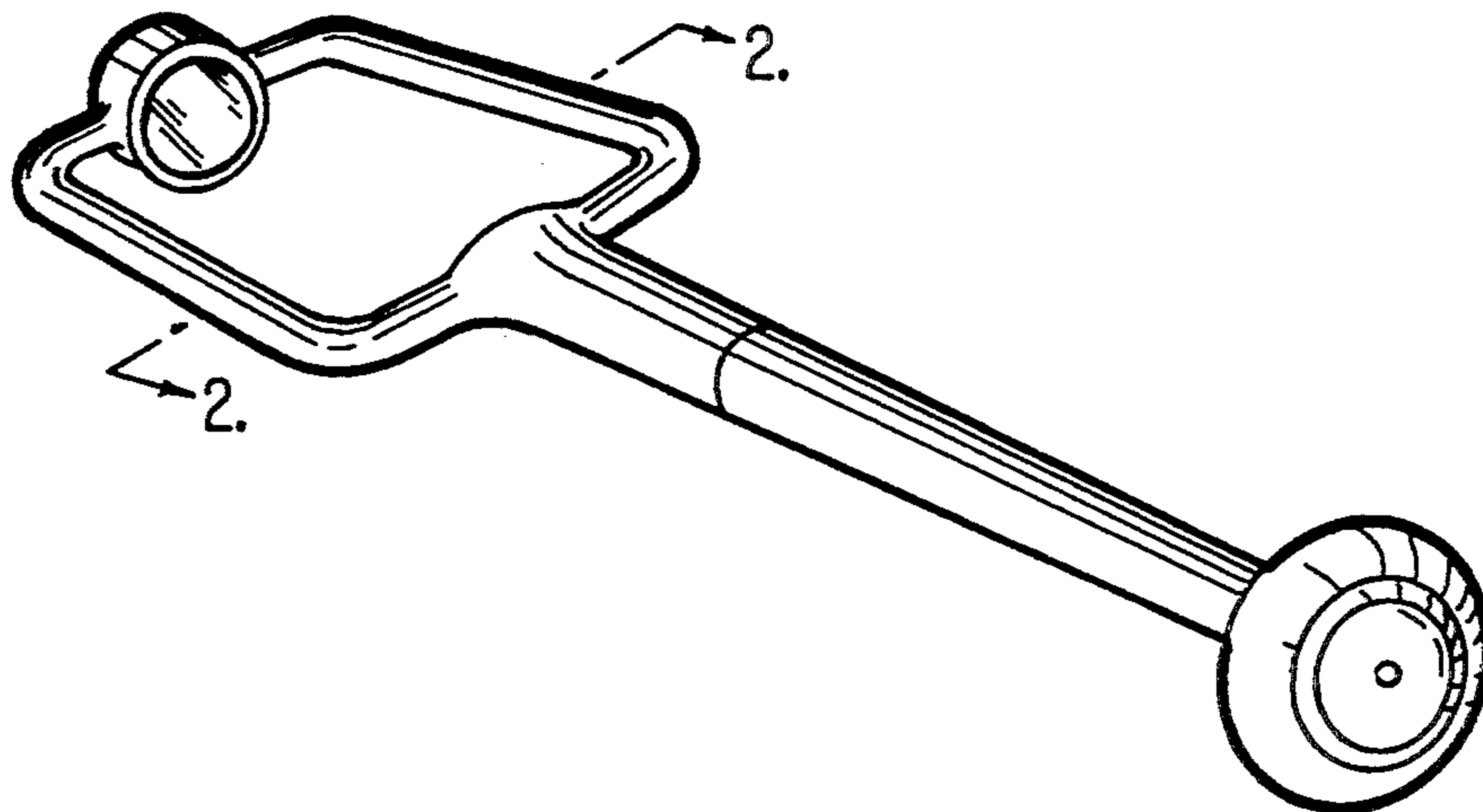
*Primary Examiner*—Terry A. Wallace  
*Assistant Examiner*—Mitchell I. Siegel  
*Attorney, Agent, or Firm*—Oblon, Spivak, McClelland, Maier, & Neustadt

[57] **CLAIM**

The ornamental design for training bat, as shown and described.

**DESCRIPTION**

FIG. 1 is a top, front and right side perspective view of a training bat, showing my new design;  
FIG. 2 is a section view taken on line 2—2 of FIG. 1;  
FIG. 3 is a rear view of FIG. 1;  
FIG. 4 is a front view of FIG. 1;  
FIG. 5 is a top view of FIG. 1, the bottom view being a mirror image;  
FIG. 6 is a right side view of FIG. 1; and,  
FIG. 7 is a left side view of FIG. 1.



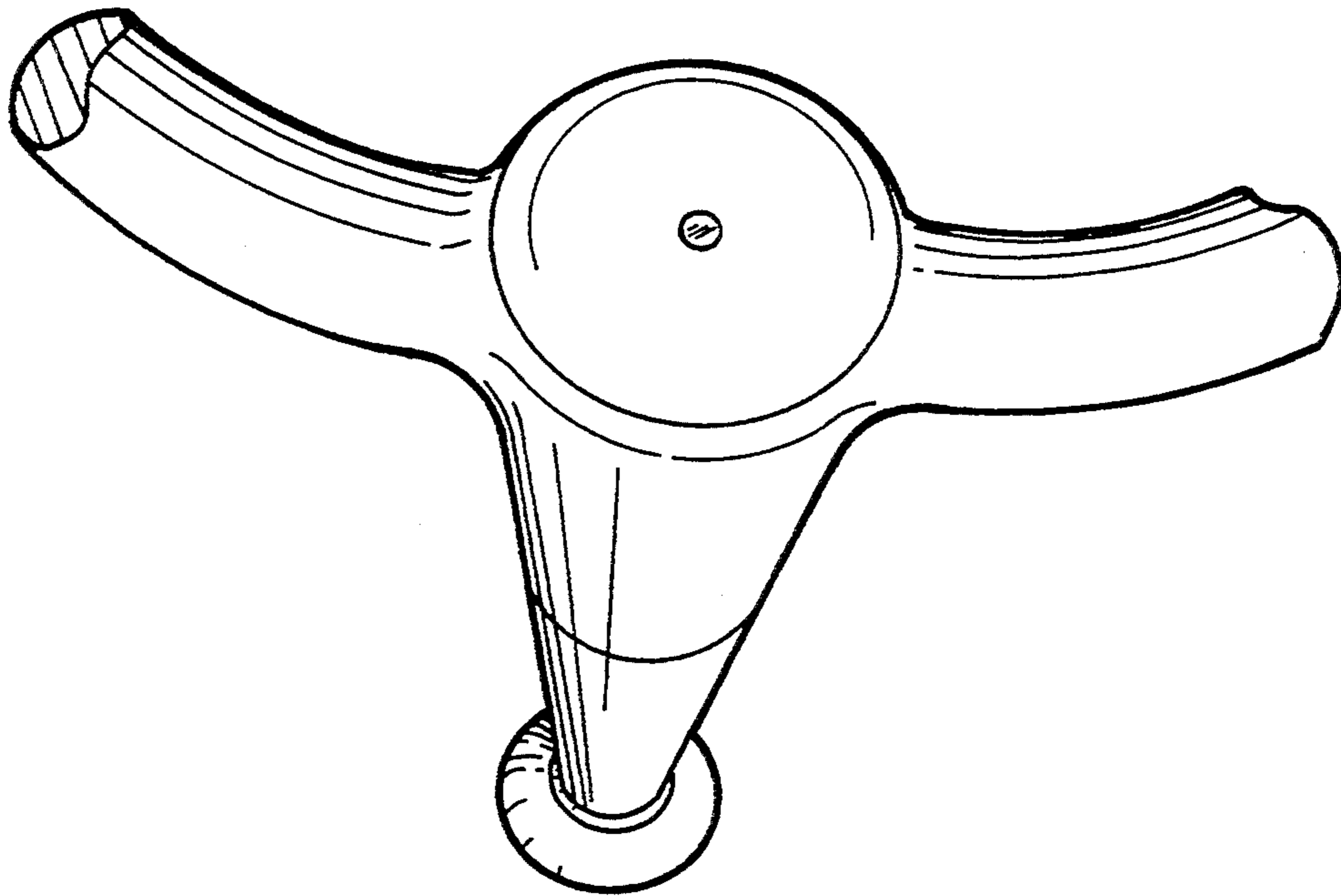


FIG. 2

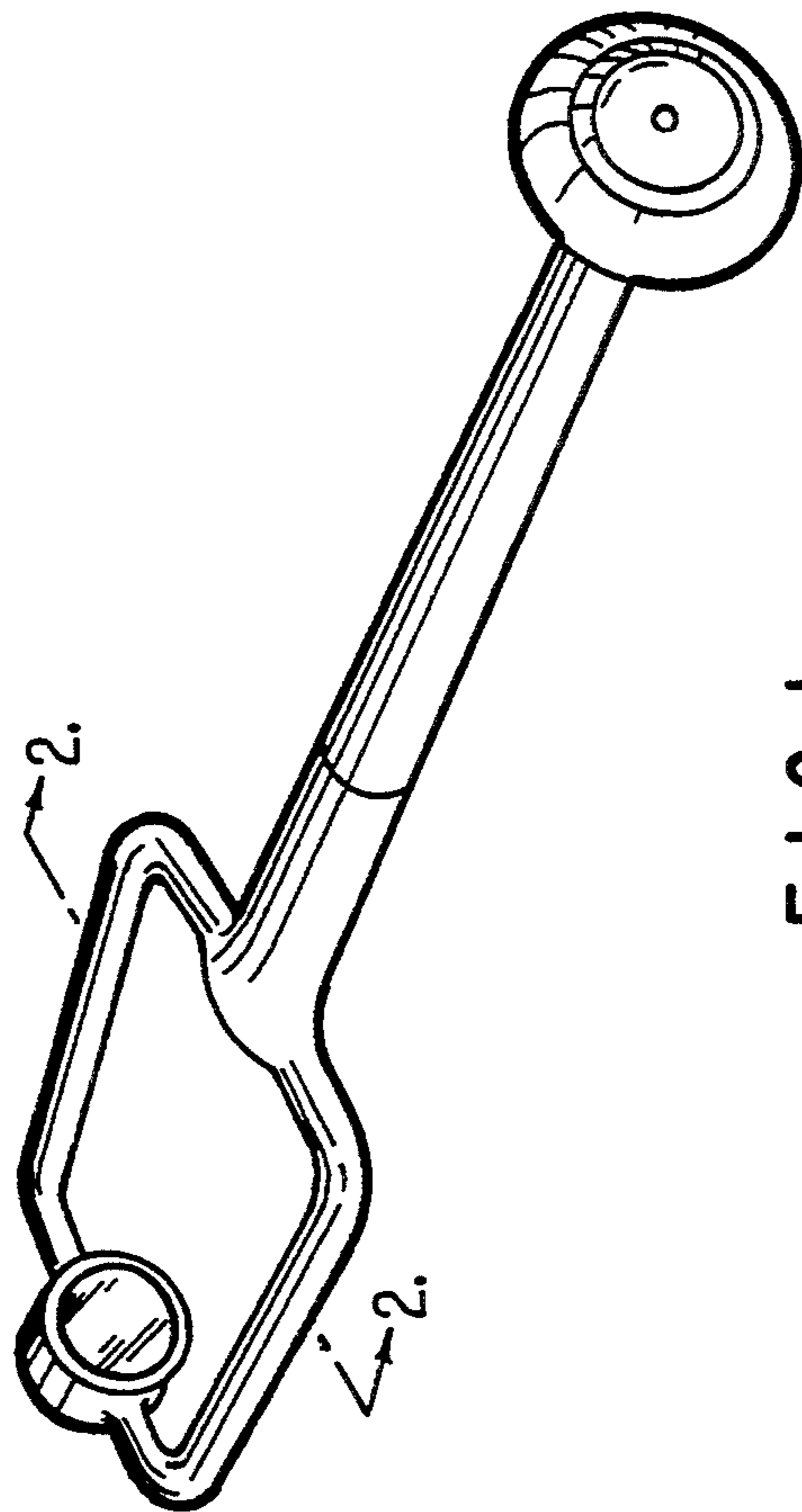


FIG. 1

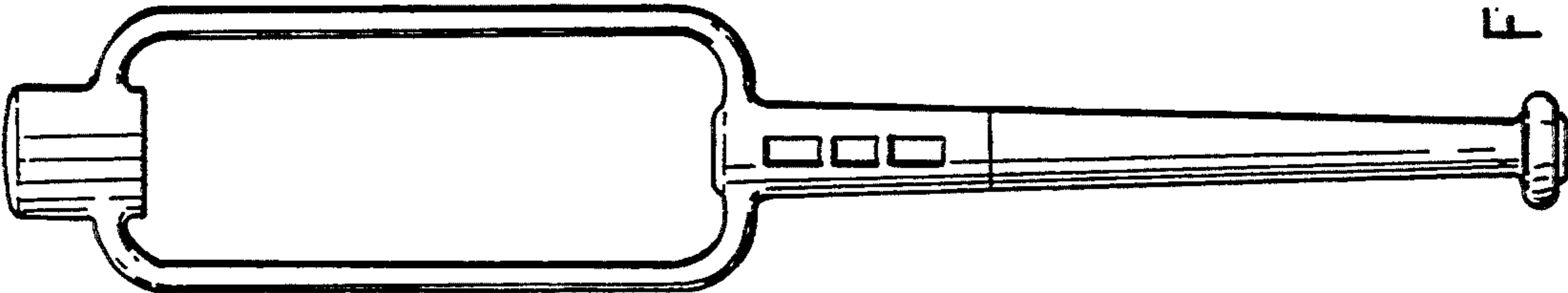


FIG. 3

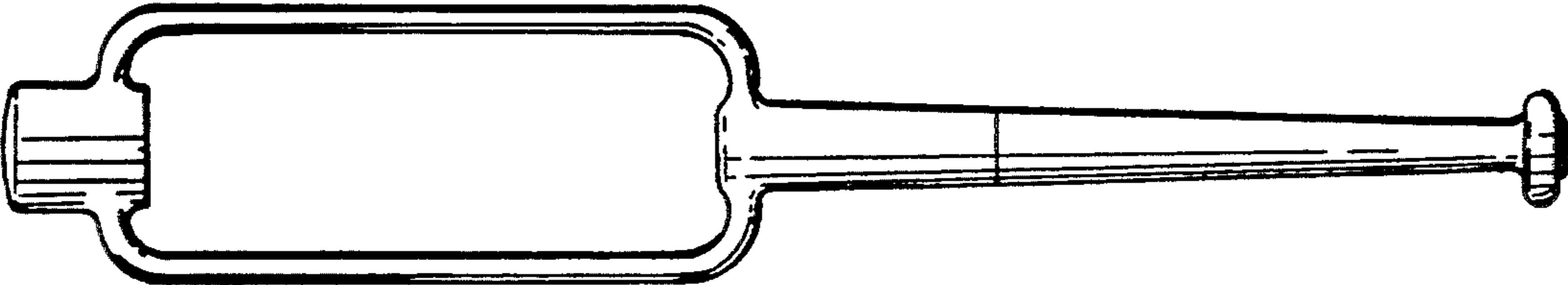


FIG. 4



FIG. 5

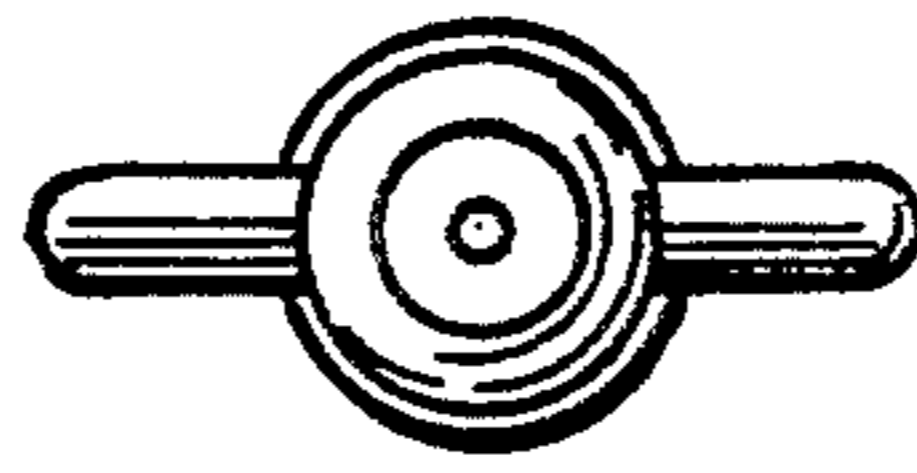


FIG. 6

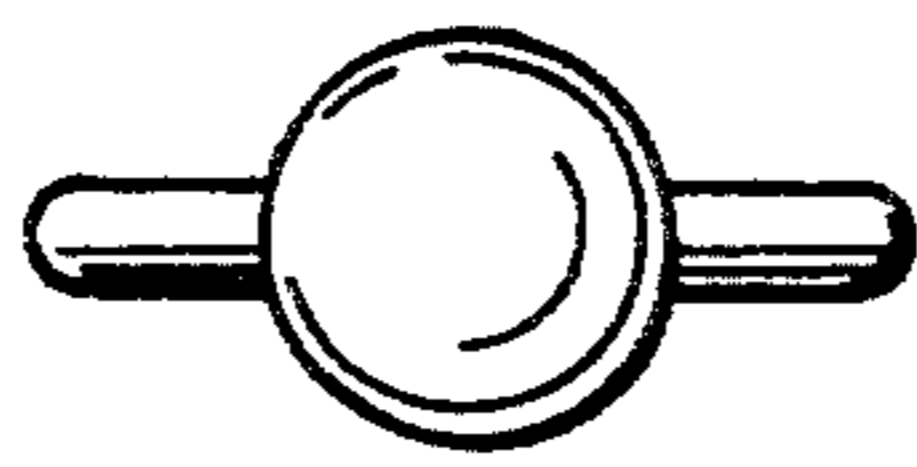


FIG. 7