



US00D358855S

United States Patent [19]

[11] Patent Number: **Des. 358,855**

Wang

[45] Date of Patent: **** May 30, 1995**

[54] **ROWING EXERCISER**

[75] Inventor: **Leao Wang, Taichung Hsien, Taiwan, Prov. of China**

[73] Assignee: **Greenmaster Industrial Corporation, Taiping Hsian, Taiwan, Prov. of China**

[**] Term: **14 Years**

[21] Appl. No.: **16,366**

[22] Filed: **Dec. 15, 1993**

[52] U.S. Cl. **D21/195**

[58] Field of Search **D21/191, 192, 193, 194, D21/195; 482/57, 58, 59, 72, 73**

[56] **References Cited**

U.S. PATENT DOCUMENTS

- D. 268,278 3/1983 Smith D21/195
- D. 272,376 1/1984 Cunnington et al. D21/198
- D. 283,530 4/1986 Smith et al. D21/195
- D. 285,472 9/1986 Gremonprez D21/195

- D. 286,311 10/1986 Martinell et al. D21/195
- D. 287,388 12/1986 Cheng D21/195
- D. 297,853 9/1988 Ostrom D21/195
- D. 324,709 3/1993 Lehtonen D21/195
- D. 337,799 7/1993 Cutter et al. D21/191
- 4,723,774 2/1988 Monforte 482/72
- 4,884,802 12/1989 Graham 482/130

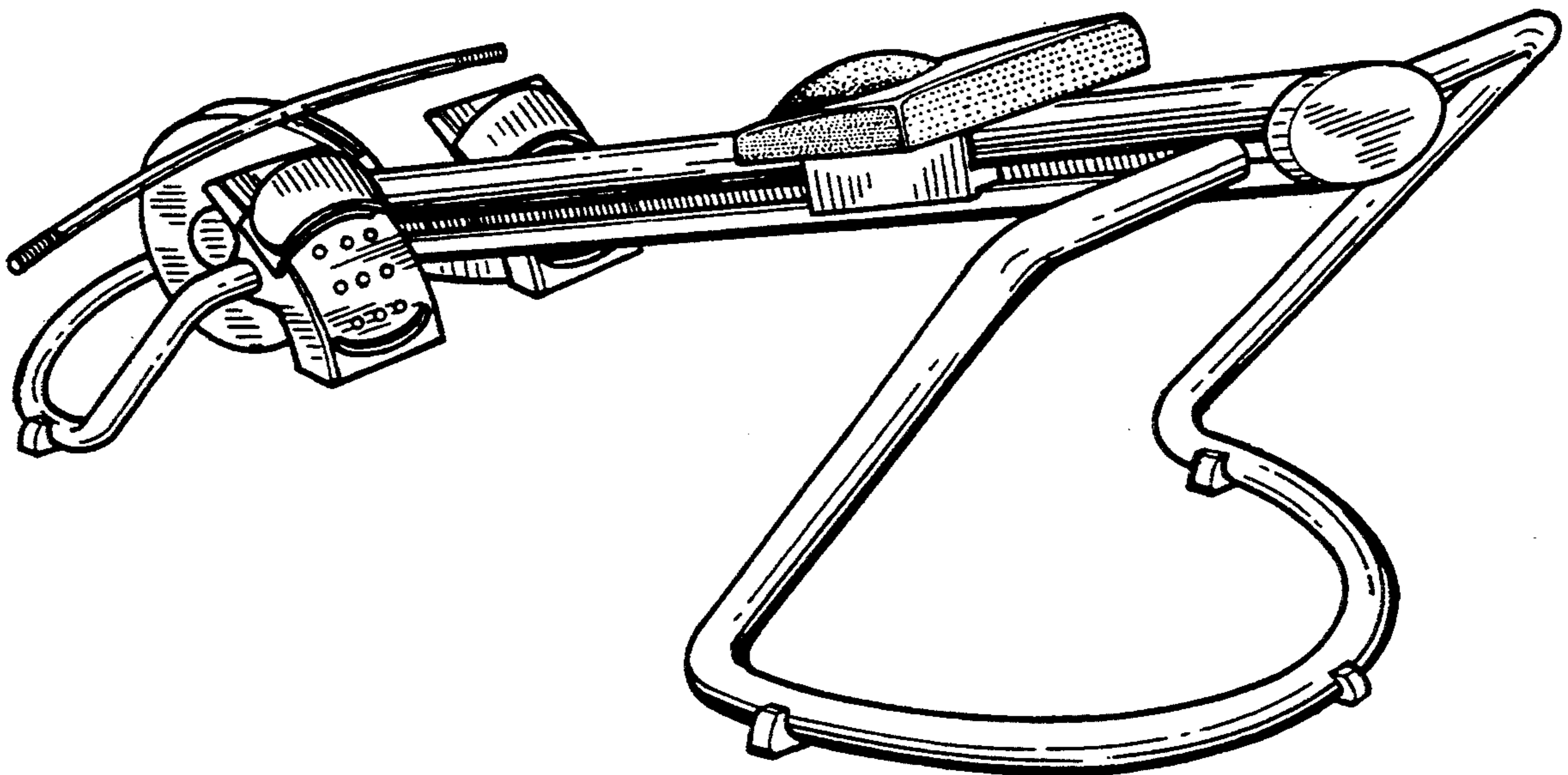
Primary Examiner—Terry A. Wallace
Assistant Examiner—Philip Hyder
Attorney, Agent, or Firm—Bacon & Thomas

[57] **CLAIM**

The ornamental design for a rowing exerciser, as shown and described.

DESCRIPTION

FIG. 1 is a perspective view of a rowing exerciser showing my new design;
FIG. 2 is a front elevational view thereof;
FIG. 3 is a rear elevational view thereof;
FIG. 4 is a side elevational view thereof;
FIG. 5 is a top view thereof; and,
FIG. 6 is a bottom view thereof.



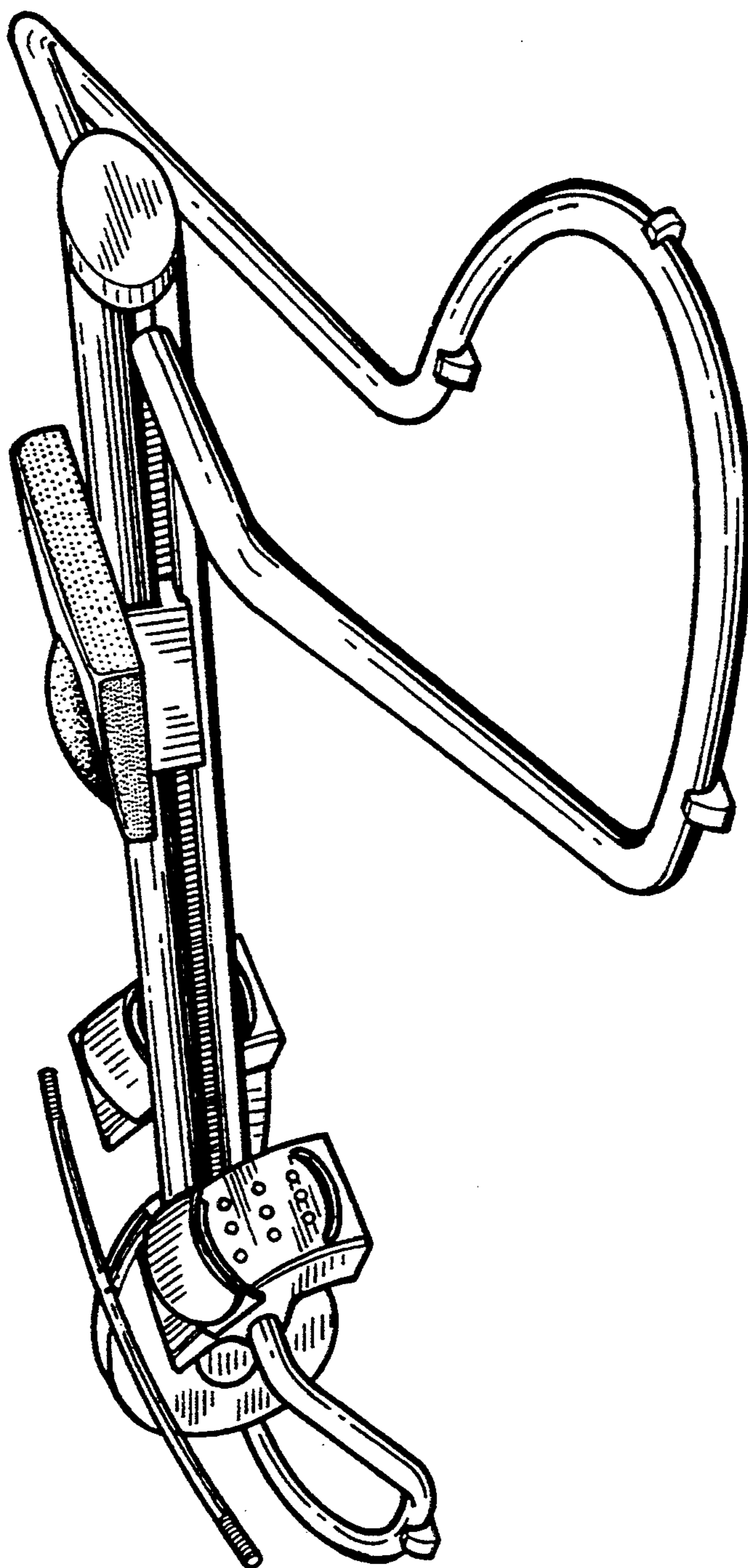


FIG. 1

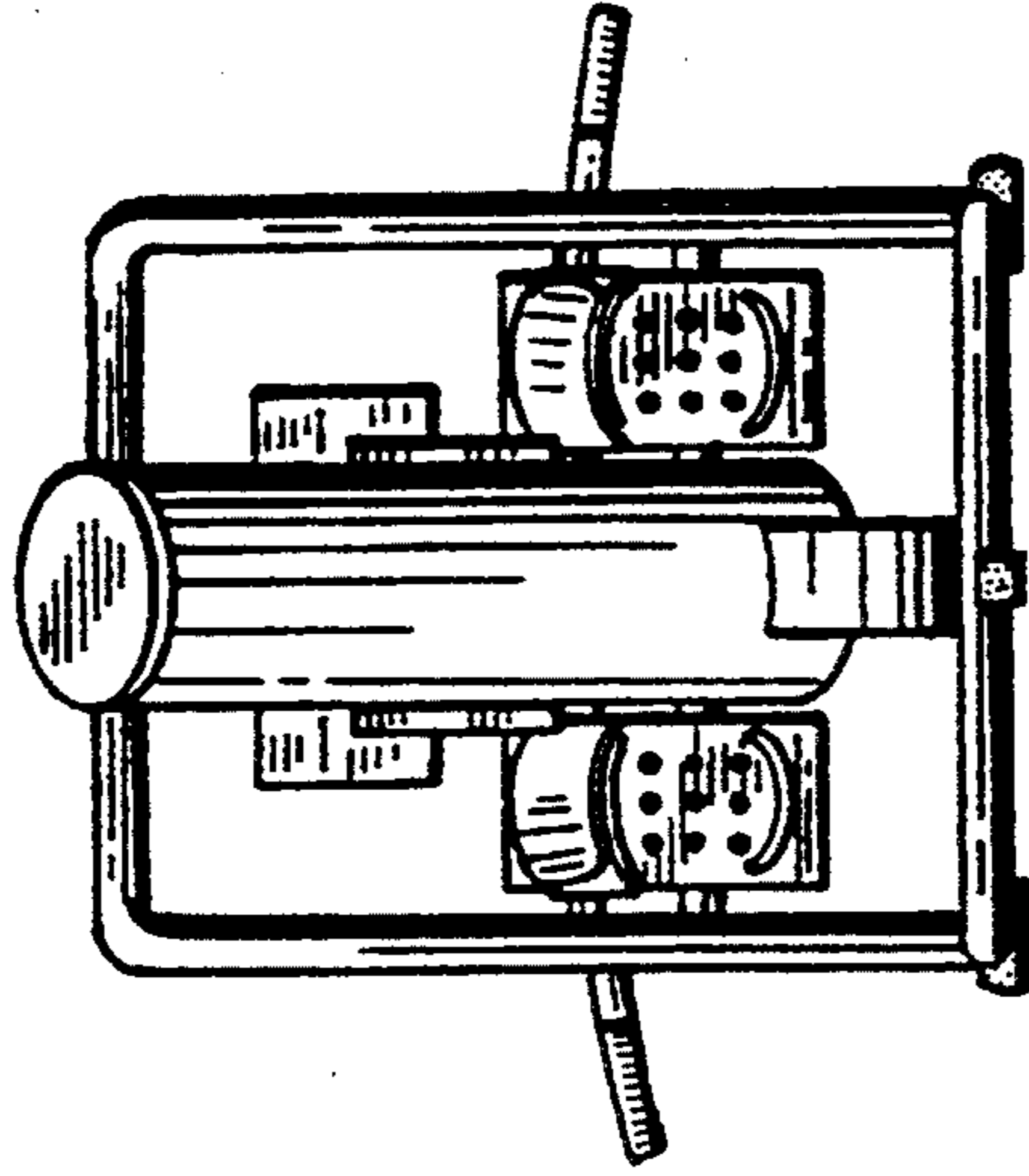


FIG. 3

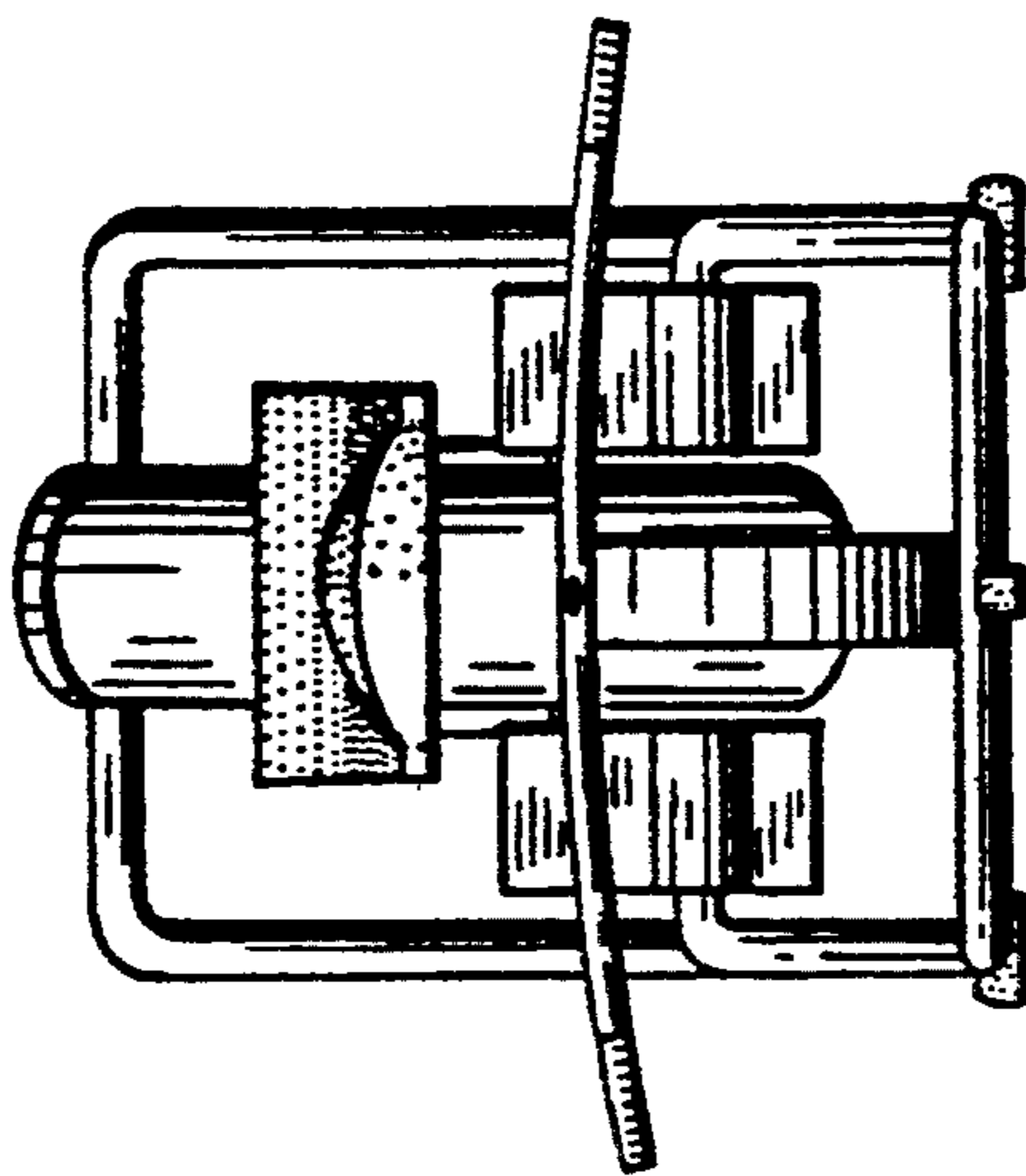


FIG. 2

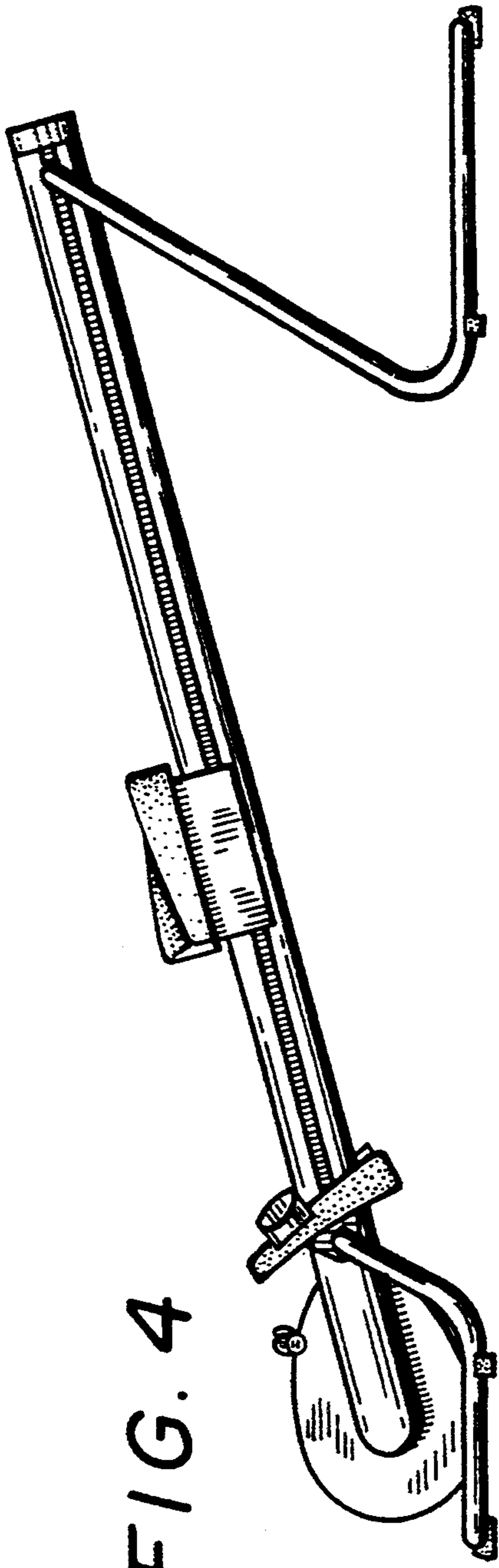


FIG. 4

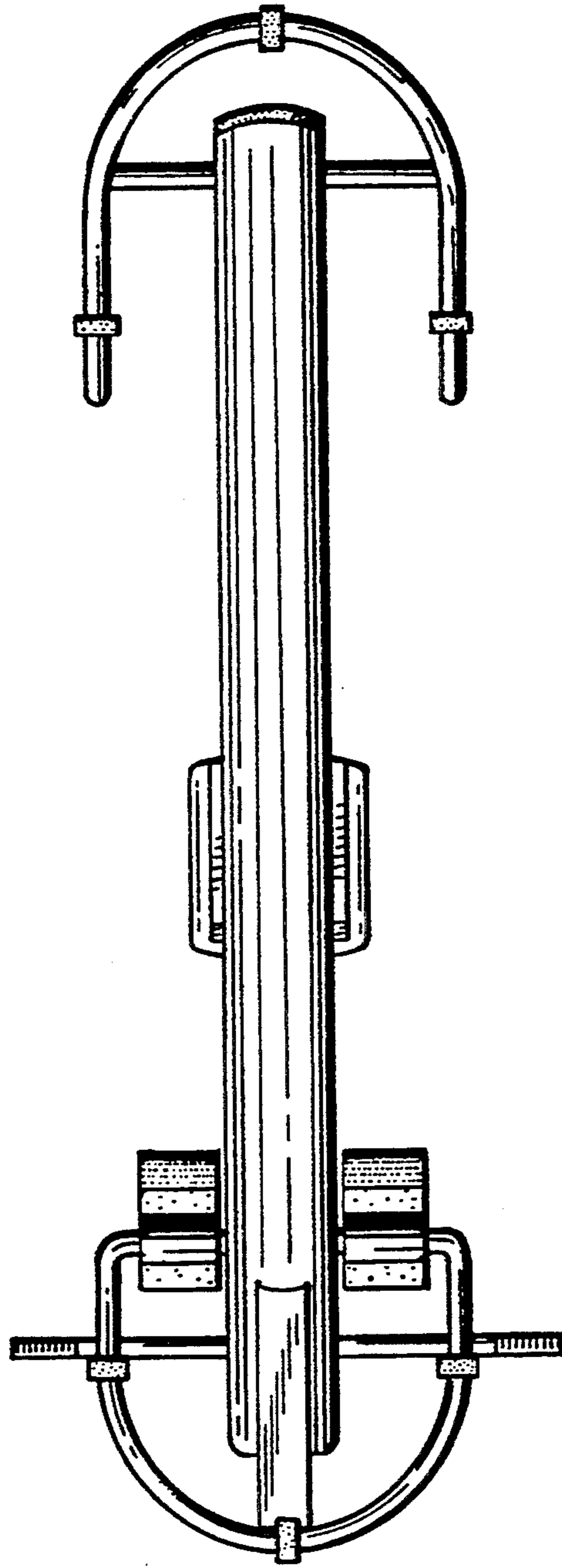


FIG. 6

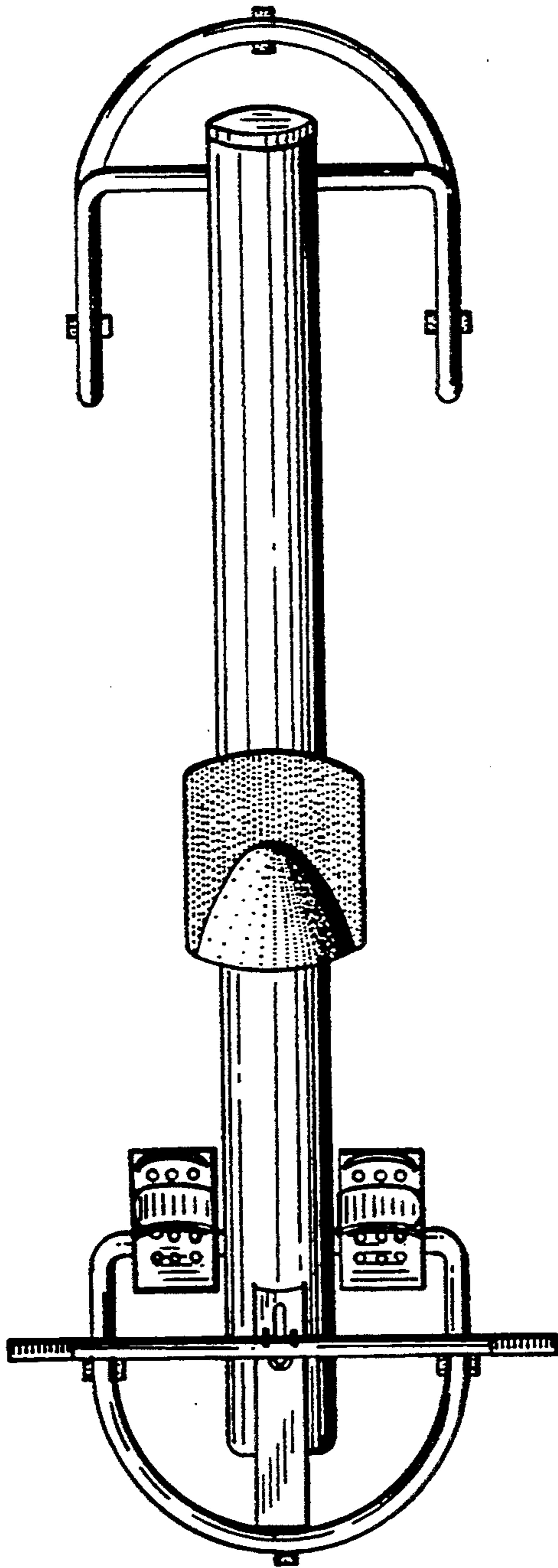


FIG. 5