



US00D358852S

United States Patent [19]

[11] Patent Number: **Des. 358,852**

Monneret

[45] Date of Patent: **** May 30, 1995**

[54] **TOY DRESSING TABLE**

D. 308,896 6/1990 Ng D21/121
D. 321,219 10/1991 Monneret D21/121

[75] Inventor: **Alain Monneret, Voiteur, France**

[73] Assignee: **Monneret Jouets, Lons-le-Saunier, France**

[**] Term: **14 Years**

[21] Appl. No.: **10,497**

[22] Filed: **Jul. 12, 1993**

[30] Foreign Application Priority Data

Jan. 18, 1993 [XH] Hague Agreement DM/024947

[52] U.S. Cl. **D21/121**

[58] Field of Search D21/120, 121; D23/271, D23/272, 286; 446/479, 481, 482, 70

[56] References Cited

U.S. PATENT DOCUMENTS

- D. 88,405 11/1932 Hagopian D23/286
- D. 260,540 9/1981 Nottingham D21/121
- D. 276,741 12/1984 Appel D21/121
- D. 287,741 1/1987 Taylor D21/121
- D. 290,858 7/1987 Smith D21/121

OTHER PUBLICATIONS

Sears Wish Book, p. 373 "A".

Primary Examiner—Bernard Ansher

Assistant Examiner—R. Barkai

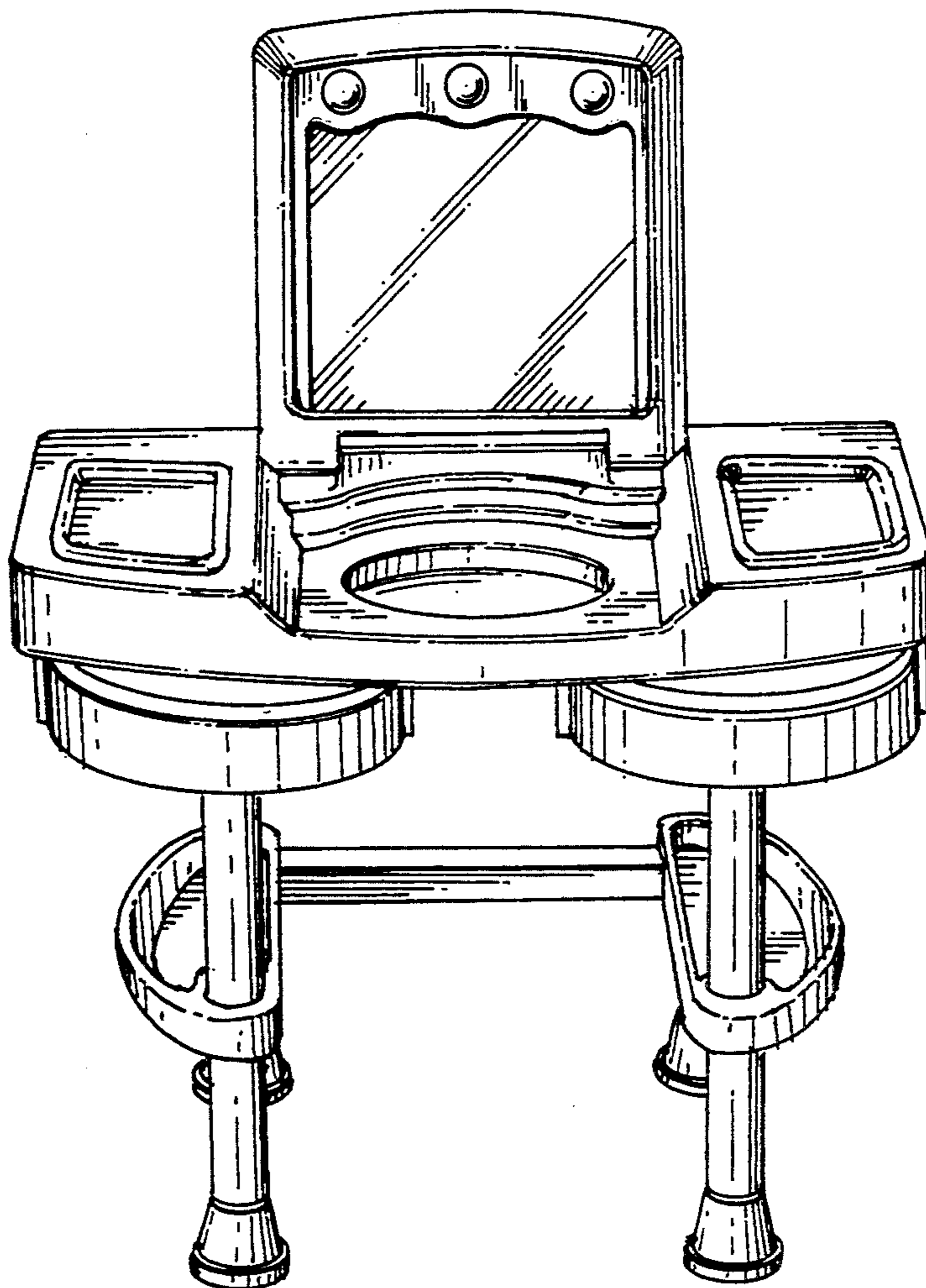
Attorney, Agent, or Firm—Young & Thompson

[57] CLAIM

The ornamental design for a toy dressing table, as shown and described.

DESCRIPTION

FIG. 1 is a top and front perspective view of a toy dressing table showing my new design;
 FIG. 2 is a front elevational view thereof;
 FIG. 3 is a side elevational view thereof from the left of FIG. 2, the side elevational view opposite that shown in FIG. 3 being the mirror image thereof;
 FIG. 4 is a rear elevational view thereof; and,
 FIG. 5 is a view similar to FIG. 1 but showing the mirror lowered by being swung forwardly and downwardly.



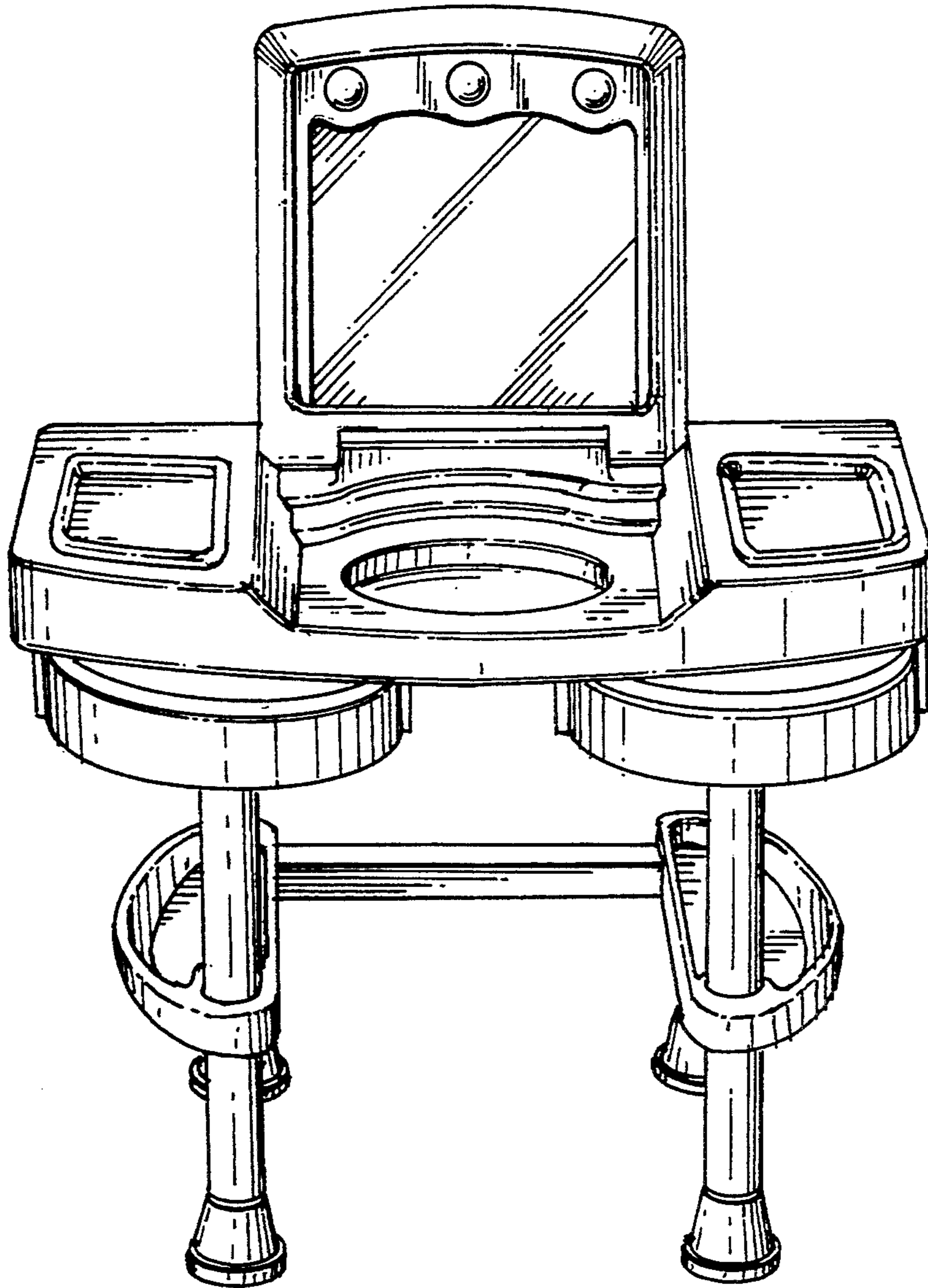


FIG. 1

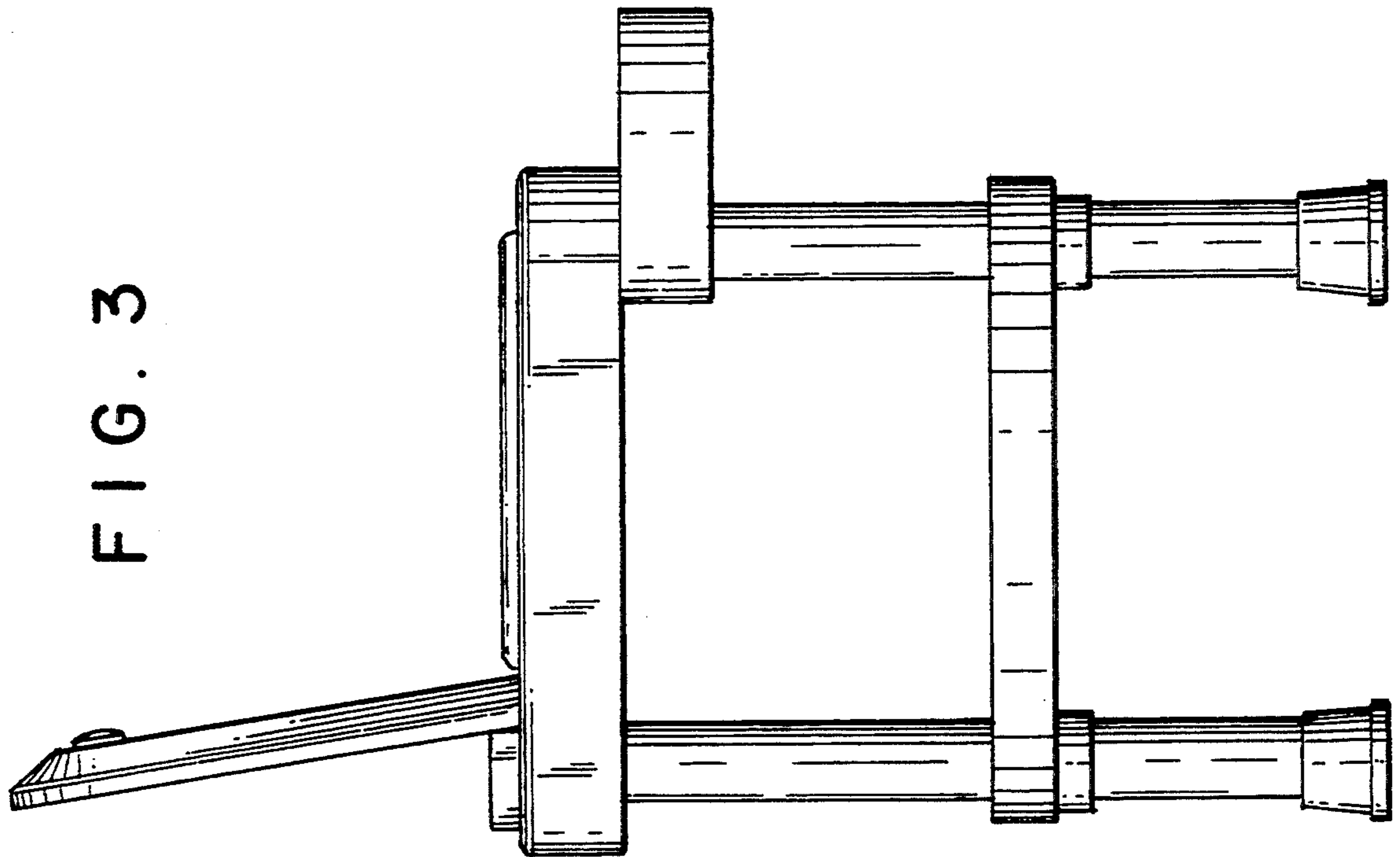


FIG. 3

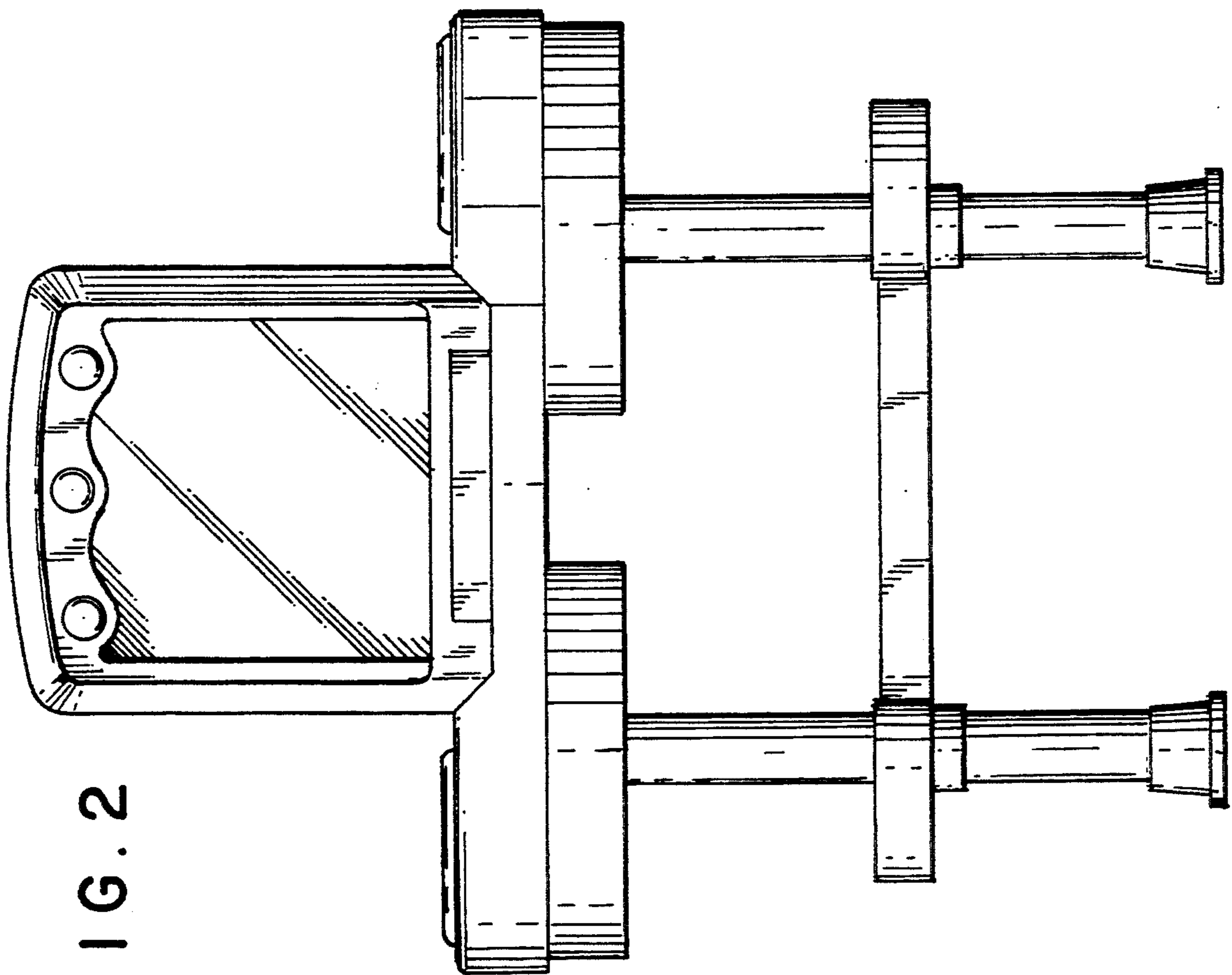


FIG. 2

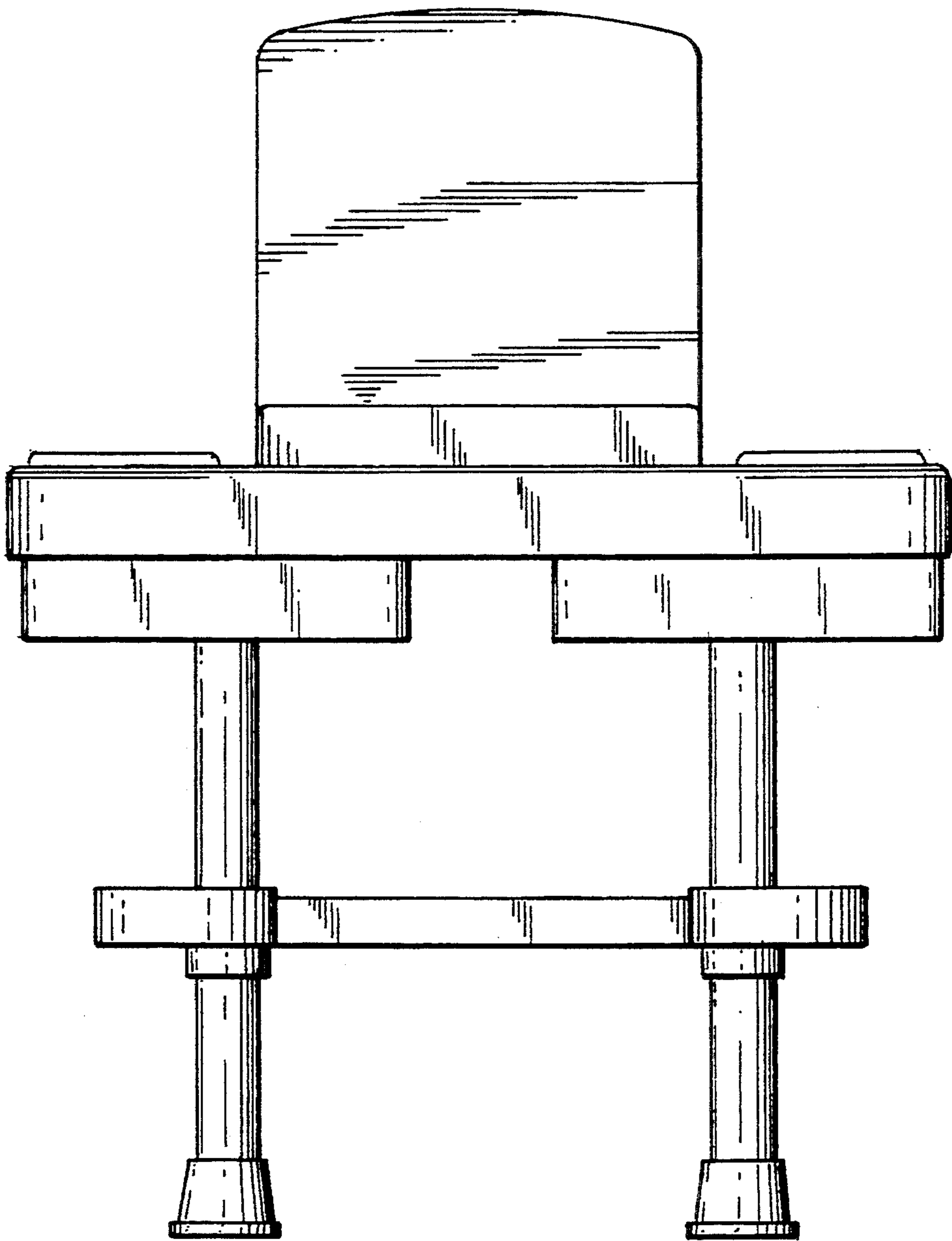


FIG. 4

FIG. 5

