



US00D358846S

United States Patent [19]

[11] Patent Number: **Des. 358,846**

Kirchhoff et al.

[45] Date of Patent: **** May 30, 1995**

[54] **NOTE PAD HOLDER**

[75] Inventors: **Kenneth J. Kirchhoff**, Gem Lake;
Casey L. Carlson, Edina, both of
Minn.

[73] Assignee: **Minnesota Mining and
Manufacturing Company**, St. Paul,
Minn.

[**] Term: **14 Years**

[21] Appl. No.: **10,207**

[22] Filed: **Jun. 30, 1993**

[52] U.S. Cl. **D19/78; D19/84;
D19/92**

[58] Field of Search **D6/466; D19/65, 75,
D19/76, 77, 78, 81-85, 86, 90, 91, 92, 95, 99,
100; 206/215, 214, 554, 555; 211/10, 11, 13,
69.1-69.9, 126, 50, 55**

[56] **References Cited**

U.S. PATENT DOCUMENTS

D. 140,242 2/1945 Wemyss D6/466
D. 270,739 9/1983 Pearson D19/78

D. 287,862 1/1987 Hauser et al. D19/78
D. 305,246 12/1989 Kirchhoff et al. D19/75
D. 317,017 5/1991 Kheng D19/78
D. 322,990 1/1992 Samuelson D19/78
D. 328,099 7/1992 Williams D19/78 X
D. 342,758 12/1993 Kirchhoff D19/75
D. 342,759 12/1993 Kirchhoff D19/86
D. 342,760 12/1993 Kirchhoff D19/90
4,696,399 9/1987 Windorski 206/565

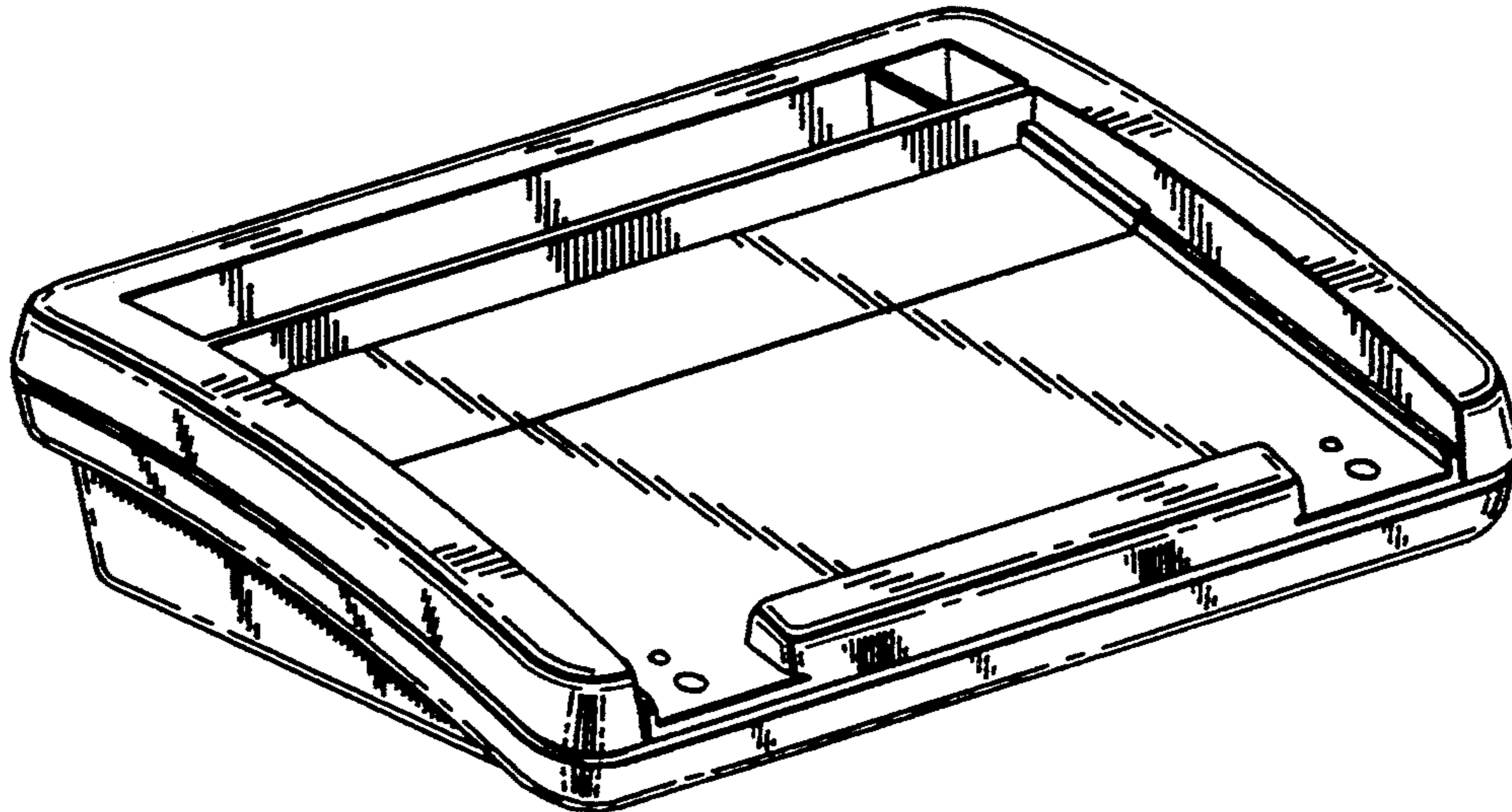
Primary Examiner—Martie Thompson
Attorney, Agent, or Firm—Gary L. Griswold; Walter N.
Kirn; William L. Huebsch

[57] **CLAIM**

The ornamental design for a note pad holder, as shown
and described.

DESCRIPTION

FIG. 1 is a top, left front isometric view of a note pad
holder showing our new design;
FIG. 2 is a front elevational view thereof;
FIG. 3 is a rear elevational view thereof;
FIG. 4 is a top plan view thereof;
FIG. 5 is a bottom plan view thereof; and,
FIG. 6 is a left side elevational view thereof, the right
side elevational view being the mirror image thereof.



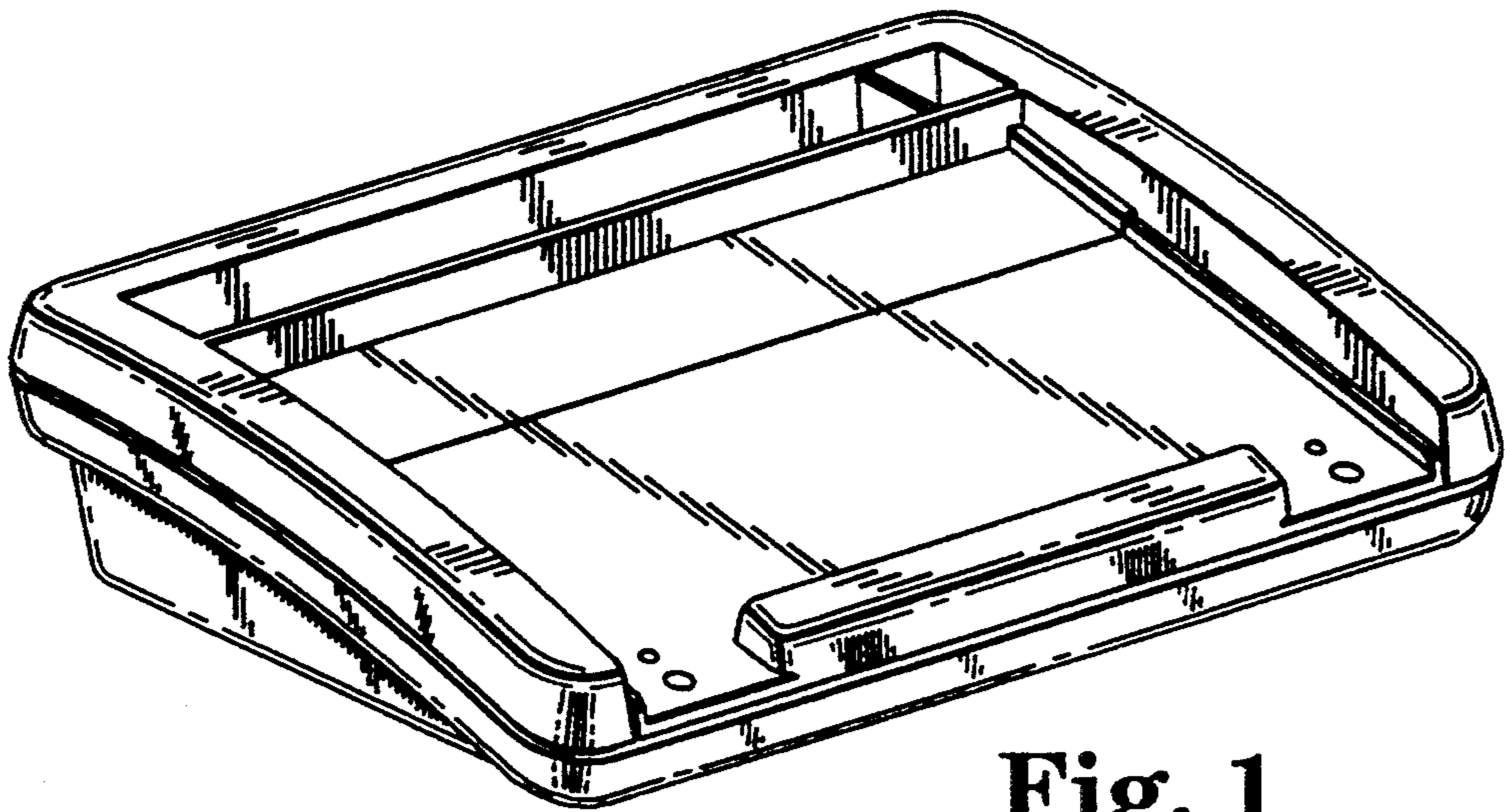


Fig. 1

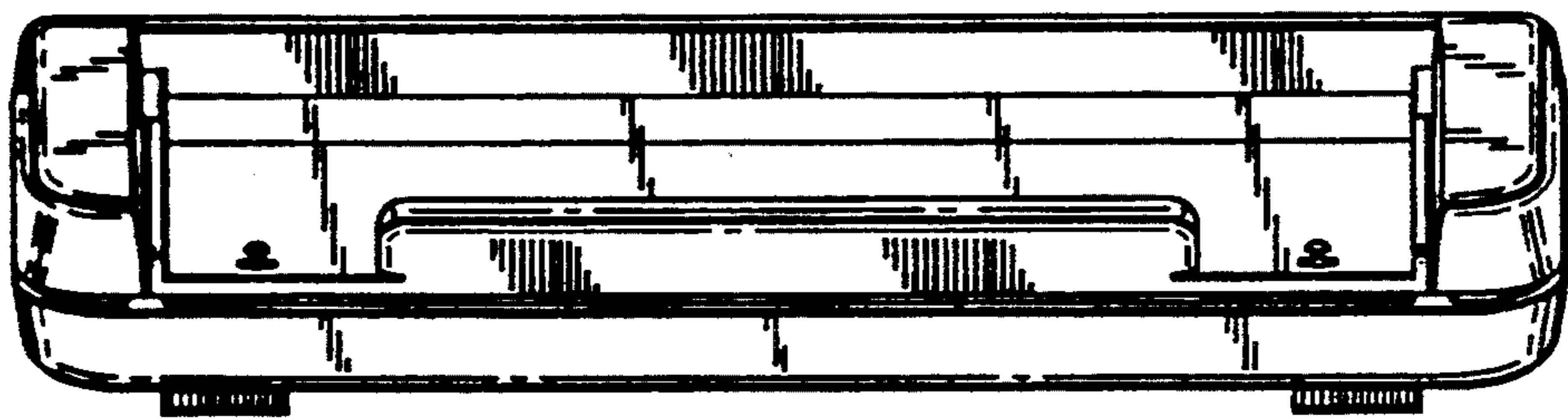


Fig. 2

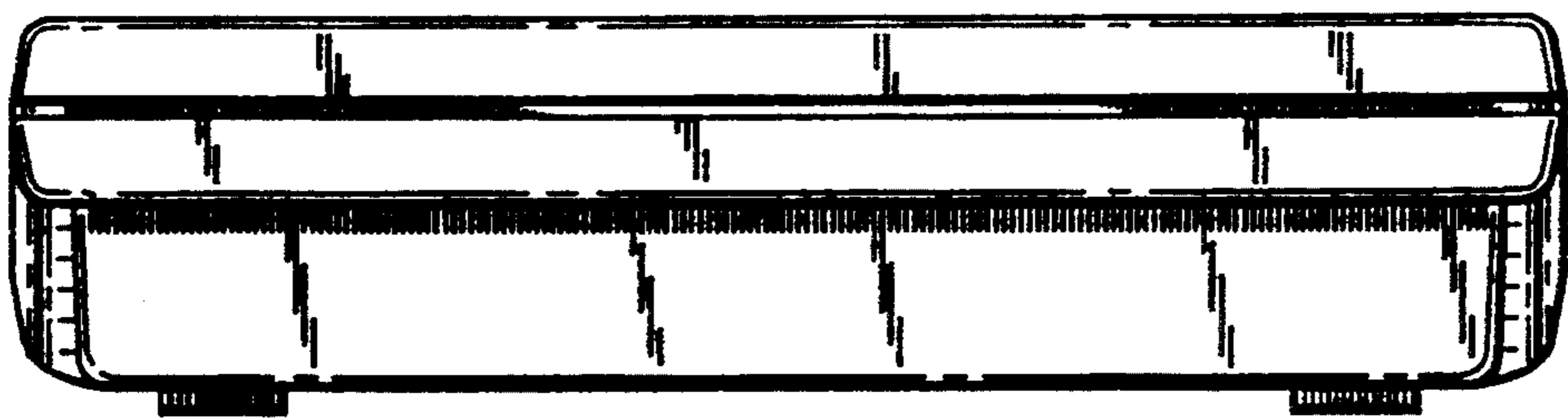


Fig. 3

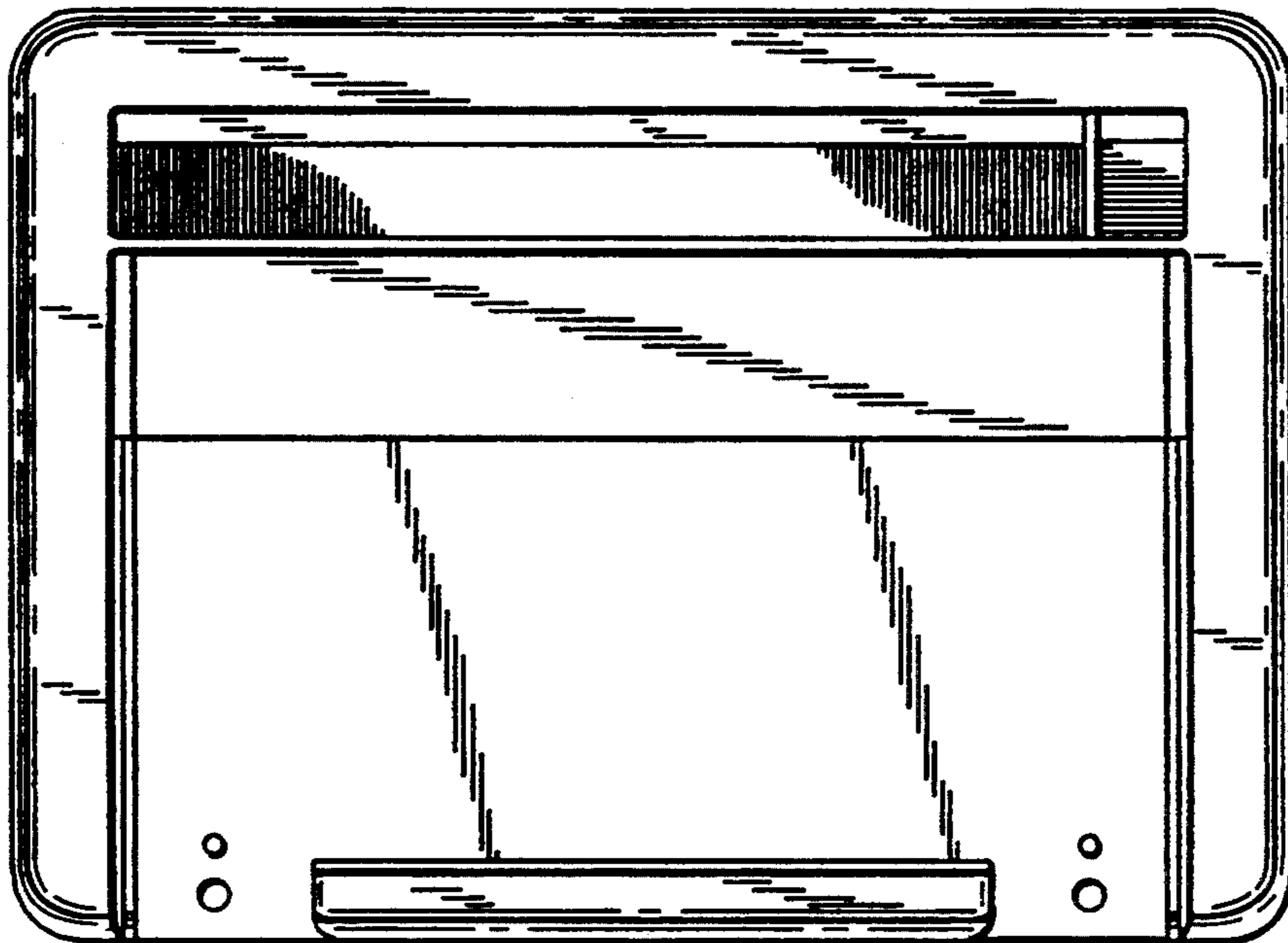


Fig. 4

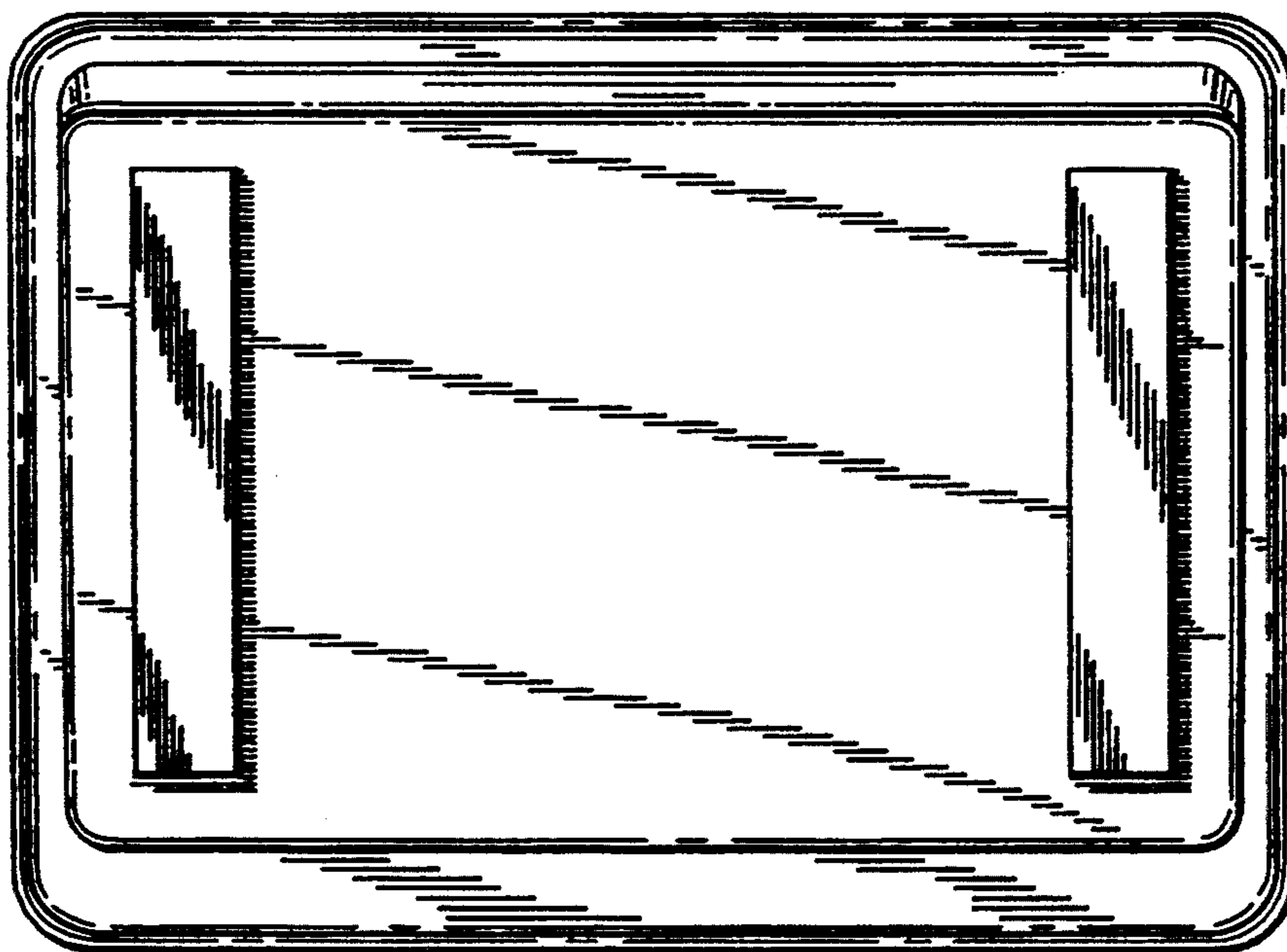


Fig. 5

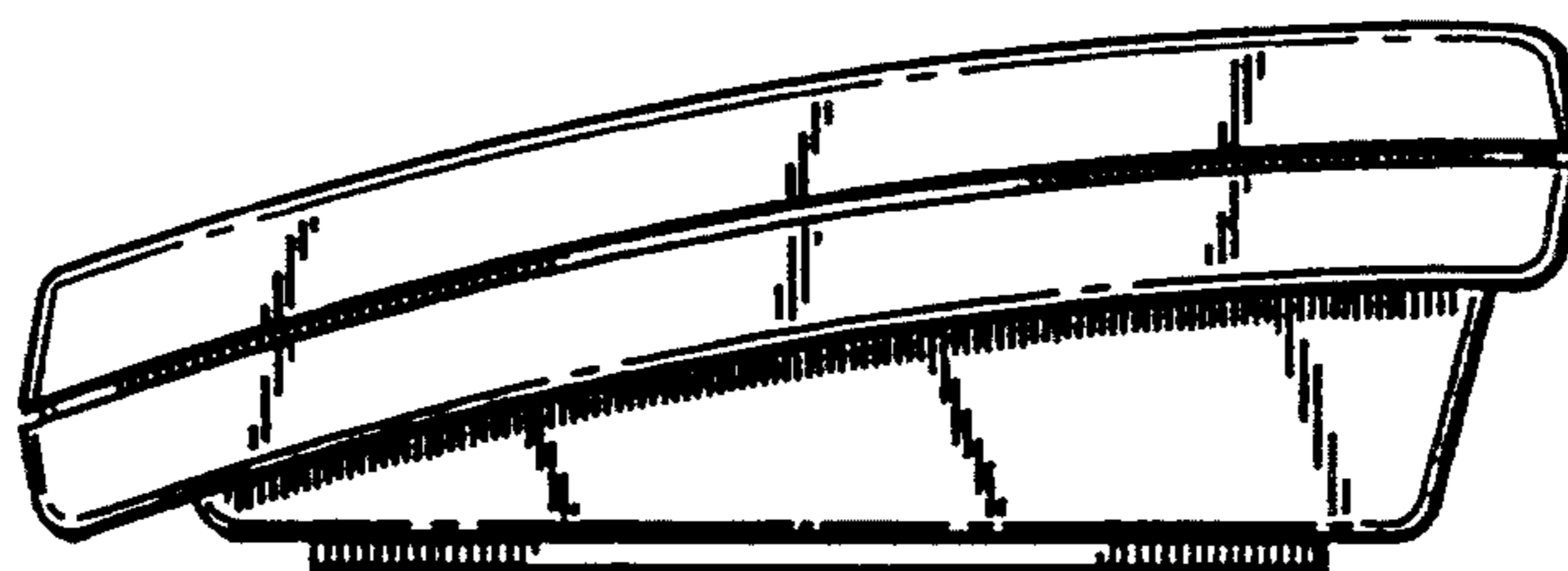


Fig. 6