



US00D358841S

# United States Patent [19]

[11] Patent Number: **Des. 358,841**

Ascone

[45] Date of Patent: **\*\* May 30, 1995**

[54] **ARTIST PALETTE**

3,188,036 6/1965 Sprung ..... 206/1.7 X  
4,901,850 2/1990 McIntosh ..... 206/1.7 X

[76] Inventor: **Teresa Ascone, P.O. Box 241453,  
Anchorage, Ak. 99524-1453**

*Primary Examiner*—Martie Thompson  
*Attorney, Agent, or Firm*—Michael J. Tavella

[\*\*] Term: **14 Years**

[57] **CLAIM**

[21] Appl. No.: **15,597**

The ornamental design for an artist palette, as shown and described.

[22] Filed: **Nov. 22, 1993**

### DESCRIPTION

[52] U.S. Cl. .... **D19/35; D19/75;  
D19/77**

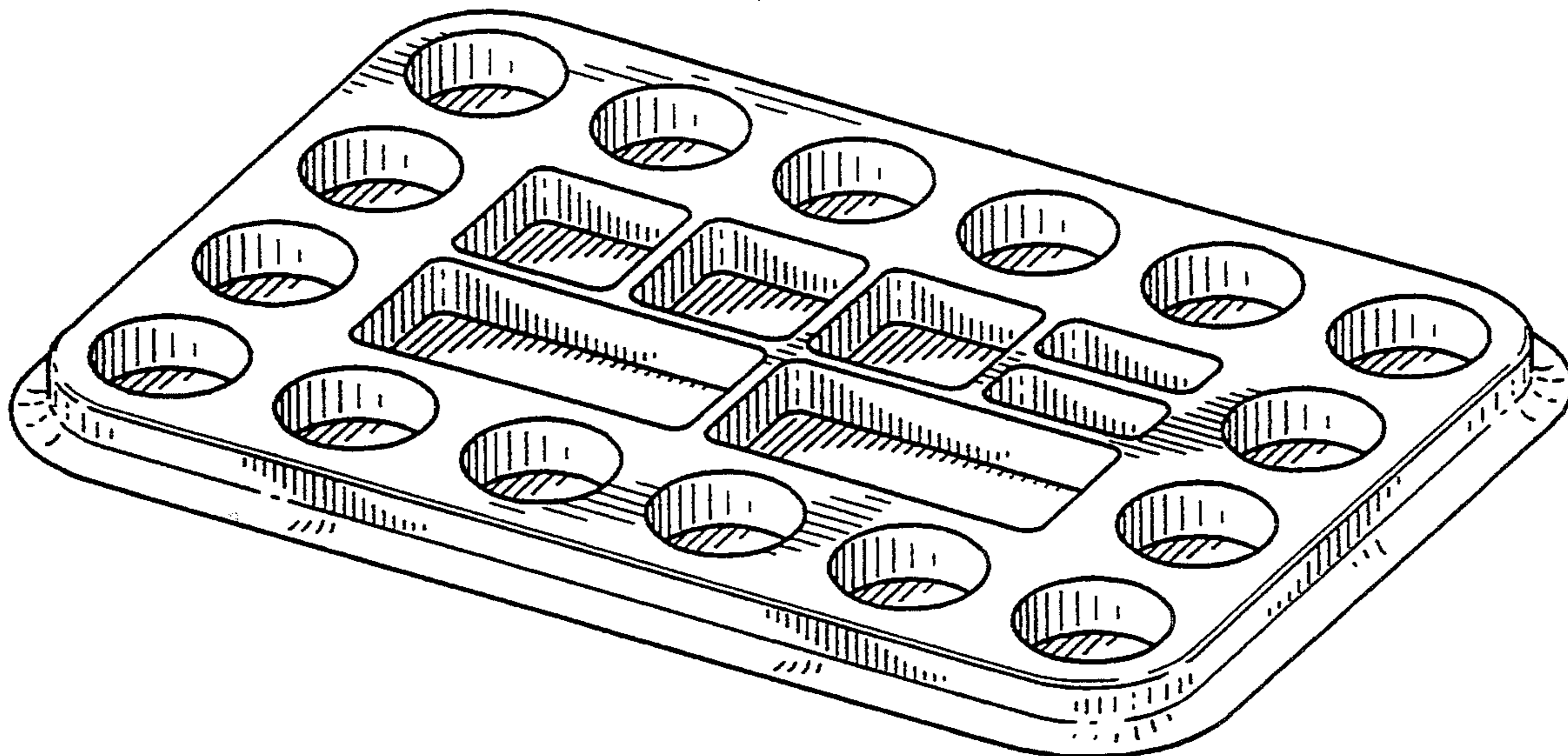
[58] Field of Search ..... **D19/35, 36, 65, 75,  
D19/77, 92, 99, 100; 206/1.7, 1.8, 214, 371, 224;  
D6/455, 457, 461, 467, 476**

FIG. 1 is a top perspective view of an artist palette showing my new design;  
FIG. 2 is a top plan view thereof;  
FIG. 3 is a front elevational view, the rear view being a mirror image thereof;  
FIG. 4 is a side elevational view, the side opposite being a mirror image thereof;  
FIG. 5 is a bottom plan view thereof;  
FIG. 6 is a top perspective view of a second embodiment of my new design;  
FIG. 7 is a top plan view of FIG. 6;  
FIG. 8 is a front elevational view of FIG. 6, the rear view being a mirror image thereof;  
FIG. 9 is a side elevational view of FIG. 6, the opposite side being a mirror image thereof; and,  
FIG. 10 is a bottom plan view of FIG. 6.

[56] **References Cited**

#### U.S. PATENT DOCUMENTS

D. 148,103	12/1947	Crane	.....	D19/35
D. 153,339	4/1949	Deckinger	.....	D19/35
D. 165,128	11/1951	Blacher	.....	D19/35
D. 172,958	9/1954	Ferrucci	.....	D19/35
D. 264,096	4/1982	Jones	.....	D19/35
D. 300,540	4/1989	Salis	.....	D19/35
D. 347,654	6/1994	Koves	.....	D19/35
2,473,532	6/1949	Lazare	.....	206/1.8 X
3,139,208	6/1964	Irwin et al.	.....	206/1.8 X



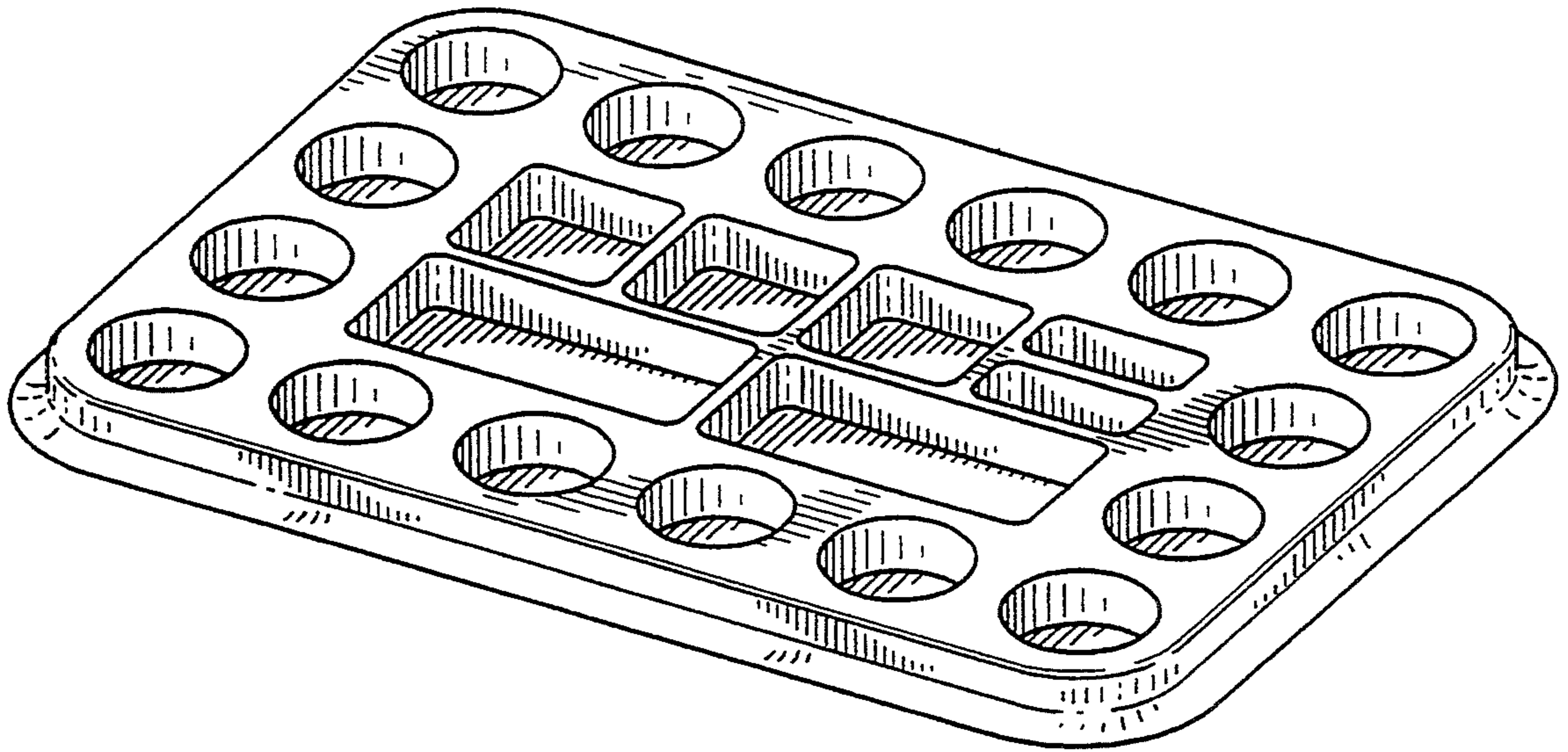


Fig. 1

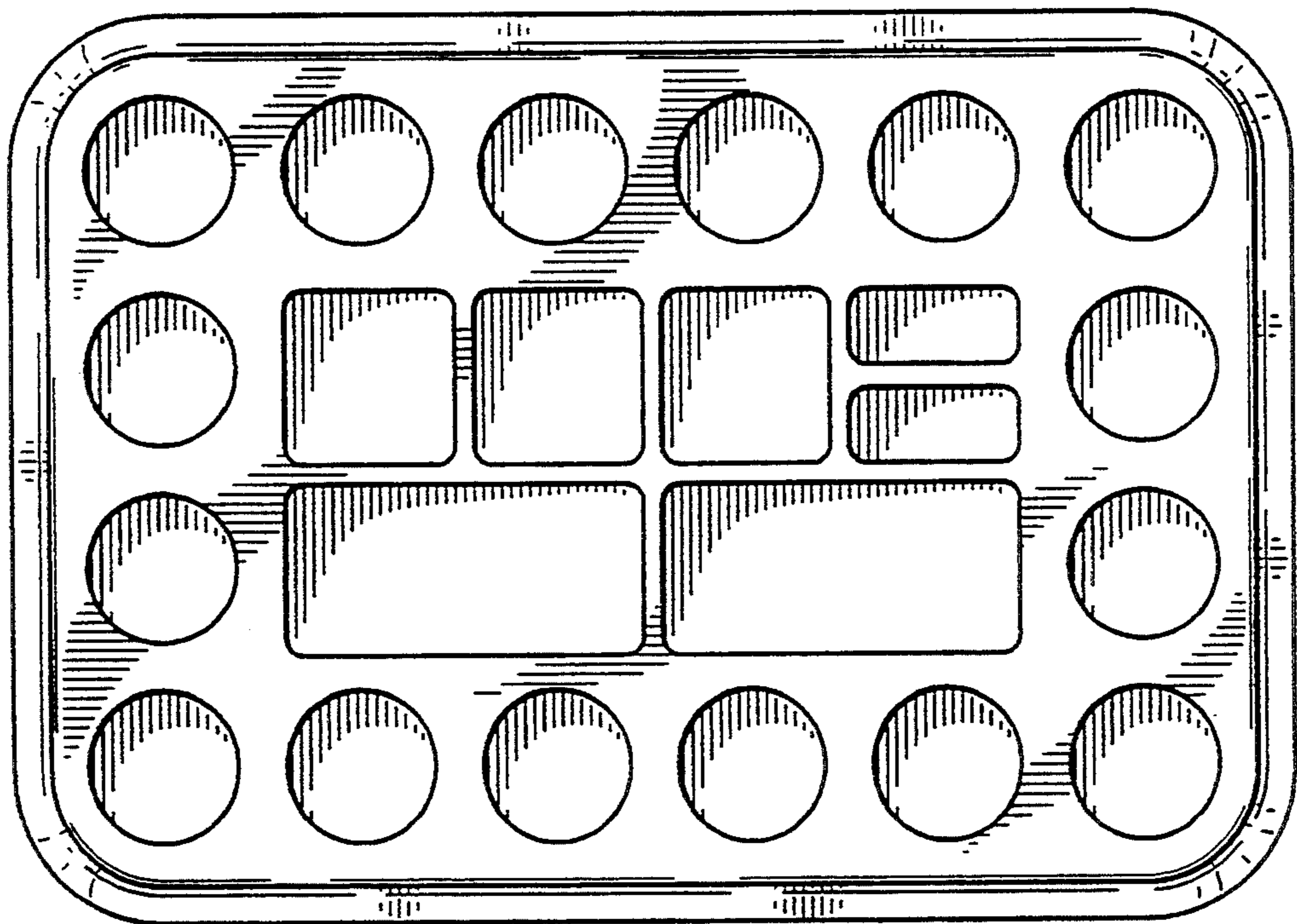


Fig. 2

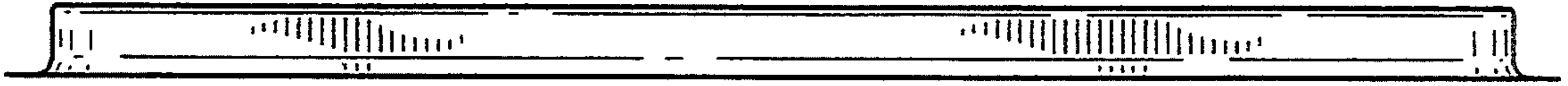


Fig. 3

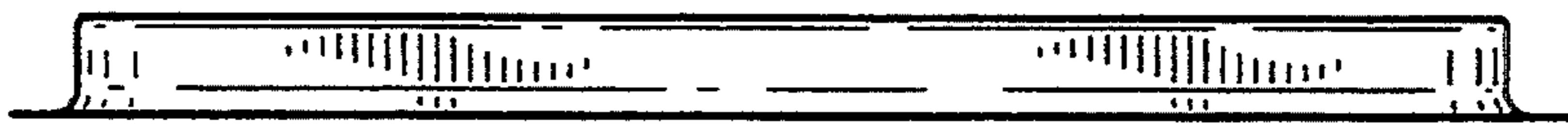


Fig. 4

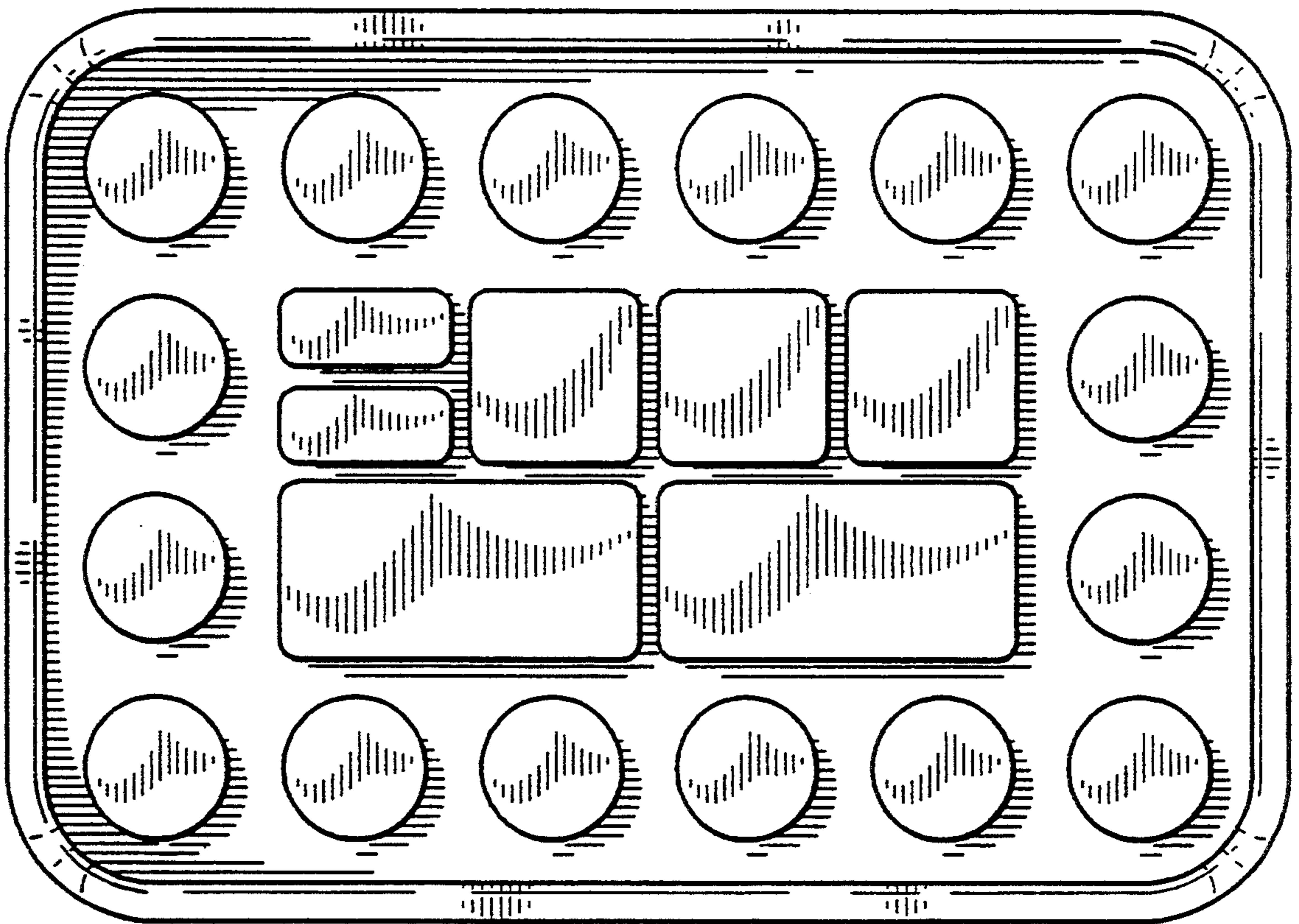


Fig. 5

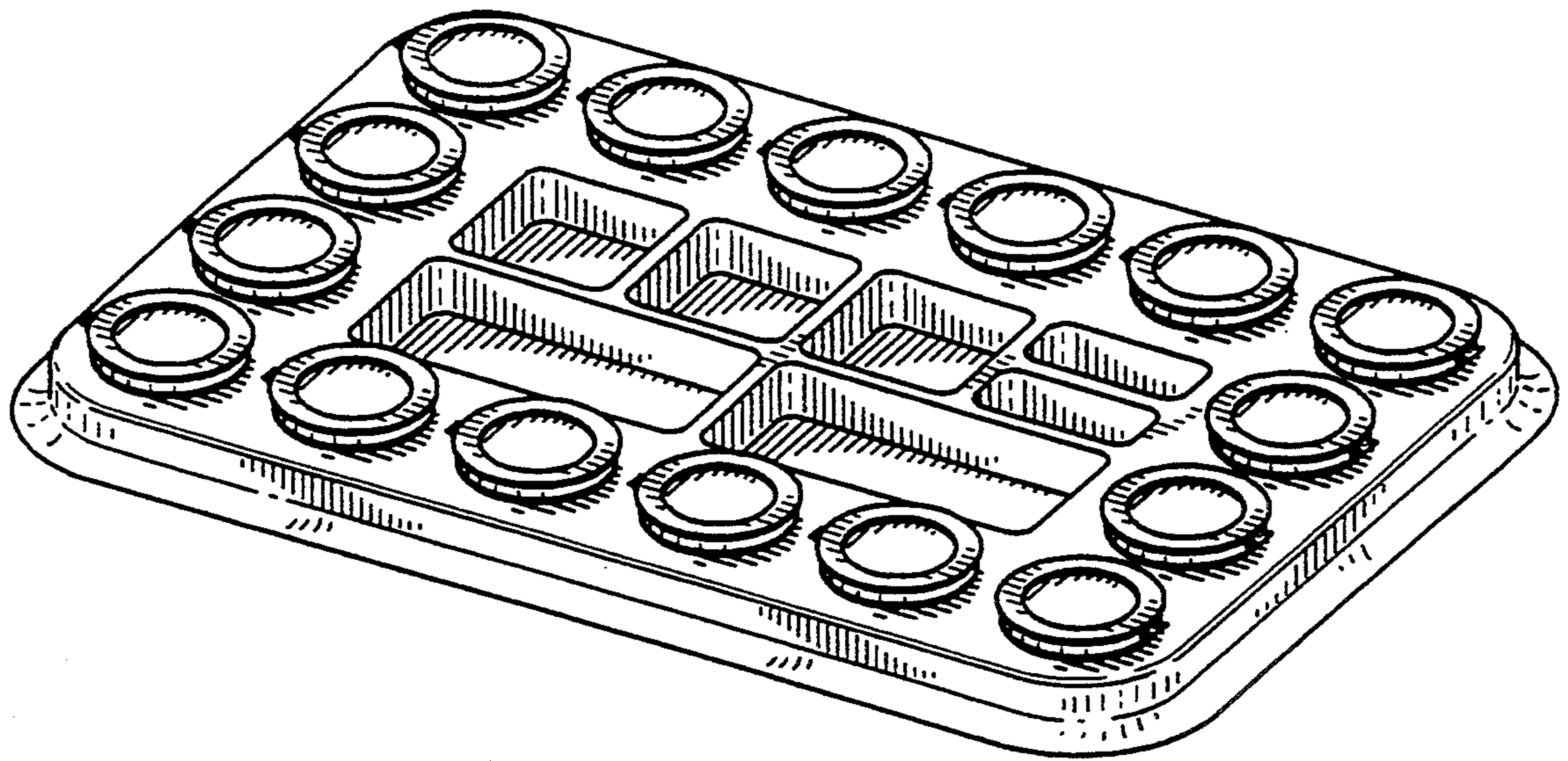


Fig. 6

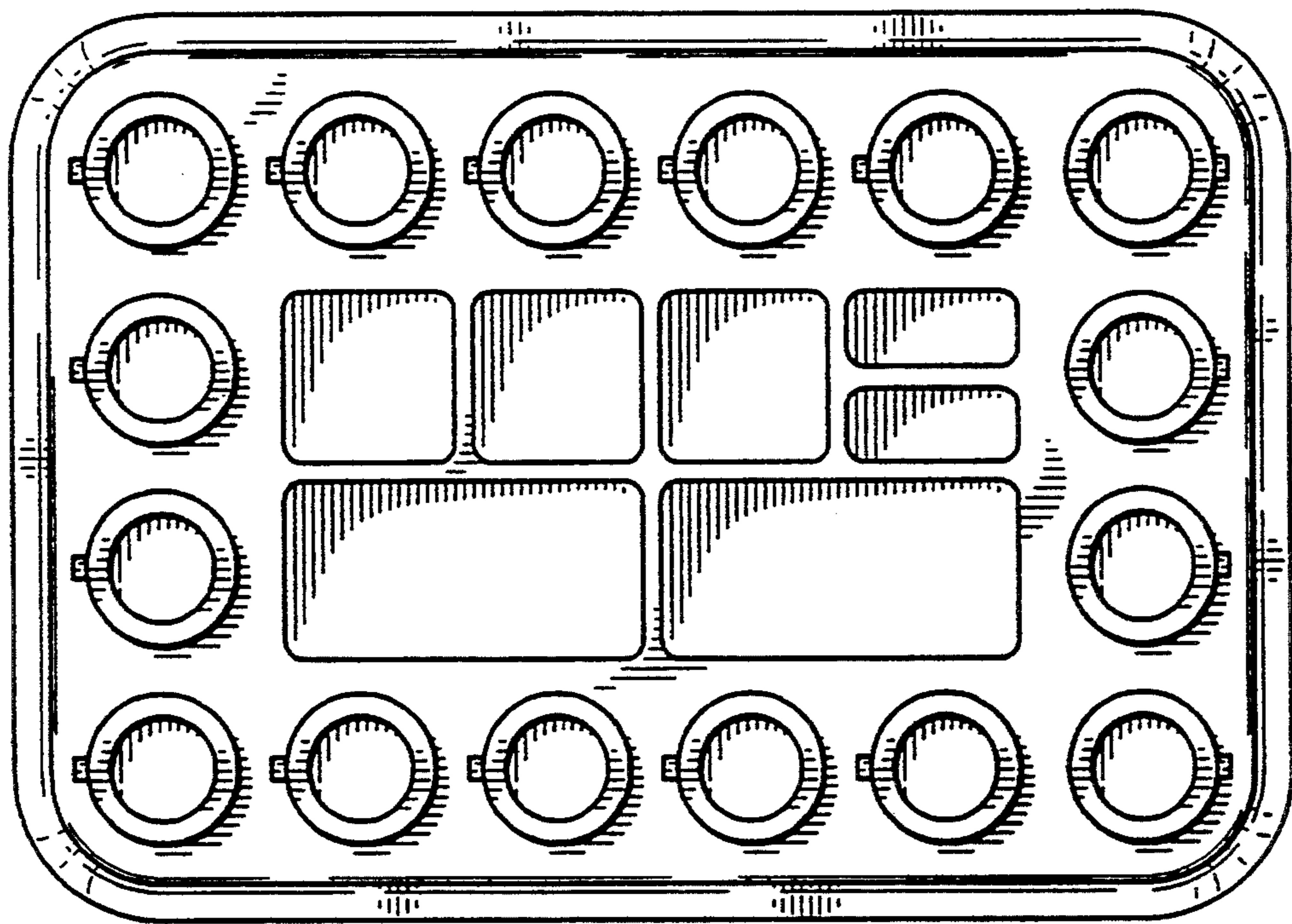


Fig. 7



Fig. 8

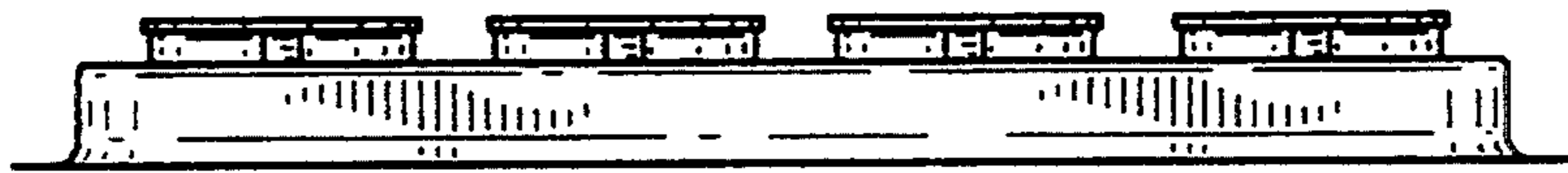


Fig. 9

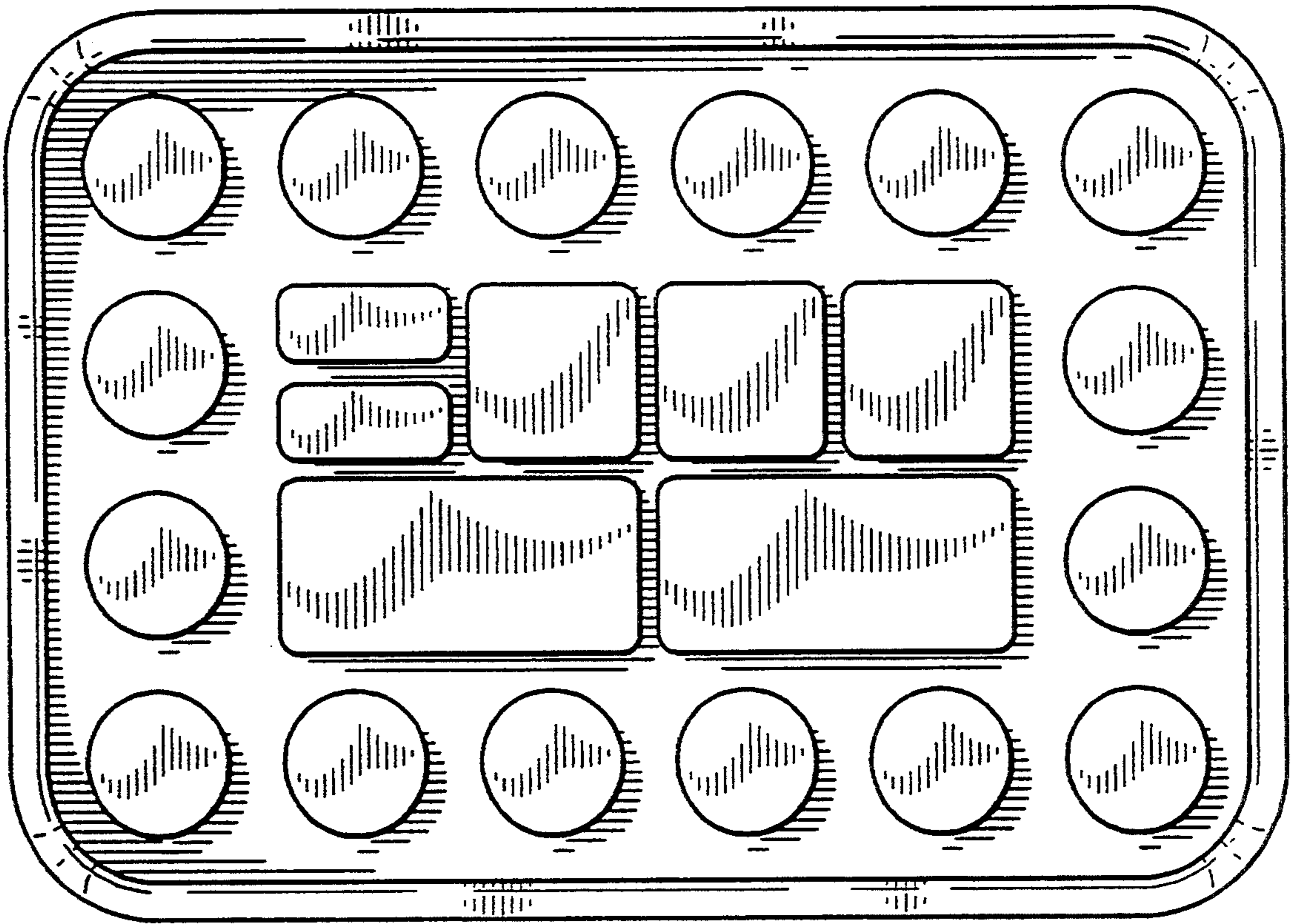


Fig. 10