



US00D358836S

**United States Patent** [19]  
**Yamaguchi et al.**

[11] **Patent Number: Des. 358,836**  
[45] **Date of Patent: \*\* May 30, 1995**

[54] **PRINTER FOR A COMPUTER**

[75] **Inventors: Mahina Yamaguchi, Chiba; Katsumi Kishi, Kanagawa, both of Japan**

[73] **Assignee: Tokyo Electric Co., Ltd., Tokyo, Japan**

[\*\*] **Term: 14 Years**

[21] **Appl. No.: 15,376**

[22] **Filed: Nov. 16, 1993**

[30] **Foreign Application Priority Data**

Jun. 23, 1993 [JP] Japan ..... 5-18934  
[52] **U.S. Cl. .... D18/55**  
[58] **Field of Search ..... D18/50, 53, 54, 55;**  
400/613.1-613.4, 691-694, 690.1-690.4, 613

[56] **References Cited**

**U.S. PATENT DOCUMENTS**

D. 244,964 7/1977 Frick ..... D18/54  
D. 321,709 11/1991 Uchibori et al. .... D18/54  
D. 326,678 6/1992 Uchibori et al. .... D18/55  
D. 333,153 2/1993 Uchibori et al. .... D18/55  
3,825,727 7/1974 Sarcia ..... D18/50

**FOREIGN PATENT DOCUMENTS**

753242 12/1988 Japan ..... D18/D18 50  
753604 12/1988 Japan ..... D18/D18 50

**OTHER PUBLICATIONS**

Seiko Instruments Professional Color Point PSH Printer brochure; ©1993; Cover photograph.  
Tektronix Color Printer brochure; Phaser™ IIsd.  
OFISfax Burroughs brochure; Mar. 1982; dex 3600.

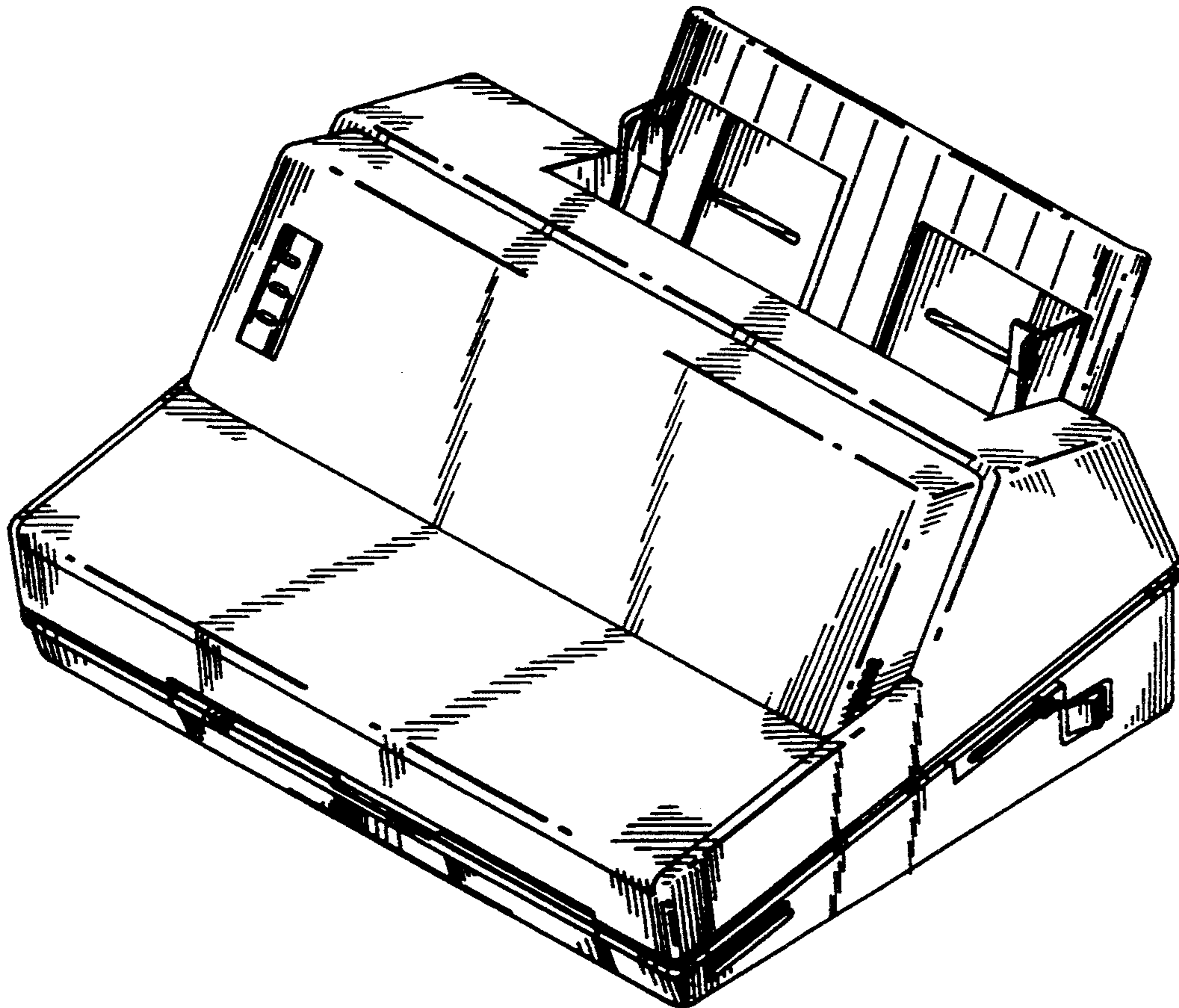
*Primary Examiner*—Cathy Anne MacCormac  
*Attorney, Agent, or Firm*—Oblon, Spivak, McClelland, Maier, & Neustadt

[57] **CLAIM**

The ornamental design for a printer for a computer, as shown and described.

**DESCRIPTION**

FIG. 1 is a top, right and front perspective view of a printer for a computer, showing our design;  
FIG. 2 is a front elevational view thereof;  
FIG. 3 is a rear elevational view thereof;  
FIG. 4 is a top plan view thereof;  
FIG. 5 is a bottom view thereof;  
FIG. 6 is a right side elevational view thereof;  
FIG. 7 is a left side elevational view thereof; and,  
FIG. 8 is a sectional view thereof taken along line 8—8 of FIG. 2.



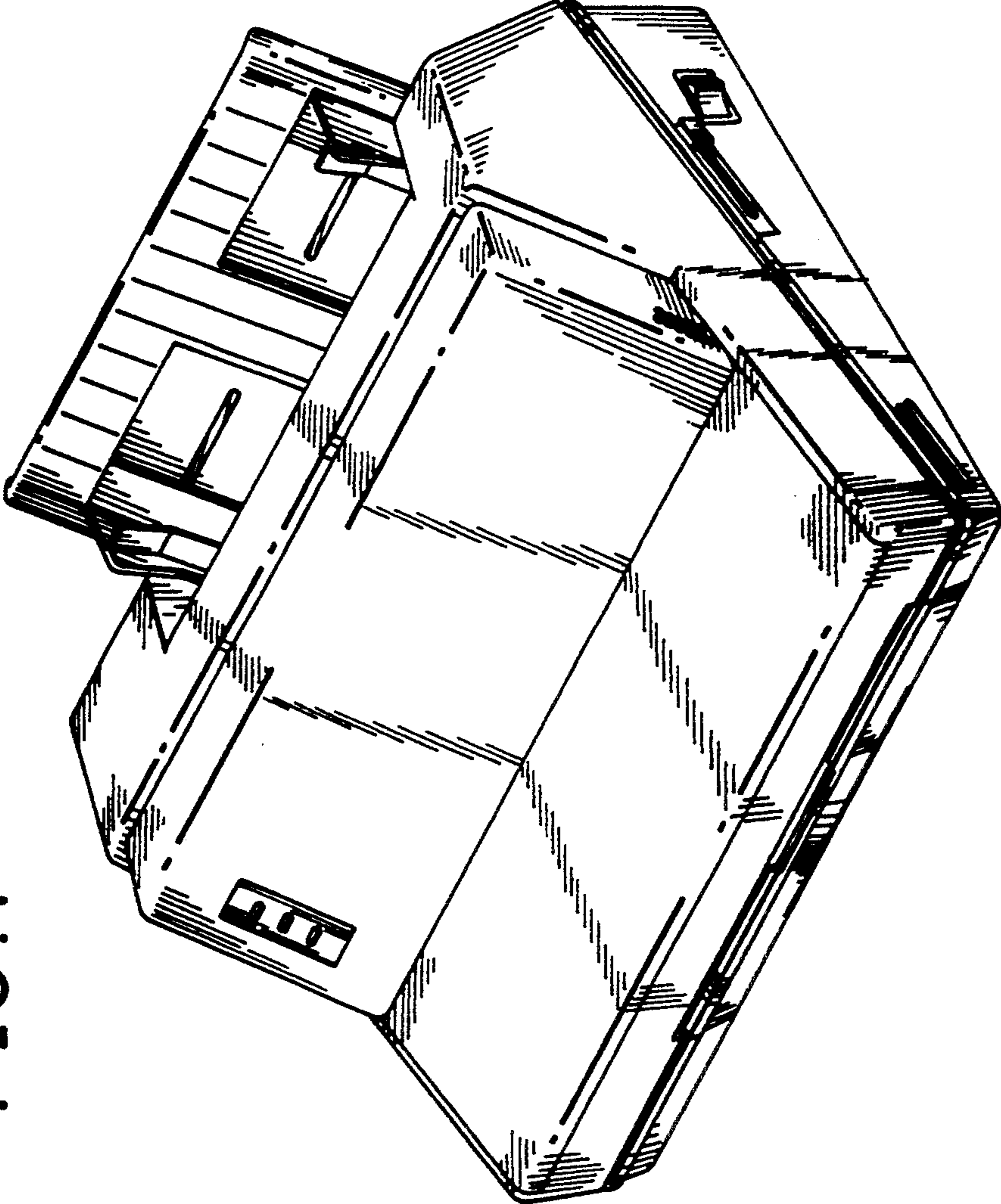


FIG. 1

FIG. 2

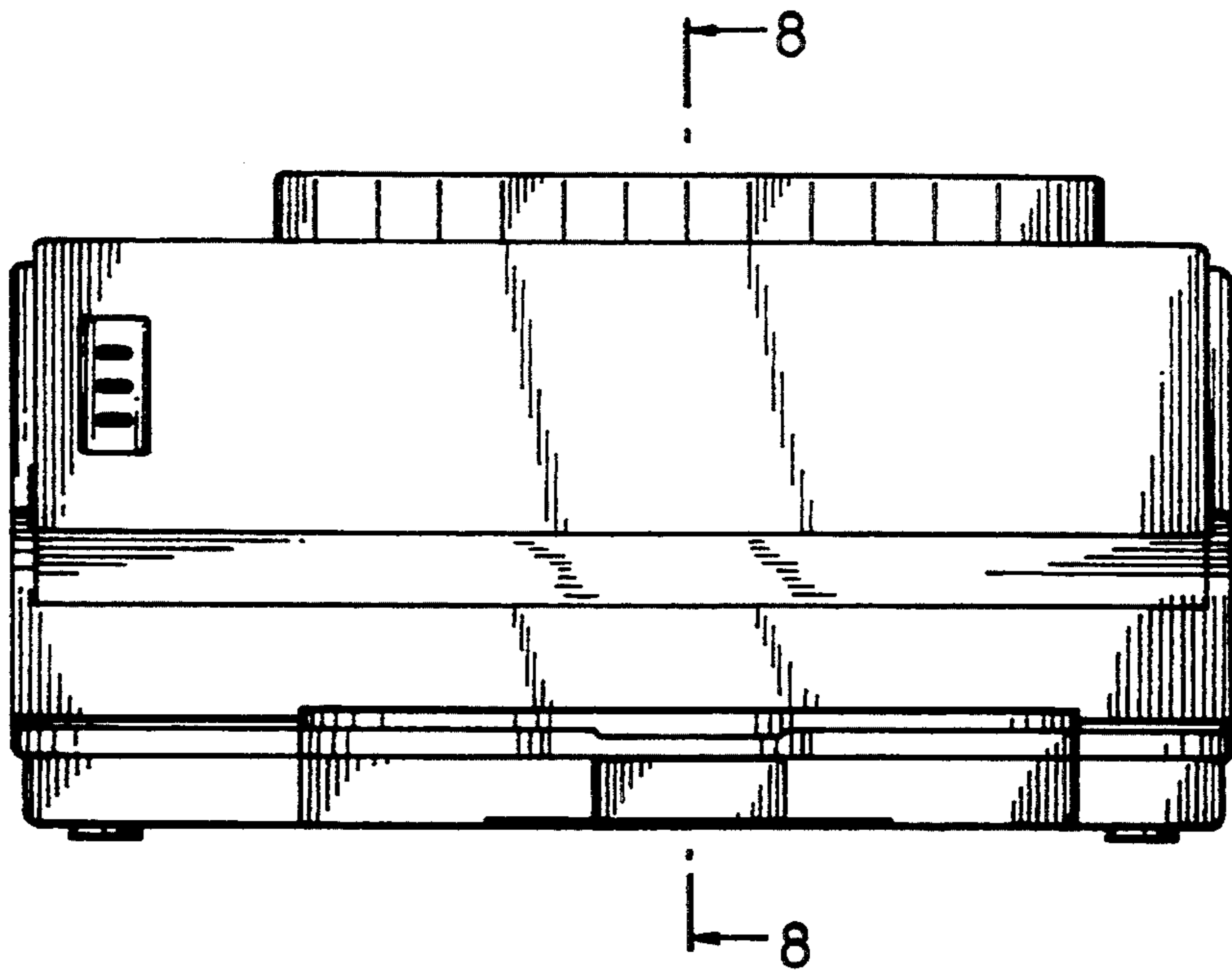


FIG. 3

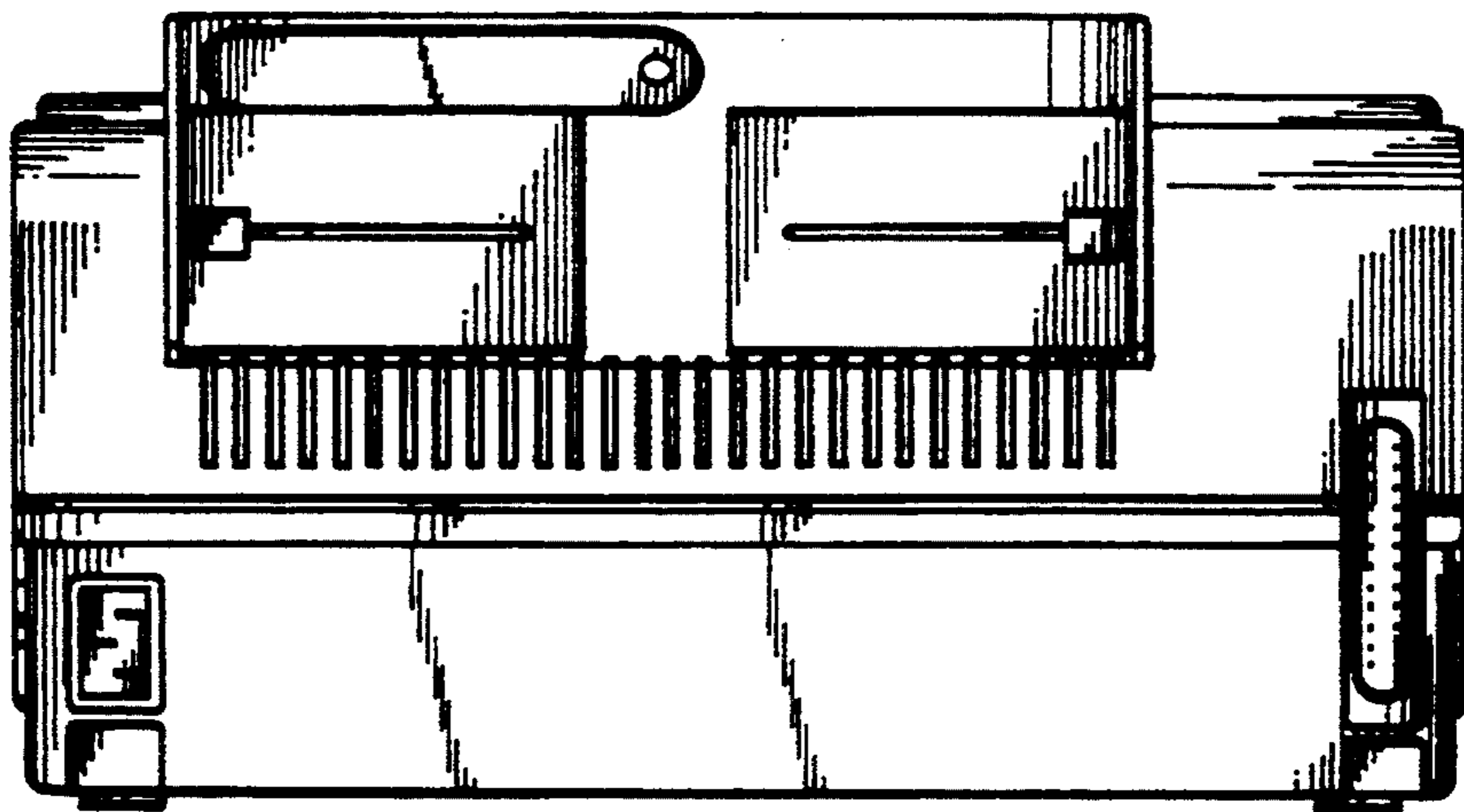




FIG. 4

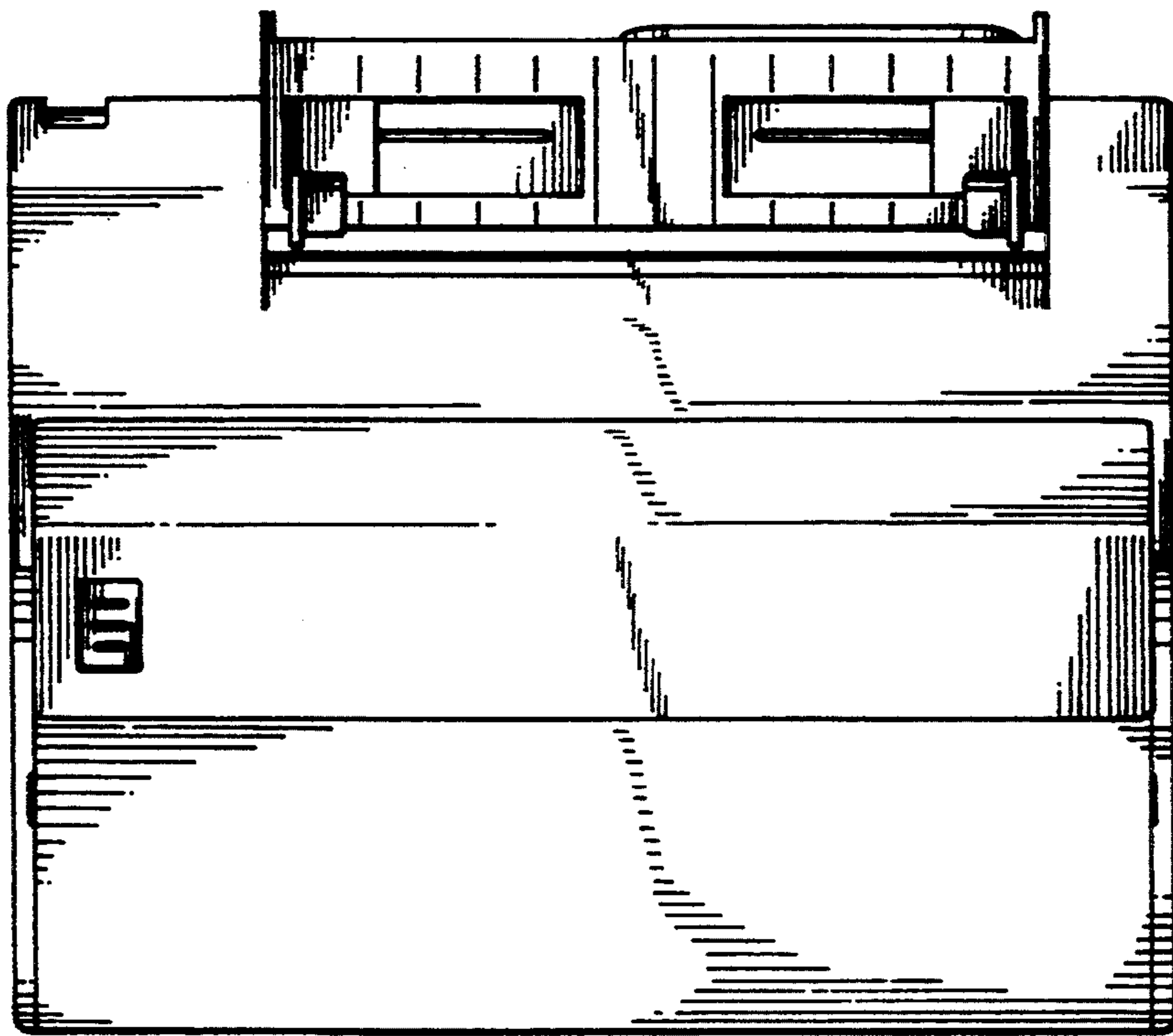


FIG. 5

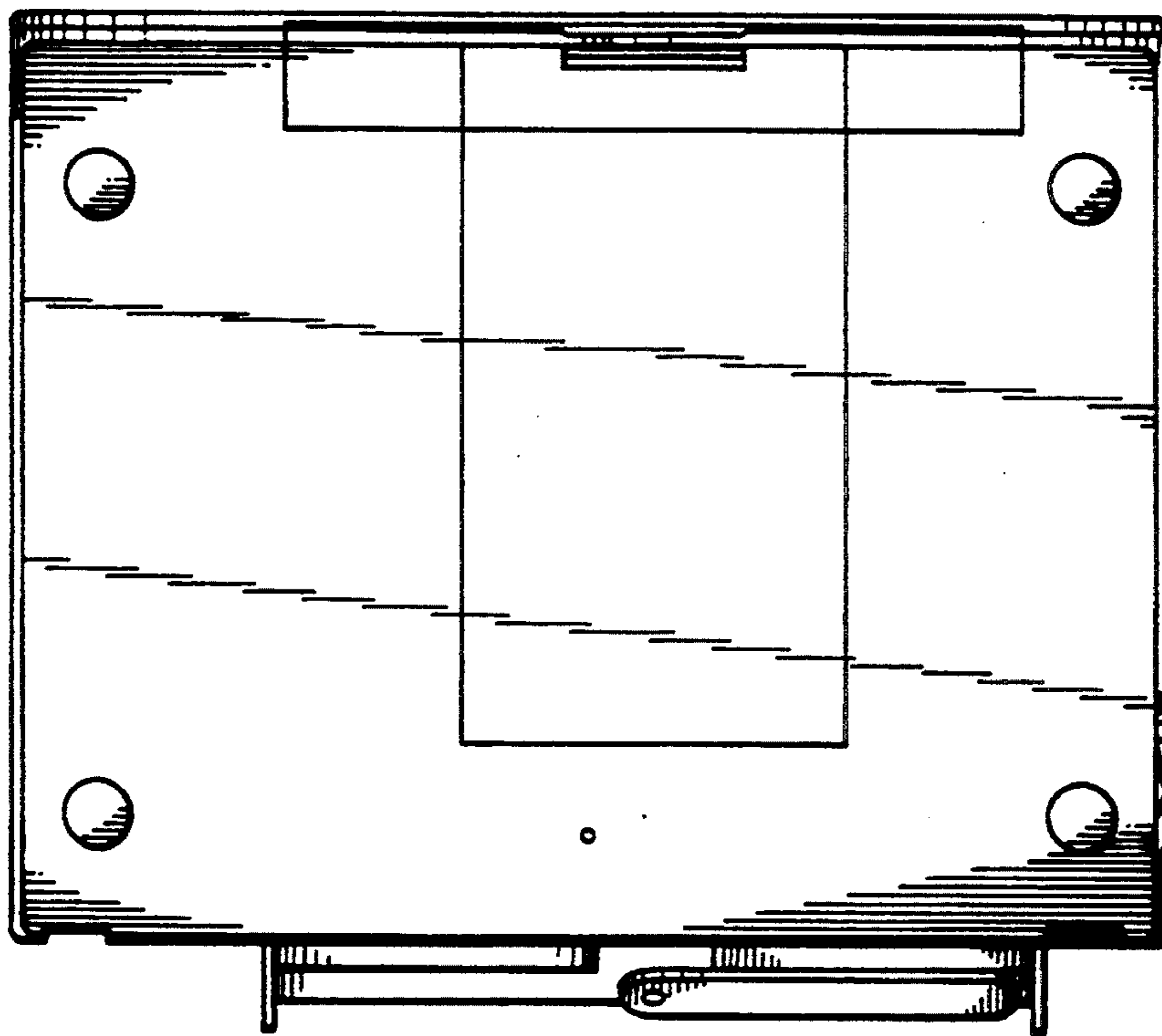


FIG. 6

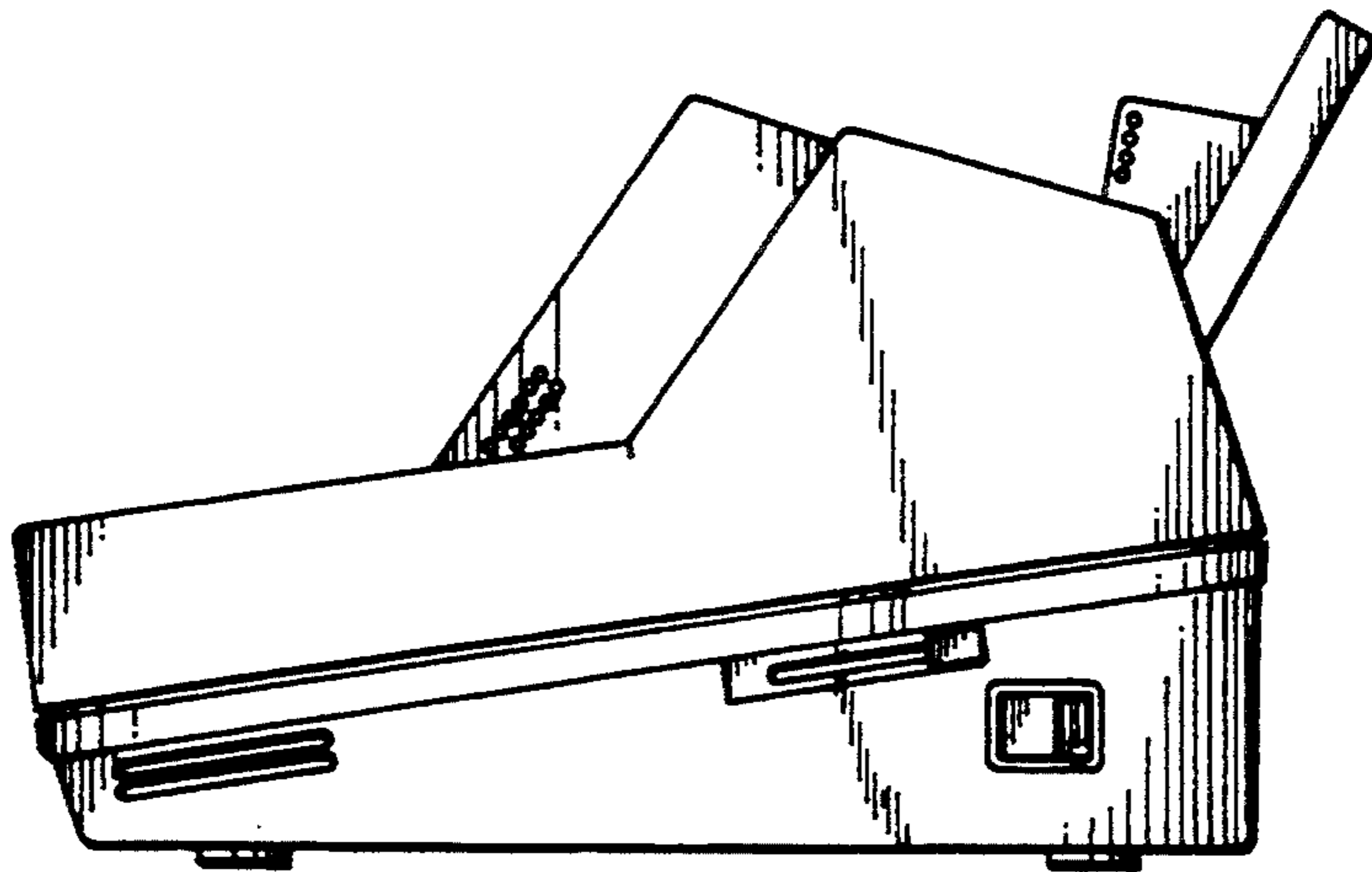


FIG. 7

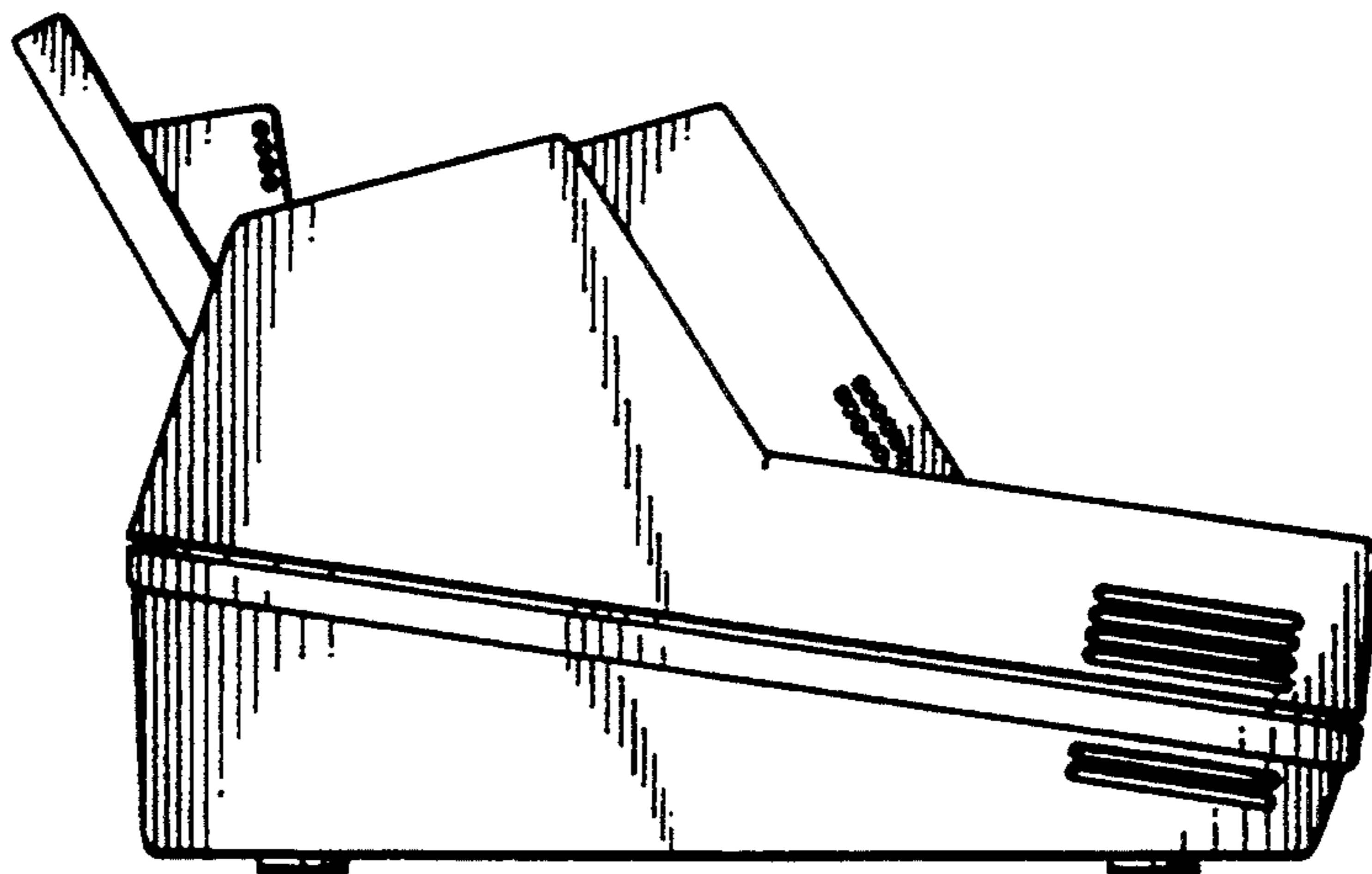


FIG. 8

