



US00D358834S

# United States Patent [19]

[11] Patent Number: **Des. 358,834**

Cox

[45] Date of Patent: **\*\* May 30, 1995**

[54] **COMBINED DOCUMENT PUNCHING AND BINDING MACHINE**

5,211,522 5/1993 Ho ..... 412/16

[75] Inventor: **Scott Cox, Warwick, United Kingdom**

### FOREIGN PATENT DOCUMENTS

3702529 6/1988 Germany ..... 412/900

[73] Assignee: **ACCO-Rexel Group Services, Plc, United Kingdom**

### OTHER PUBLICATIONS

[\*\*] Term: **14 Years**

Insert in Lithowee Magazine; Oct. 1987; ibico office Binder Brochure.

[21] Appl. No.: **4,665**

General Binding Corporation advertisement in Book Production Industry; Jul. 1968.

[22] Filed: **Feb. 10, 1993**

*Primary Examiner*—Cathy Anne MacCormac  
*Attorney, Agent, or Firm*—Kirschstein, Ottinger, Israel & Schiffmiller

### [30] Foreign Application Priority Data

Aug. 11, 1992 [GB] United Kingdom ..... 2024919

Aug. 11, 1992 [GB] United Kingdom ..... 2024920

[52] U.S. Cl. .... **D18/34**

[58] Field of Search ..... D18/34; 412/16, 39-40, 412/900, 37; 156/908

### [57] CLAIM

The ornamental design for a combined document punching and binding machine, as shown.

### DESCRIPTION

### [56] References Cited

#### U.S. PATENT DOCUMENTS

D. 192,265	2/1962	Crowle	.....	D18/34
D. 246,204	10/1977	Balmer et al.	.....	D18/34
D. 261,530	10/1981	Hausmann	.....	D18/34
D. 284,870	7/1986	Terracciano	.....	D18/34
D. 320,040	9/1991	Miles et al.	.....	D18/34
1,346,179	7/1920	Crippen	.....	D18/34
4,986,713	1/1991	Zoltner et al.	.....	D18/34

FIG. 1 is a perspective view taken from the front, side and top of a combined document punching and binding machine showing my new design;

FIG. 2 is a left side elevational view thereof;

FIG. 3 is a top plan view thereof;

FIG. 4 is a right side elevational view thereof;

FIG. 5 is a front elevational view thereof;

FIG. 6 is a rear elevational view thereof; and,

FIG. 7 is a bottom plan view thereof.

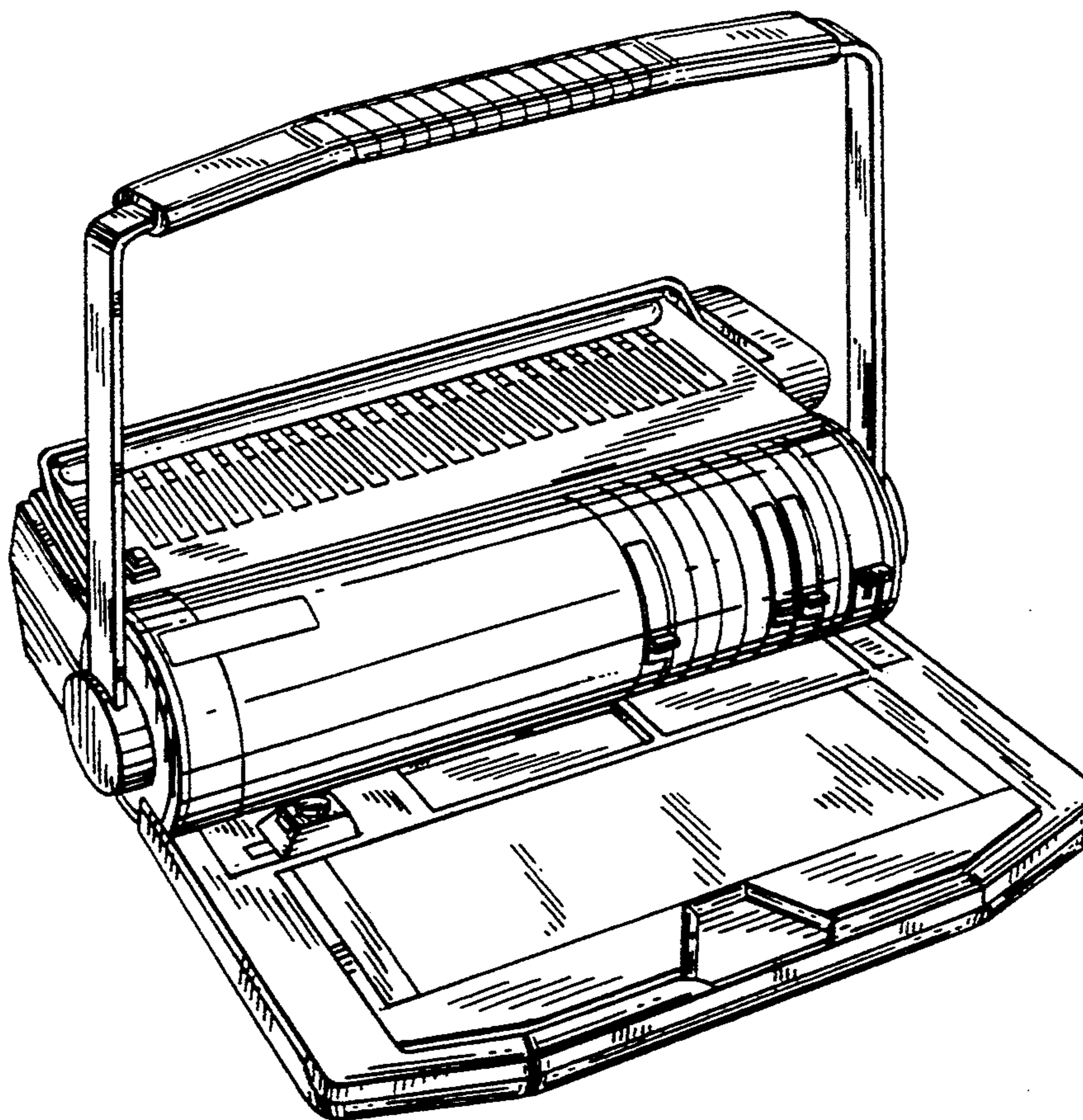
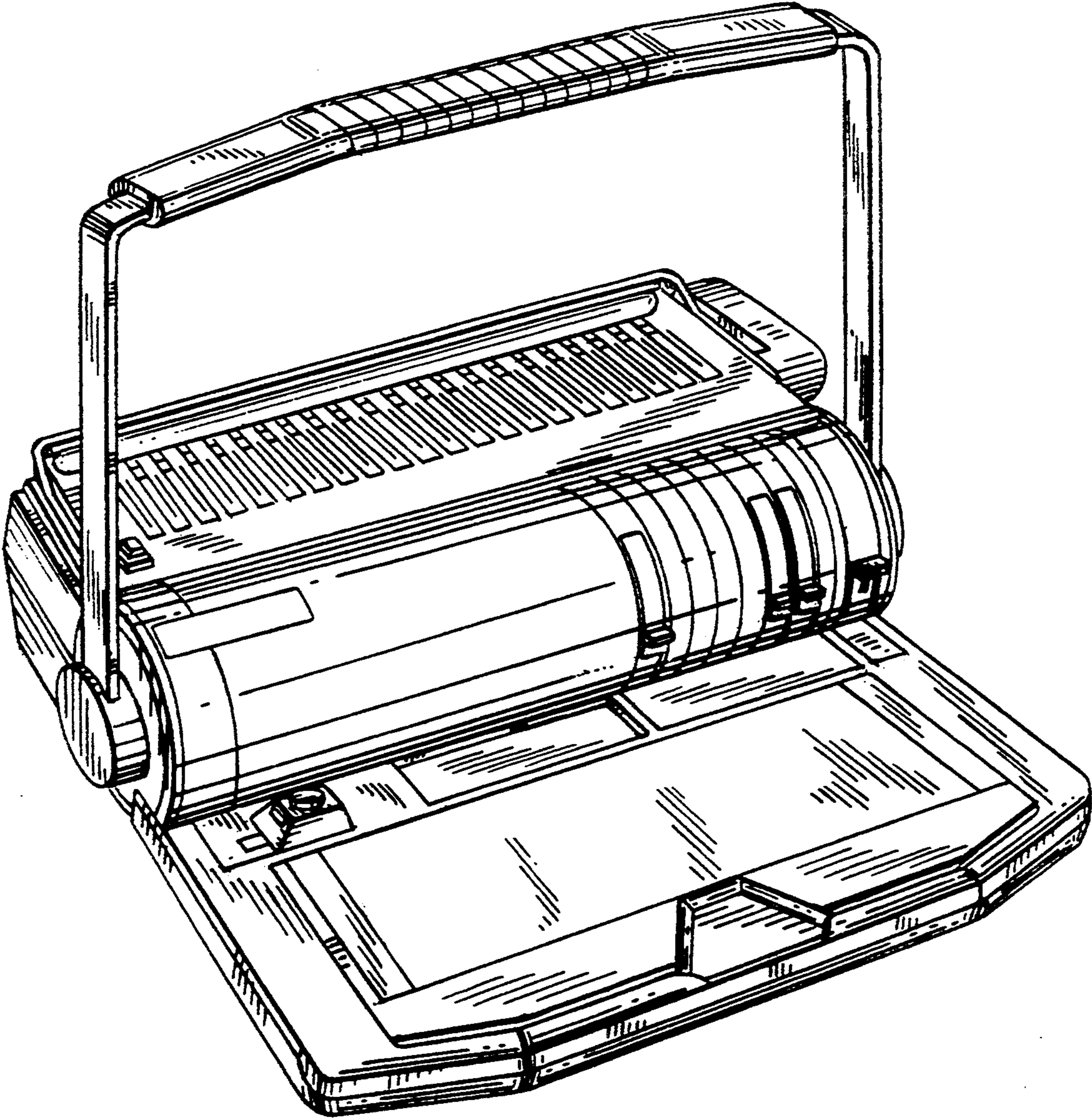
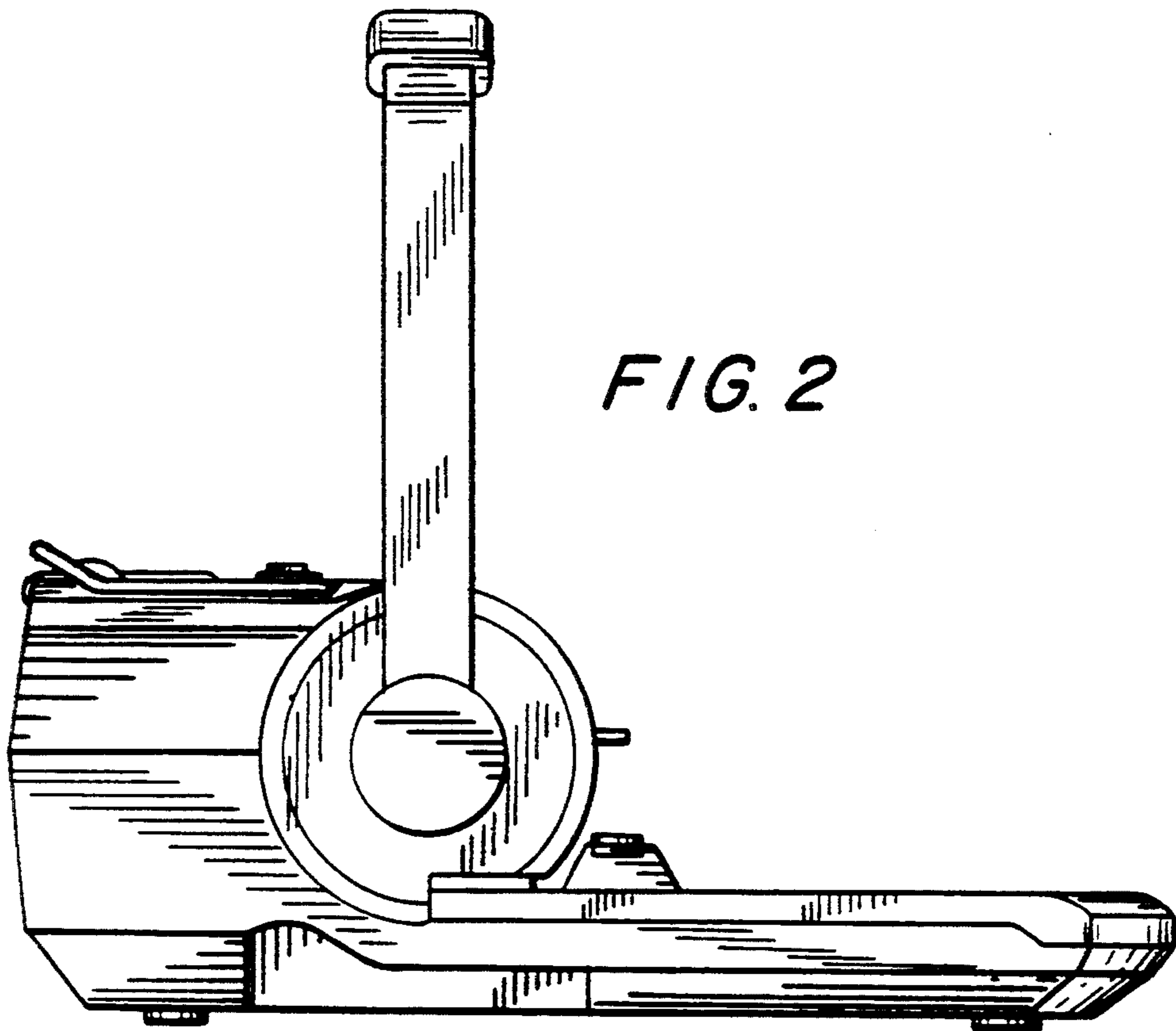


FIG. 1





*FIG. 2*

*FIG. 3*

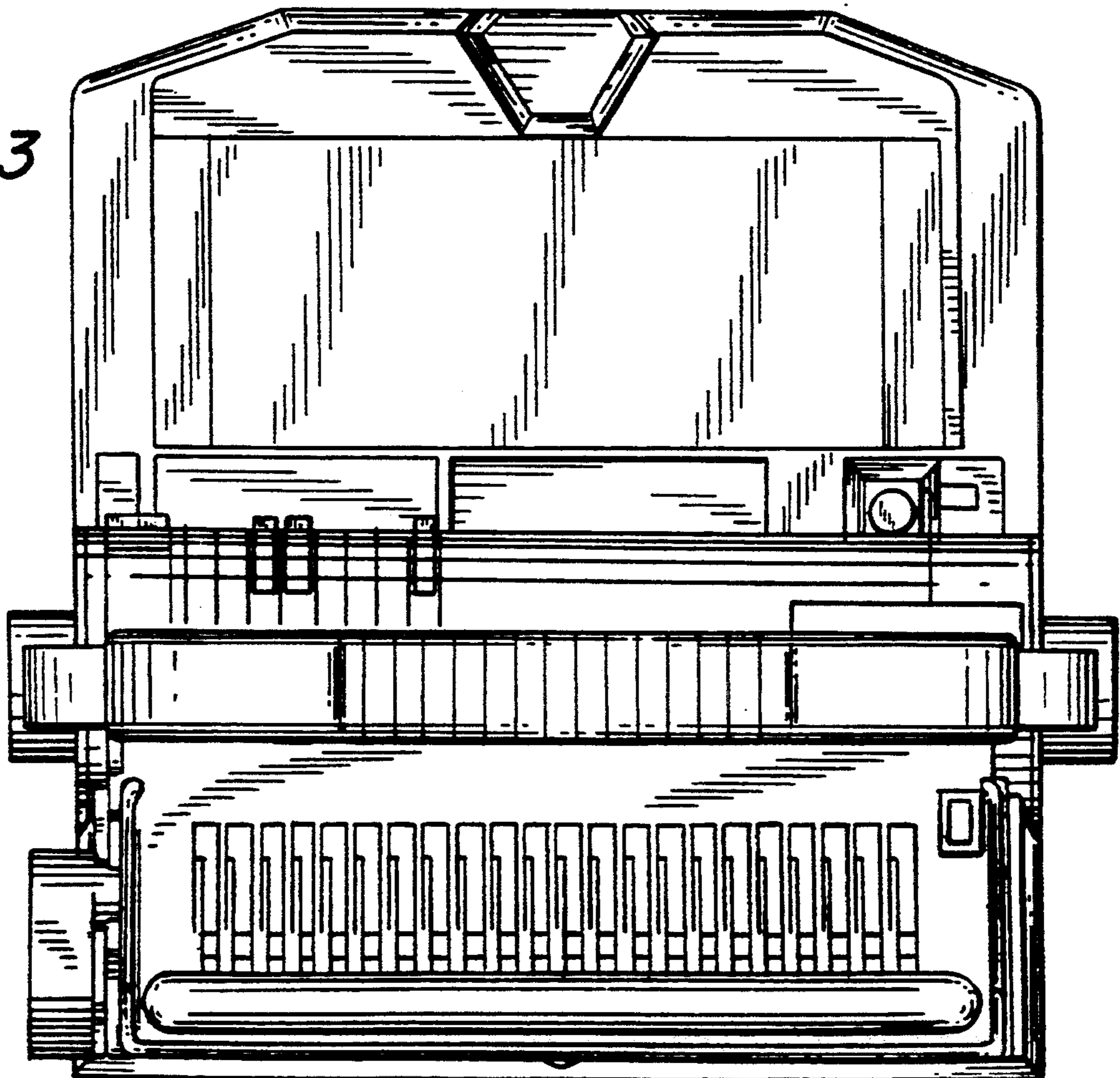


FIG. 4

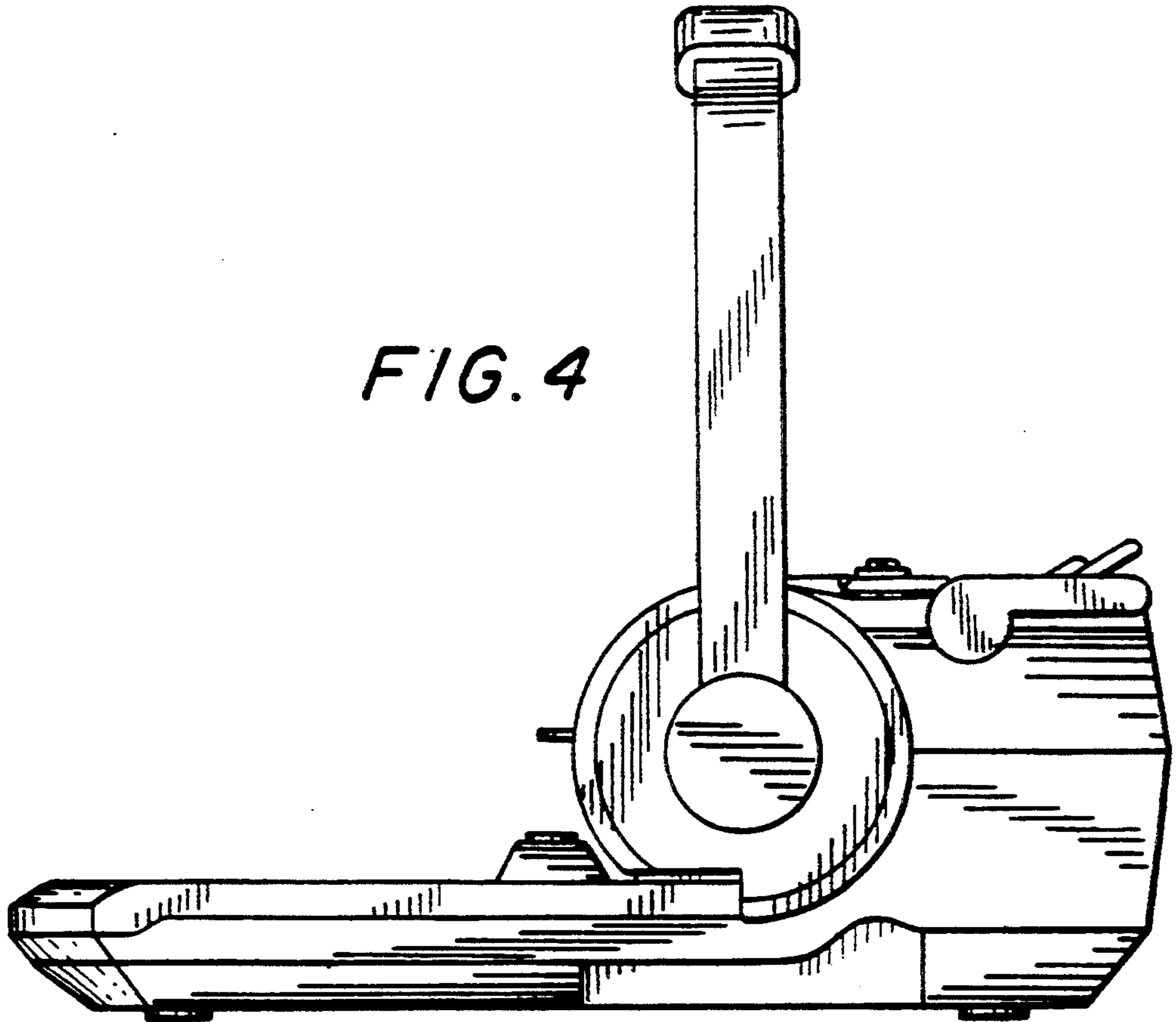


FIG. 5

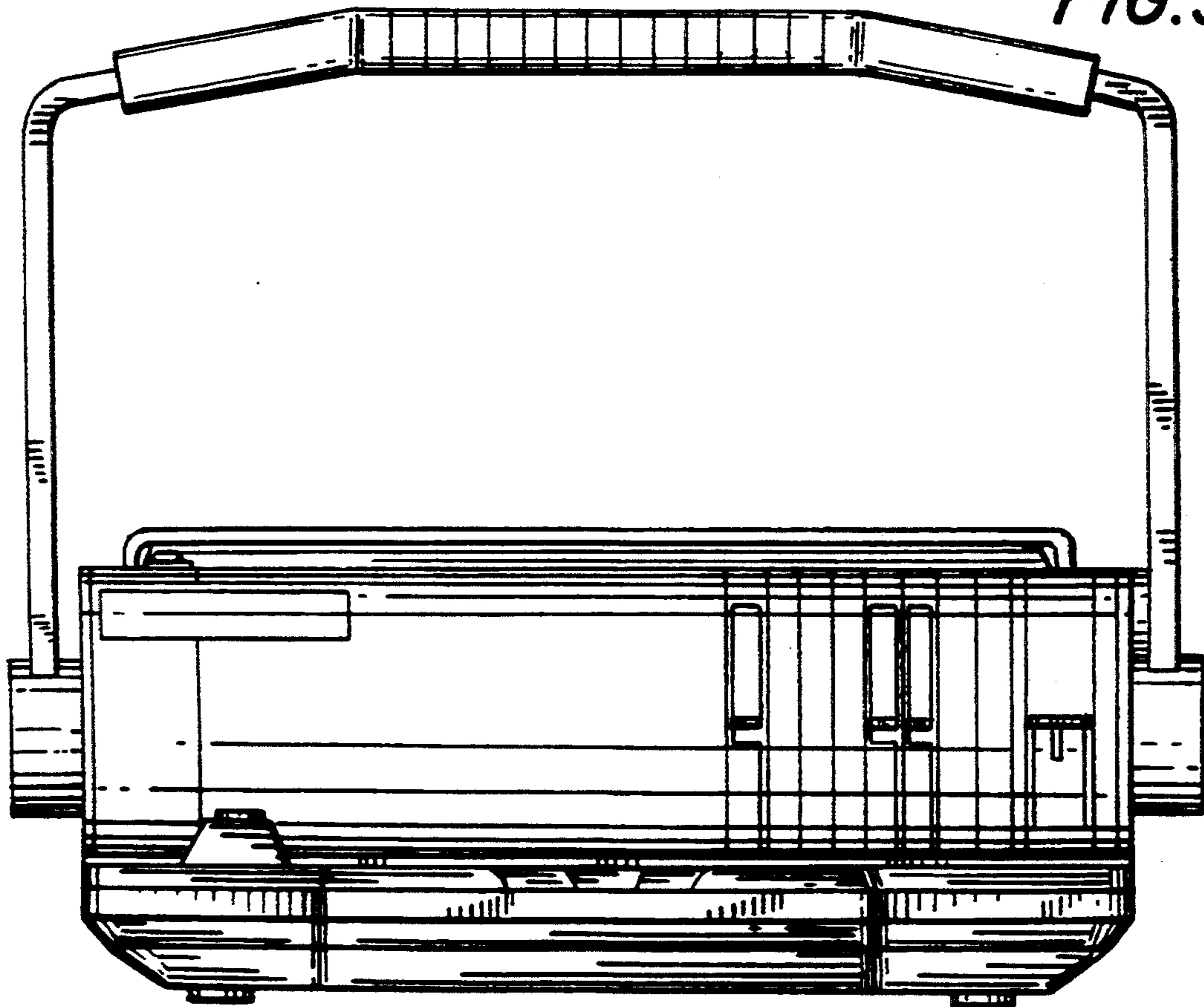


FIG. 6

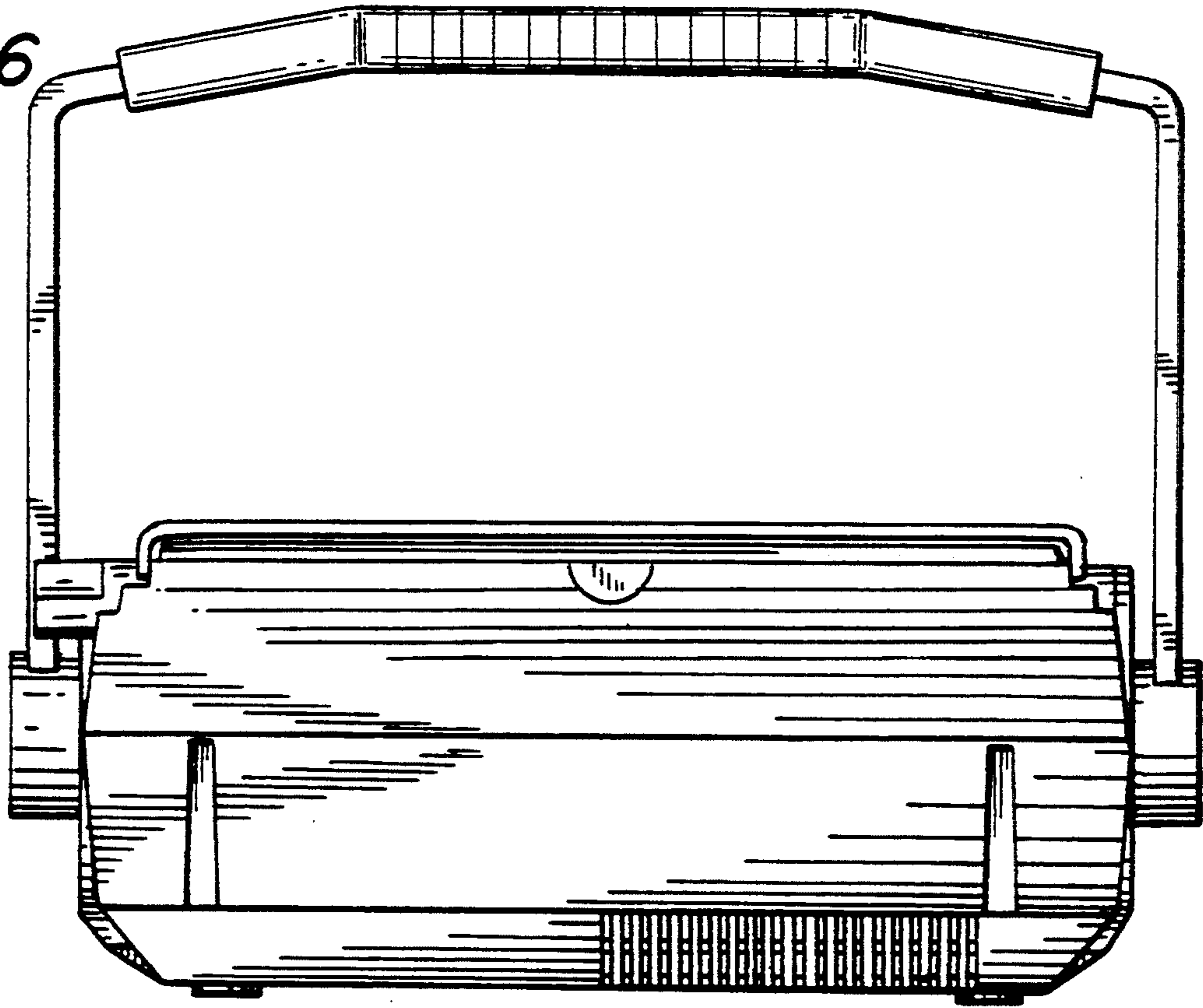


FIG. 7

