



US00D358832S

United States Patent [19]

[11] Patent Number: Des. 358,832

Lenney et al.

[45] Date of Patent: ** May 30, 1995

[54] CAMERA SUPPORT AND STABILIZING SYSTEM

[75] Inventors: **Joseph P. Lenney; Edward B. Robinson, Jr.**, both of San Francisco; **Donald E. Wetzel**, Arcadia; **James M. Bartell**, Long Beach, all of Calif.; **Garrett W. Brown**, 515 Addison Ct., Philadelphia, Pa. 19147

[73] Assignee: **Garrett W. Brown**, Philadelphia, Pa.

[**] Term: **14 Years**

[21] Appl. No.: **20,119**

[22] Filed: **Mar. 18, 1994**

[52] U.S. Cl. **D16/242**

[58] Field of Search **D16/242, 243-245; 224/265, 270, 908; 248/123.1, 162.1, 183, 185, 186, 187; 352/243; 354/81, 82, 293**

[56] References Cited

U.S. PATENT DOCUMENTS

D. 230,083	1/1974	Adams	D16/243
D. 329,449	9/1992	Brown et al.	D16/243
2,763,456	9/1956	Breer	248/186
4,017,168	4/1977	Brown	352/243
4,474,439	10/1984	Brown	352/243

OTHER PUBLICATIONS

Brochure of Cinema Products Corp. entitled "Steadicam Model IIIA" (4 pages) (no date).

Brochure of Cinema Products Corp. entitled "Steadicam EFP" (4 pages) (1990).

Brochure of Cinema Products Corp. entitled "Kids Move. Brides Move. The Earth Moves. Dogs Move. Clouds Move. Elephants Move. Skaters Move. Race Cars Move. Gondolas Move. Glaciers Move. Bicycles Move. Footballs Move.: Steadicam JR" (1992).

HFD, Dec. 26, 1988 p. 74 (Cam Support).

Primary Examiner—Terry A. Wallace

Assistant Examiner—Adir Aronovich

Attorney, Agent, or Firm—Nilsson, Wurst & Green

[57] CLAIM

The ornamental design of a camera support and stabilizing system, as shown and described.

DESCRIPTION

FIG. 1 is a top, rear and left side perspective view of an camera support and stabilizing system showing our new design;

FIG. 2 is a top, front and right side perspective view thereof;

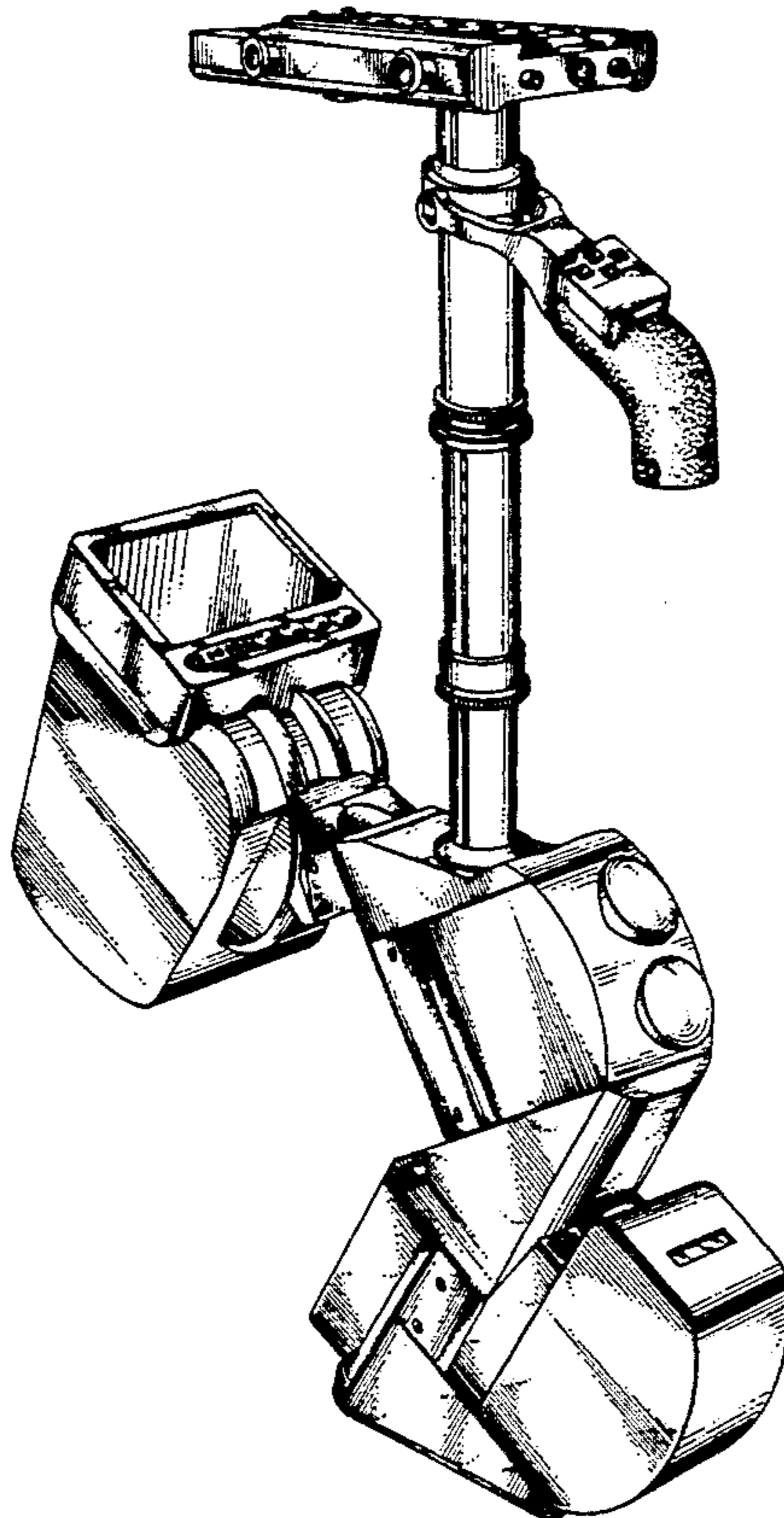
FIG. 3 is a left side elevational view thereof, the right side being the mirror image of that shown;

FIG. 4 is a rear elevational view thereof;

FIG. 5 is a front elevational view thereof;

FIG. 6 is a top plan view thereof; and,

FIG. 7 is a bottom plan view thereof.



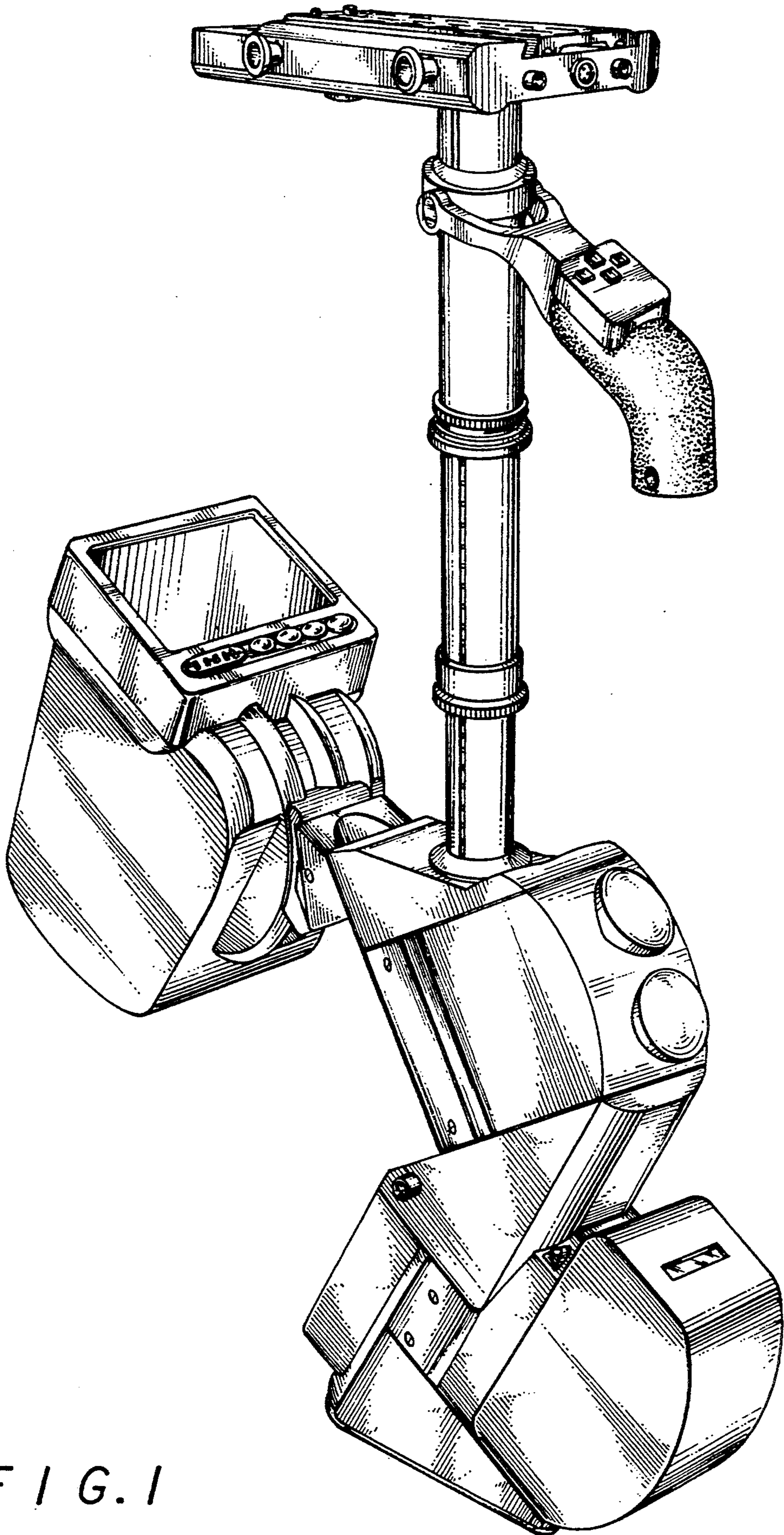


FIG. 1

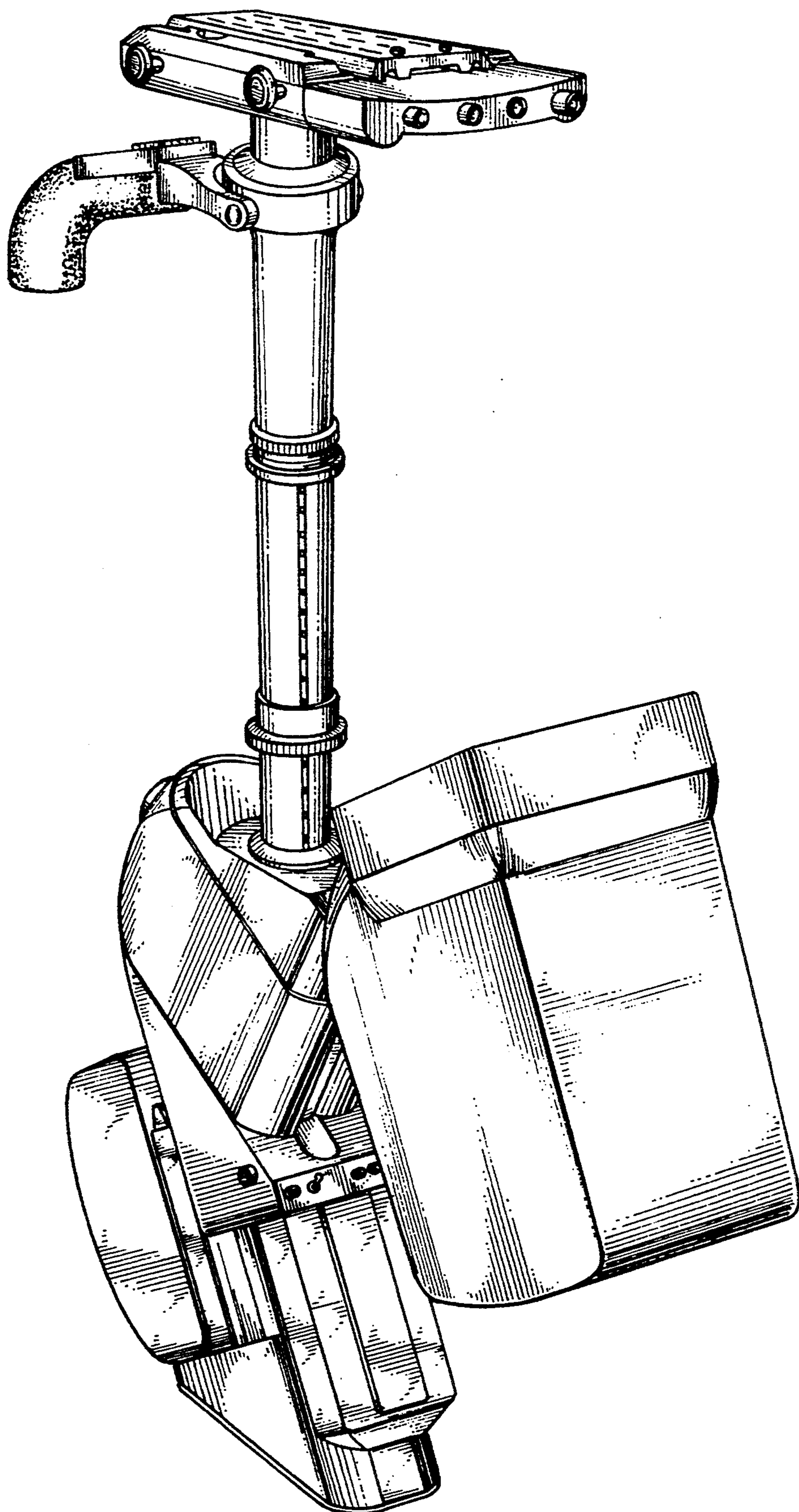


FIG. 2

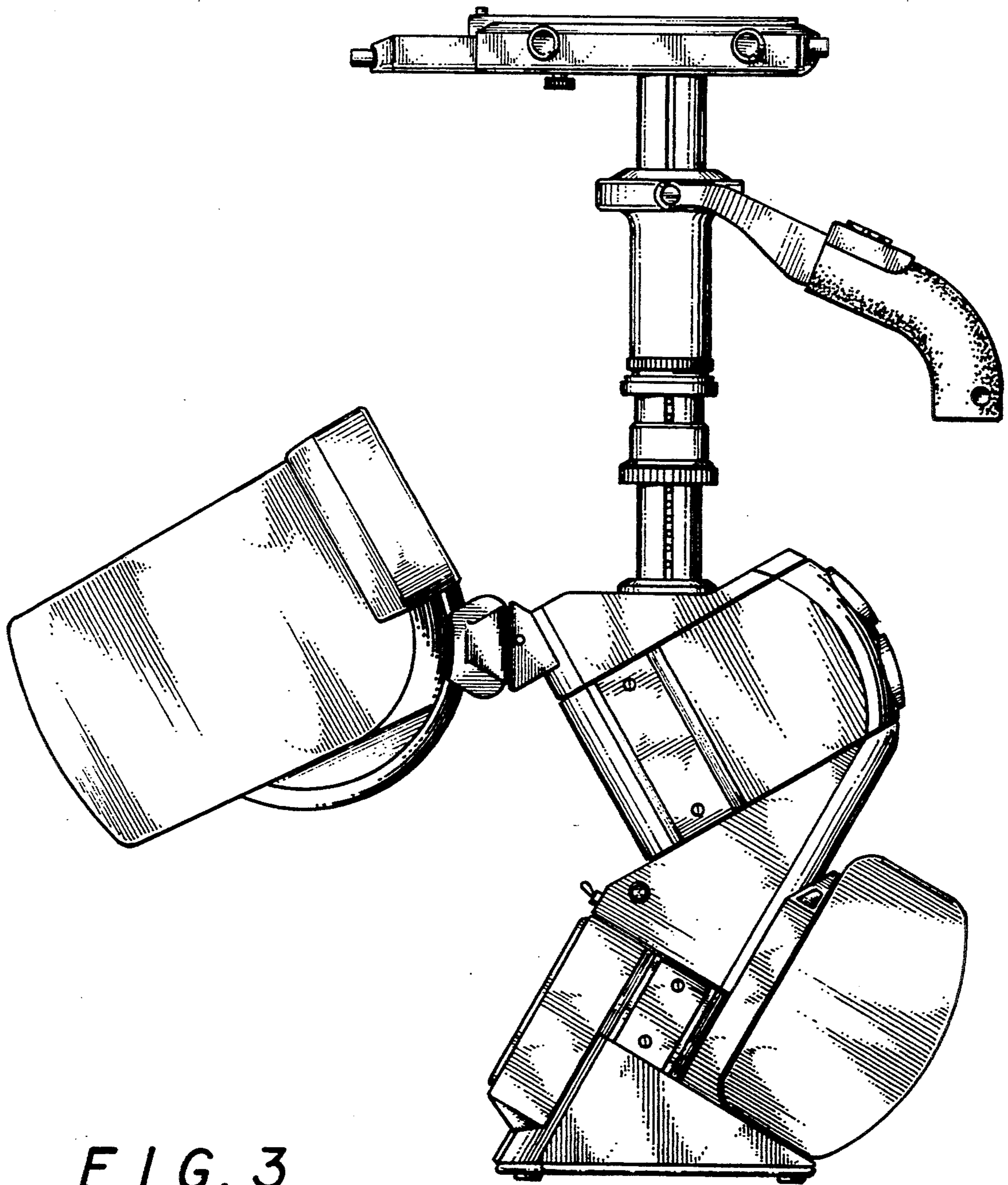


FIG. 3

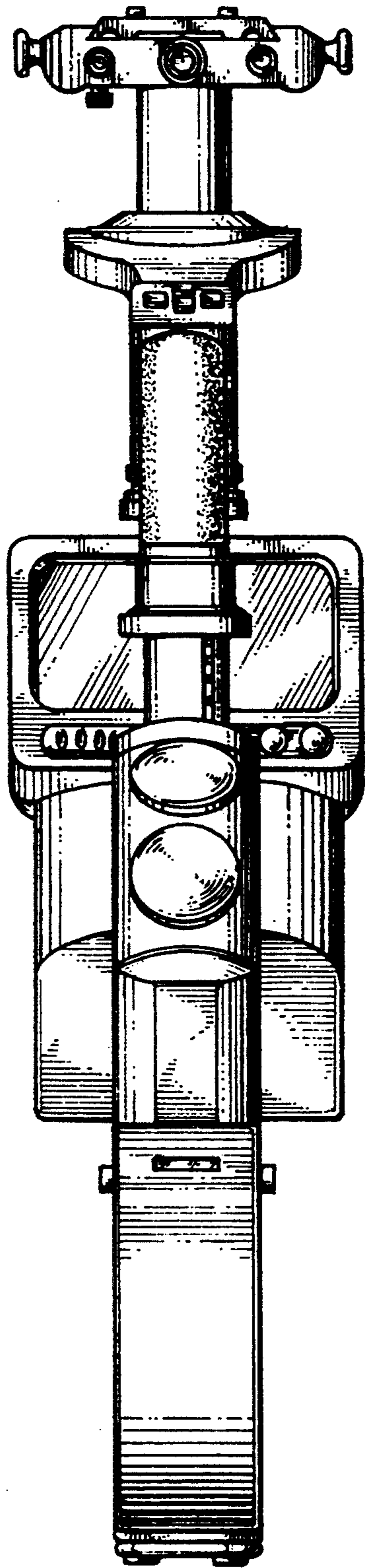


FIG. 4

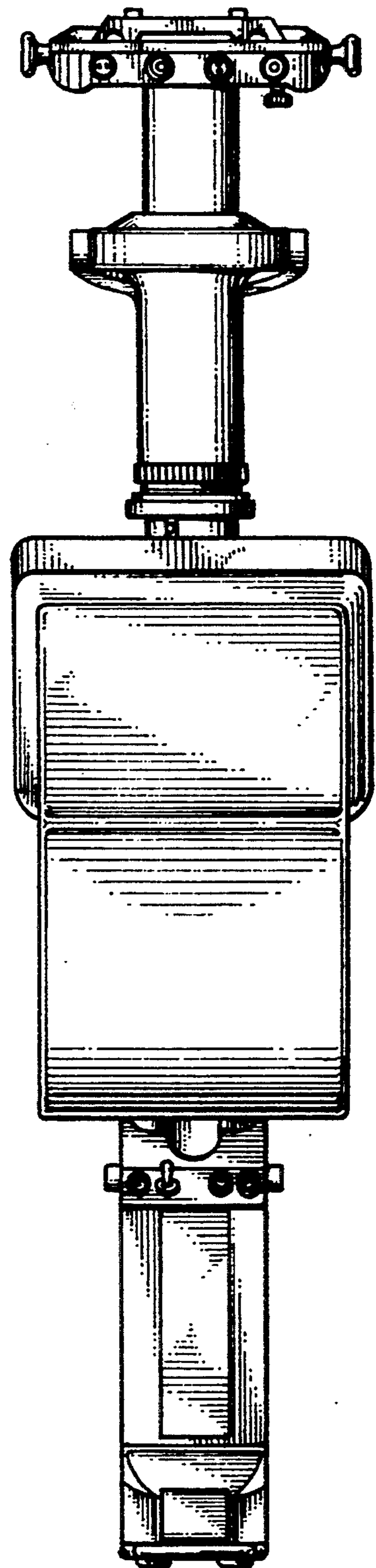


FIG. 5

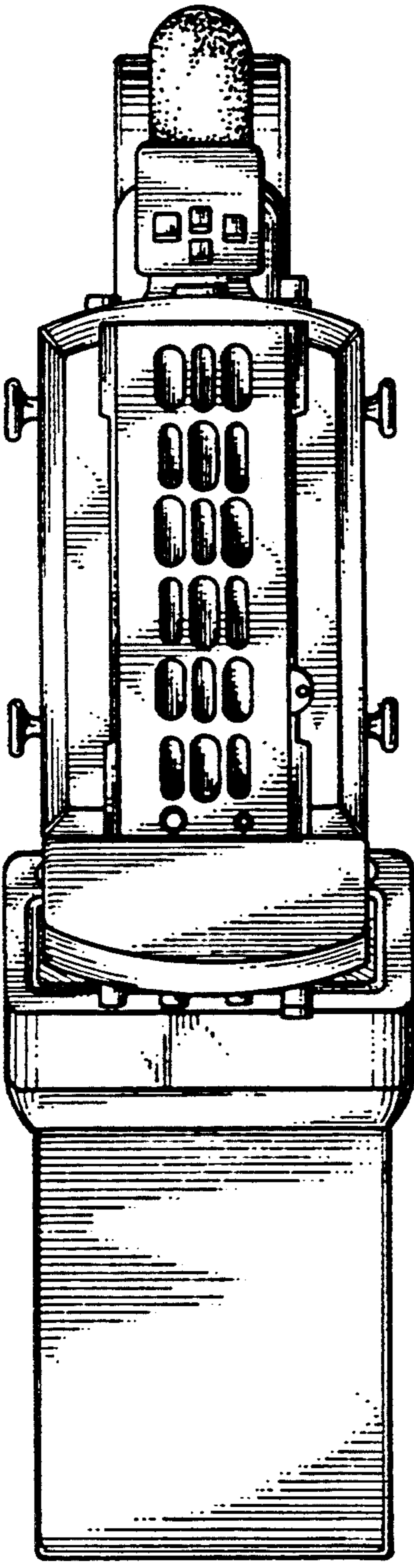


FIG. 6

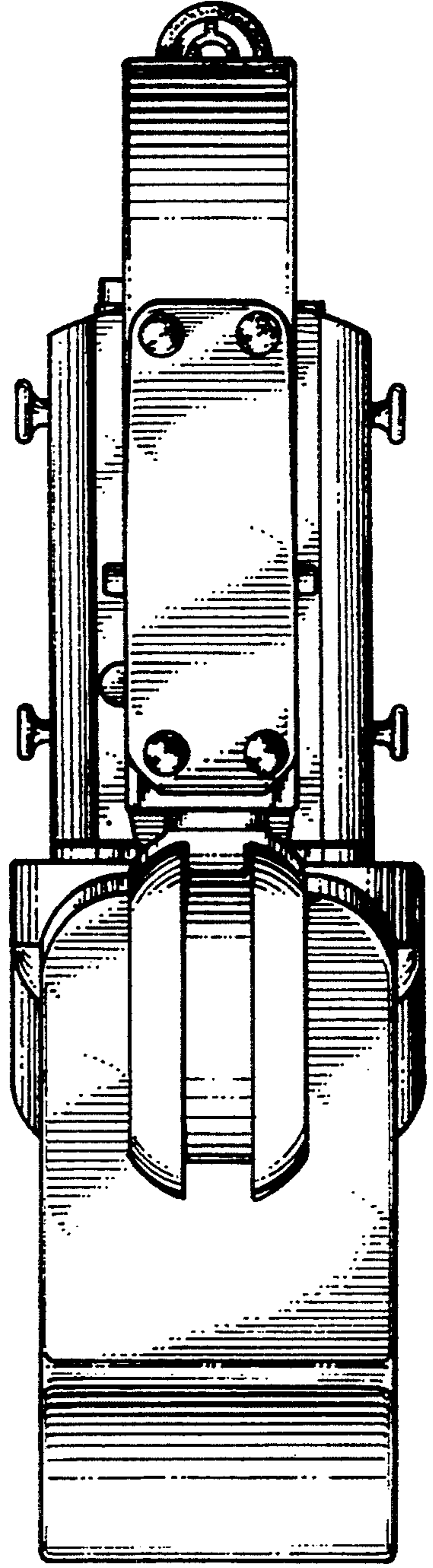


FIG. 7