



US00D358830S

United States Patent [19]

[11] Patent Number: **Des. 358,830**

Dor

[45] Date of Patent: **** May 30, 1995**

[54] **HELMET MOUNT FOR A NIGHT VISION DEVICE**

[75] Inventor: **Amotz Dor, Scottsdale, Ariz.**

[73] Assignee: **Litton Systems, Inc., Woodland Hills, Calif.**

[**] Term: **14 Years**

[21] Appl. No.: **20,643**

[22] Filed: **Mar. 30, 1994**

5,000,544	3/1991	Staveley	359/630
5,179,735	1/1993	Thomanek	359/409 X
5,226,181	7/1993	Polednak et al.	359/409 X
5,307,204	4/1994	Dor	359/400
5,331,459	7/1994	Dor	359/409
5,339,464	8/1994	Dor	359/409

Primary Examiner—Doris V. Coles

Attorney, Agent, or Firm—Poms, Smith, Lande & Rose

[57] CLAIM

The ornamental design of a helmet mount for a night vision device, as shown and described.

Related U.S. Application Data

[63] Continuation of Ser. No. 805,807, Dec. 10, 1991, Pat. No. D. 351,397.

[52] U.S. Cl. **D16/136**

[58] Field of Search D16/130, 136; 359/400, 359/409, 413, 815, 477, 896, 410, 630, 411, 417, 418; 224/181; 250/214 VT; 248/181, 222.1; 2/453, 427, 6.6, 6.2, 6.3, 421, 412, 422

[56] References Cited

U.S. PATENT DOCUMENTS

3,425,769	2/1969	Stone	359/410
4,449,787	5/1984	Burbo et al.	359/480 X
4,670,912	6/1987	Hart	359/815 X
4,703,879	11/1987	Kastendieck et al.	2/6.6 X
4,969,714	11/1990	Fournier, Jr. et al.	359/630

DESCRIPTION

FIG. 1 is a side view of a helmet mount for a night vision device affixed to a helmet worn by a human operator and supporting a night vision device. The broken lines are for purposes of illustration only and form no part of the claimed design;

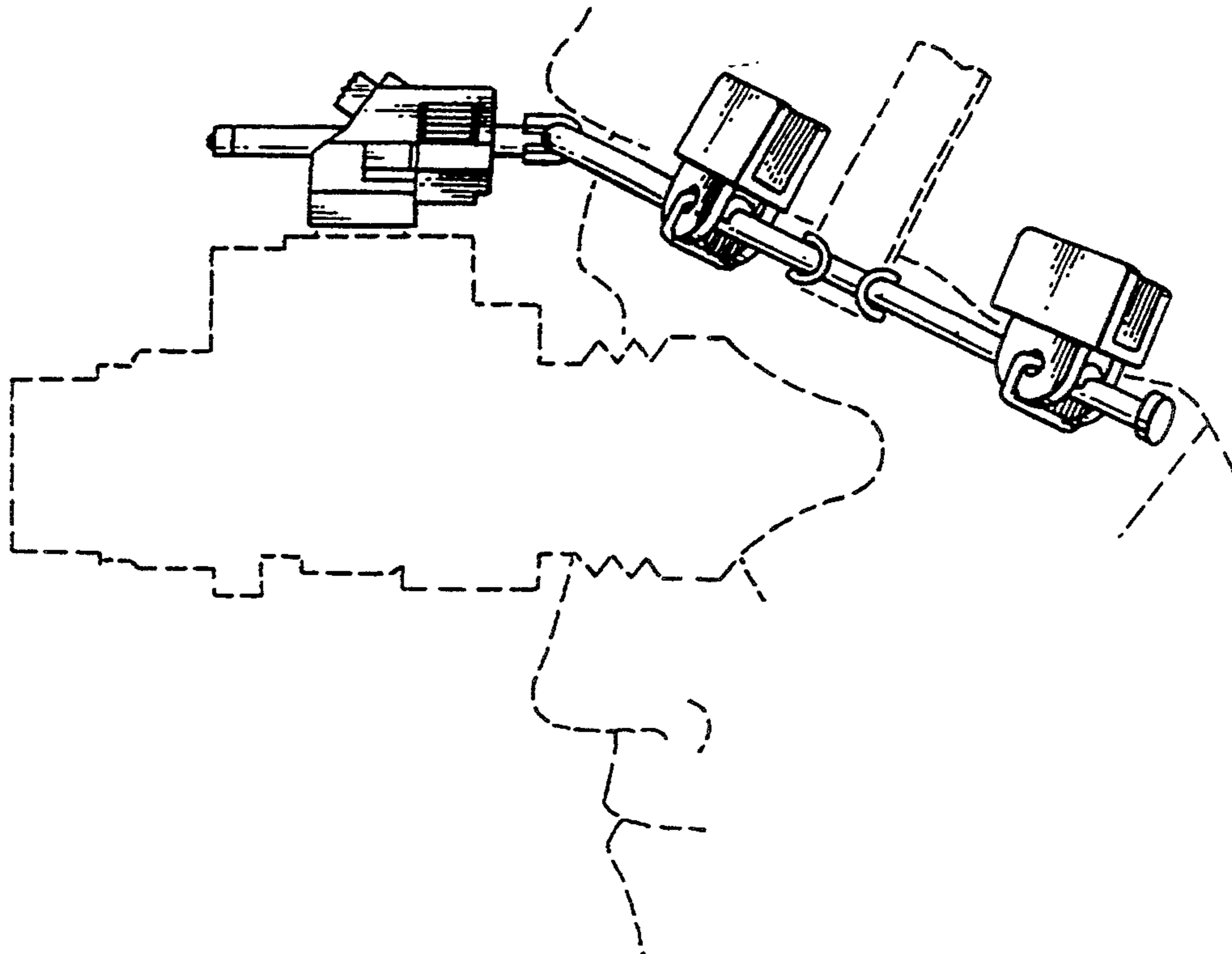
FIG. 2 is a top view of the helmet mount for a night vision device;

FIG. 3 is a front view of the helmet mount for a night vision device;

FIG. 4 is a side view of the helmet mount for a night vision device;

FIG. 5 is a bottom view of the helmet mount for a night vision device; and,

FIG. 6 is a rear view of the helmet mount for a night vision device.



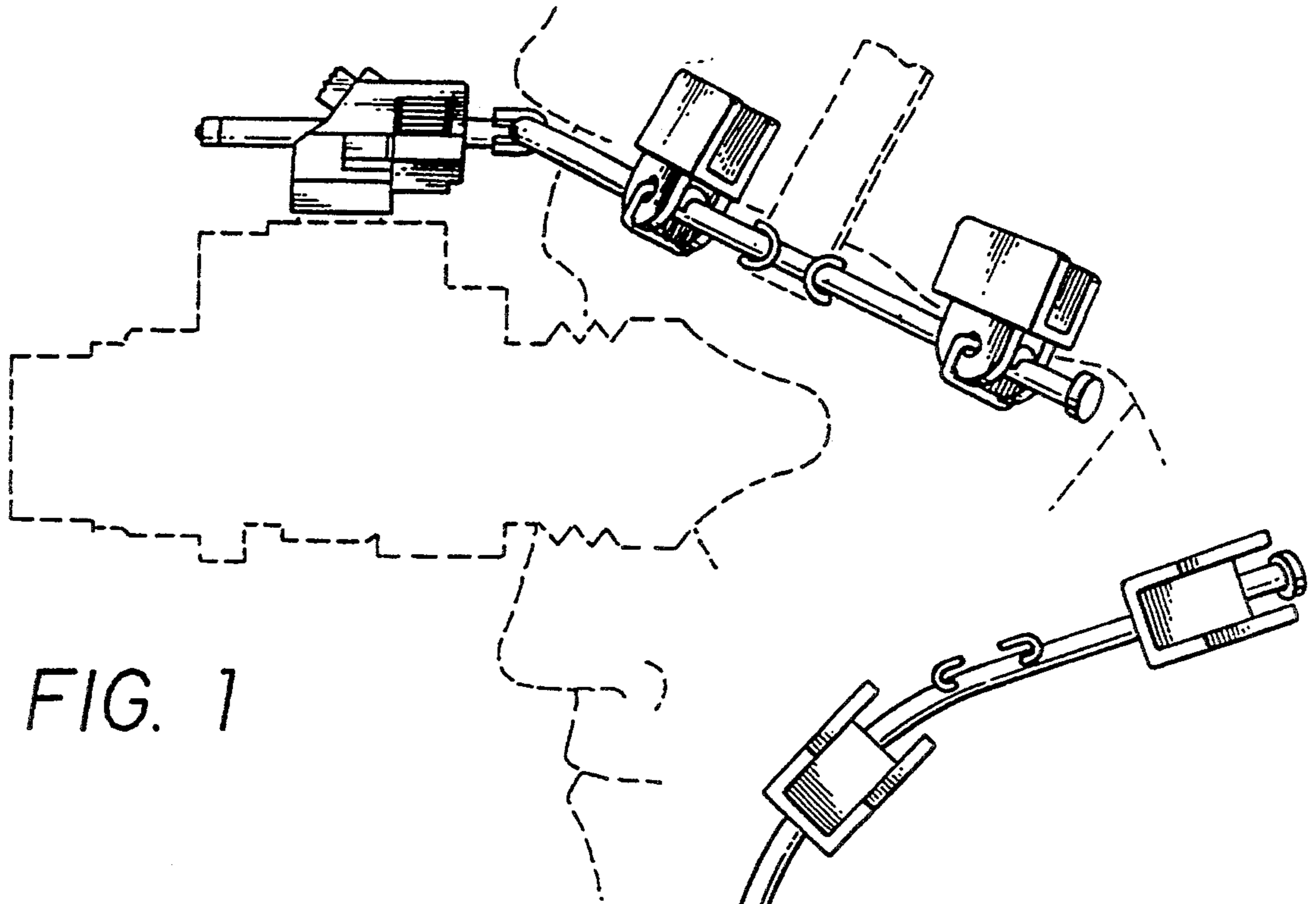


FIG. 1

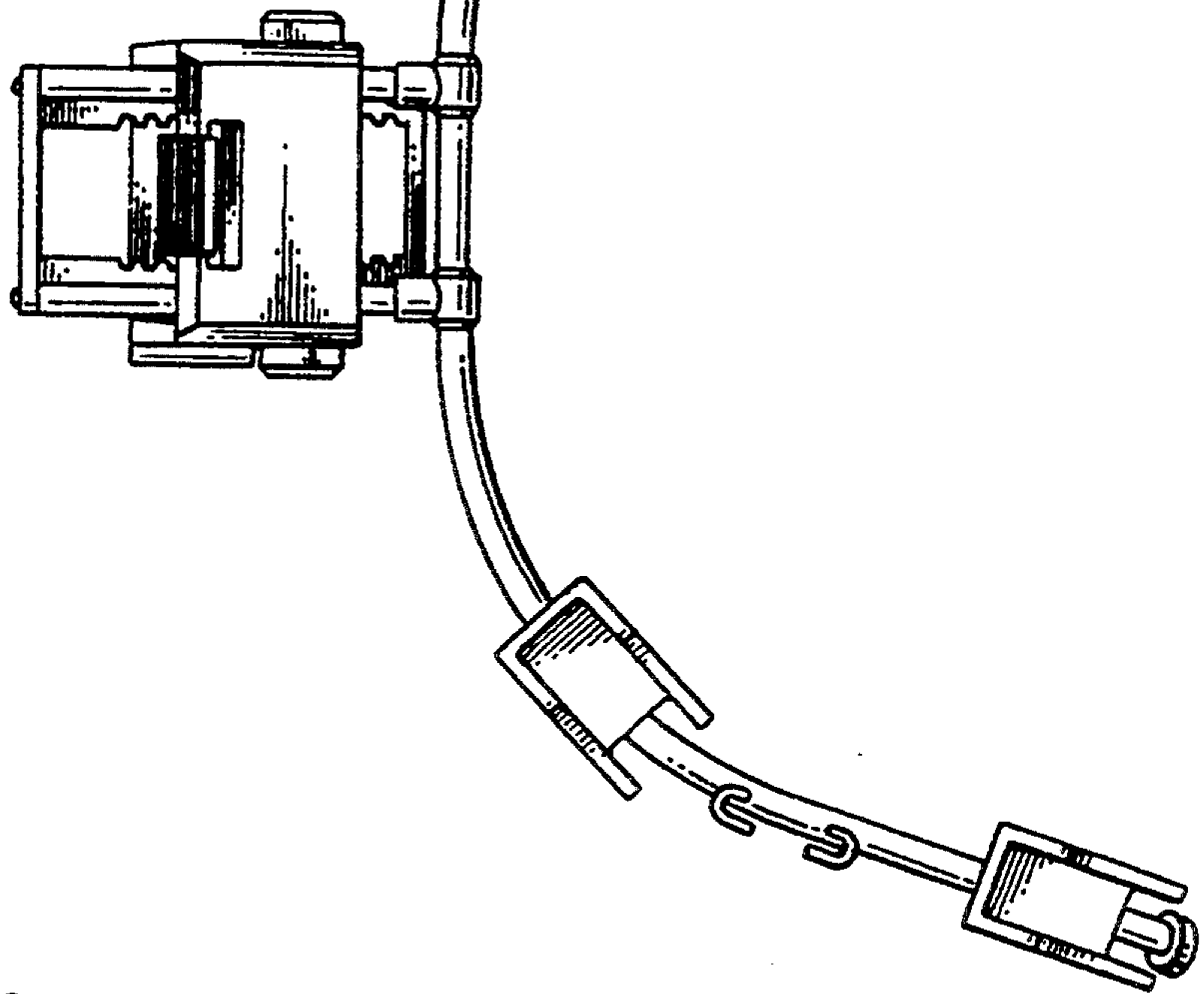


FIG. 2

FIG. 3

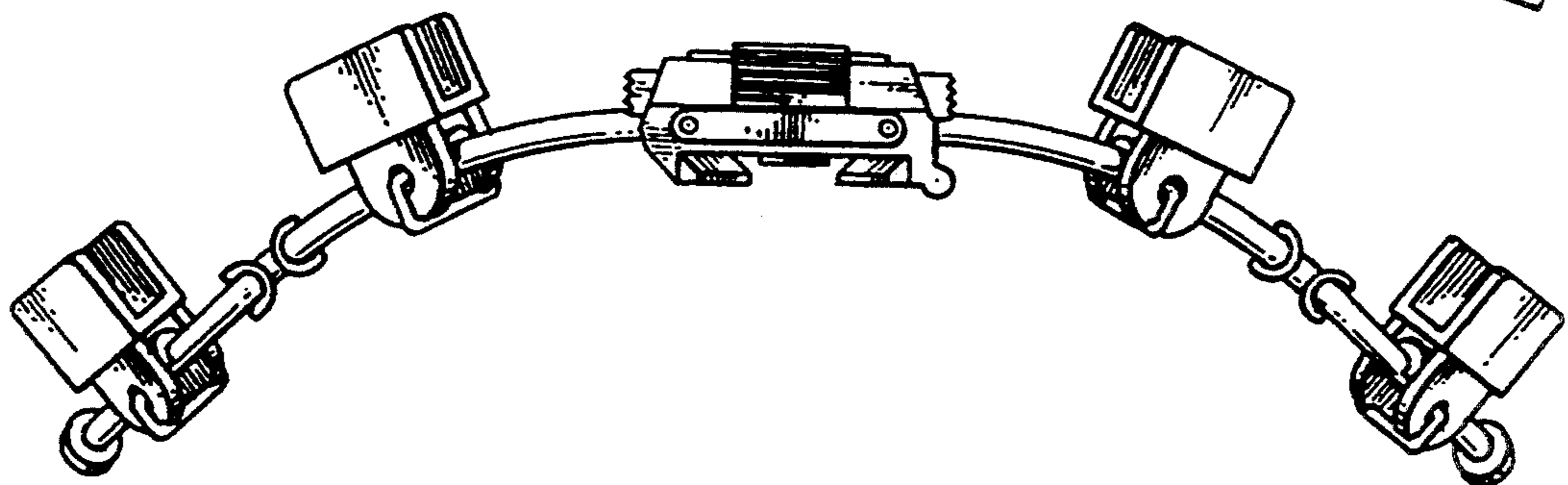


FIG. 4

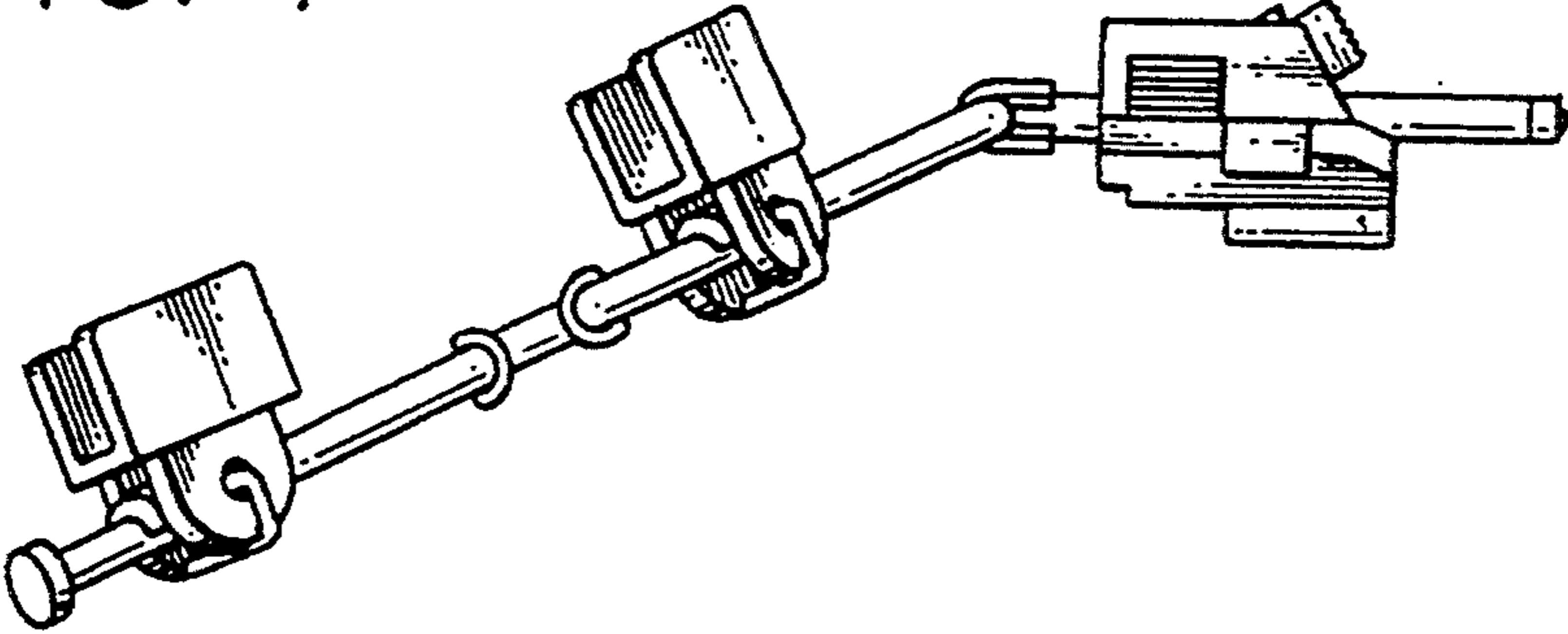


FIG. 5

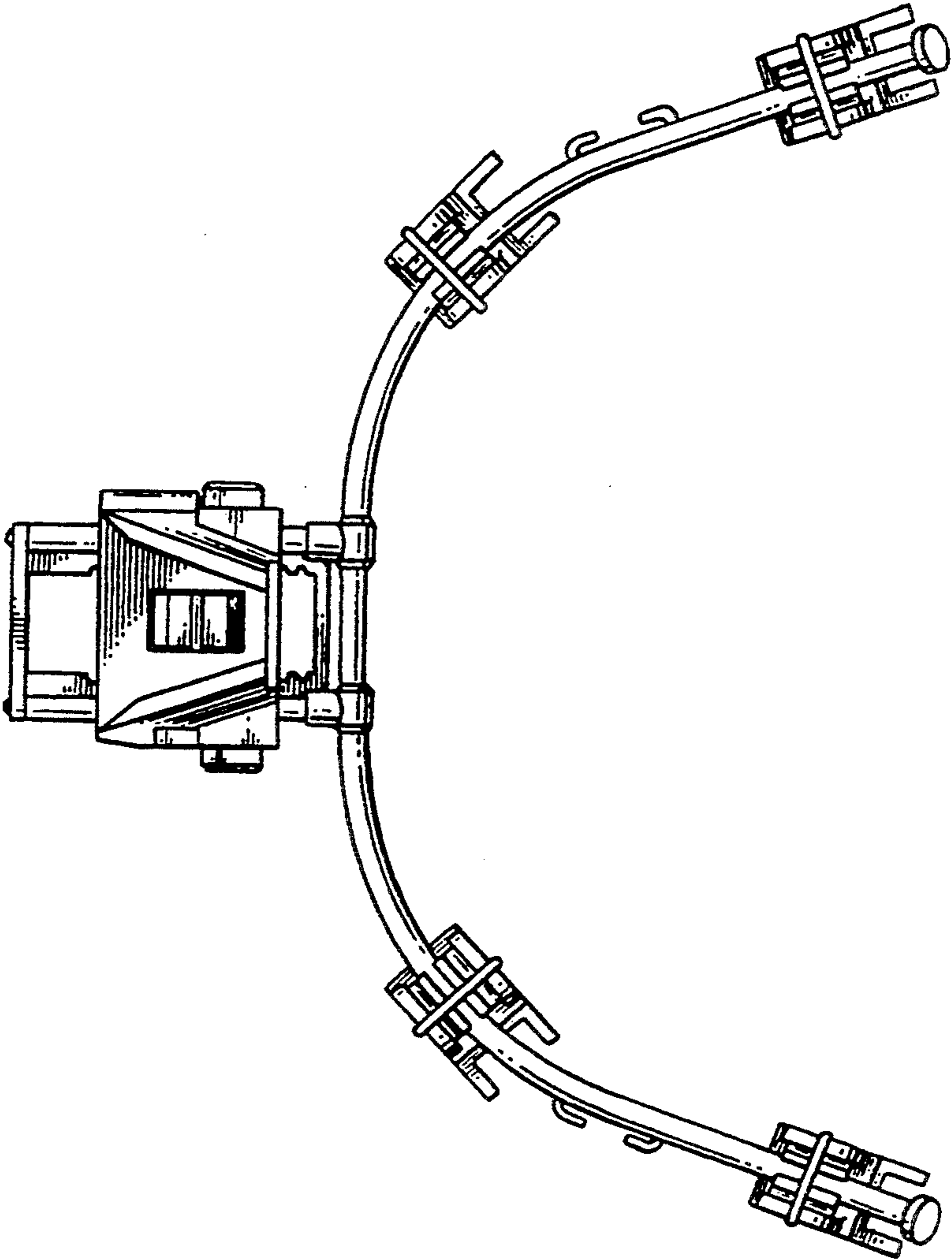


FIG. 6

